



US00D526448S

(12) **United States Design Patent**
Rigler

(10) **Patent No.:** **US D526,448 S**

(45) **Date of Patent:** **** Aug. 8, 2006**

(54) **HELMET MOUNT**

(75) Inventor: **Joeseph W. Rigler**, Rolla, MO (US)

(73) Assignee: **R7BAR, LLC**, Rolla, MO (US)

(**) Term: **14 Years**

(21) Appl. No.: **29/220,207**

(22) Filed: **Dec. 29, 2004**

(51) **LOC (8) Cl.** **29-02**

(52) **U.S. Cl.** **D29/122**

(58) **Field of Classification Search** 362/105-106,
362/191, 197, 199, 427; 224/181; 248/205.1;
D29/102-103, 107-110, 122; D2/891; D24/137,
D24/150, 172; D26/39; 2/6.2, 8, 422, 424,
2/432; 349/14; 219/147
See application file for complete search history.

(56) **References Cited**

U.S. PATENT DOCUMENTS

5,581,806	A	*	12/1996	Capdepuy et al.	2/6.2
5,658,065	A	*	8/1997	Jamieson	362/106
D389,605	S	*	1/1998	Berke	D29/103
D407,537	S	*	4/1999	Simpson	D2/891

D412,611	S	*	8/1999	Simpson	D2/891
D448,100	S	*	9/2001	Husband	D26/39
6,604,837	B1	*	8/2003	Sandberg	362/191
6,616,294	B1	*	9/2003	Henry	362/106
D481,303	S	*	10/2003	Fell et al.	D8/395
6,752,510	B1	*	6/2004	Appiah	362/106
6,862,748	B1	*	3/2005	Prendergast	2/422
6,951,409	B1	*	10/2005	Hsien	362/191
7,004,439	B1	*	2/2006	Taylor et al.	248/548

OTHER PUBLICATIONS

www.mountsplus.com, "lightlink helmet mount", copyright 2004, 1 pg.*

* cited by examiner

Primary Examiner—Ruth McInroy

(74) *Attorney, Agent, or Firm*—Michael W. York

(57) **CLAIM**

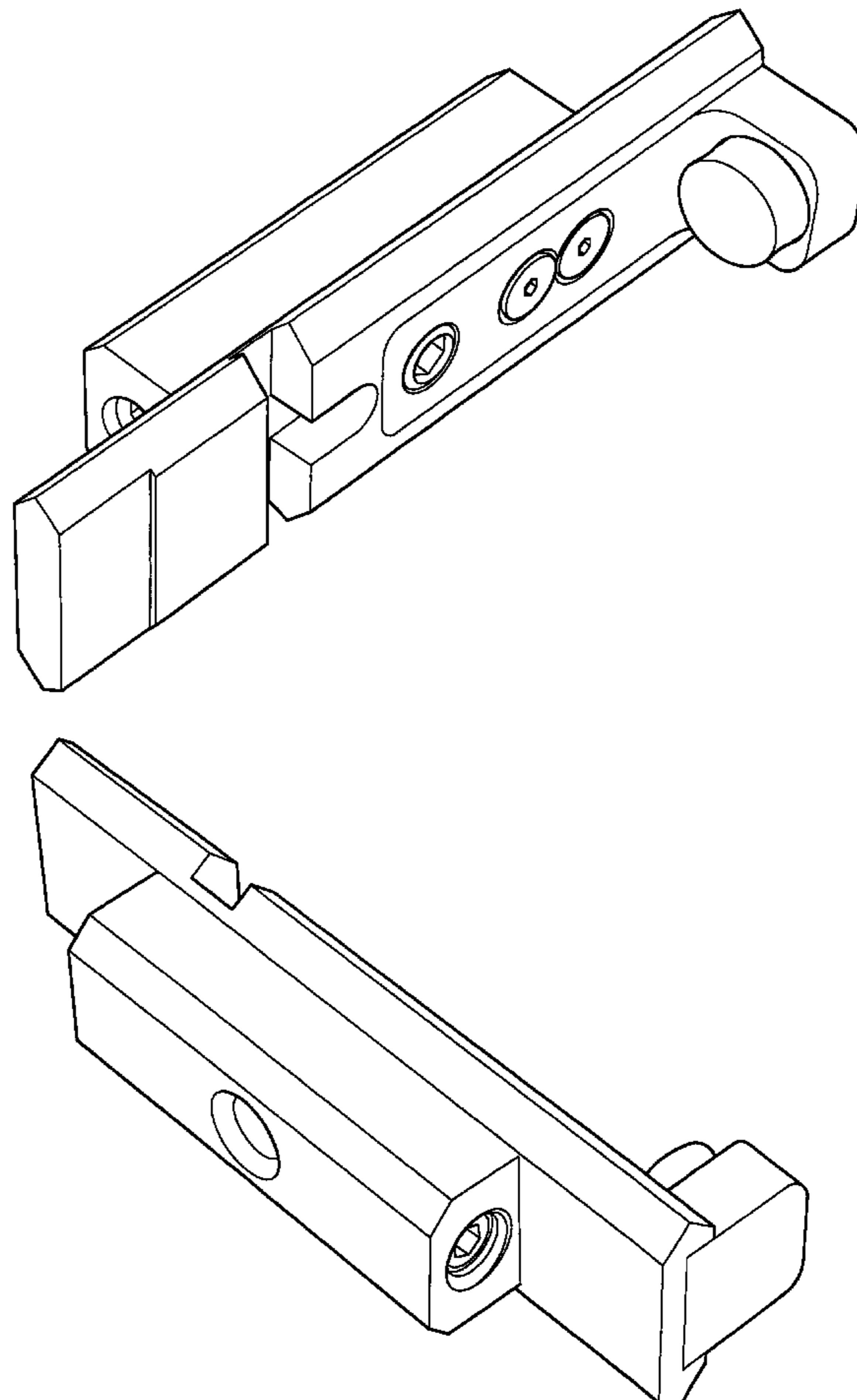
The ornamental design for a helmet mount, as shown.

DESCRIPTION

FIG. 1 is a front perspective view of a helmet mount, showing my new design; and,

FIG. 2 is a rear perspective view thereof.

1 Claim, 2 Drawing Sheets



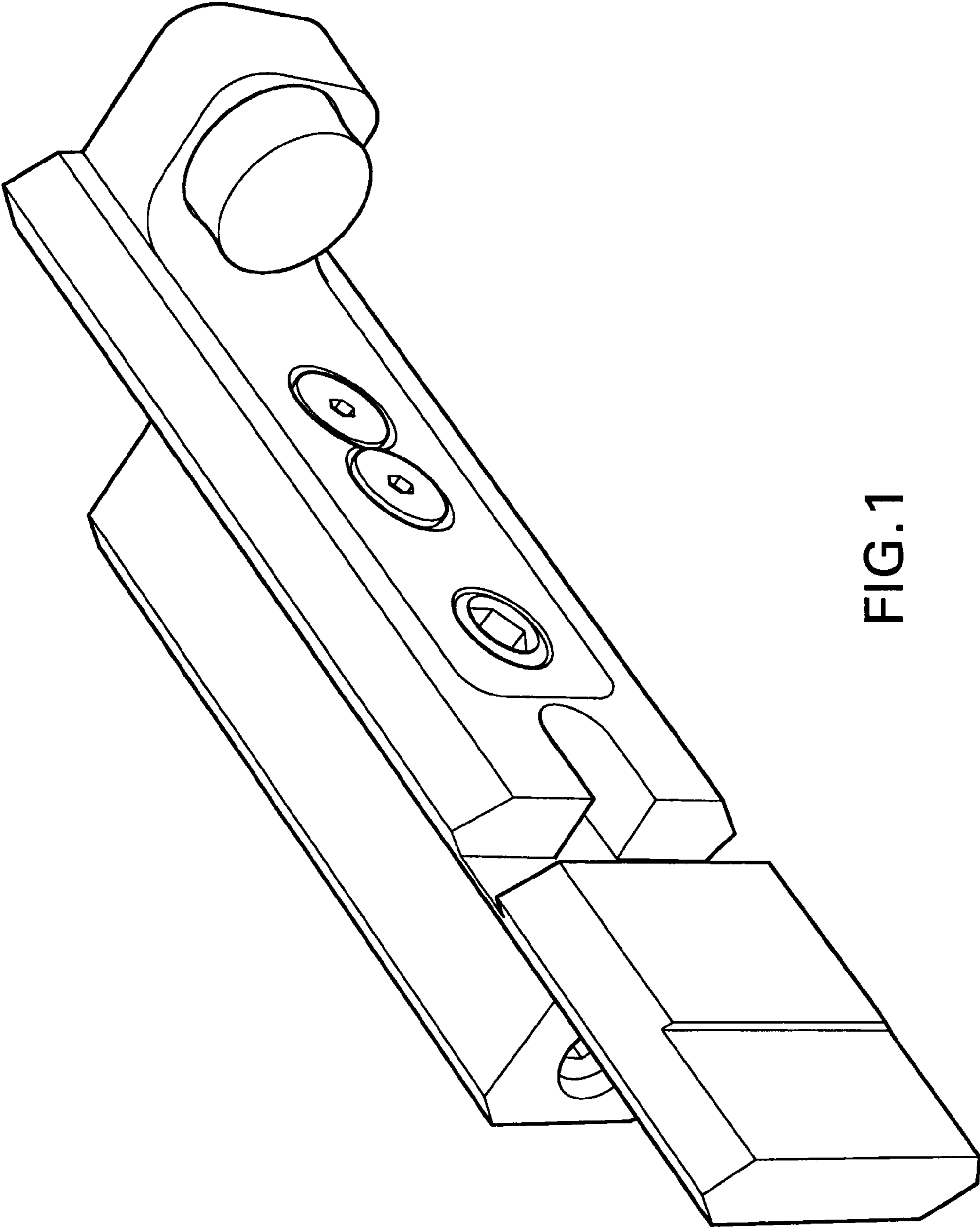


FIG. 1

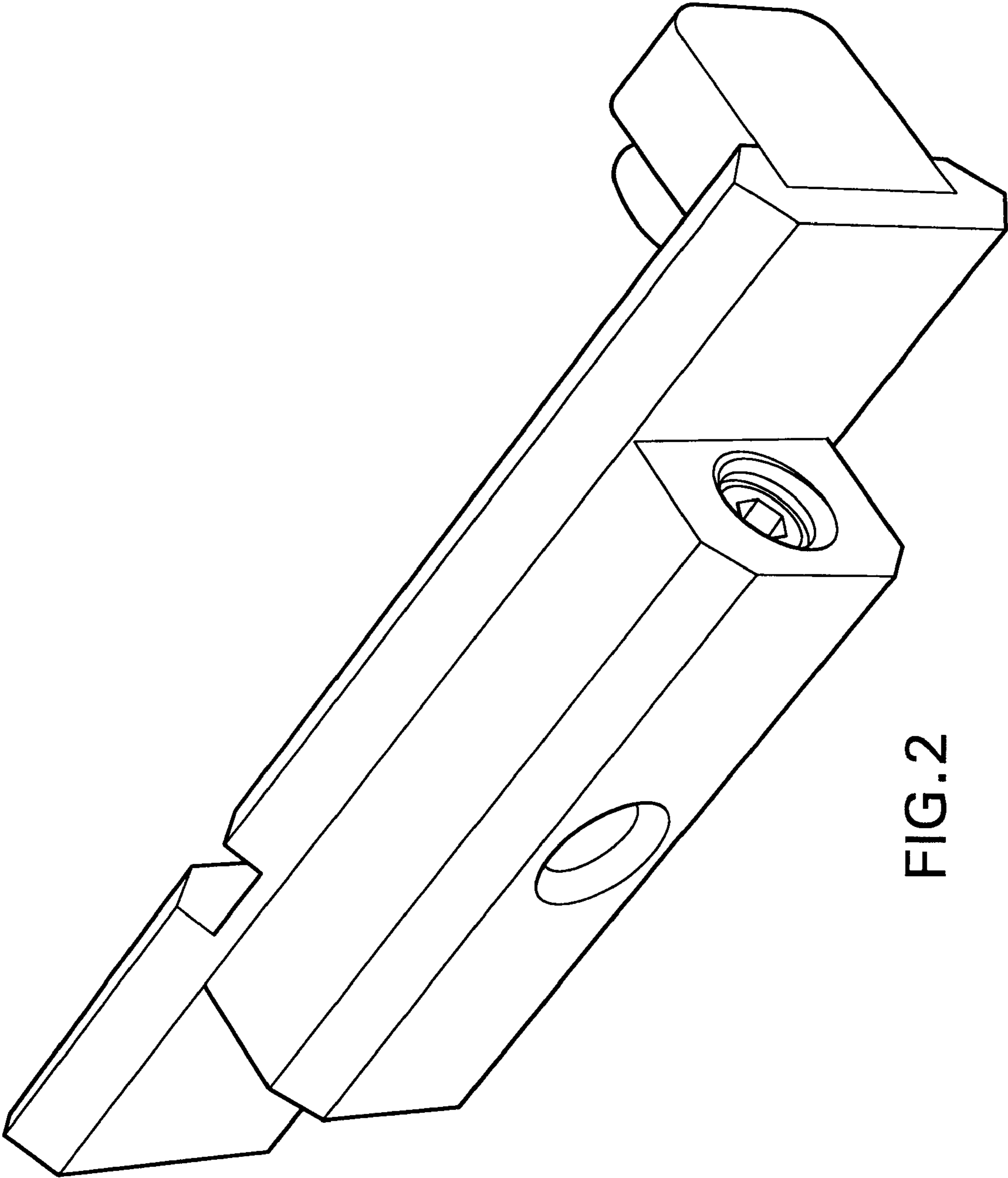


FIG. 2