

US00D526442S

(12) **United States Design Patent**
Kim

(10) **Patent No.:** **US D526,442 S**

(45) **Date of Patent:** **** Aug. 8, 2006**

(54) **HAIR CLIP**

6,311,699 B1 * 11/2001 Horman 132/278
D463,621 S * 9/2002 Tobin D28/41

(76) Inventor: **Kathryn Kim**, 600 S. Carson Ave.
#549, Los Angeles, CA (US) 90036

* cited by examiner

(**) Term: **14 Years**

Primary Examiner—Caron D. Veynar

Assistant Examiner—Zenita I Bennett

(21) Appl. No.: **29/243,403**

(74) *Attorney, Agent, or Firm*—Edgar W. Averill, Jr.;
Kenneth L. Green

(22) Filed: **Nov. 25, 2005**

(57) **CLAIM**

(51) **LOC (8) Cl.** **28-03**

The ornamental design for a hair clip, as shown.

(52) **U.S. Cl.** **D28/41**

(58) **Field of Classification Search** D28/25,
D28/32, 33, 39, 40, 41, 43; D2/865; D11/184,
D11/202; 132/101, 126, 128, 129, 130, 131,
132/144, 148, 219, 273–284; 428/4, 5
See application file for complete search history.

DESCRIPTION

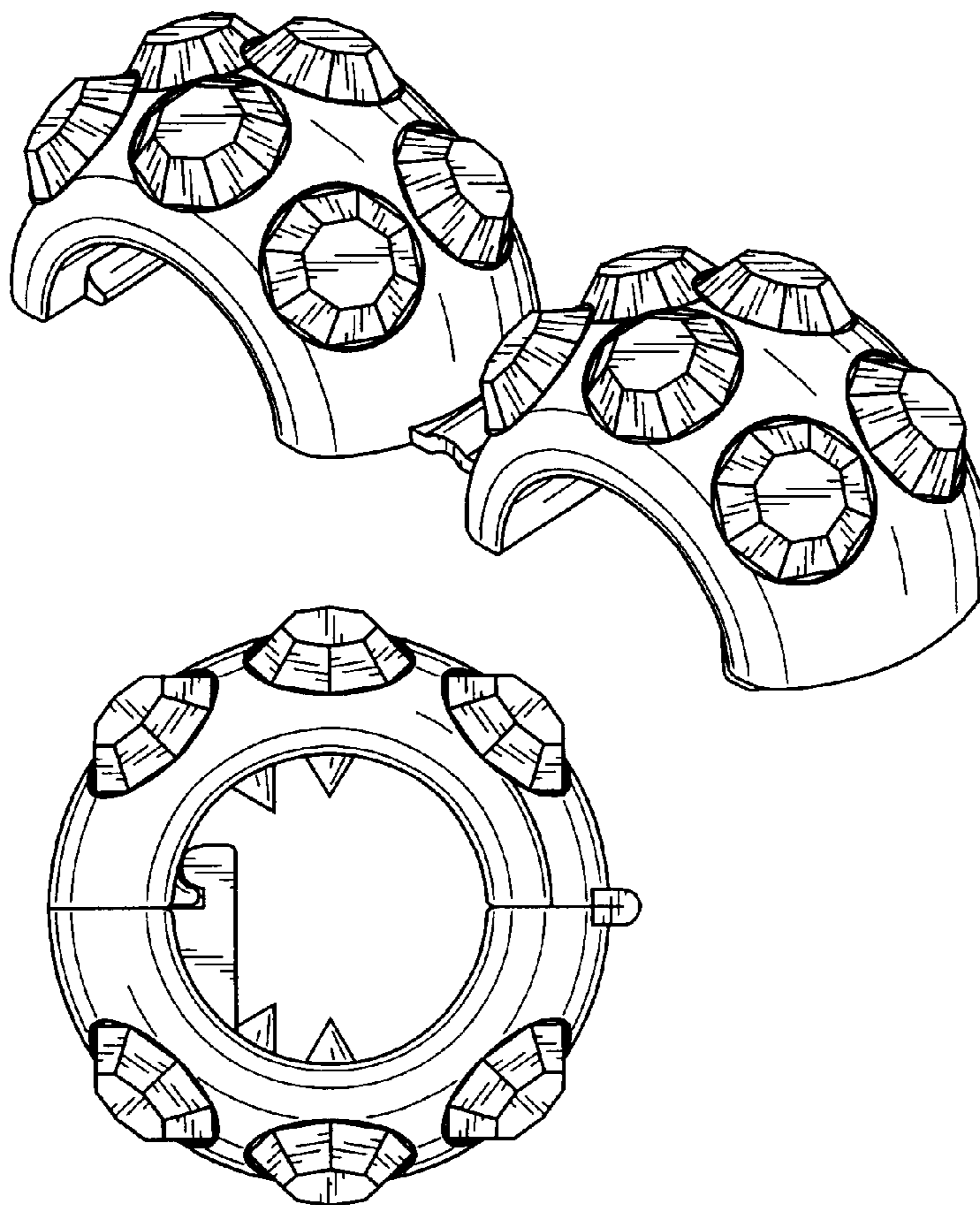
FIG. 1 is a perspective view showing the top and outer surfaces of a hair clip showing my new design;
FIG. 2 is a top plan view thereof with the hair clip open;
FIG. 3 is a front elevation view thereof with the hair clip open;
FIG. 4 is a left side view thereof with the hair clip open;
FIG. 5 is a right side view thereof with the hair clip open;
FIG. 6 is a bottom view thereof with the hair clip open;
FIG. 7 is a front elevation view thereof with the hair clip closed;
FIG. 8 is a top plan view thereof with the hair clip closed;
FIG. 9 is a right side thereof with the hair clip closed; and,
FIG. 10 is a left side thereof with the clip closed.

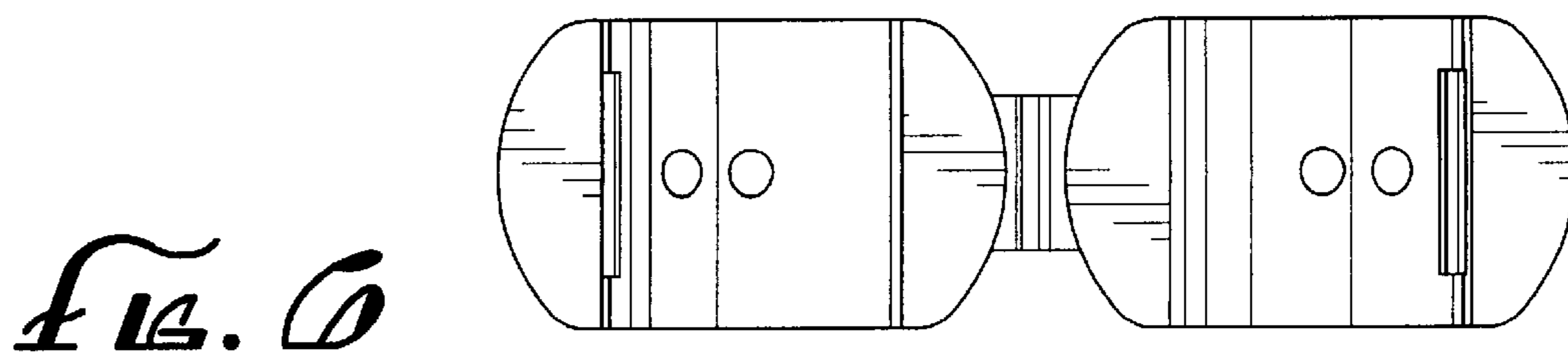
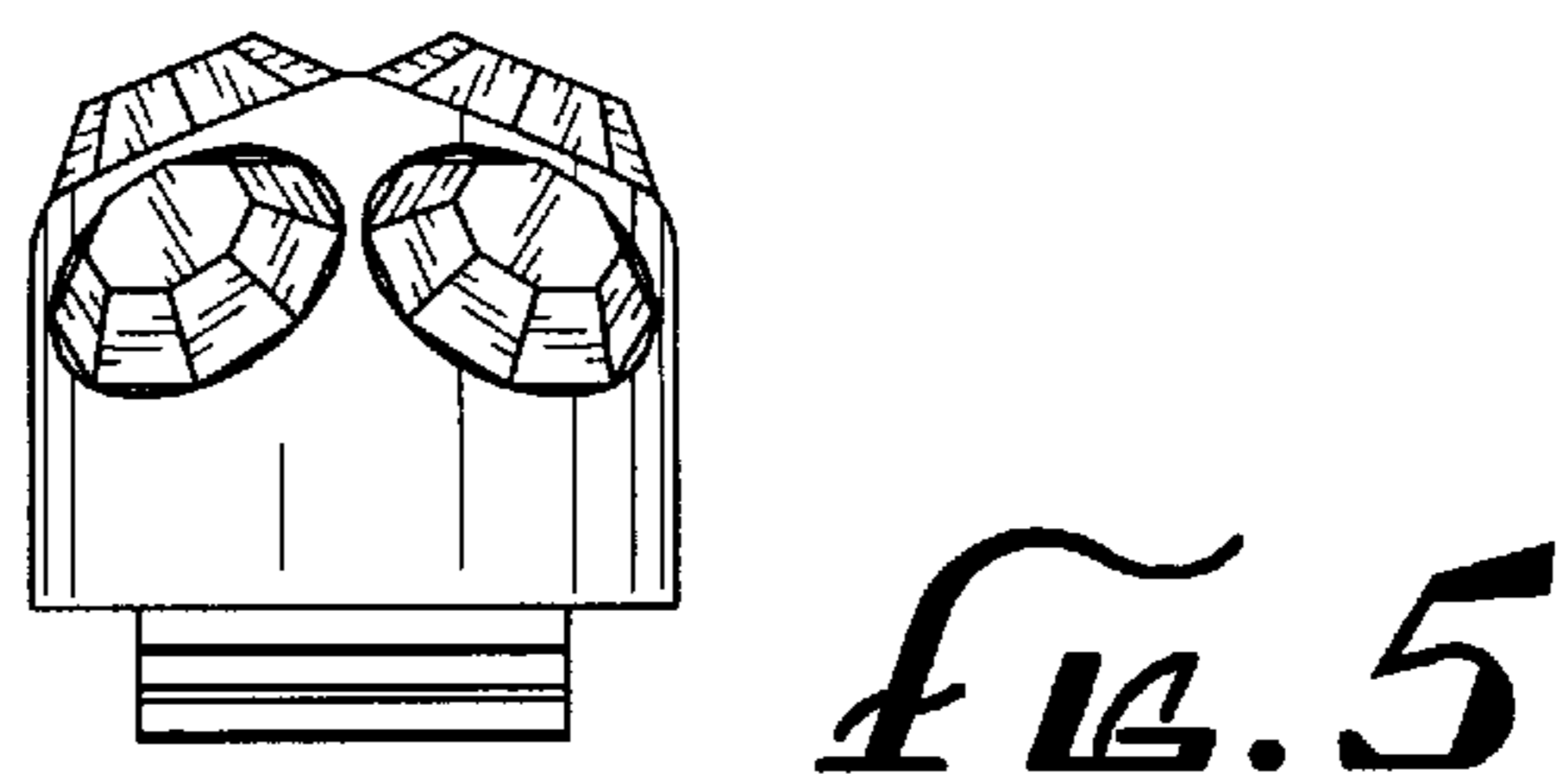
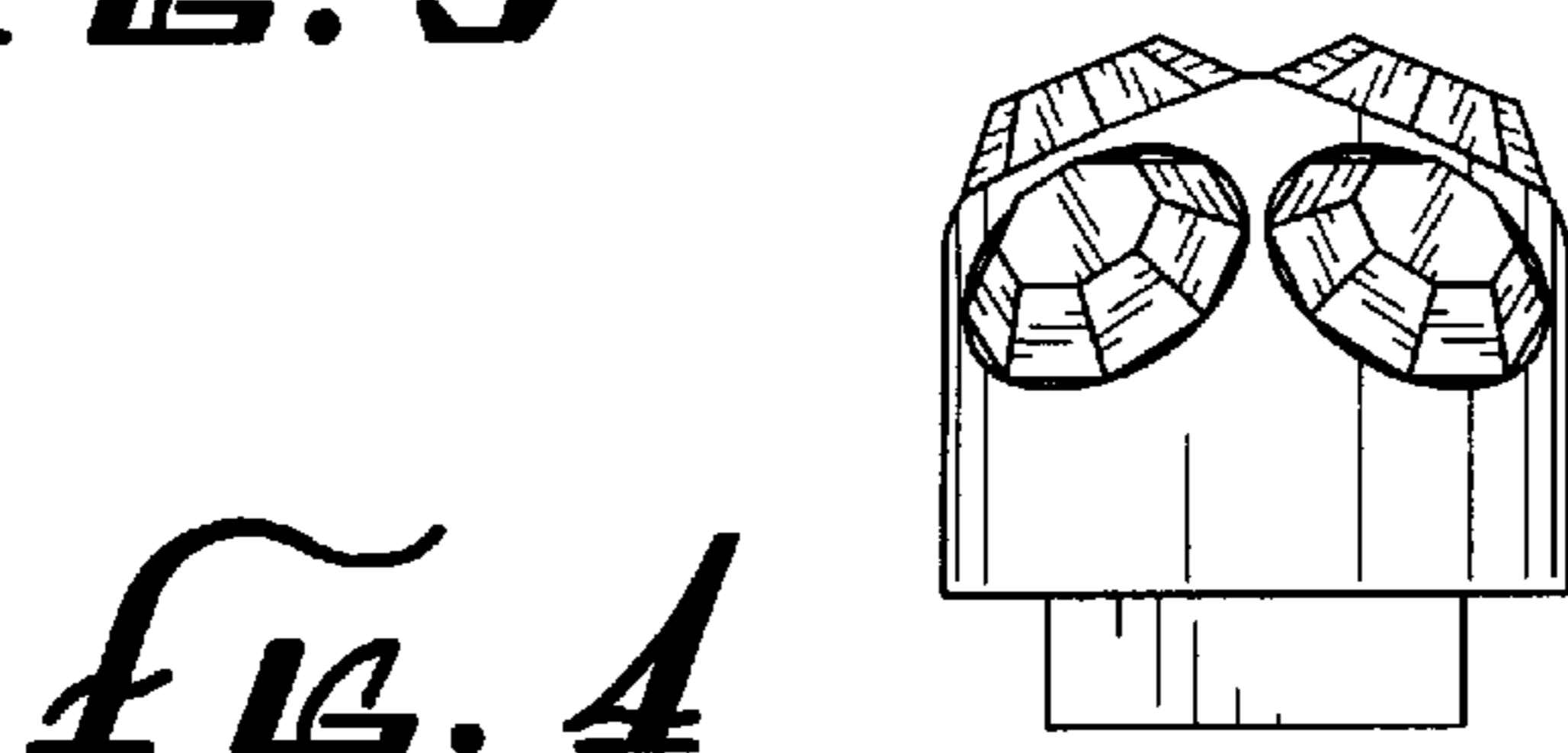
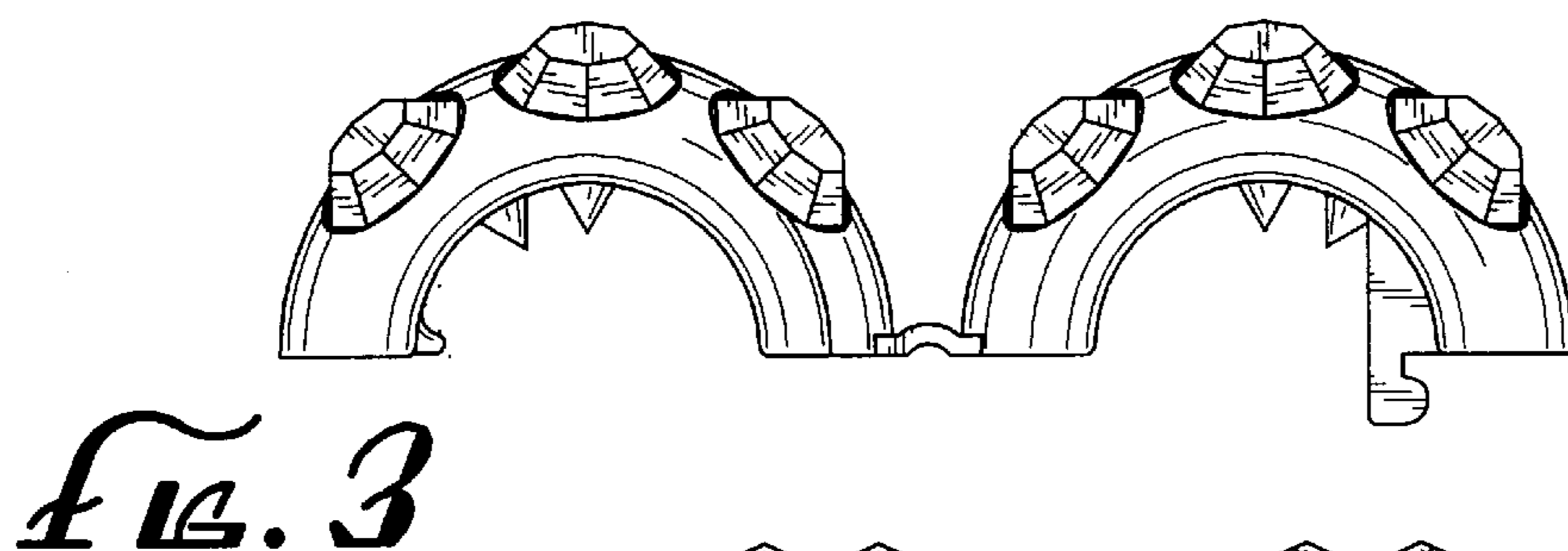
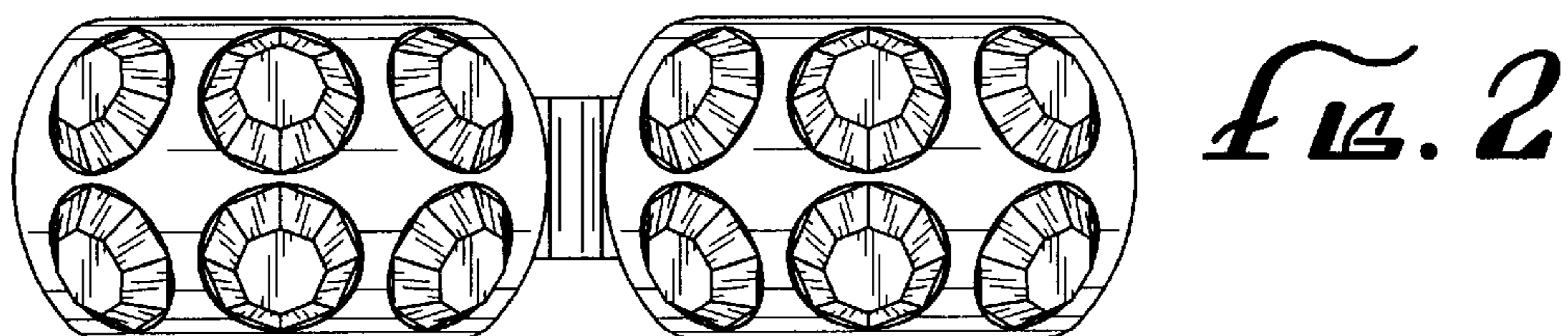
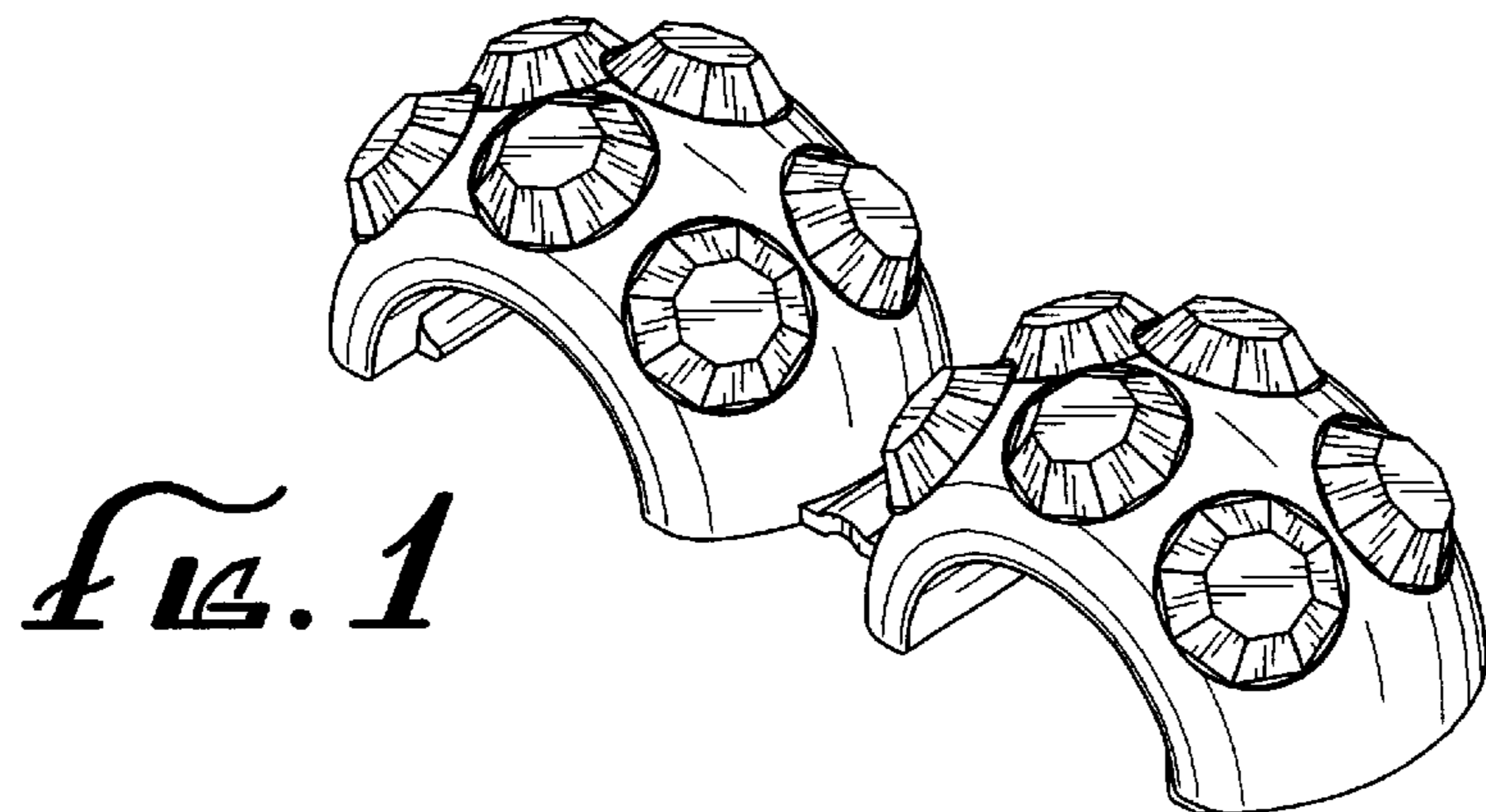
(56) **References Cited**

U.S. PATENT DOCUMENTS

D154,205 S	*	6/1949	Kovacs	D28/23
D168,449 S	*	12/1952	Honig	D28/39
D180,713 S	*	7/1957	Hammond	D28/23
4,912,944 A	*	4/1990	Crosley et al.	63/29.2
D322,145 S	*	12/1991	Coignard	D28/42
5,261,428 A	*	11/1993	Wu	132/281
5,590,668 A	*	1/1997	Macy	132/200
5,937,867 A	*	8/1999	Williams	132/201

1 Claim, 2 Drawing Sheets





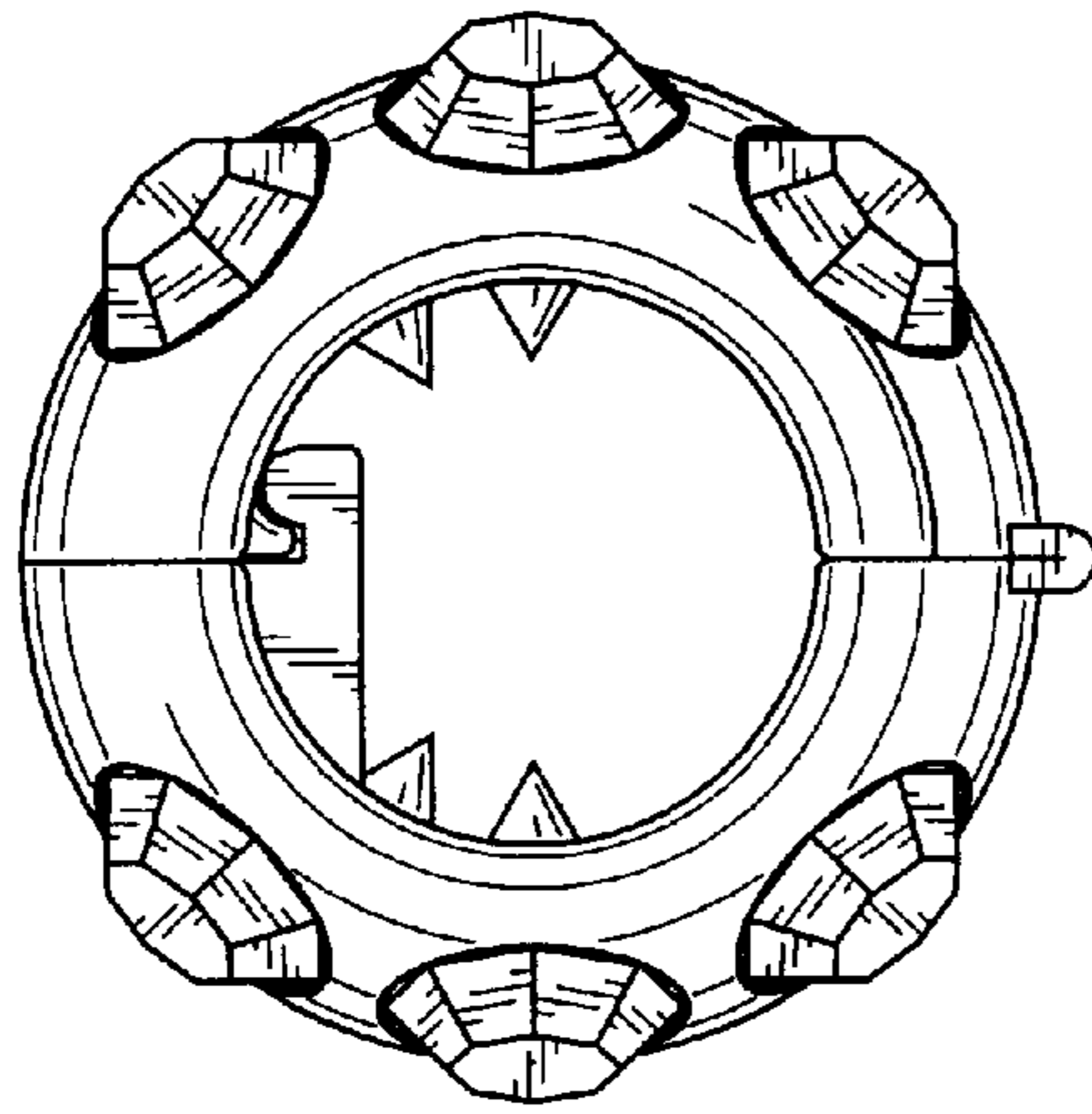


FIG. 7

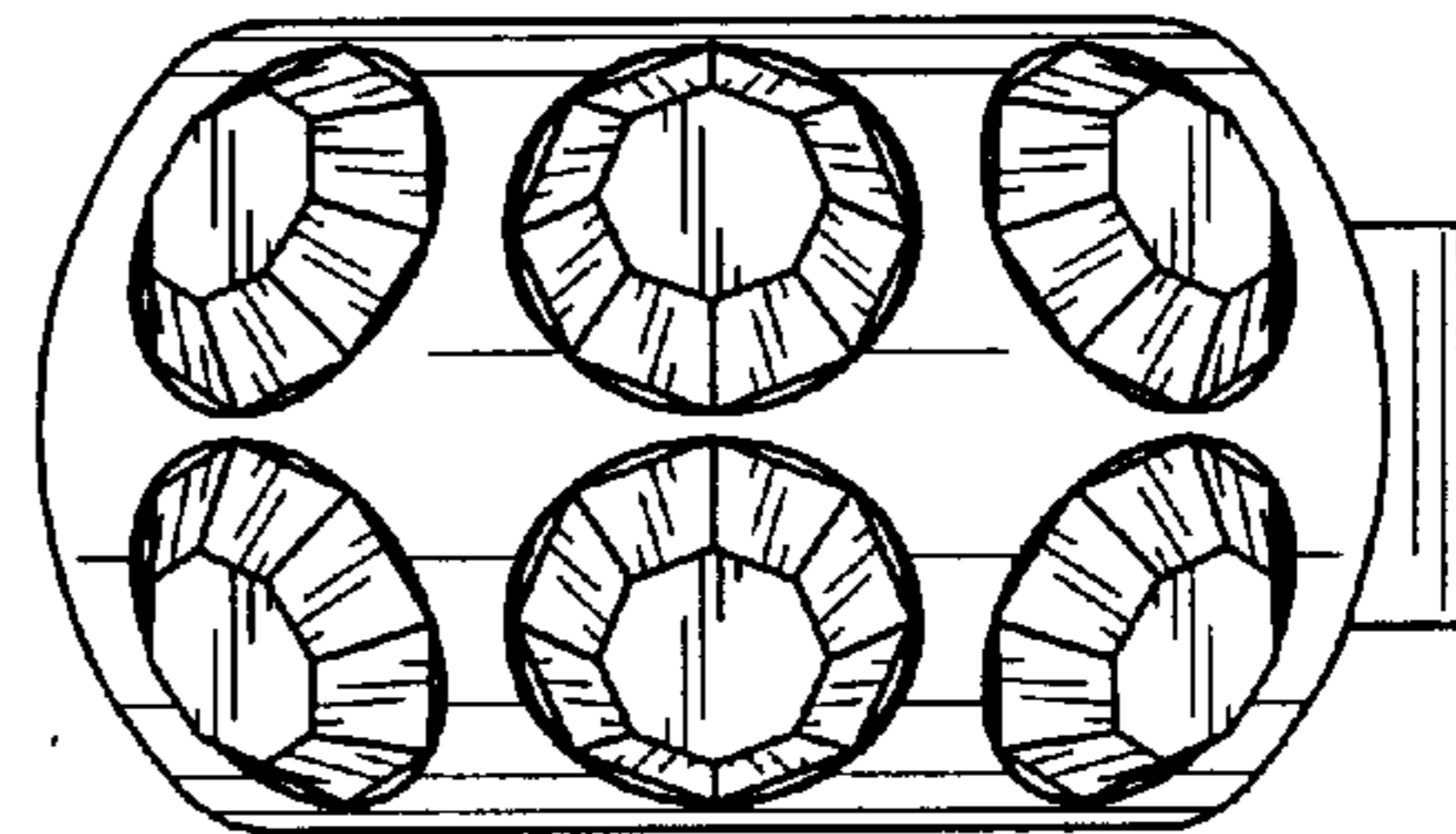


FIG. 8

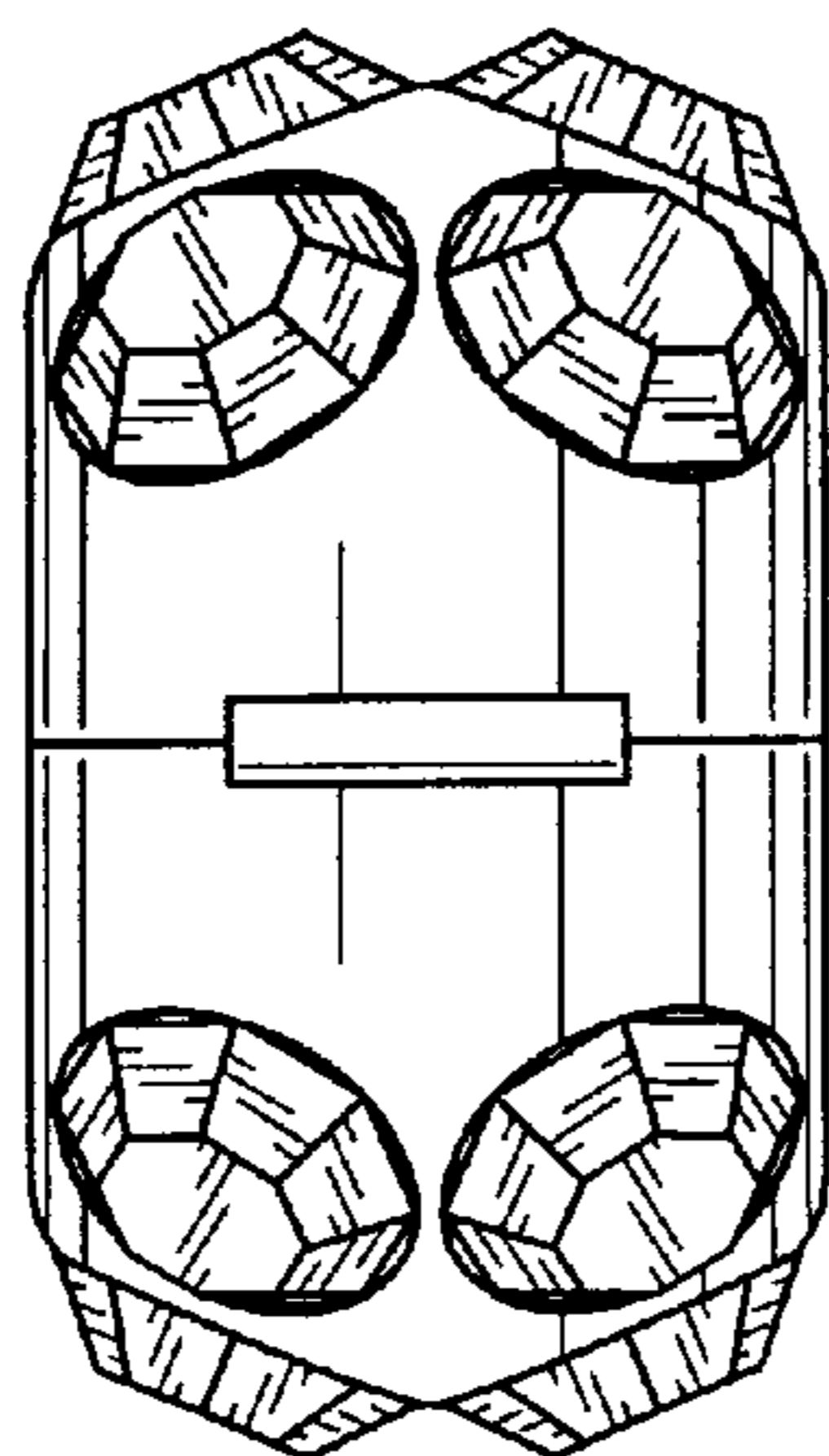


FIG. 9

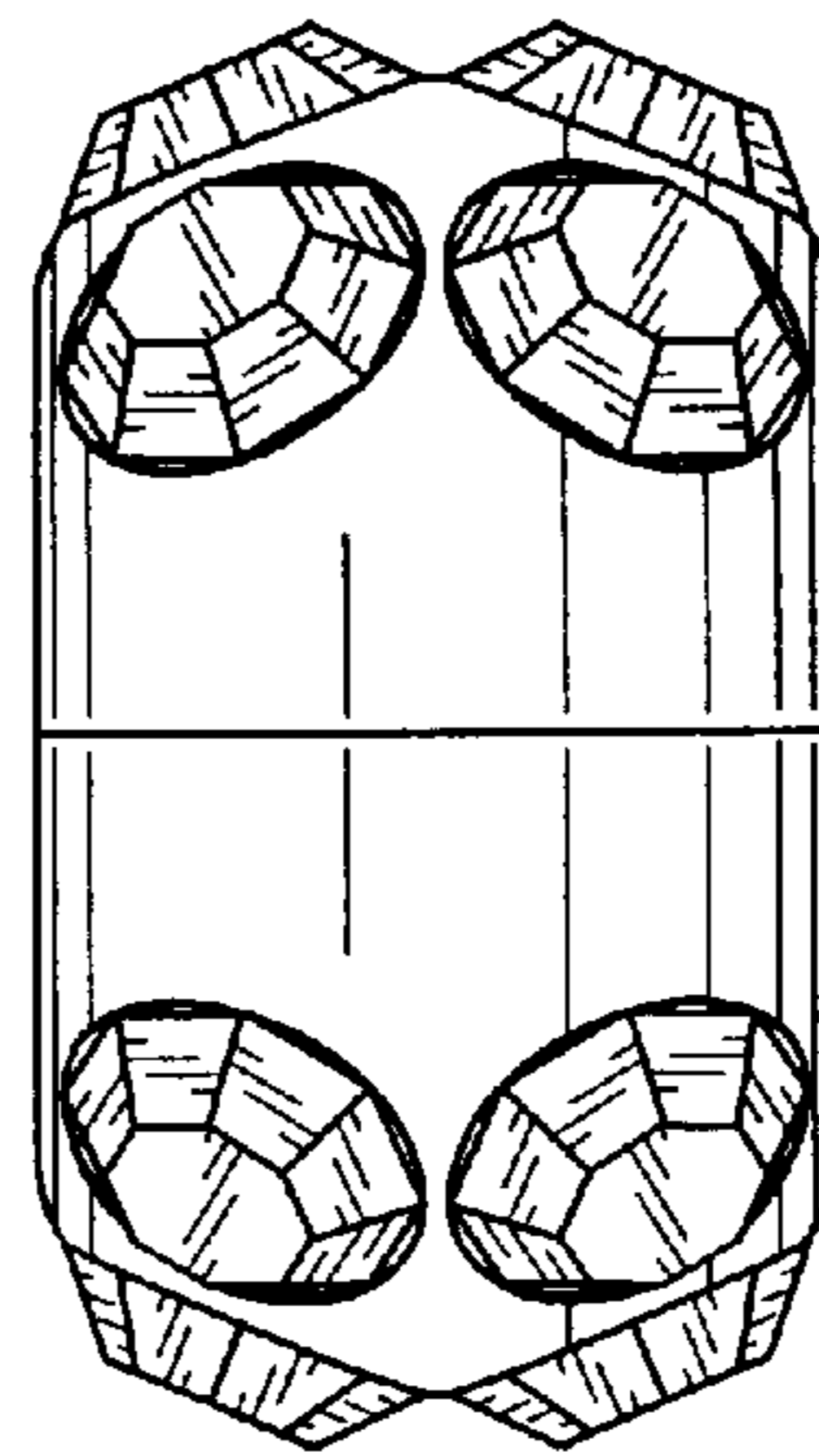


FIG. 10