



US00D526441S

(12) **United States Design Patent**
Smith

(10) **Patent No.:** **US D526,441 S**

(45) **Date of Patent:** **** Aug. 8, 2006**

(54) **LIGHTER**

(75) Inventor: **Andrew D. Smith**, Pascoag, RI (US)

(73) Assignee: **Colibri Corporation**, Providence, RI (US)

(**) Term: **14 Years**

(21) Appl. No.: **29/227,918**

(22) Filed: **Apr. 18, 2005**

(51) **LOC (8) Cl.** **27-05**

(52) **U.S. Cl.** **D27/159**

(58) **Field of Classification Search** D27/139,
D27/141-143, 153-160; 431/129, 143, 153,
431/253-256, 273-277

See application file for complete search history.

(56) **References Cited**

U.S. PATENT DOCUMENTS

D143,417 S * 1/1946 Florman D27/159
D315,616 S * 3/1991 Suzuki D27/159

D345,438 S * 3/1994 Tracol D27/157
D447,275 S * 8/2001 Coquerel D27/158

* cited by examiner

Primary Examiner—Jennifer Rivard

(74) *Attorney, Agent, or Firm*—Salter & Michaelson

(57) **CLAIM**

The ornamental design for a lighter, as shown.

DESCRIPTION

FIG. 1 is a perspective view of a lighter showing my new design;

FIG. 2 is a front elevational view thereof;

FIG. 3 is a rear elevational view thereof;

FIG. 4 is a top plan view thereof;

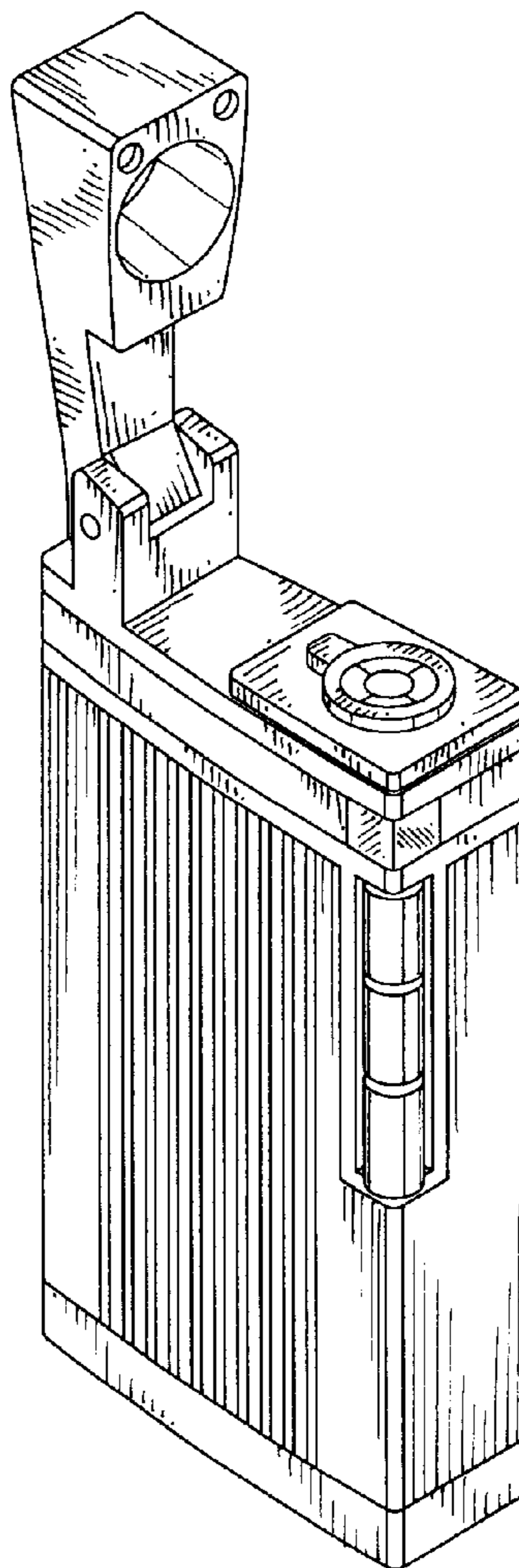
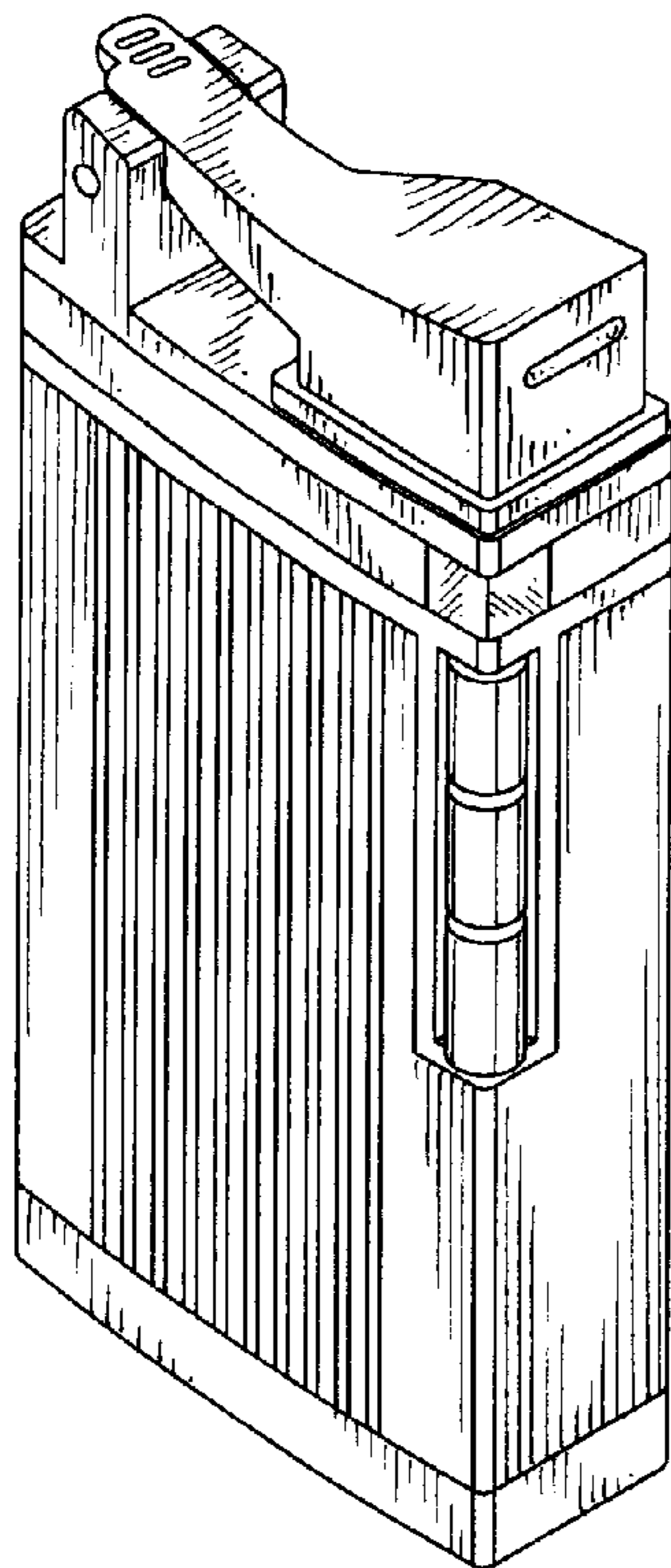
FIG. 5 is a bottom plan view thereof;

FIG. 6 is a left side elevational view thereof;

FIG. 7 is a right side elevational view thereof; and,

FIG. 8 is a perspective view thereof with the cover in its opened position.

1 Claim, 4 Drawing Sheets



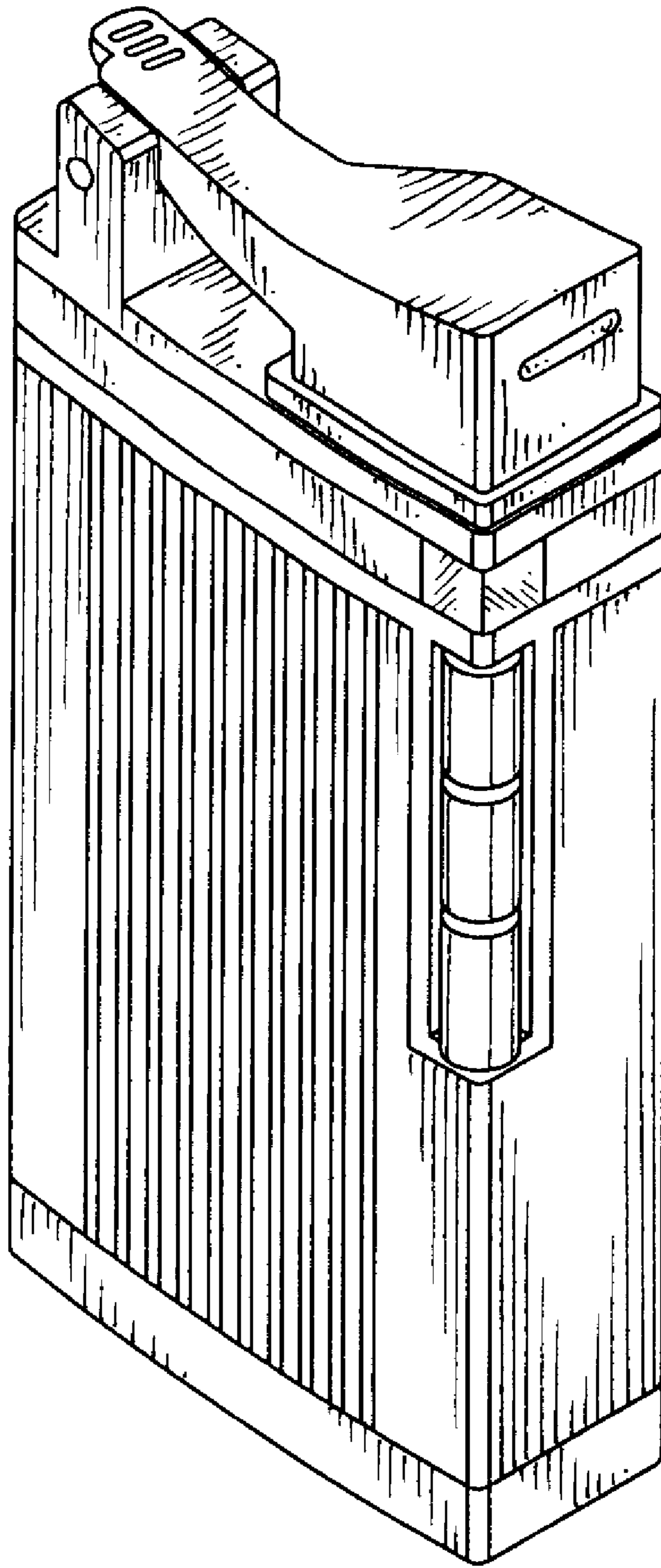


FIG. 1

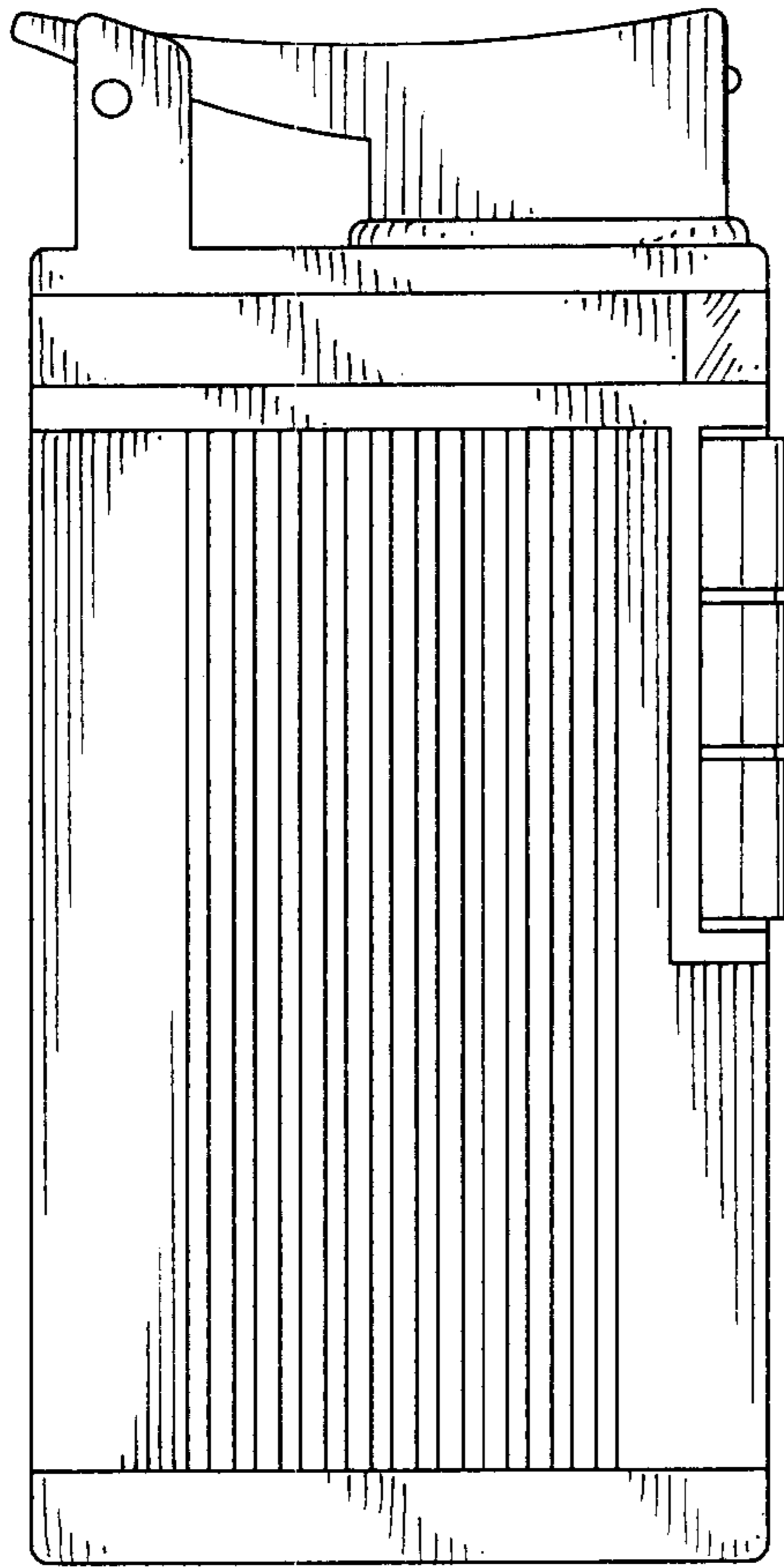


FIG. 2

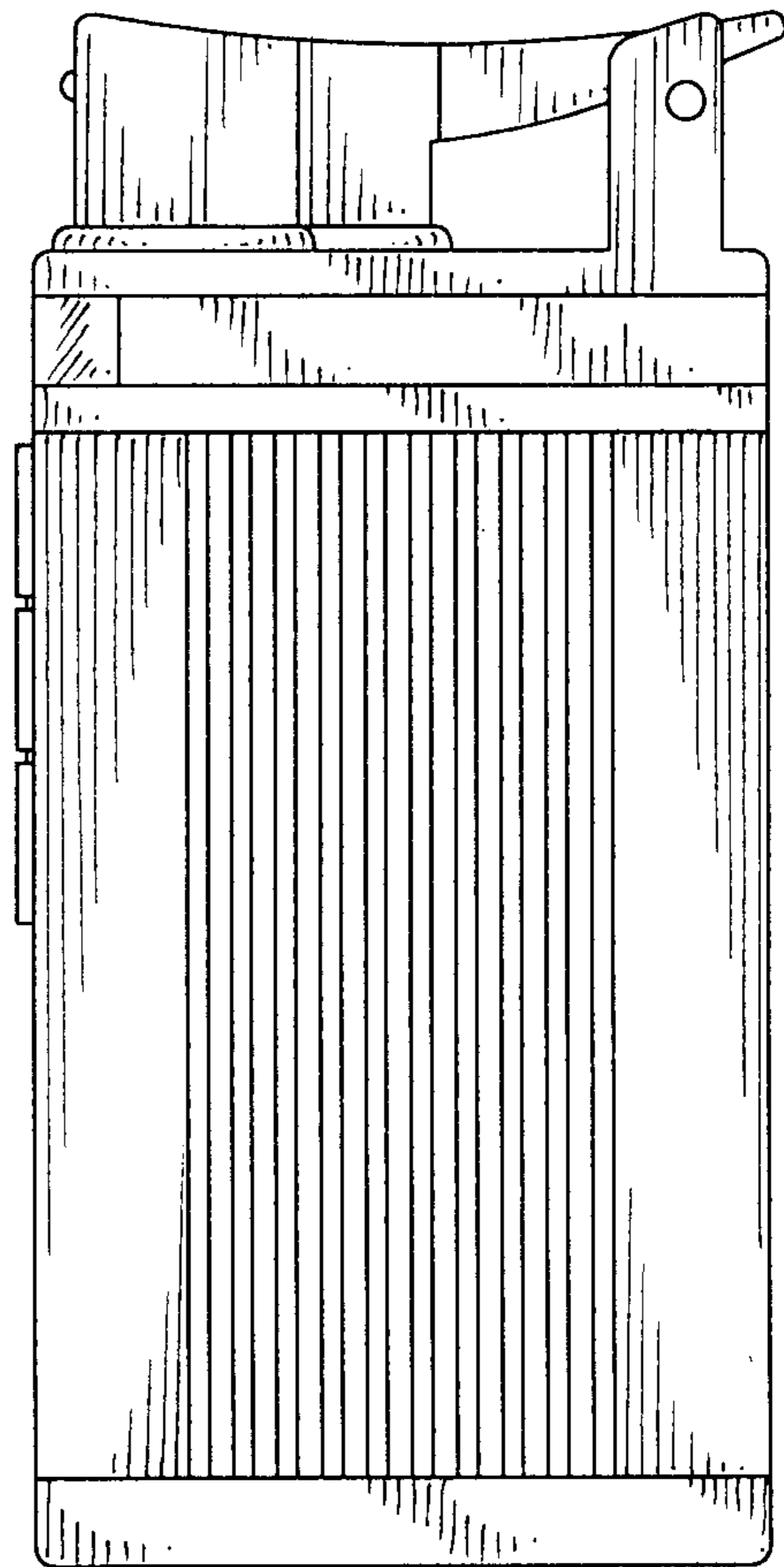


FIG. 3

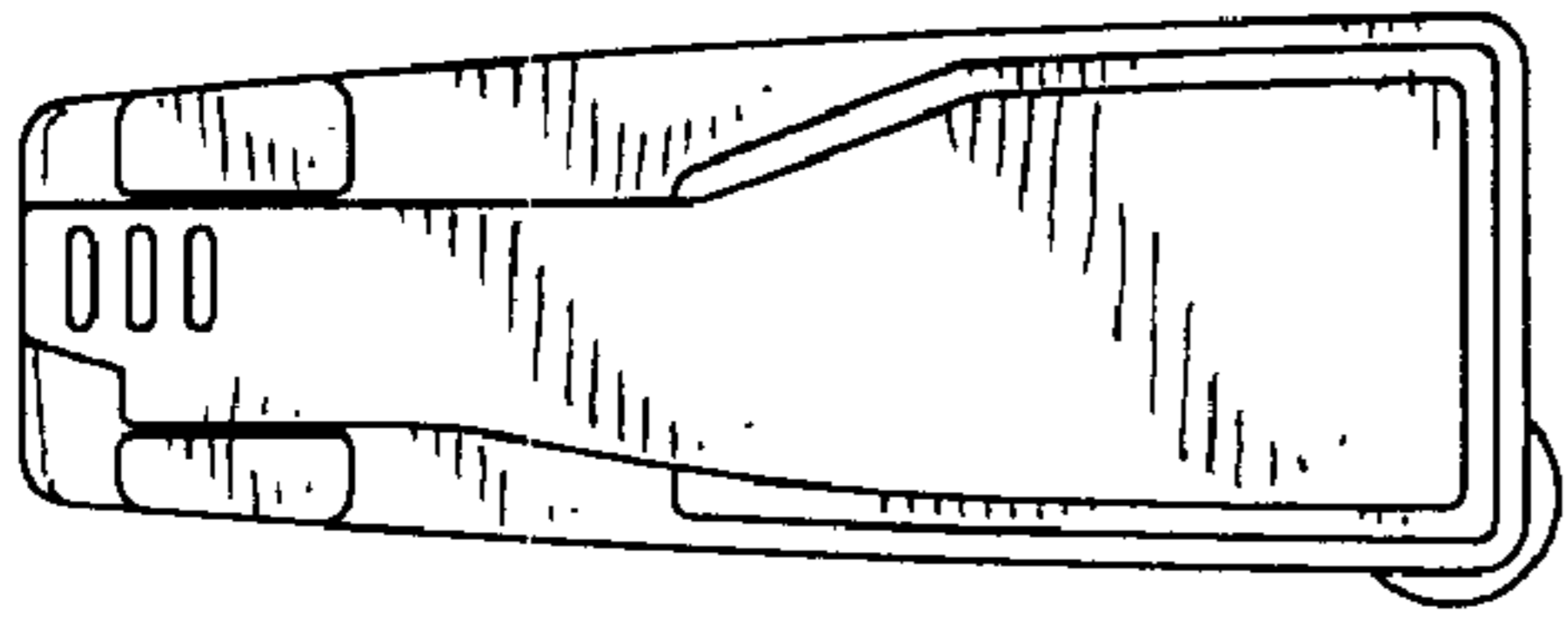


FIG. 4

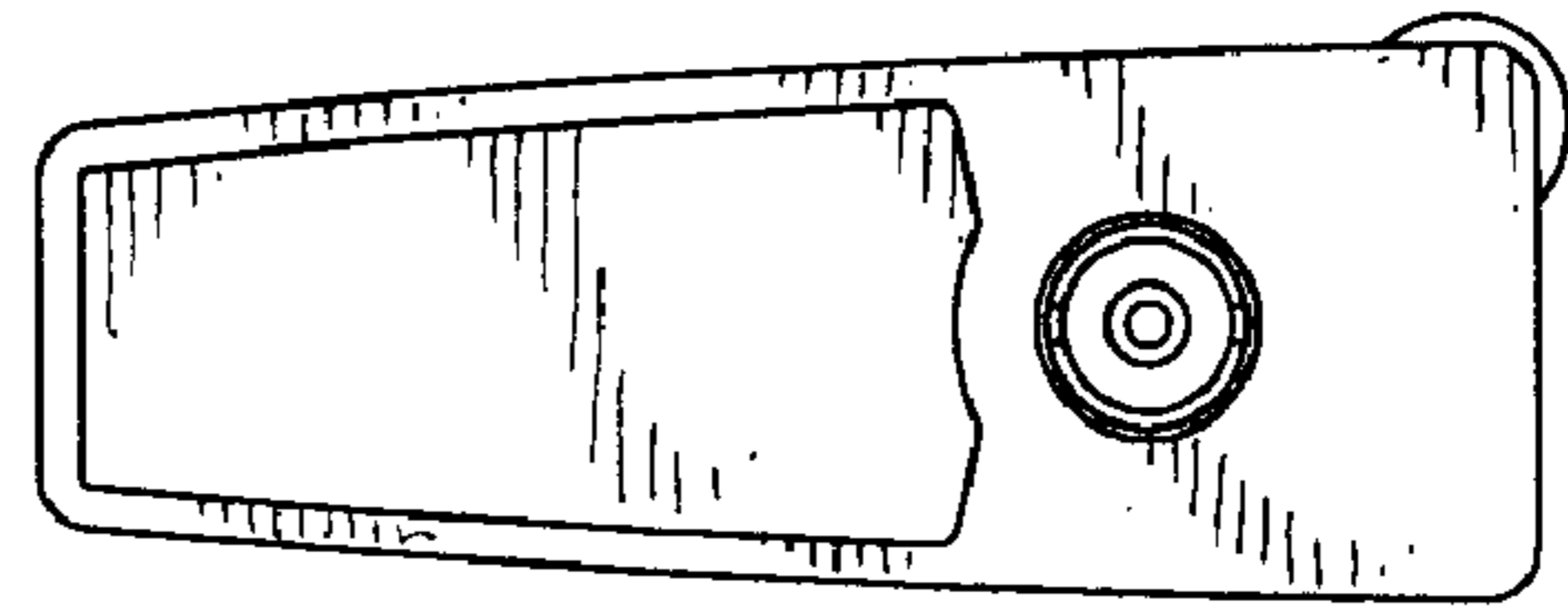


FIG. 5

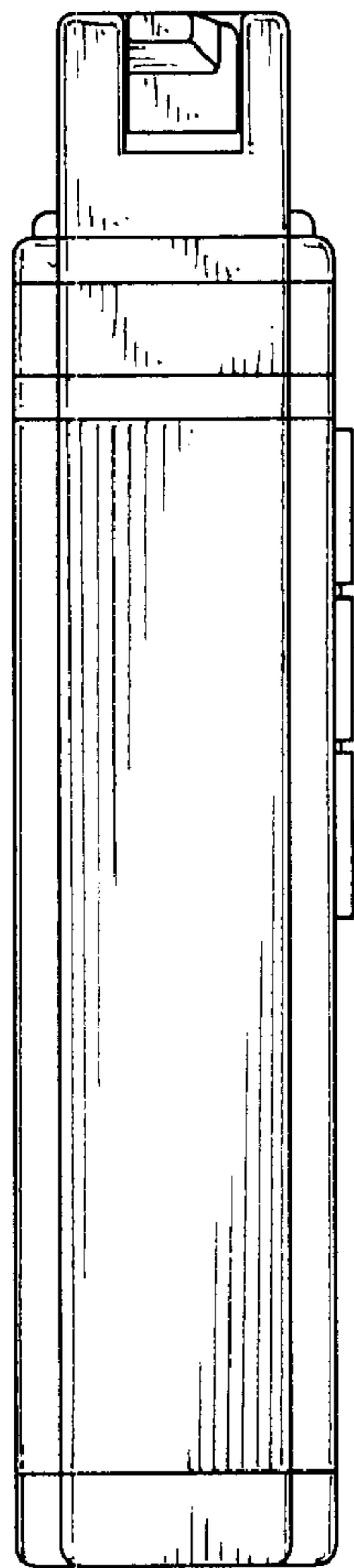


FIG. 6

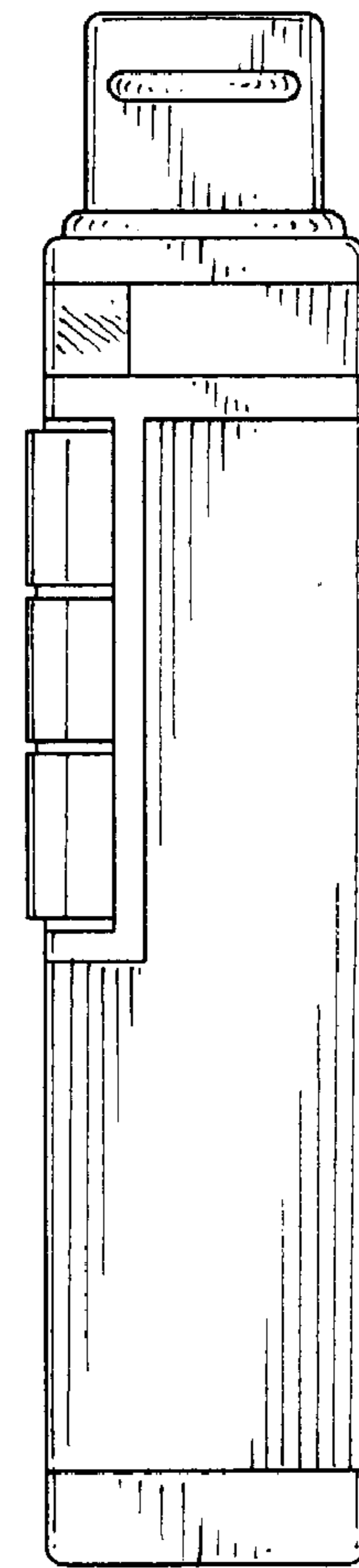


FIG. 7

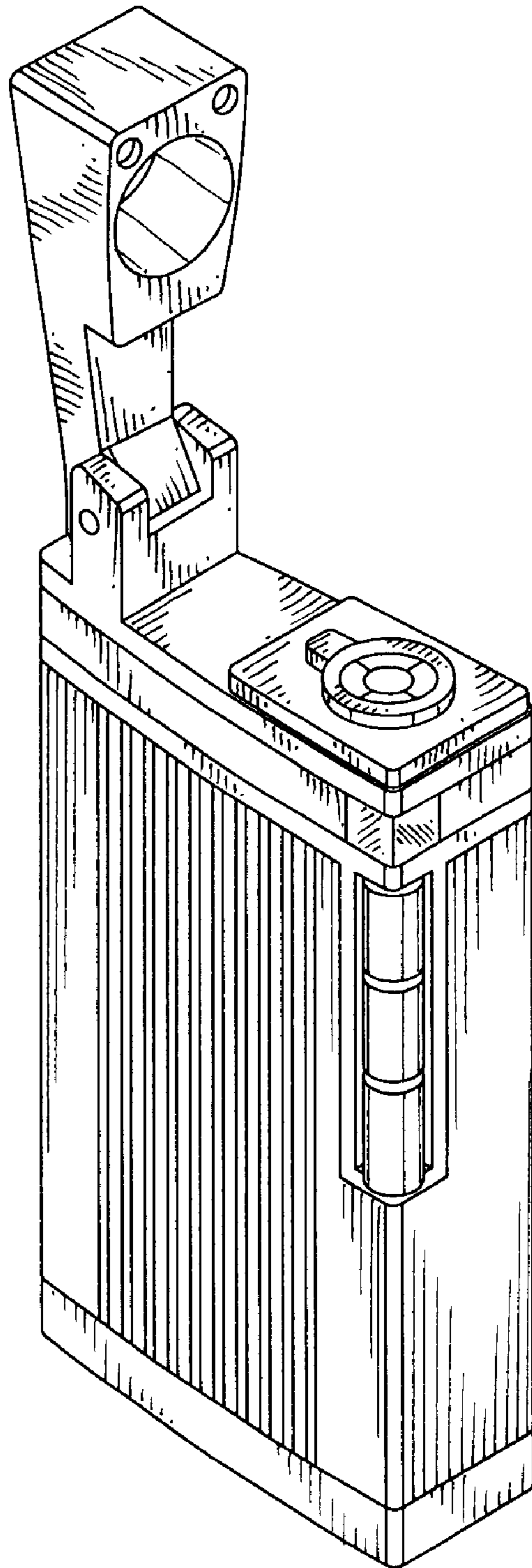


FIG. 8