



US00D526434S

(12) **United States Design Patent**  
**Tien et al.**

(10) **Patent No.: US D526,434 S**

(45) **Date of Patent: \*\* Aug. 8, 2006**

(54) **OUTDOOR LANTERN WITH SEEDY GLASS**

(75) Inventors: **Tseng Jen Tien**, Cerritos, CA (US);  
**Greg St. John**, Marietta, GA (US)

(73) Assignee: **Cordelia Lighting, Inc.**, Rancho  
Dominquez, CA (US)

(\*\*) Term: **14 Years**

(21) Appl. No.: **29/222,020**

(22) Filed: **Jan. 25, 2005**

(51) **LOC (8) Cl.** ..... **26-03**

(52) **U.S. Cl.** ..... **D26/92; D26/87**

(58) **Field of Classification Search** ..... D26/72,  
D26/73, 85, 87, 92, 118, 128-130, 137, 145-147,  
D26/155, 156; 362/147, 362, 370, 371, 431,  
362/432

See application file for complete search history.

(56) **References Cited**

**U.S. PATENT DOCUMENTS**

D63,053 S \* 9/1923 Klein ..... D26/85  
D72,714 S \* 5/1927 Lipschutz ..... D26/87  
D439,362 S \* 3/2001 Berry ..... D26/87

**OTHER PUBLICATIONS**

Corbett Lighting Catalog ©2000. Item 5783 on p. 139.\*  
3 Pages from the Framburg 2001 Catalog. Item 8930 from  
the “Le Havre” collection on p. 170; Item 8780 from the  
“Chambord” collection on p. 172; and Item 8325 on p. 176.\*

\* cited by examiner

*Primary Examiner*—Clare E Heflin

(74) *Attorney, Agent, or Firm*—Paul Y. Feng; Fulwider  
Patton LLP

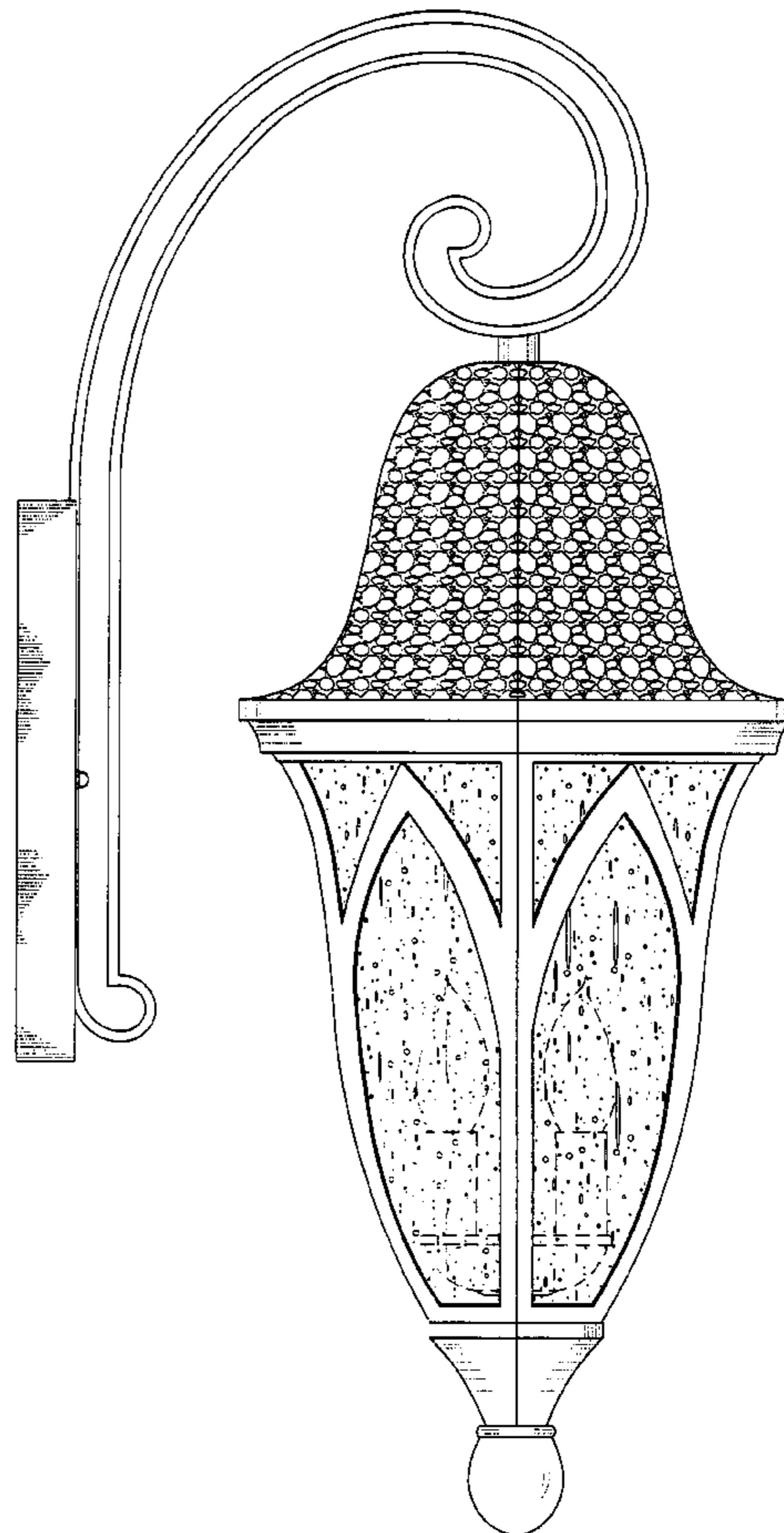
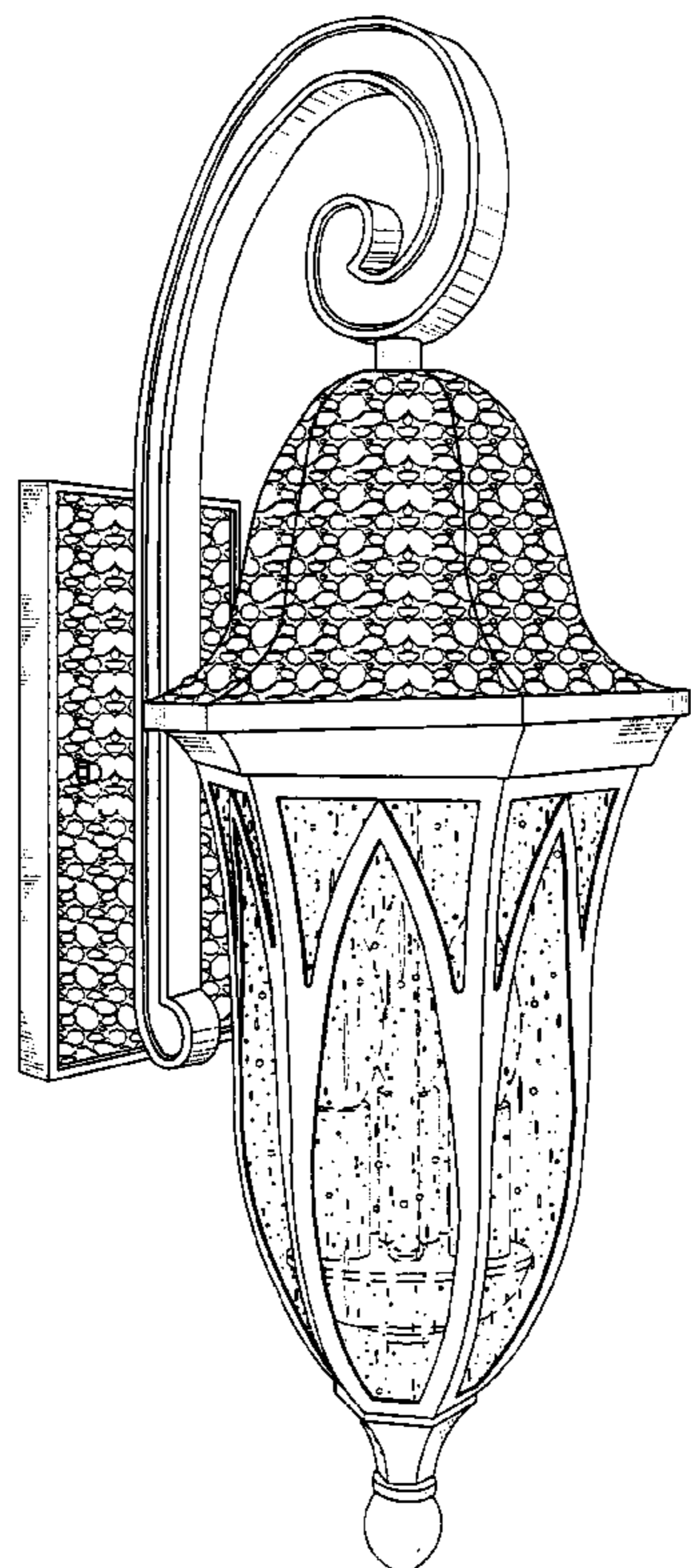
(57) **CLAIM**

The ornamental design for an outdoor lantern with seedy  
glass, as shown and described.

**DESCRIPTION**

FIG. 1 is a perspective view of my outdoor lantern with  
seedy glass showing our new design;  
FIG. 2 is a front elevational view;  
FIG. 3 is a rear elevational view;  
FIG. 4 is a left side elevational view wherein the right side  
elevational view is a mirror image thereof;  
FIG. 5 is a top plan view; and,  
FIG. 6 is a bottom view.

**1 Claim, 6 Drawing Sheets**



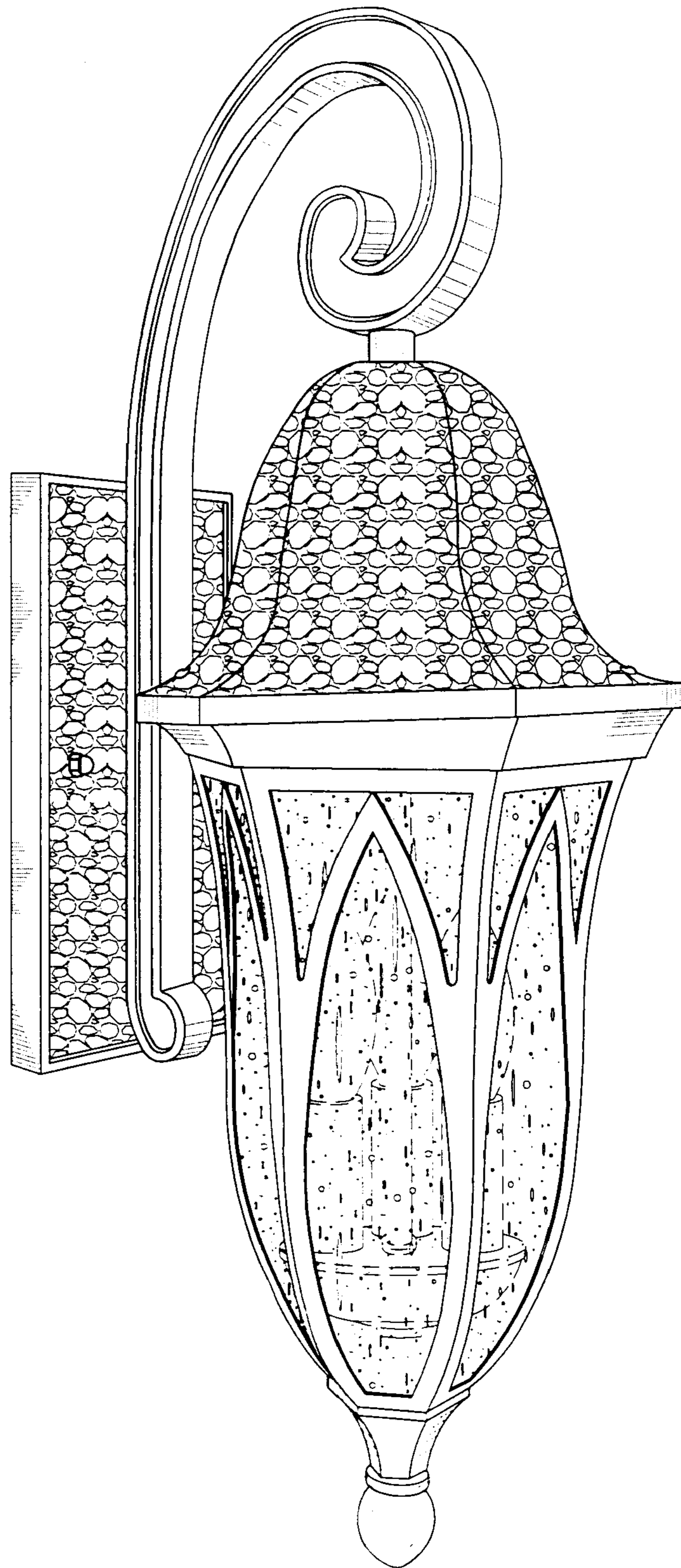


FIG. 1

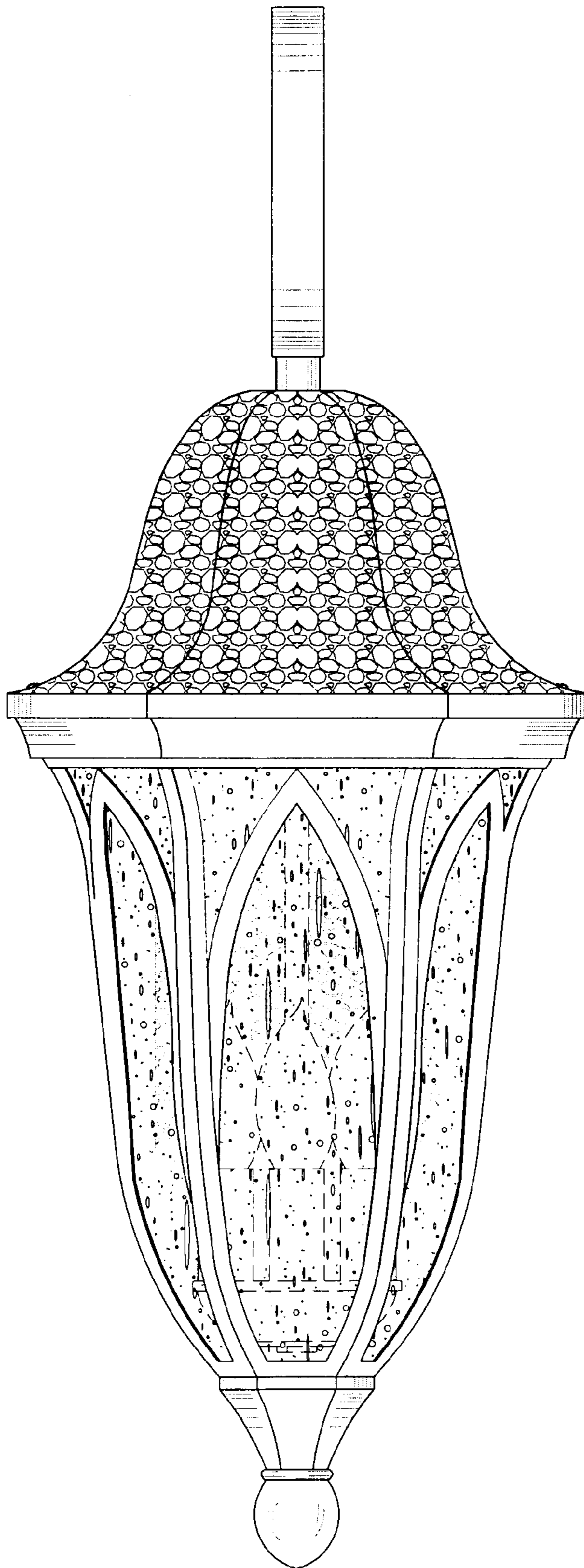


FIG. 2

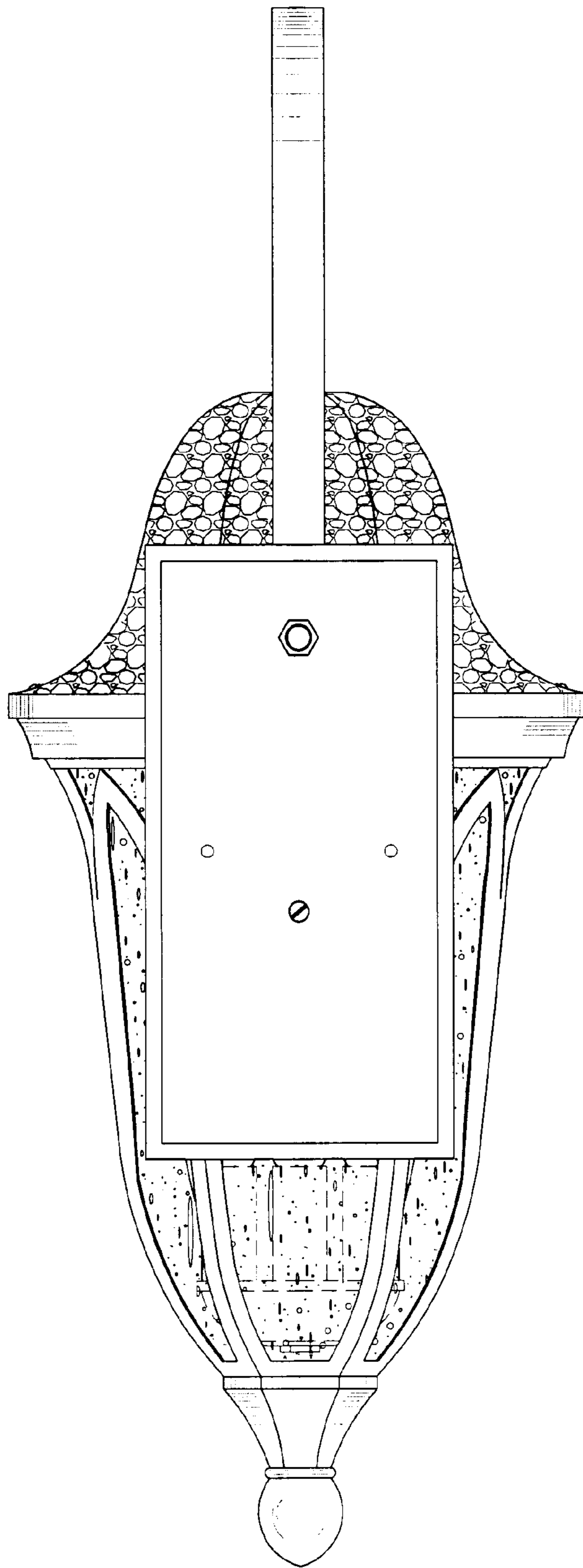


FIG. 3

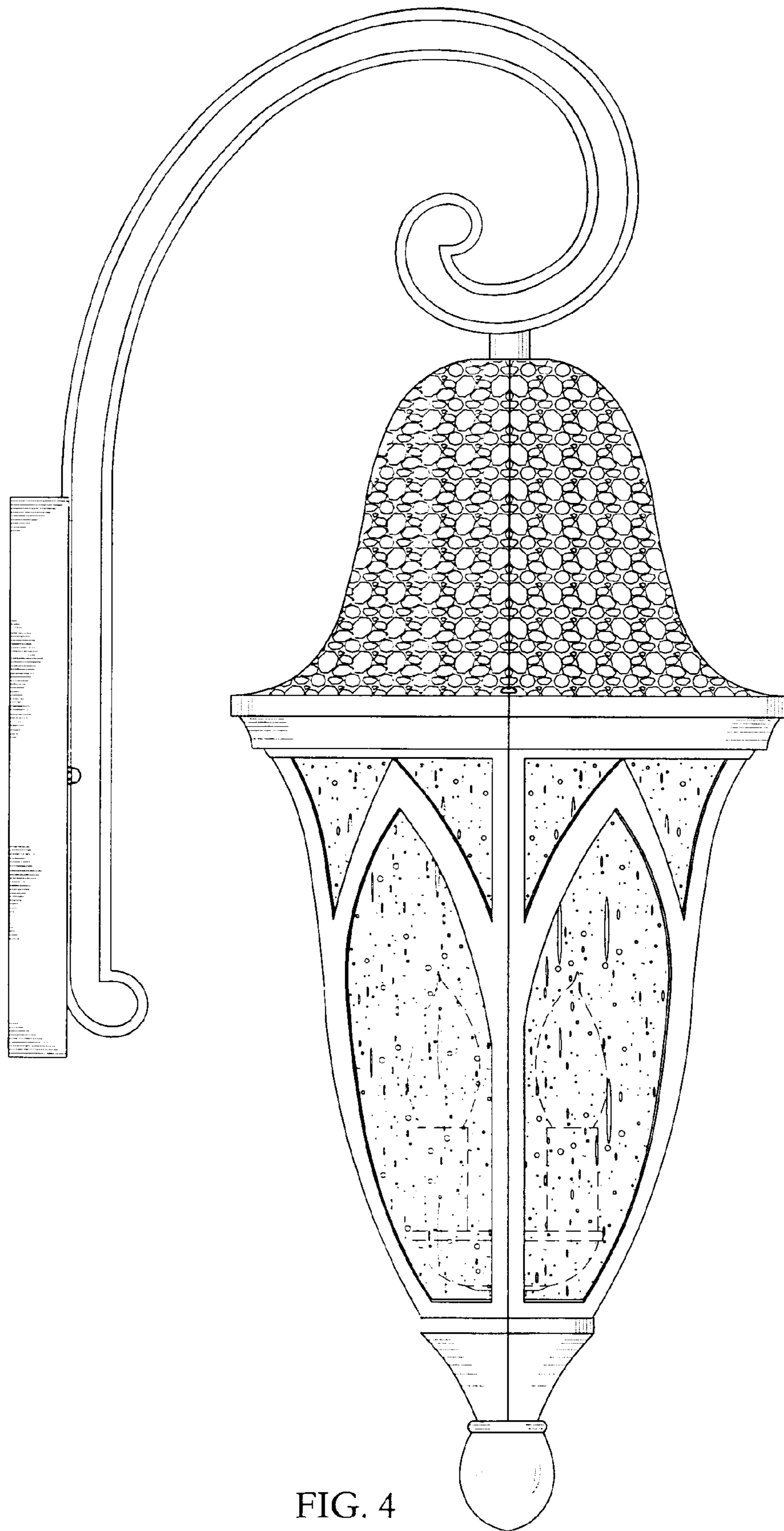


FIG. 4

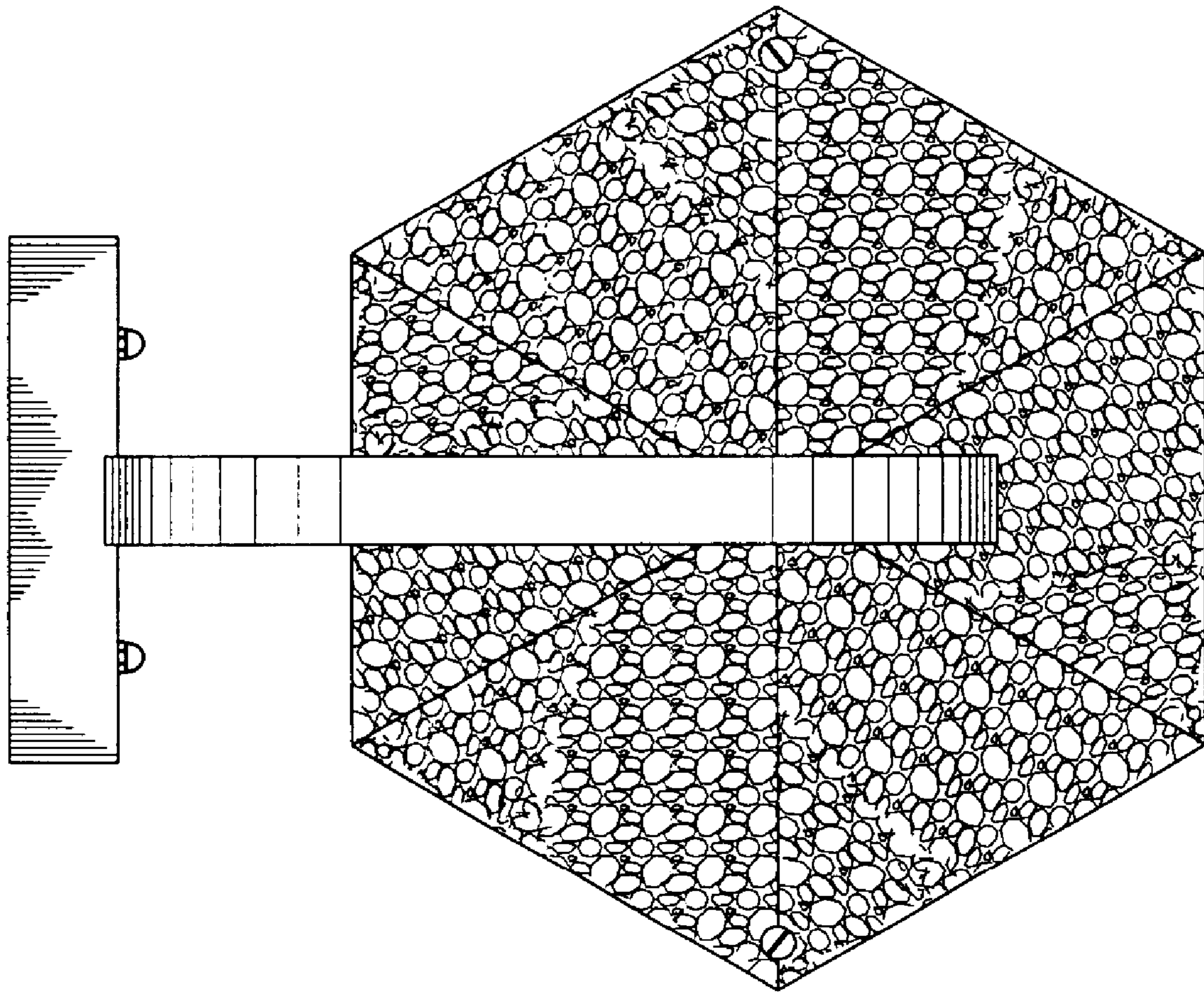


FIG. 5

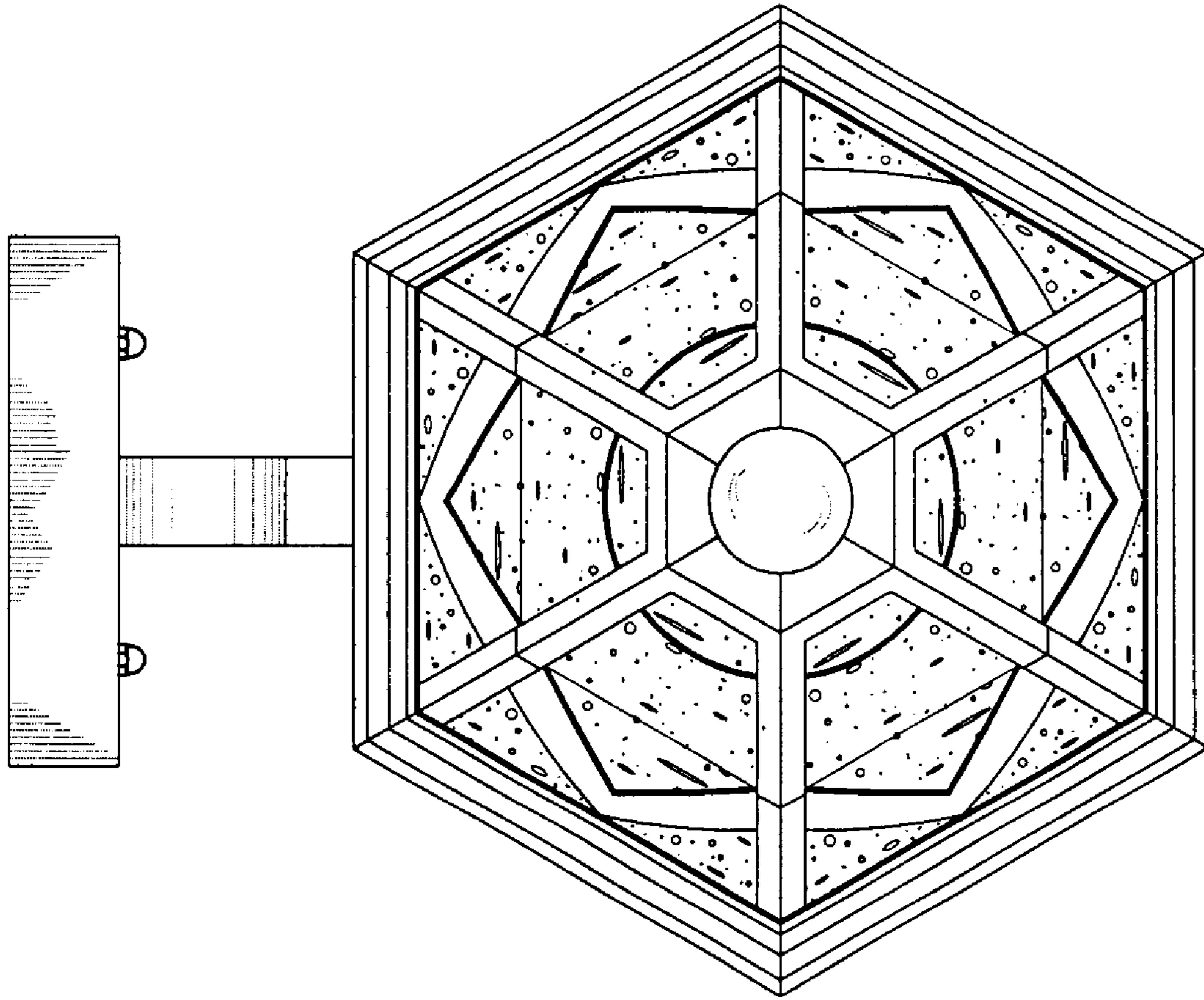


FIG. 6