

US00D526433S

(12) **United States Design Patent** (10) **Patent No.:** **US D526,433 S**  
**Li** (45) **Date of Patent:** **\*\* Aug. 8, 2006**

(54) **BOOKLIGHT**

(75) Inventor: **Watson Li**, Hong Kong (CN)

(73) Assignee: **Kings Manufacturing Company, Ltd**,  
Hong Kong (HK)

(\*\*) Term: **14 Years**

(21) Appl. No.: **29/221,107**

(22) Filed: **Jan. 12, 2005**

(30) **Foreign Application Priority Data**

Jul. 16, 2004 (HK) ..... 0411548

(51) **LOC (8) Cl.** ..... **26-05**

(52) **U.S. Cl.** ..... **D26/60; D26/65; D26/37**

(58) **Field of Classification Search** ..... D26/28,  
D26/37, 39, 44, 57, 73, 60-65; 362/98, 99,  
362/157, 171-174, 473-476, 523, 545, 183-208  
See application file for complete search history.

(56) **References Cited**

**U.S. PATENT DOCUMENTS**

D351,678 S	*	10/1994	Chen	.....	D26/65
D364,000 S	*	11/1995	Friedman	.....	D26/60
D397,468 S	*	8/1998	Zeller	.....	D26/60
D408,567 S	*	4/1999	Coe	.....	D26/60
6,022,119 A	*	2/2000	Booty, Jr.	.....	362/98
D435,677 S	*	12/2000	Hollinger	.....	D26/60
D449,126 S	*	10/2001	Zeller	.....	D26/60
D498,551 S	*	11/2004	Chan	.....	D26/37
D507,673 S	*	7/2005	Martin	.....	D26/60

\* cited by examiner

*Primary Examiner*—Clare E Heflin

(74) *Attorney, Agent, or Firm*—WRB-IP LLP

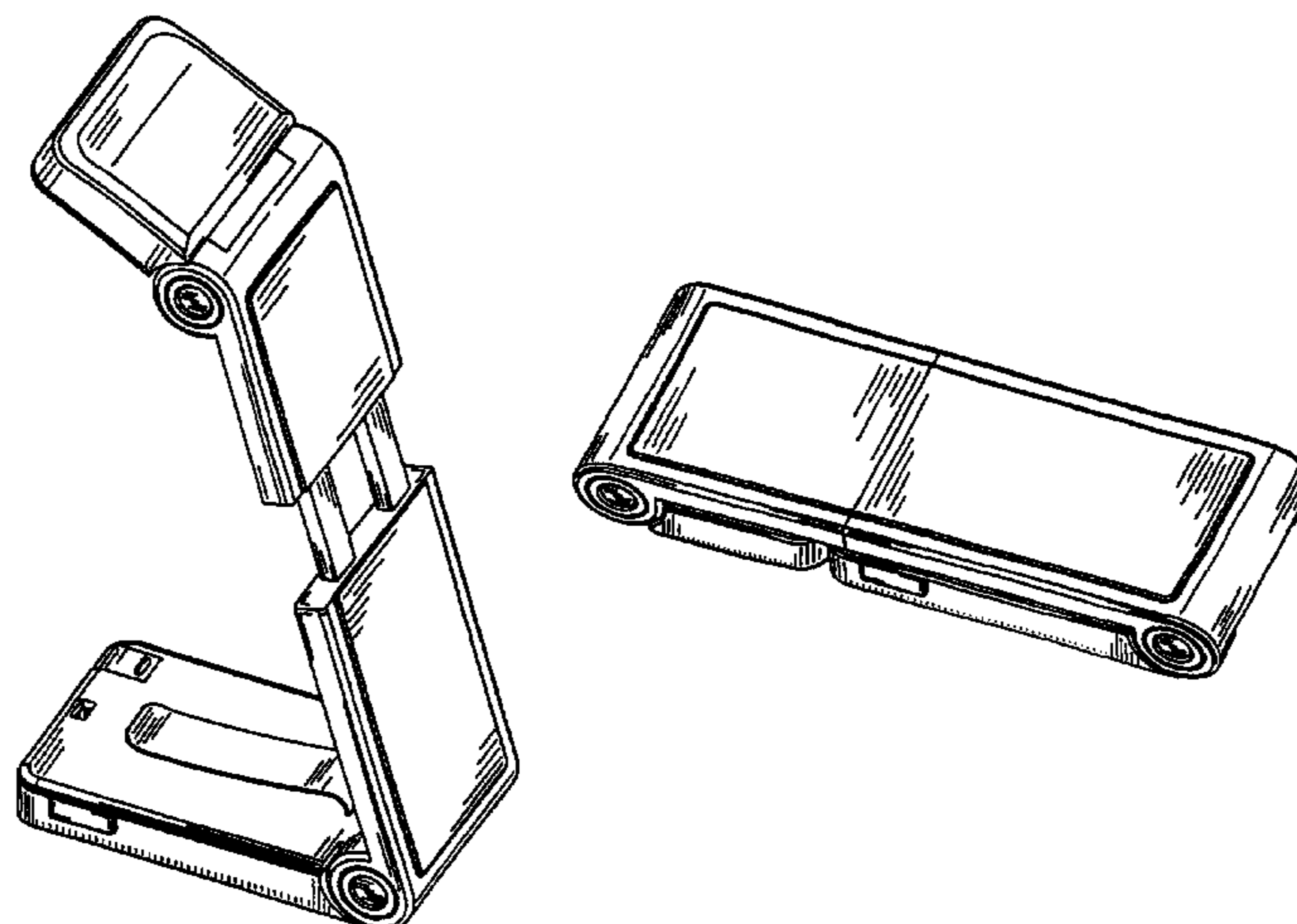
(57) **CLAIM**

The ornamental design for a booklight, as shown and described.

**DESCRIPTION**

FIG. 1 is a perspective view of a booklight according to an embodiment of the present invention in an open position; FIG. 2 is a top plan view of the booklight according to an embodiment of the present invention in an open position; FIG. 3 is a bottom plan view of the booklight according to an embodiment of the present invention in an open position; FIG. 4 is a left-side elevational view of the booklight according to an embodiment of the present invention in an open position; FIG. 5 is a right-side elevational view of the booklight according to an embodiment of the present invention in an open position; FIG. 6 is a front end view of the booklight according to an embodiment of the present invention in an open position; FIG. 7 is a rear end view of the booklight according to an embodiment of the present invention in an open position; FIG. 8 is a perspective view of the booklight according to an embodiment of the present invention in a closed position; FIG. 9 is a top plan view of the booklight according to an embodiment of the present invention in a closed position; FIG. 10 is a bottom plan view of the booklight according to an embodiment of the present invention in a closed position; FIG. 11 is a left-side elevational view of the booklight according to an embodiment of the present invention in a closed position; FIG. 12 is a right-side elevational view of the booklight according to an embodiment of the present invention in a closed position; FIG. 13 is a front end view of the booklight according to an embodiment of the present invention in a closed position; and, FIG. 14 is a rear end view of the booklight according to an embodiment of the present invention in a closed position.

**1 Claim, 3 Drawing Sheets**



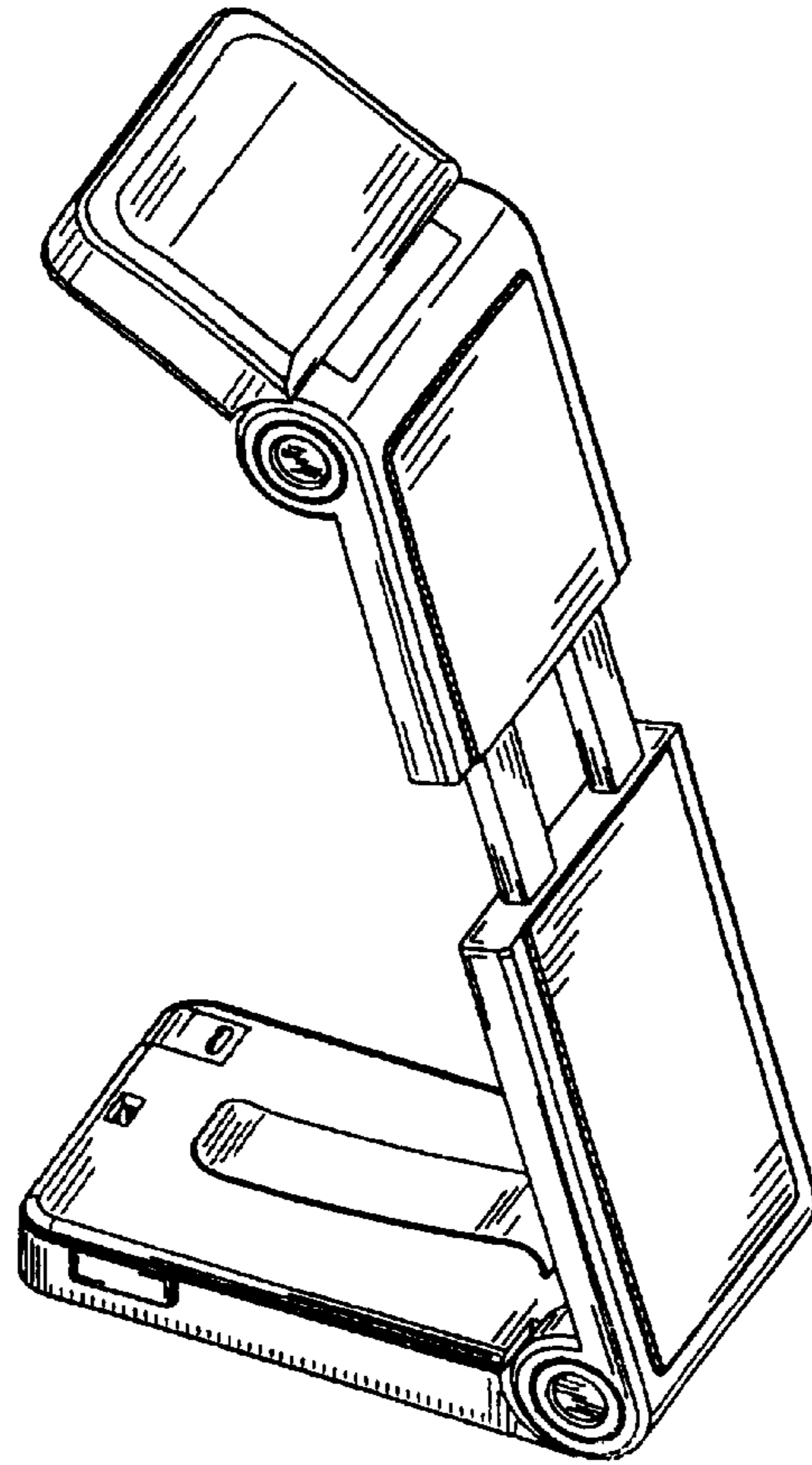


FIG. 1

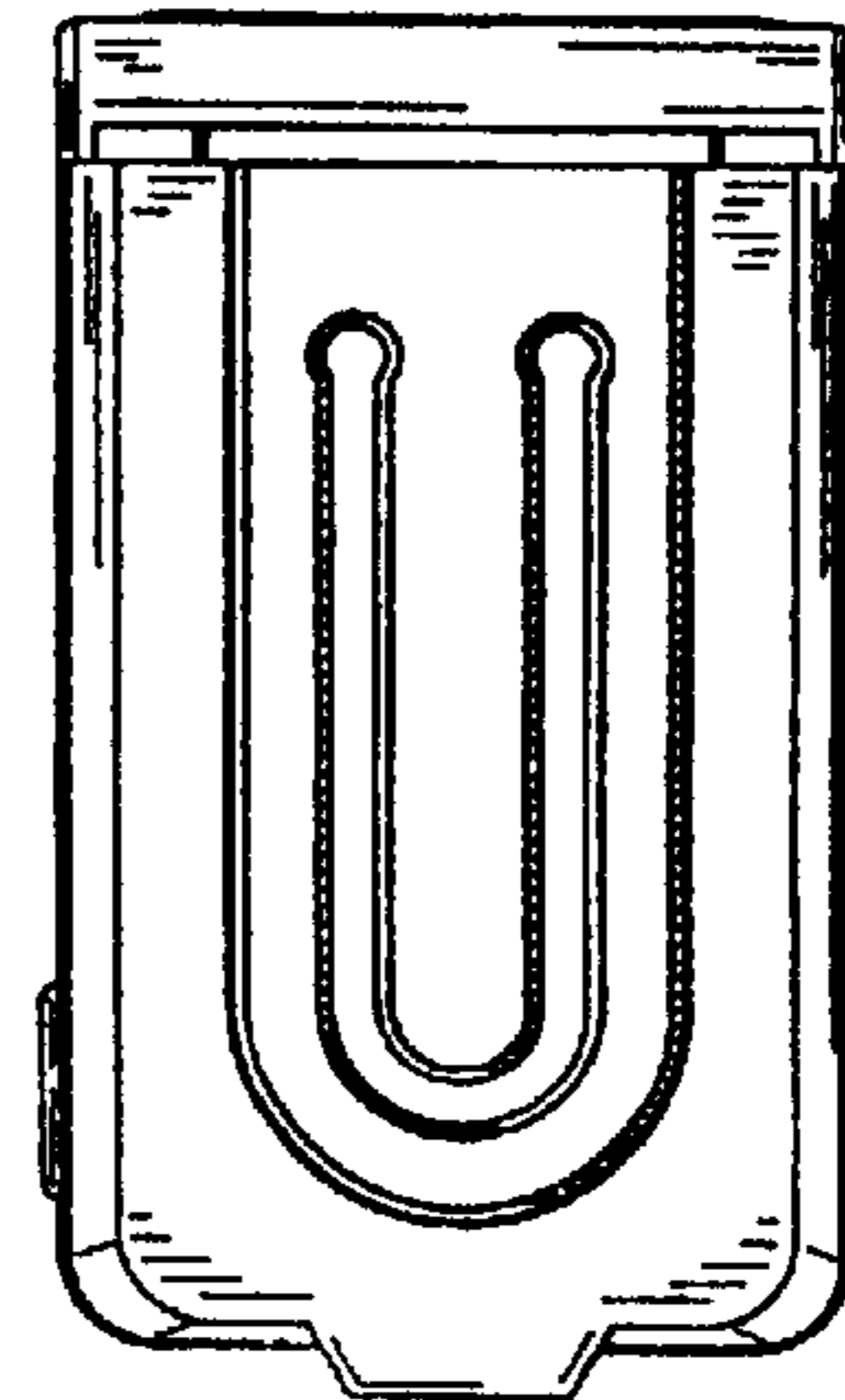


FIG. 3

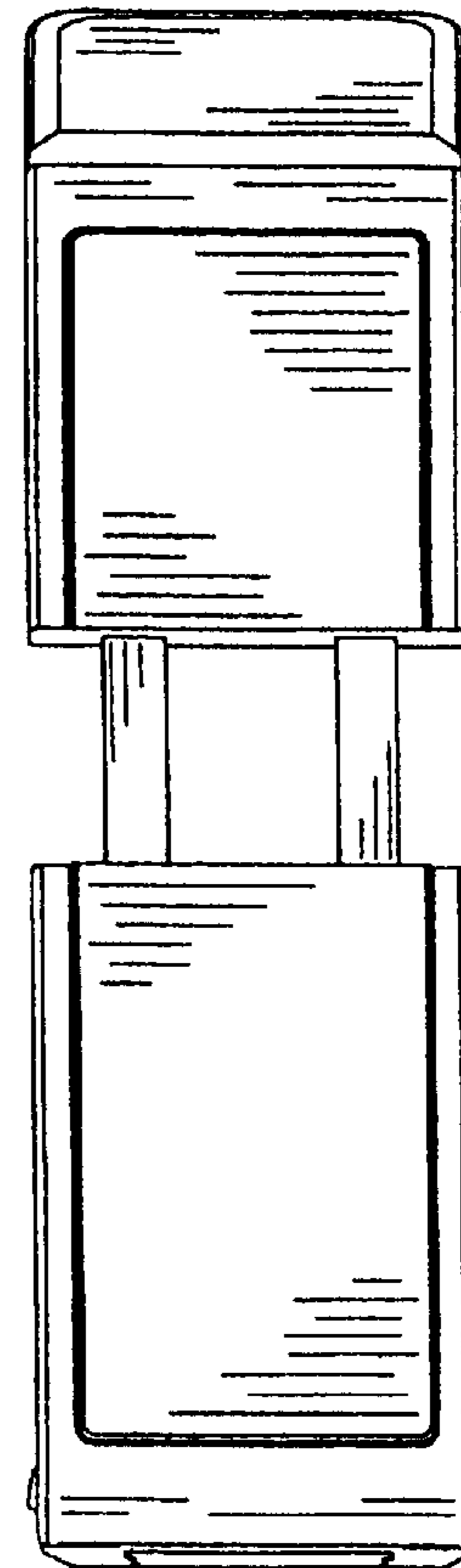


FIG. 7

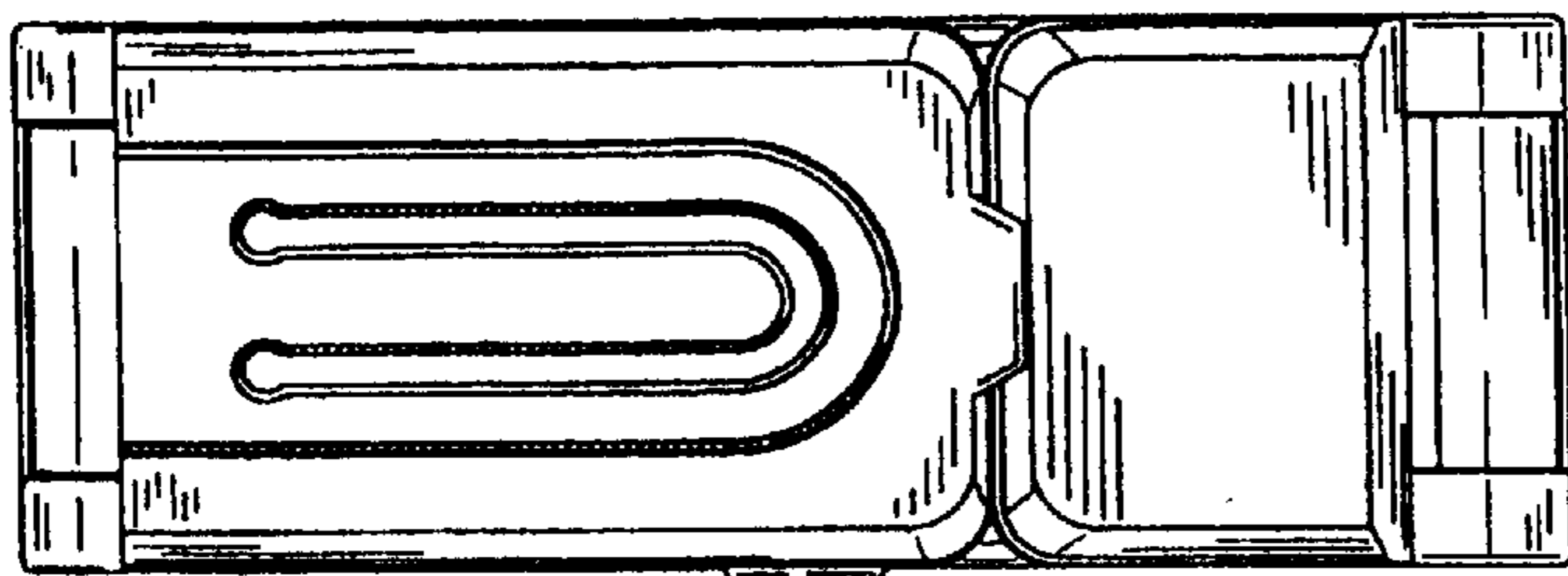


FIG. 10

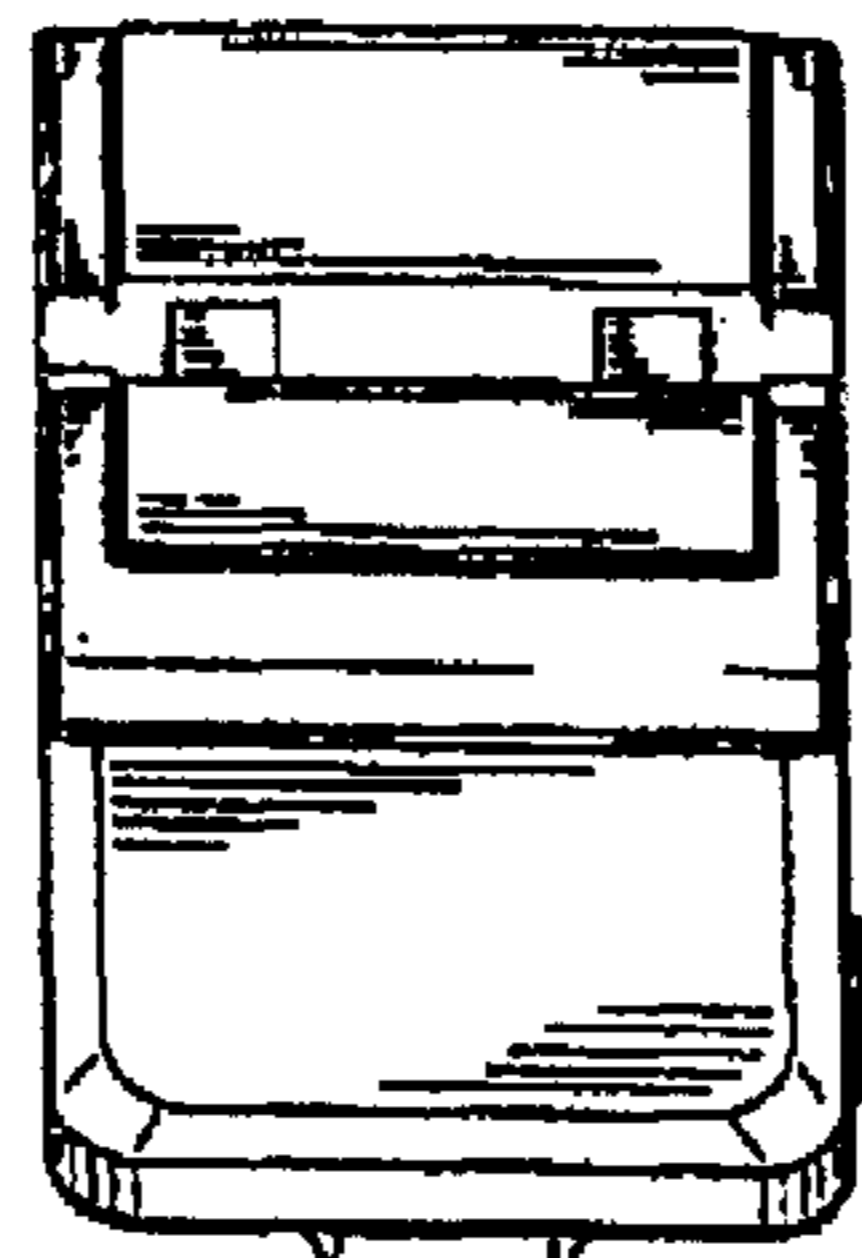


FIG. 2

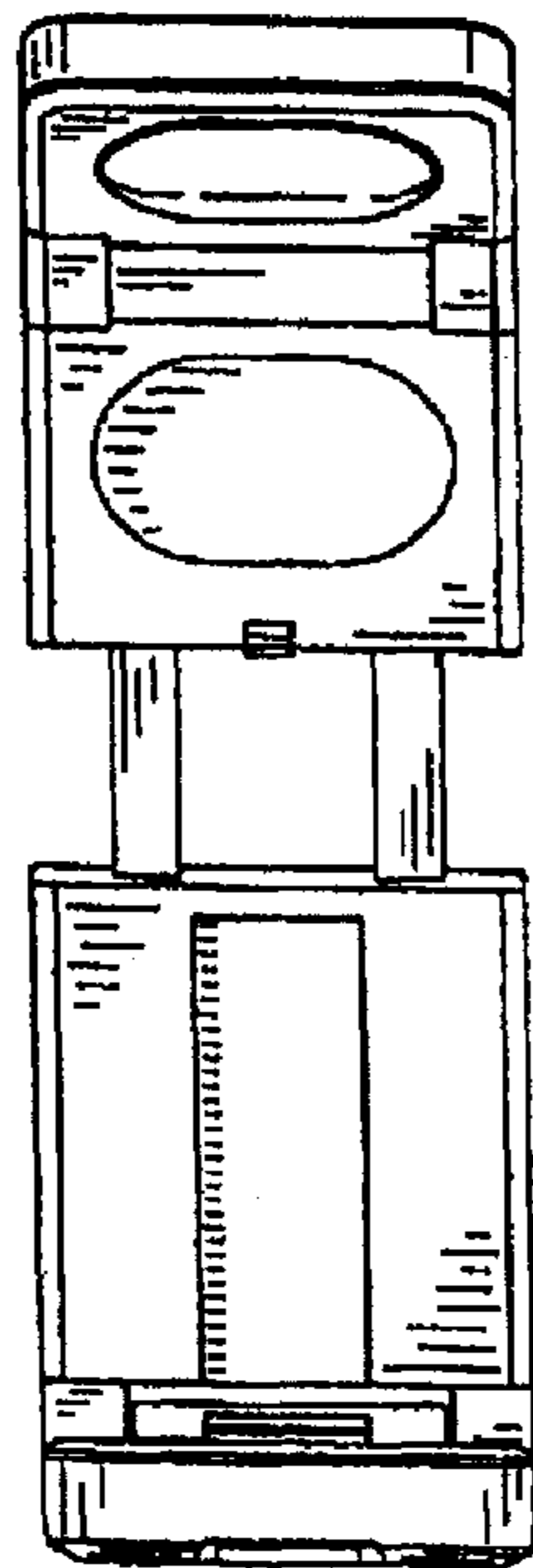


FIG. 6

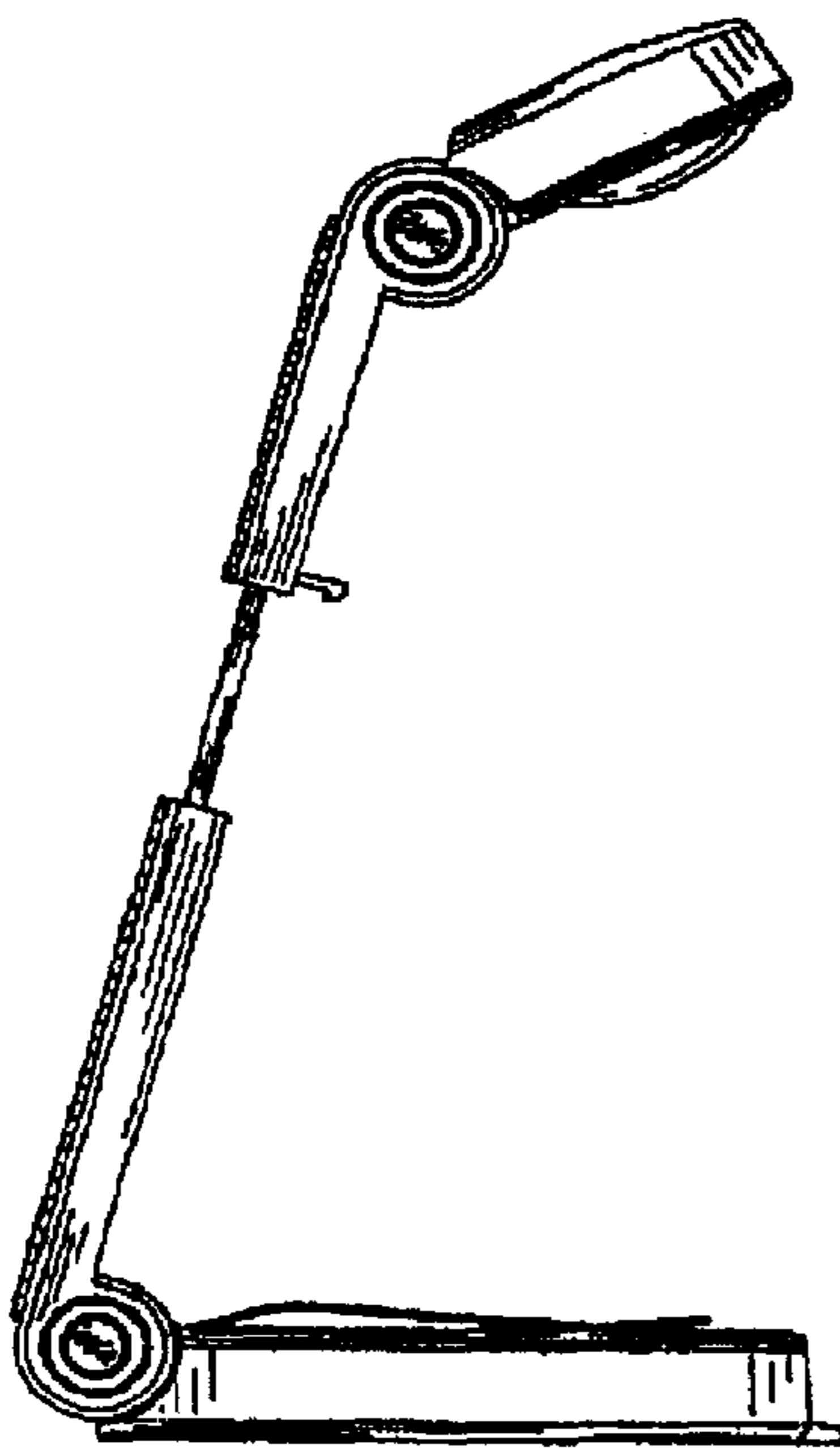


FIG. 4

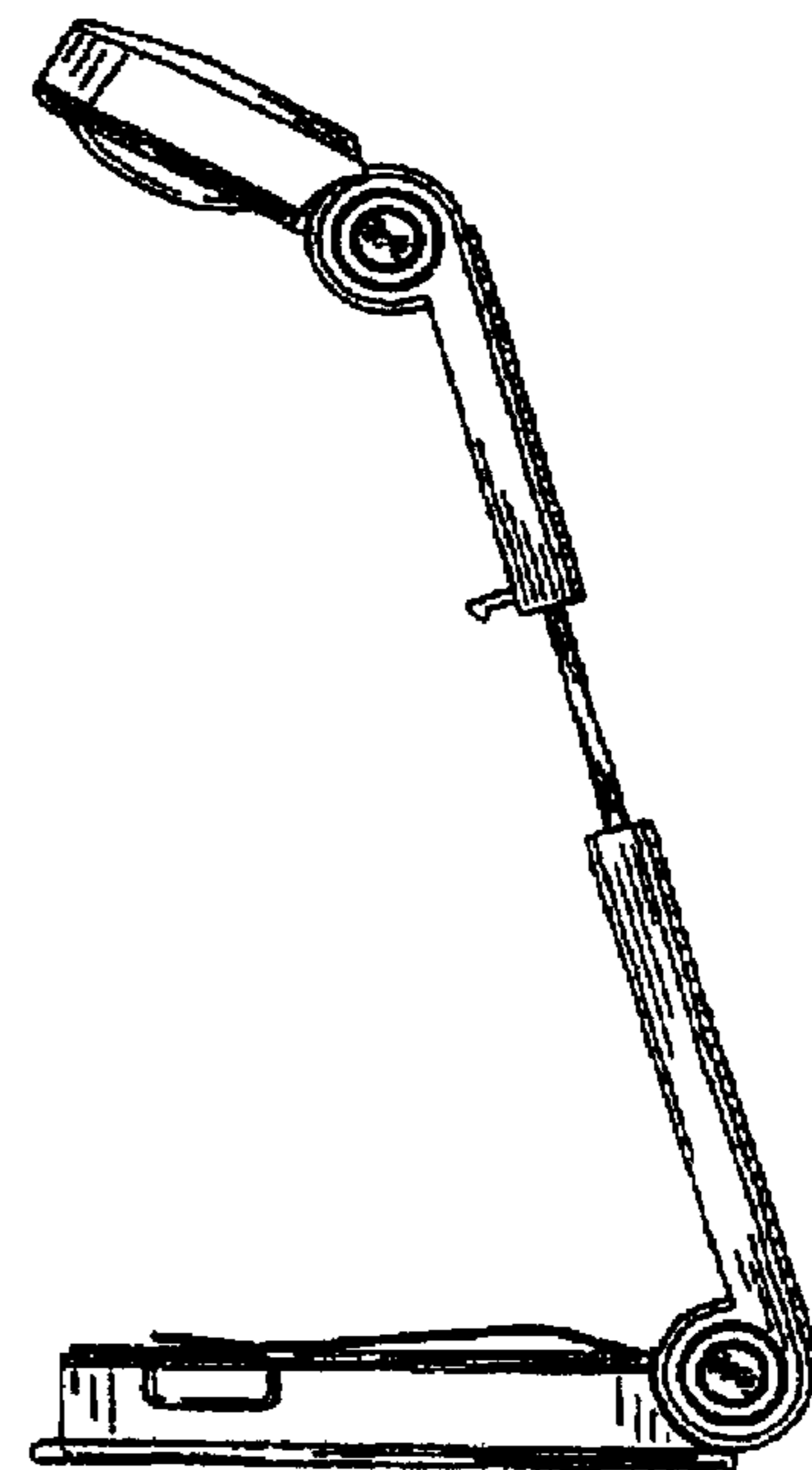


FIG. 5

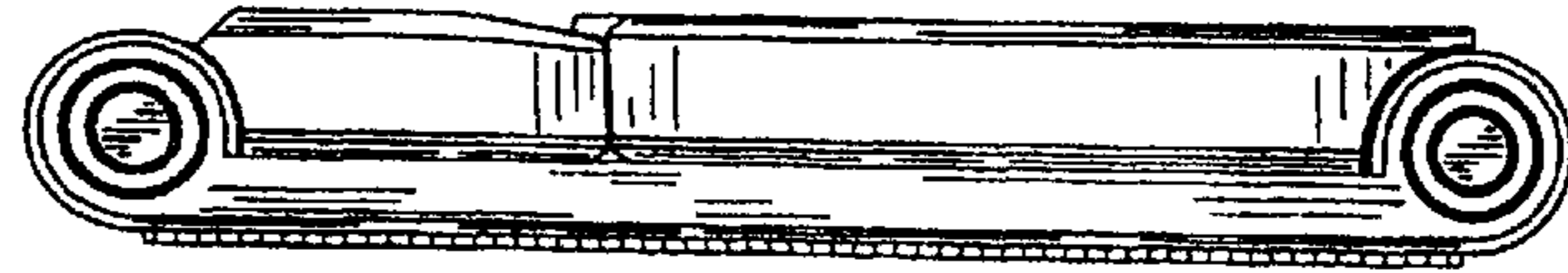


FIG. 11



FIG. 13

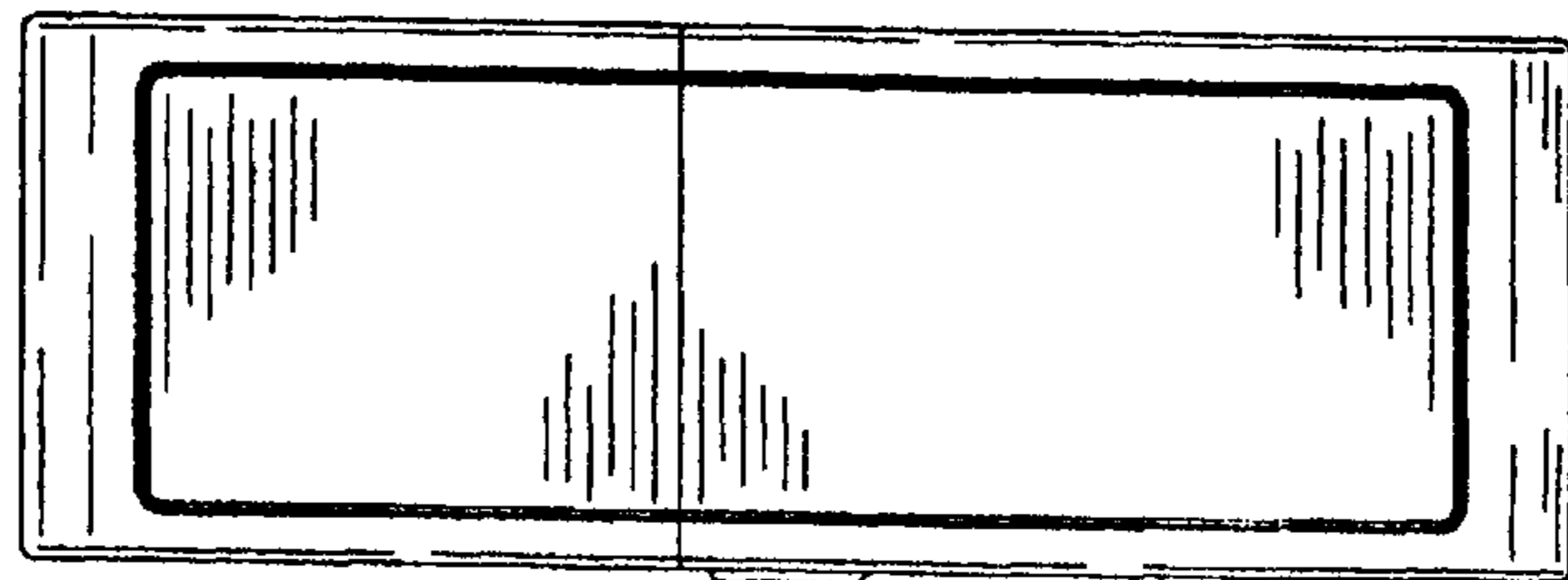


FIG. 9

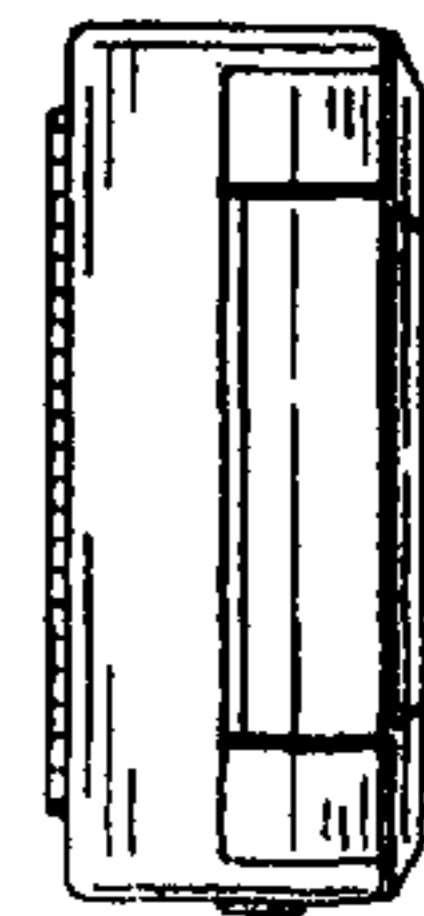


FIG. 14

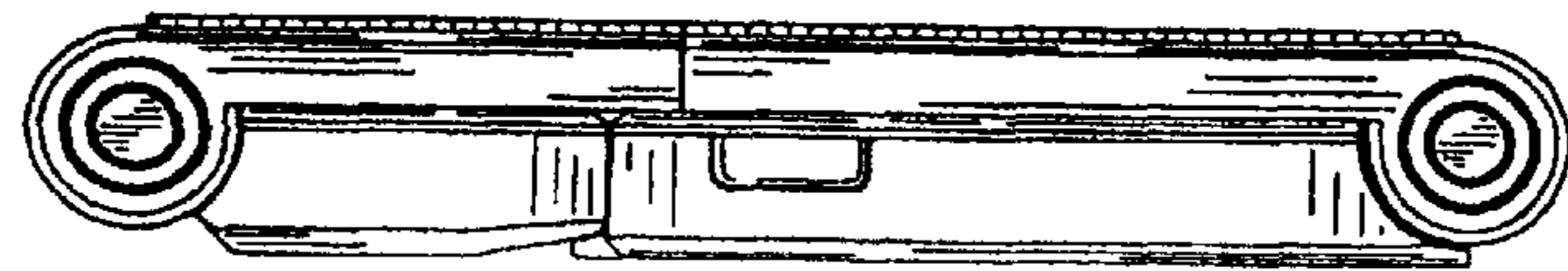


FIG. 12

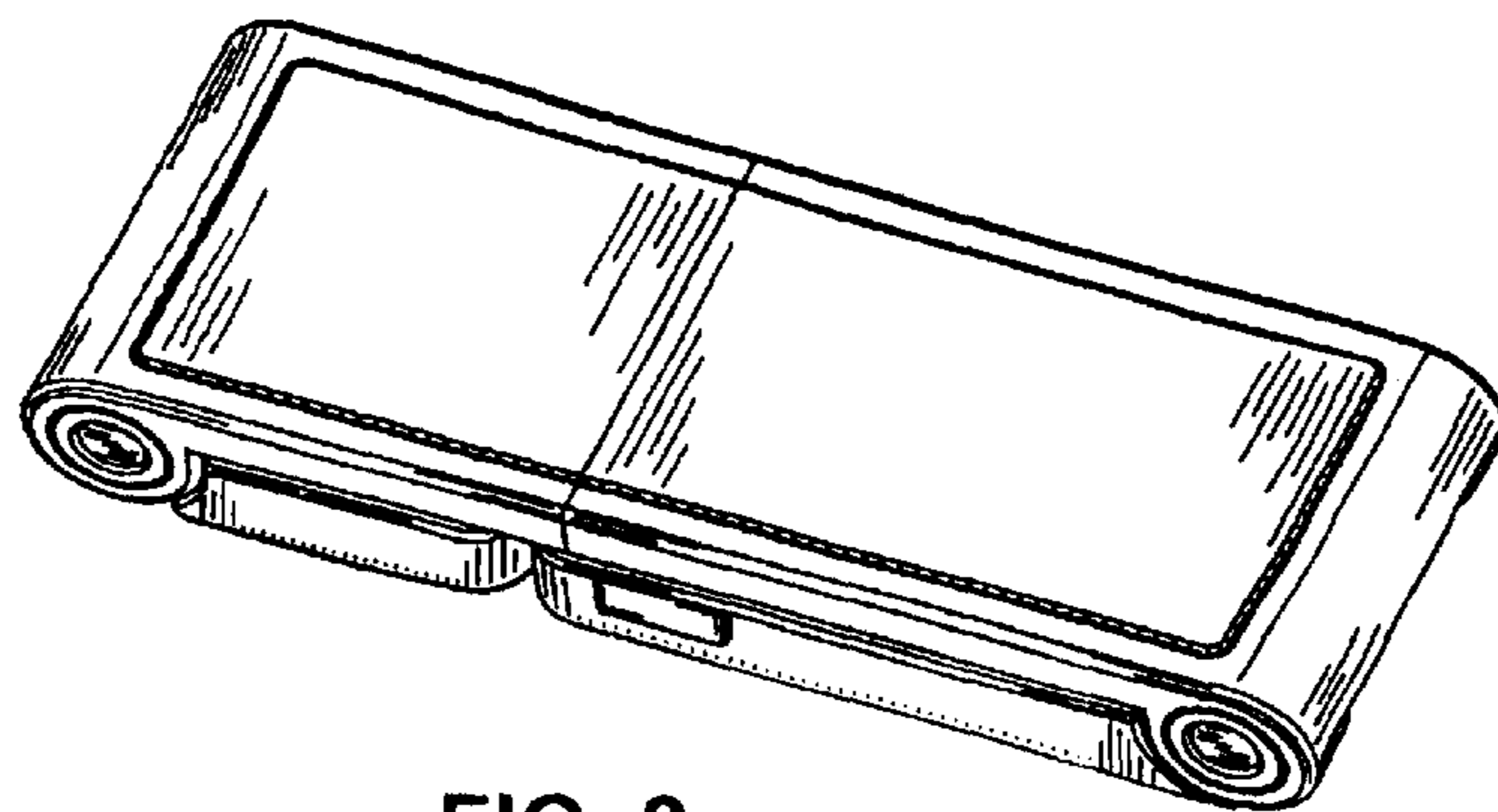


FIG. 8