



US00D526424S

(12) **United States Design Patent** (10) **Patent No.:** **US D526,424 S**  
**Suzuki et al.** (45) **Date of Patent:** **\*\* Aug. 8, 2006**

(54) **FRONT COMBINATION LAMP FOR AUTOMOBILE**

(75) Inventors: **Naohiko Suzuki**, Aichi-ken (JP);  
**Shigetoshi Kouzai**, Aichi-ken (JP)

(73) Assignee: **Toyota Jidoshi Kabushiki Kaisha**,  
Aichi-ken (JP)

(\*\*) Term: **14 Years**

(21) Appl. No.: **29/227,891**

(22) Filed: **Apr. 18, 2005**

(51) **LOC (8) Cl.** ..... **26-06**

(52) **U.S. Cl.** ..... **D26/28**

(58) **Field of Classification Search** ..... D26/28-36;  
362/459-468, 475-478, 485-487  
See application file for complete search history.

(56) **References Cited**

**U.S. PATENT DOCUMENTS**

D486,594 S	*	2/2004	Kuo	.....	D26/28
D493,552 S	*	7/2004	Metros et al.	.....	D26/28
D506,843 S	*	6/2005	Lin	.....	D26/28
D510,449 S	*	10/2005	Lin	.....	D26/28

**OTHER PUBLICATIONS**

Toyota Catalogue, Toyota Tundra, Jan. 2003, Mfg. Toyota Motor Corporation.

Los Angeles Auto Show Program Guide 2003, Jan. 2003, Lincoln Navigator, Mfg.: Ford Motor Company.

\* cited by examiner

*Primary Examiner*—Marcus A. Jackson

(74) *Attorney, Agent, or Firm*—Finnegan, Henderson, Farabow, Garrett & Dunner, LLP

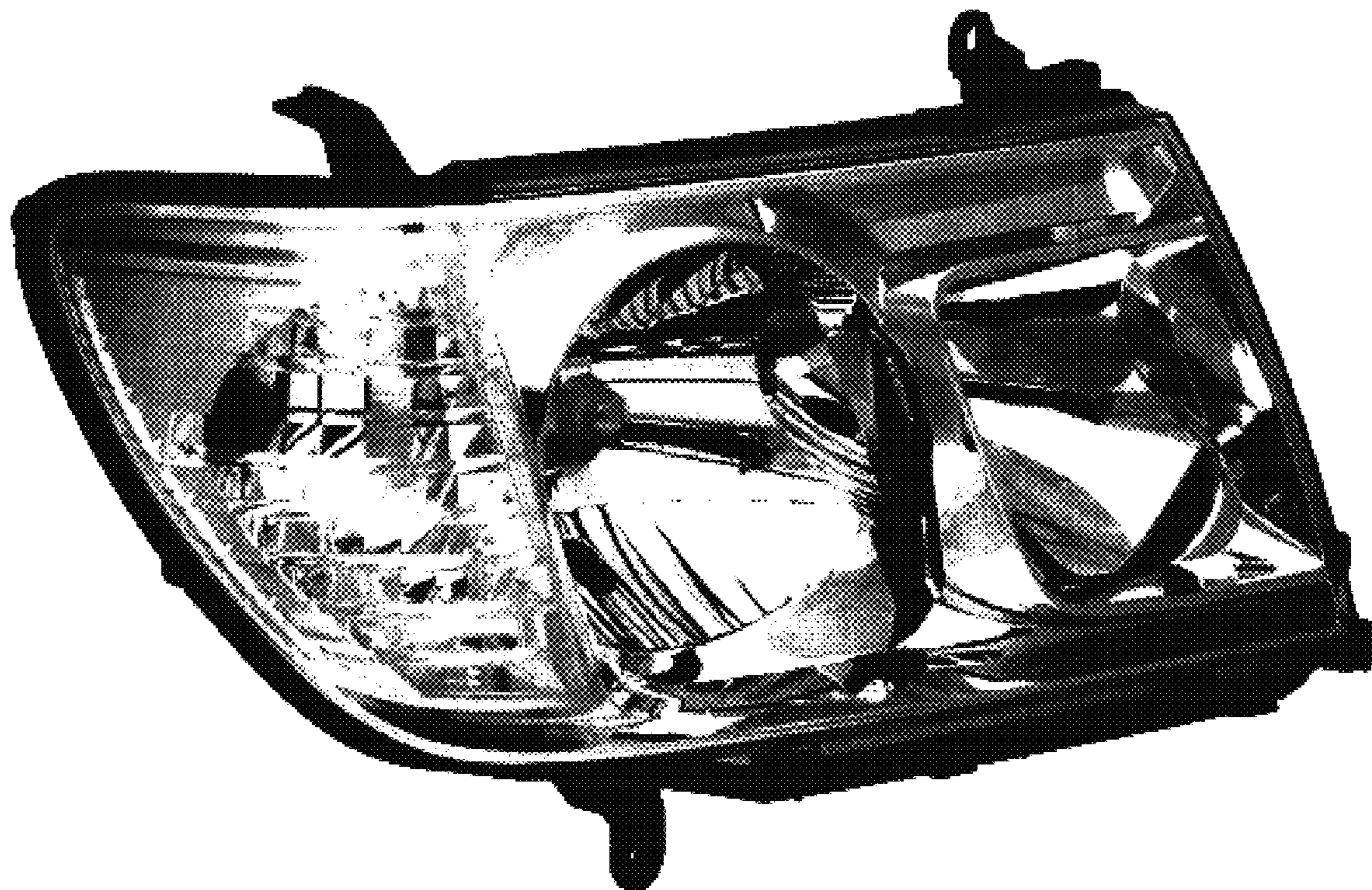
(57) **CLAIM**

The ornamental design for a front combination lamp for automobile, as shown and described.

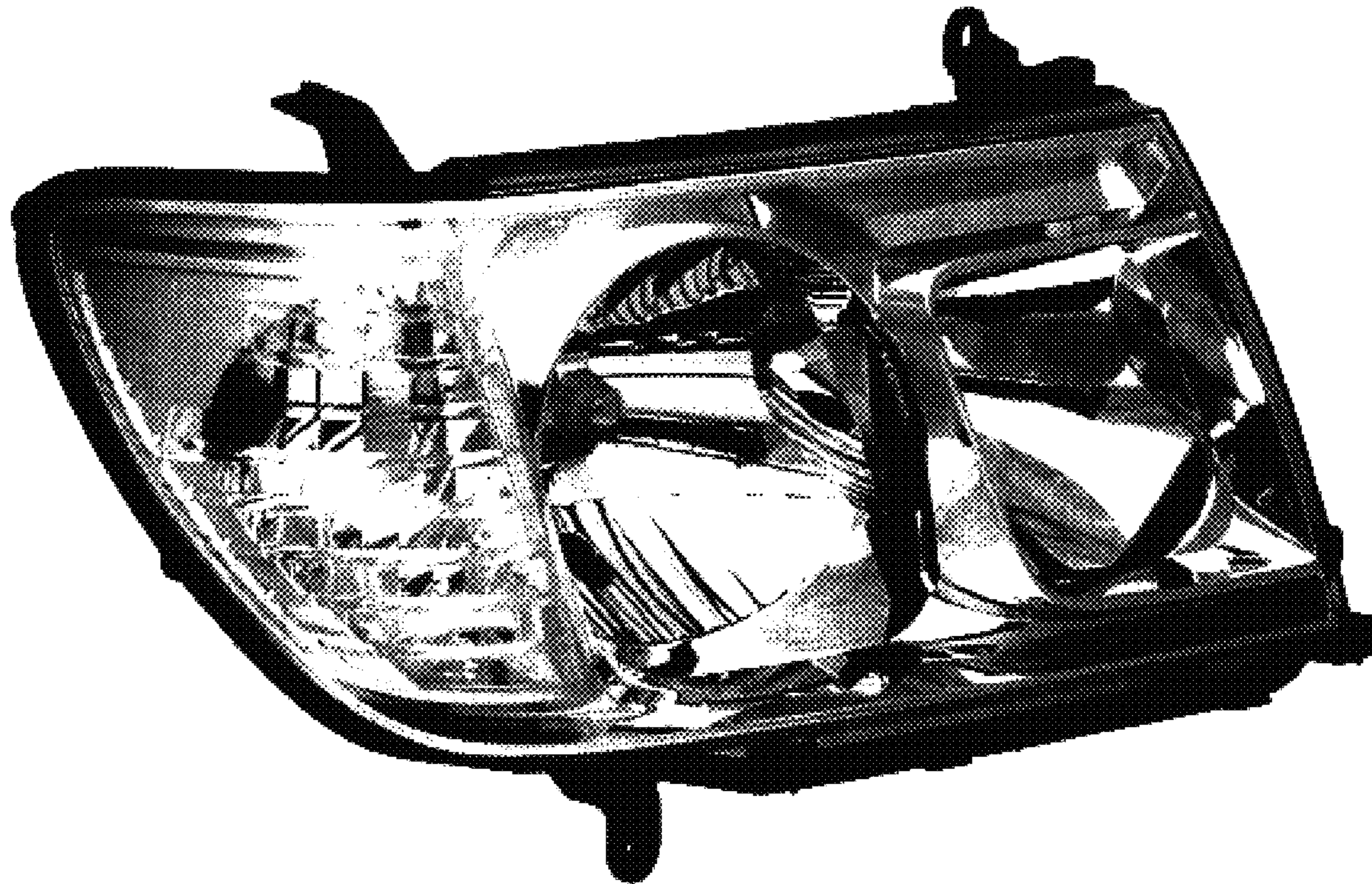
**DESCRIPTION**

FIG. 1 is a perspective view of a front combination lamp for automobile of our new design;  
FIG. 2 is a front view thereof;  
FIG. 3 is a rear view thereof;  
FIG. 4 is a top view thereof;  
FIG. 5 is a bottom view thereof;  
FIG. 6 is a left-side view thereof; and,  
FIG. 7 is a right-side view thereof.  
My design includes the mirror image of the embodiment depicted.

**1 Claim, 4 Drawing Sheets**

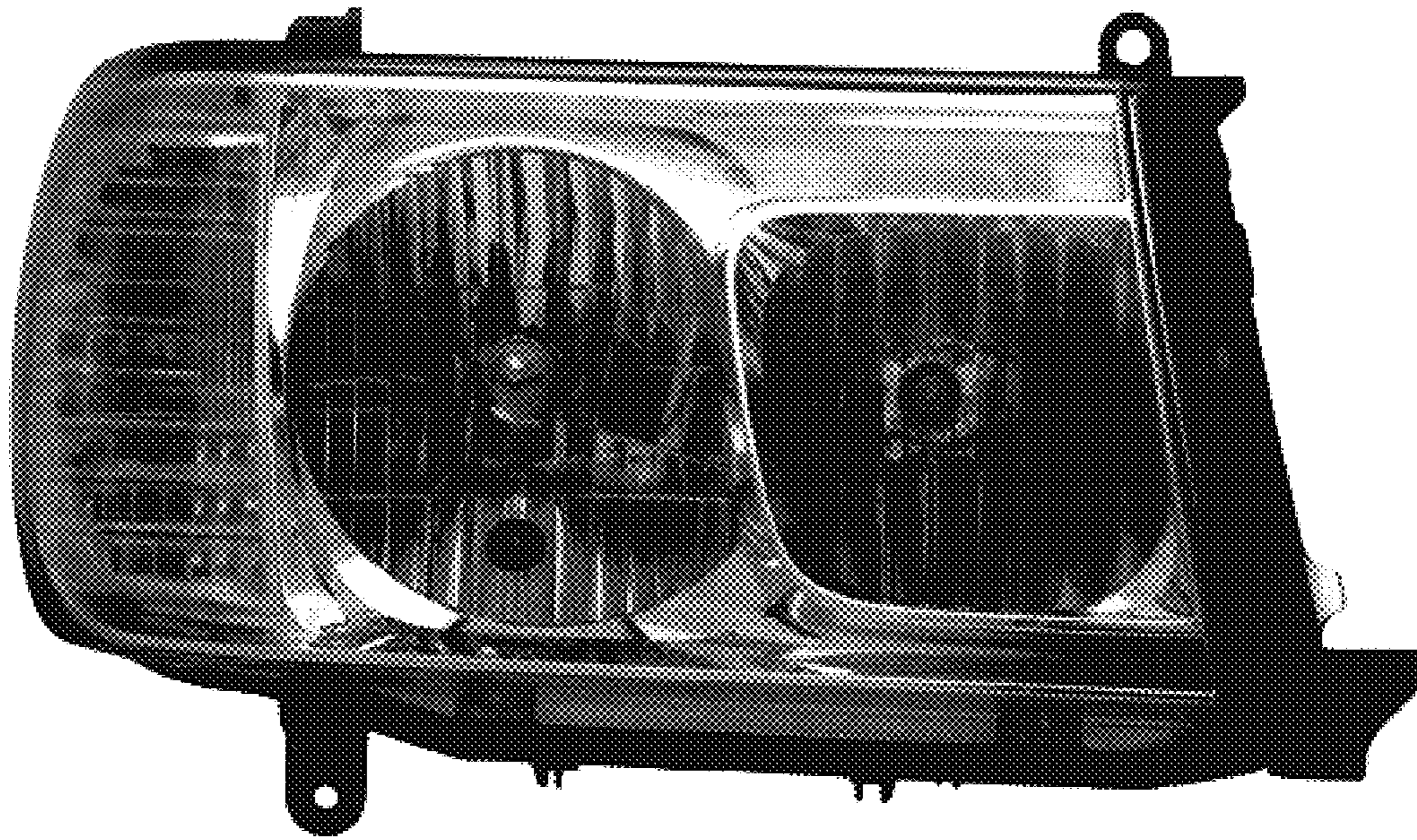




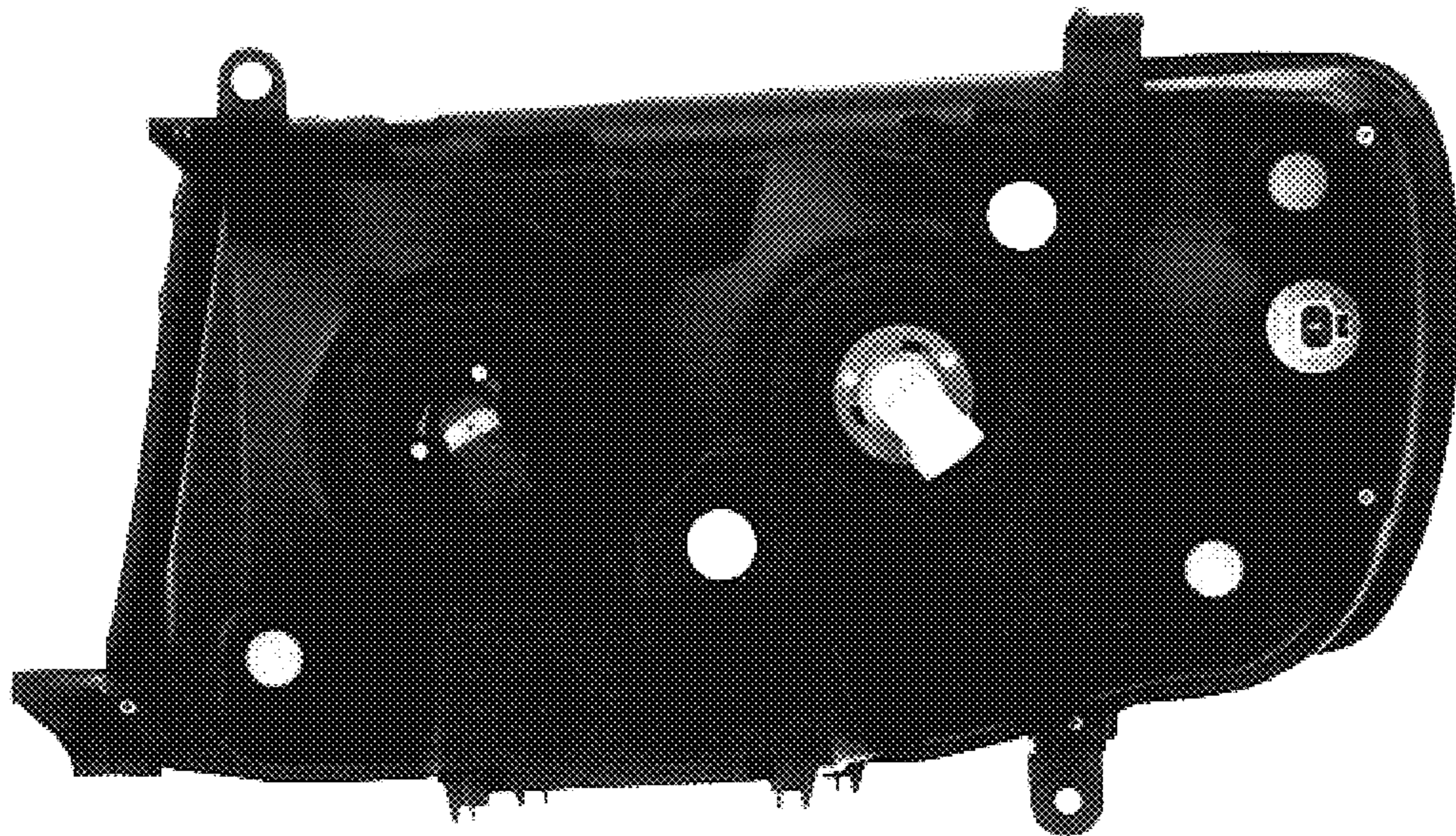


**FIG. 1**



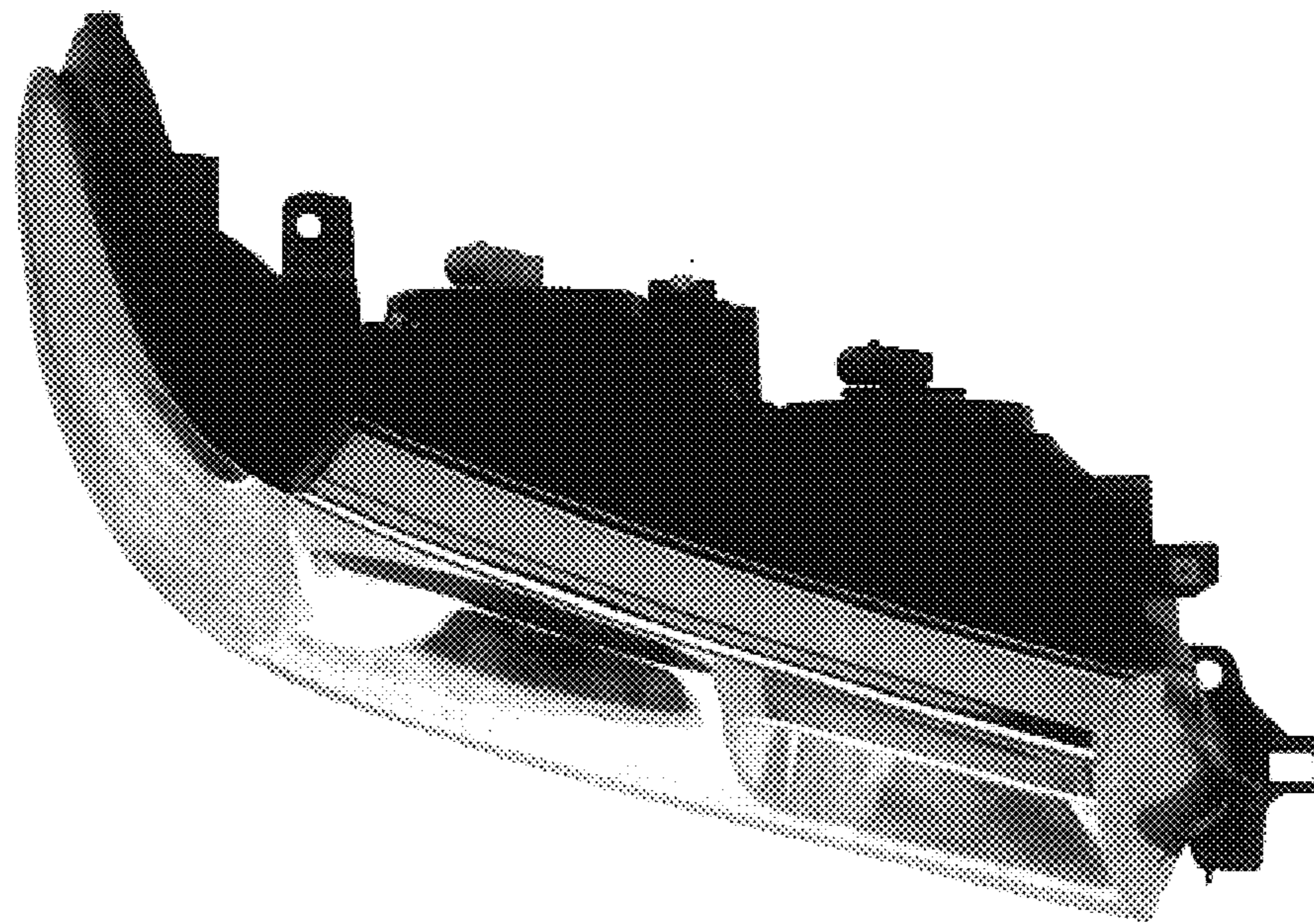


**FIG. 2**

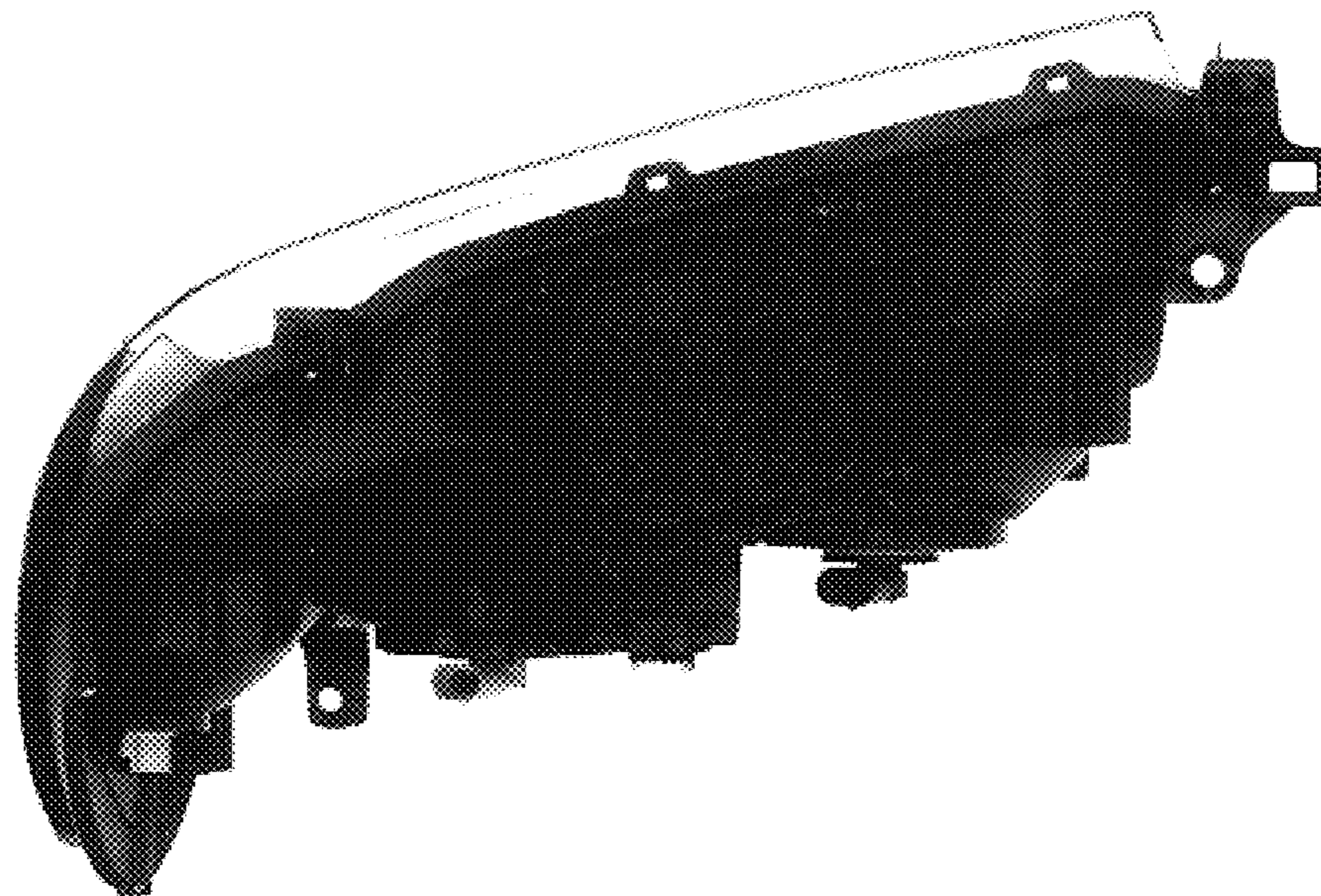


**FIG. 3**

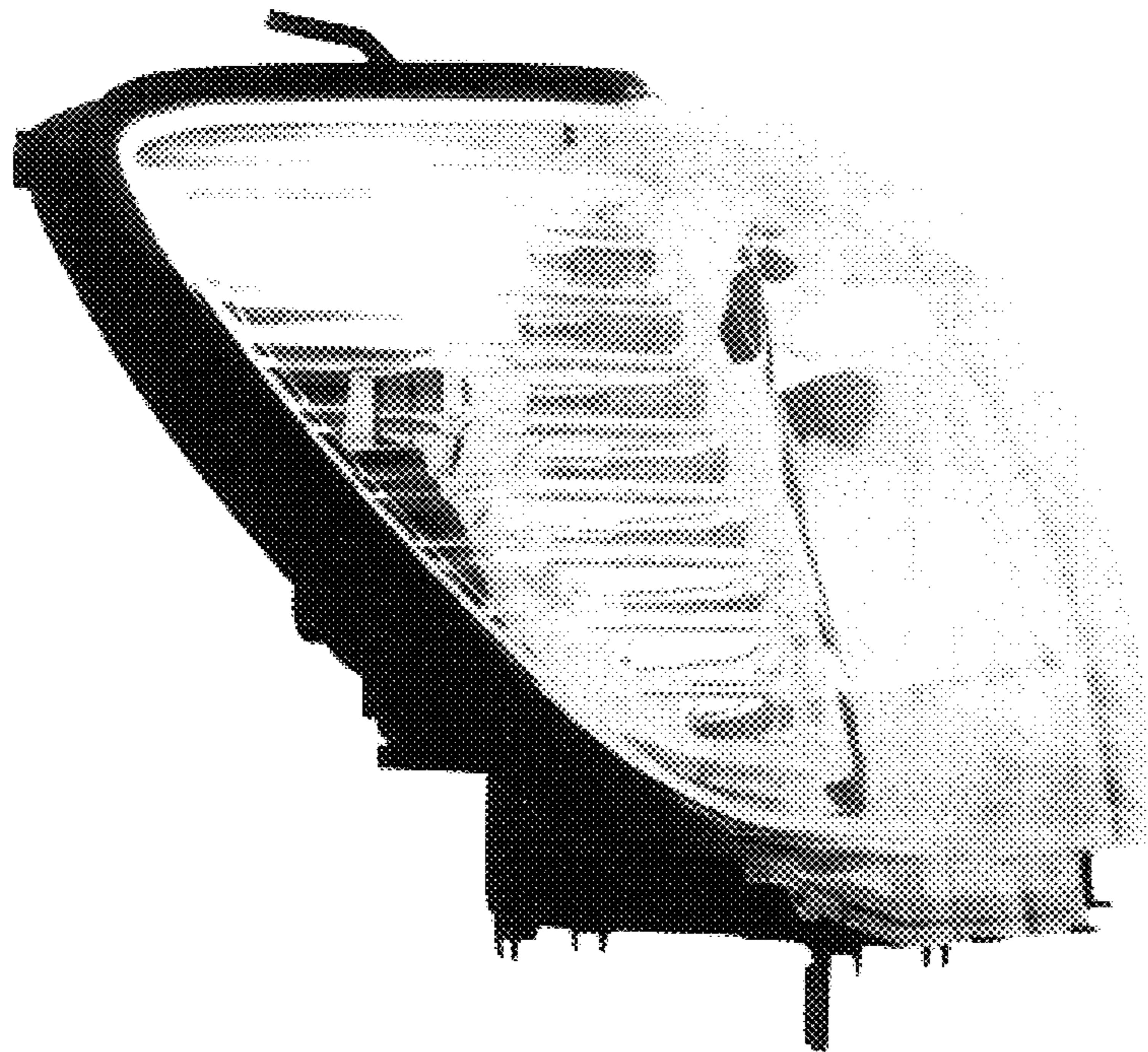




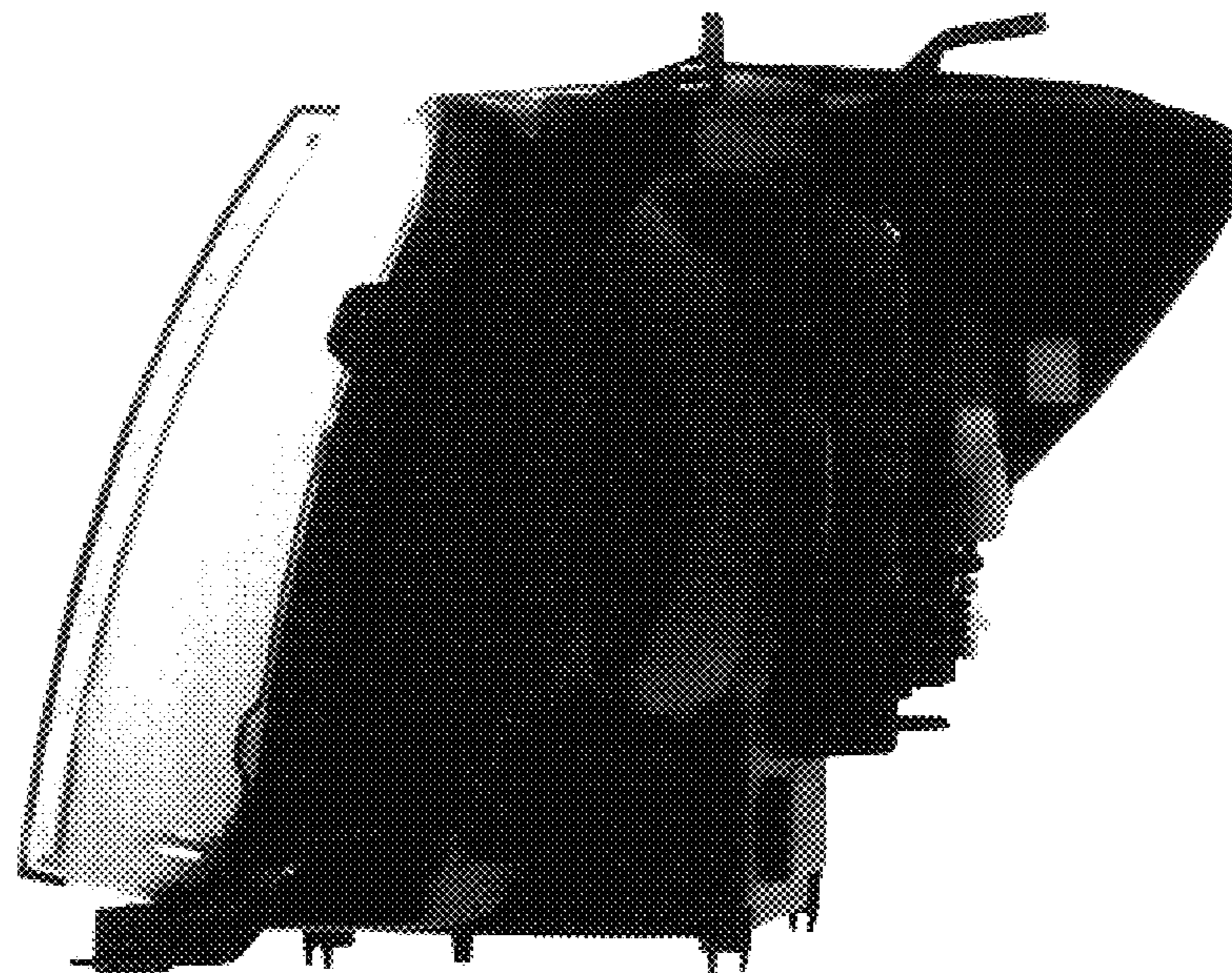
**FIG. 4**



**FIG. 5**



**FIG. 6**



**FIG. 7**