



US00D526422S

(12) **United States Design Patent**
Yuen

(10) **Patent No.:** **US D526,422 S**

(45) **Date of Patent:** **** Aug. 8, 2006**

(54) **SOFT GLOW NIGHTLIGHT**

(76) Inventor: **Se Kit Yuen**, 6/F., Yau Lee Centre, 45
Hoi Yuen Road, Kwun Tong, Kowloon,
Hong Kong (CN)

(**) Term: **14 Years**

(21) Appl. No.: **29/223,589**

(22) Filed: **Feb. 16, 2005**

(30) **Foreign Application Priority Data**

Jan. 12, 2005 (HK) 050083

(51) **LOC (8) Cl.** **26-05**

(52) **U.S. Cl.** **D26/26**

(58) **Field of Classification Search** D26/26,
D26/73, 94, 125, 127; 362/95, 653, 640-644,
362/147, 404, 800, 806

See application file for complete search history.

(56) **References Cited**

U.S. PATENT DOCUMENTS

D347,288 S	*	5/1994	Ham	D26/26
D352,564 S	*	11/1994	Marischen	D26/26
D376,436 S	*	12/1996	Emmerling	D26/26
D377,535 S	*	1/1997	Shulman	D26/26
5,662,408 A	*	9/1997	Marischen	362/641
D392,756 S	*	3/1998	Hanig et al.	D26/26

D408,934 S	*	4/1999	Garrity	D26/26
D426,657 S	*	6/2000	Joss	D26/26

OTHER PUBLICATIONS

“Limelite” night light by JASCO Products Co., Model #55507. Found online at acehardwareoutlet.com on Jan. 13, 2006.*

* cited by examiner

Primary Examiner—Clare E Heflin

(57) **CLAIM**

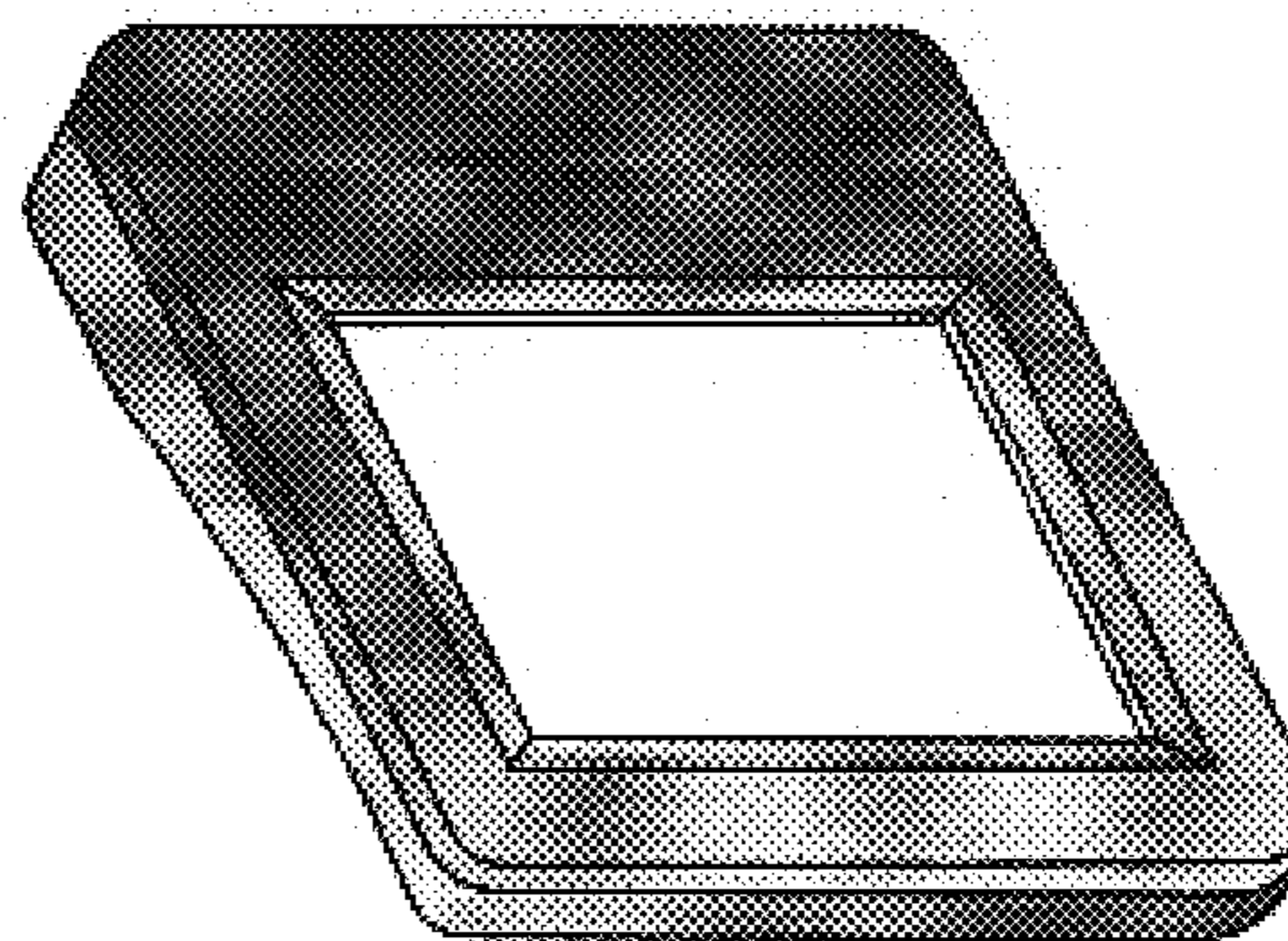
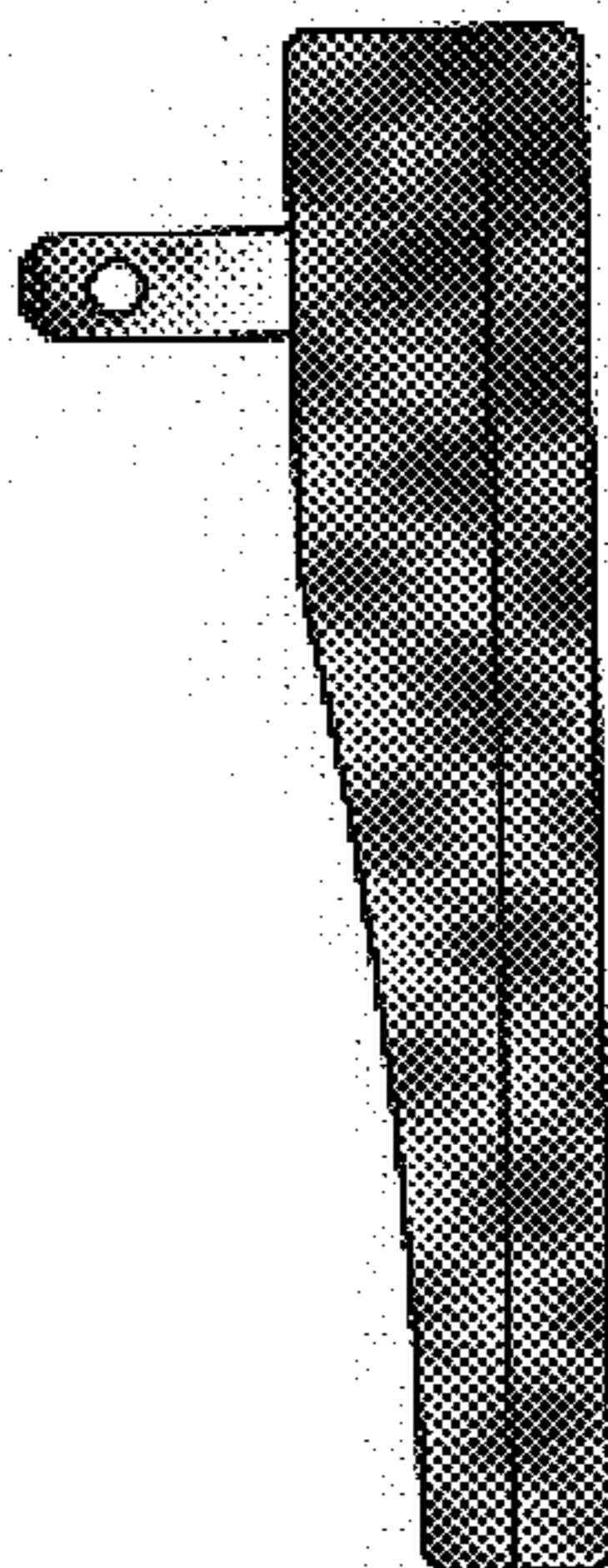
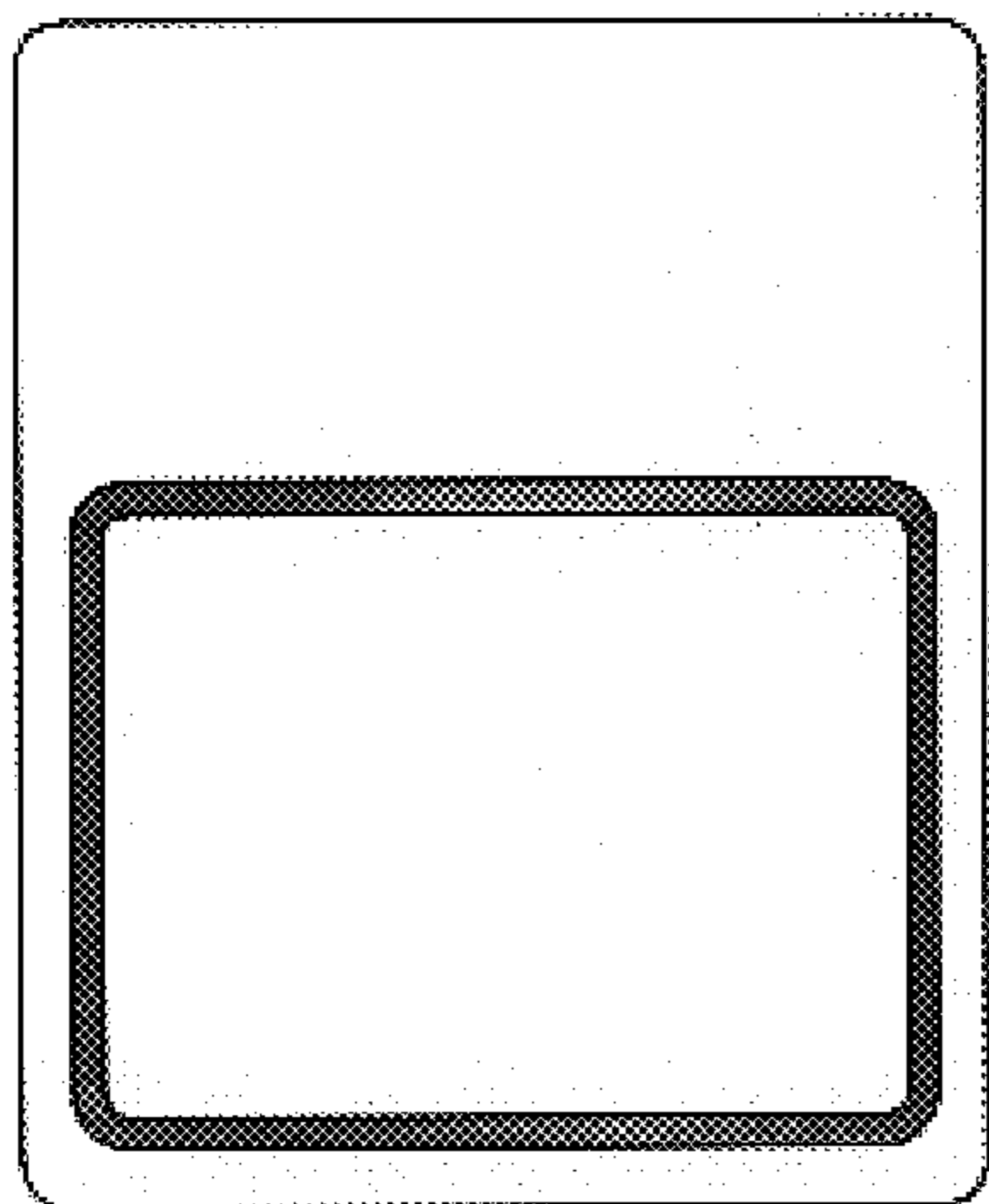
The ornamental design for a soft glow nightlight, as shown and described.

DESCRIPTION

FIG. 1 is a front view showing my new design.
 FIG. 2 is a rear view thereof.
 FIG. 3 is a side view thereof;
 FIG. 4 is an opposite side view thereof;
 FIG. 5 is a top plan view thereof;
 FIG. 6 is a bottom plan view thereof;
 FIG. 7 is a front isometric view thereof; and,
 FIG. 8 is a rear isometric view thereof.

The surface(s) or portion(s) of the article not shown in the drawing or described in the specification form(s) no part of the claimed design.

1 Claim, 8 Drawing Sheets



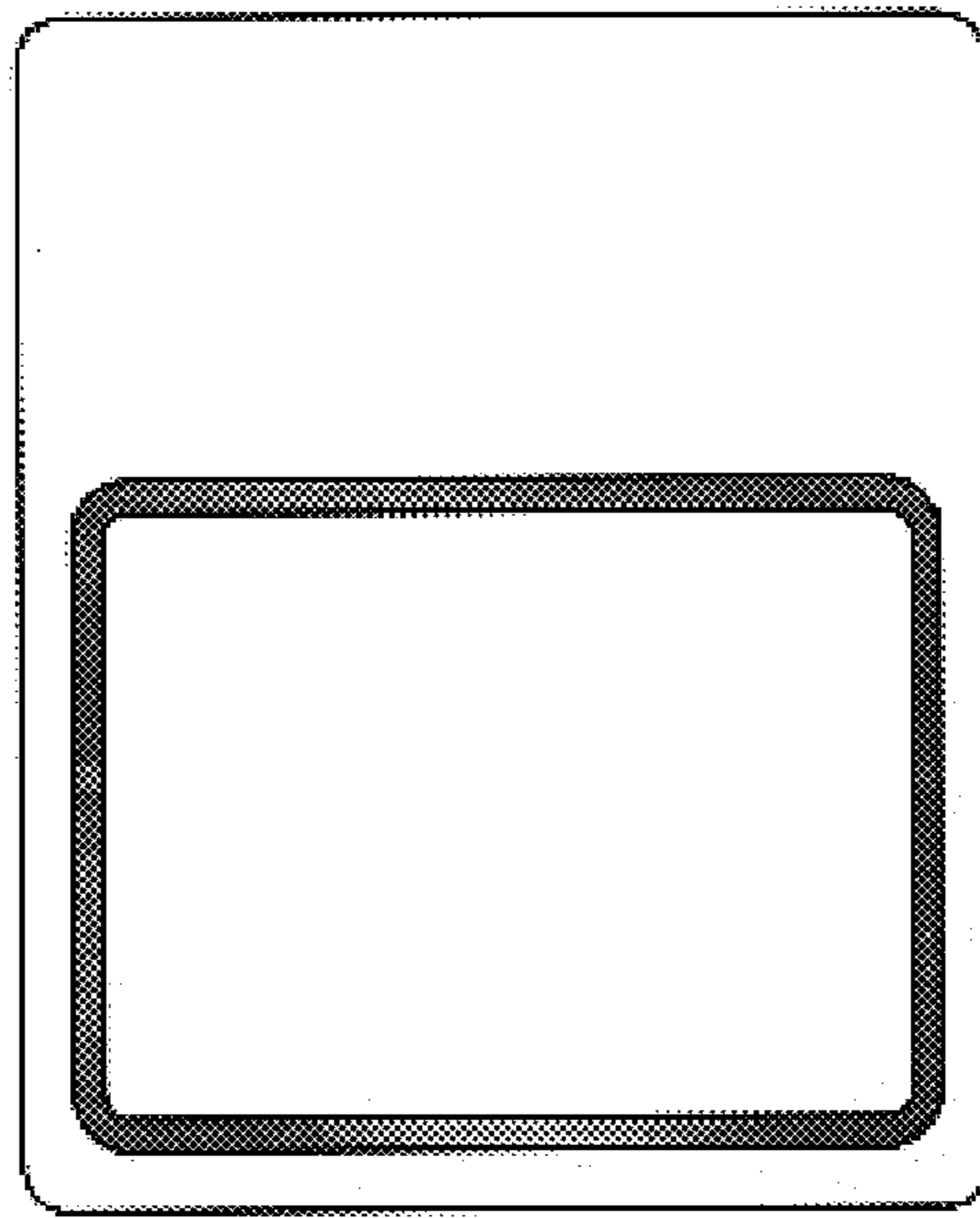


Fig. 1

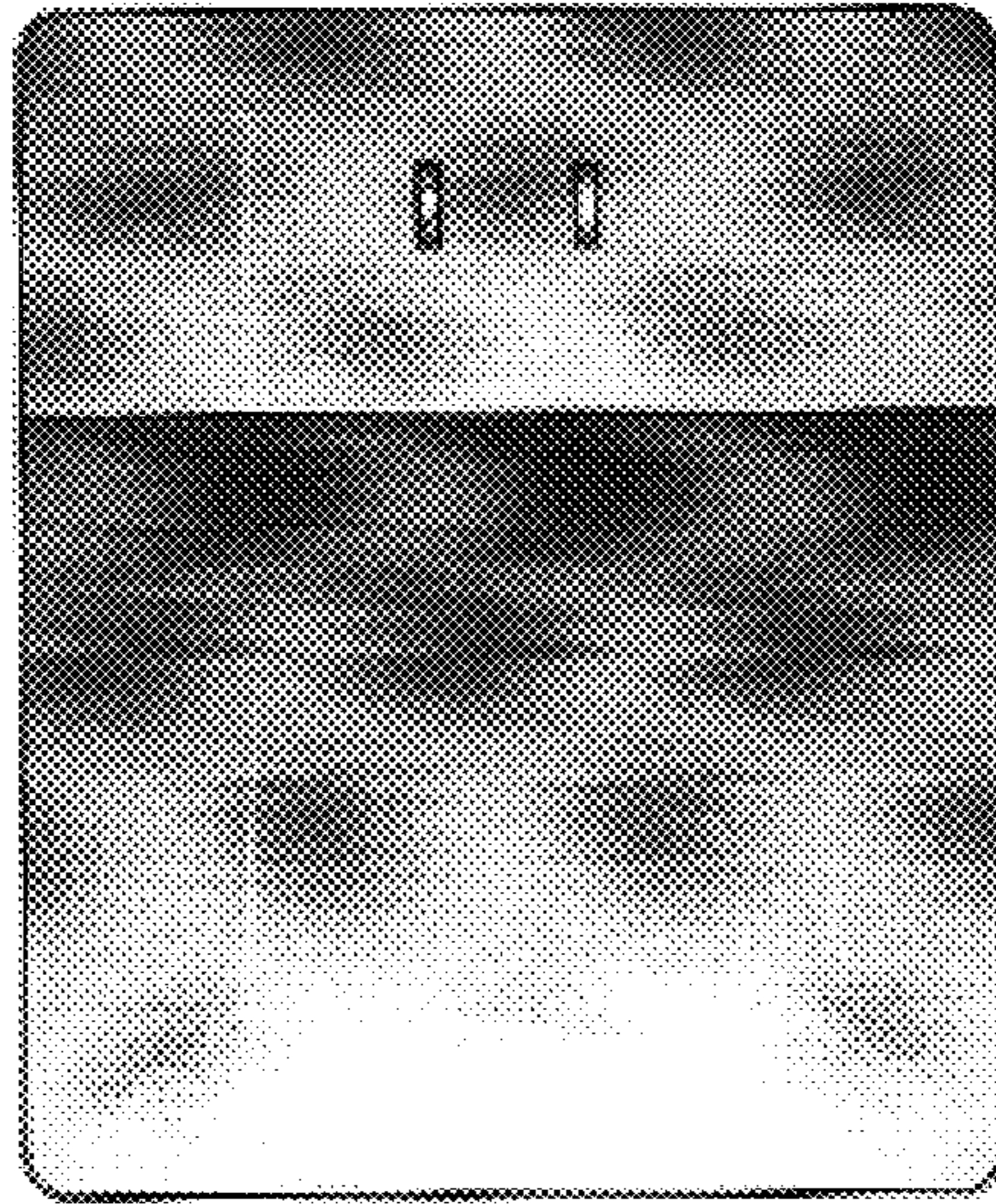


Fig. 2

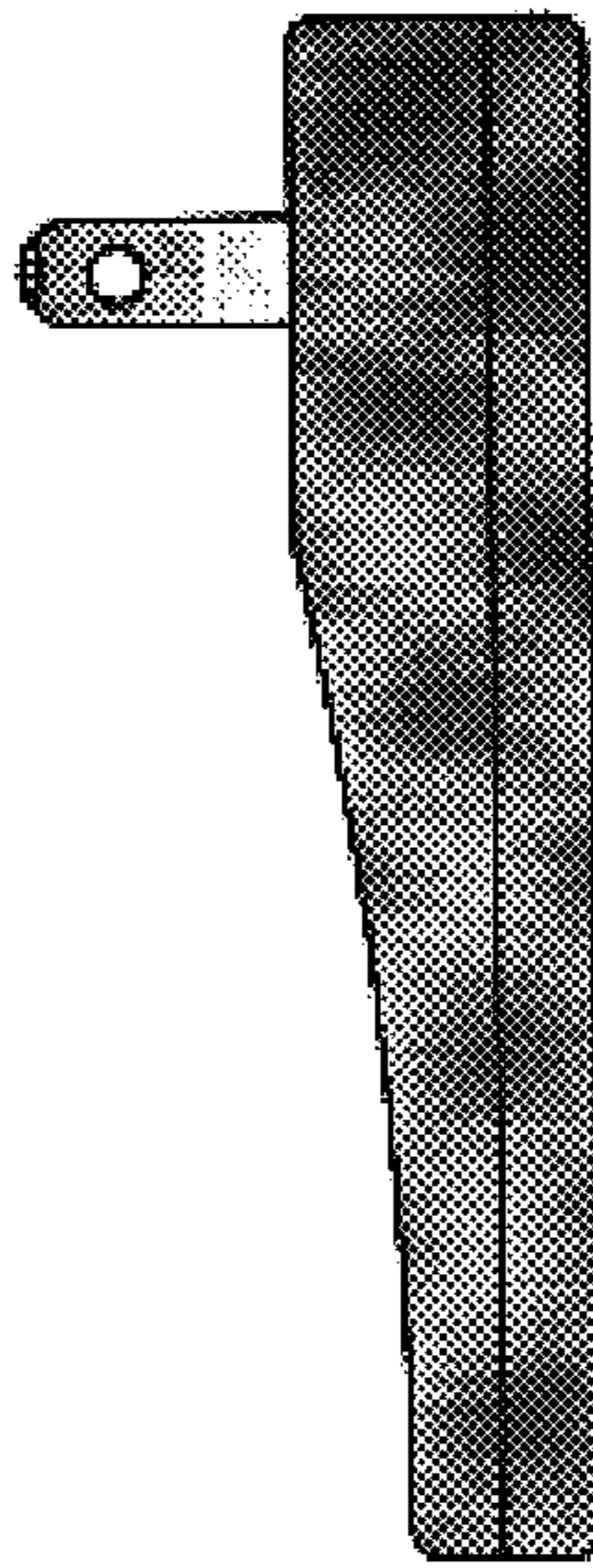


Fig. 3

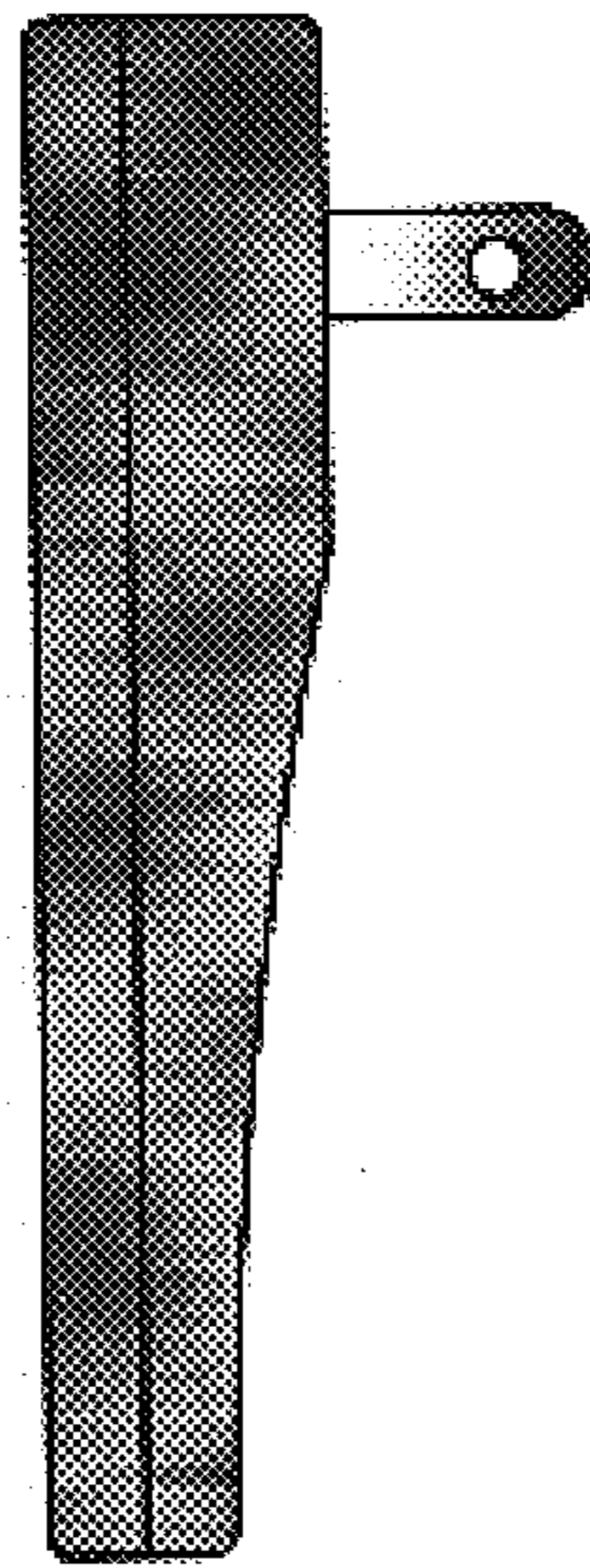


Fig. 4

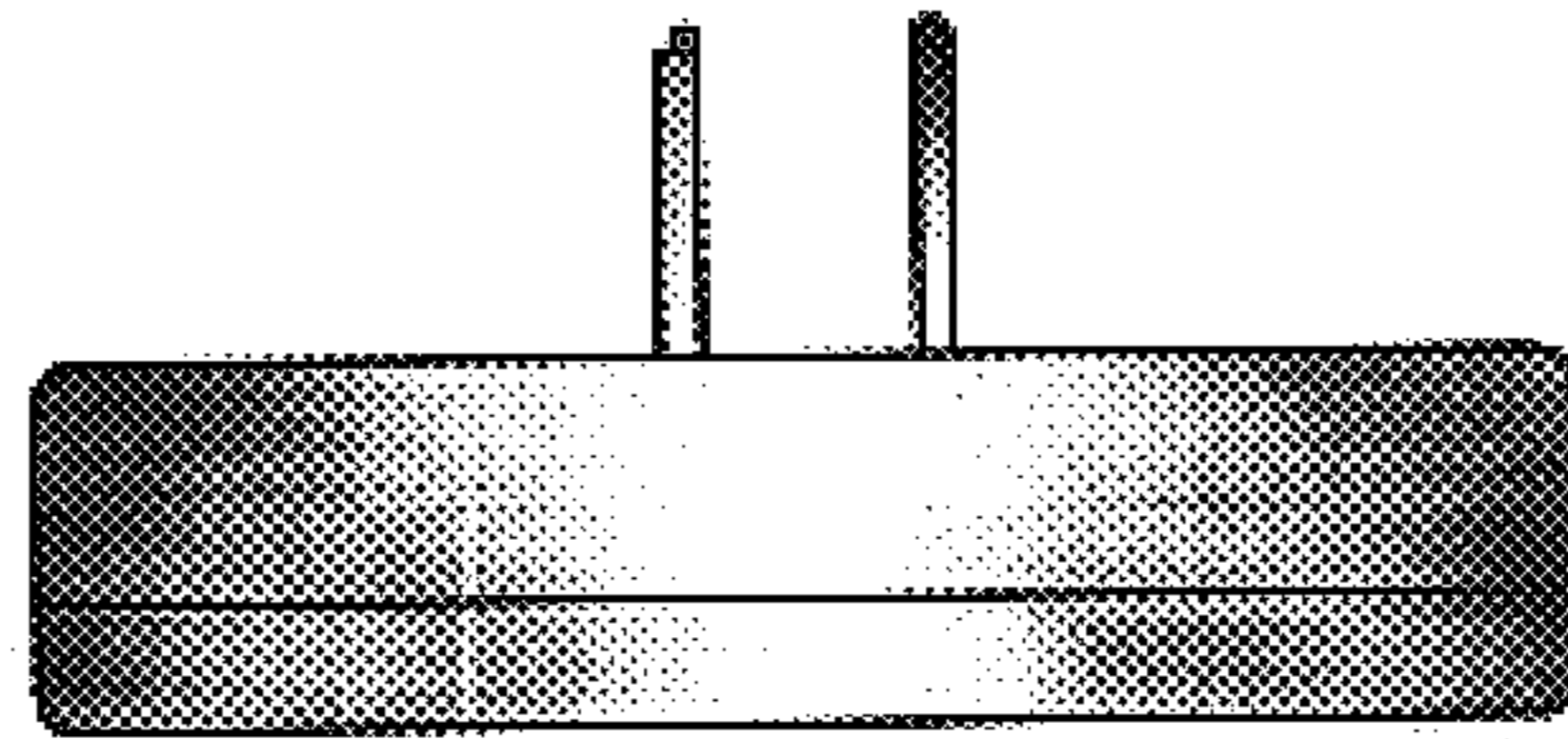


Fig. 5

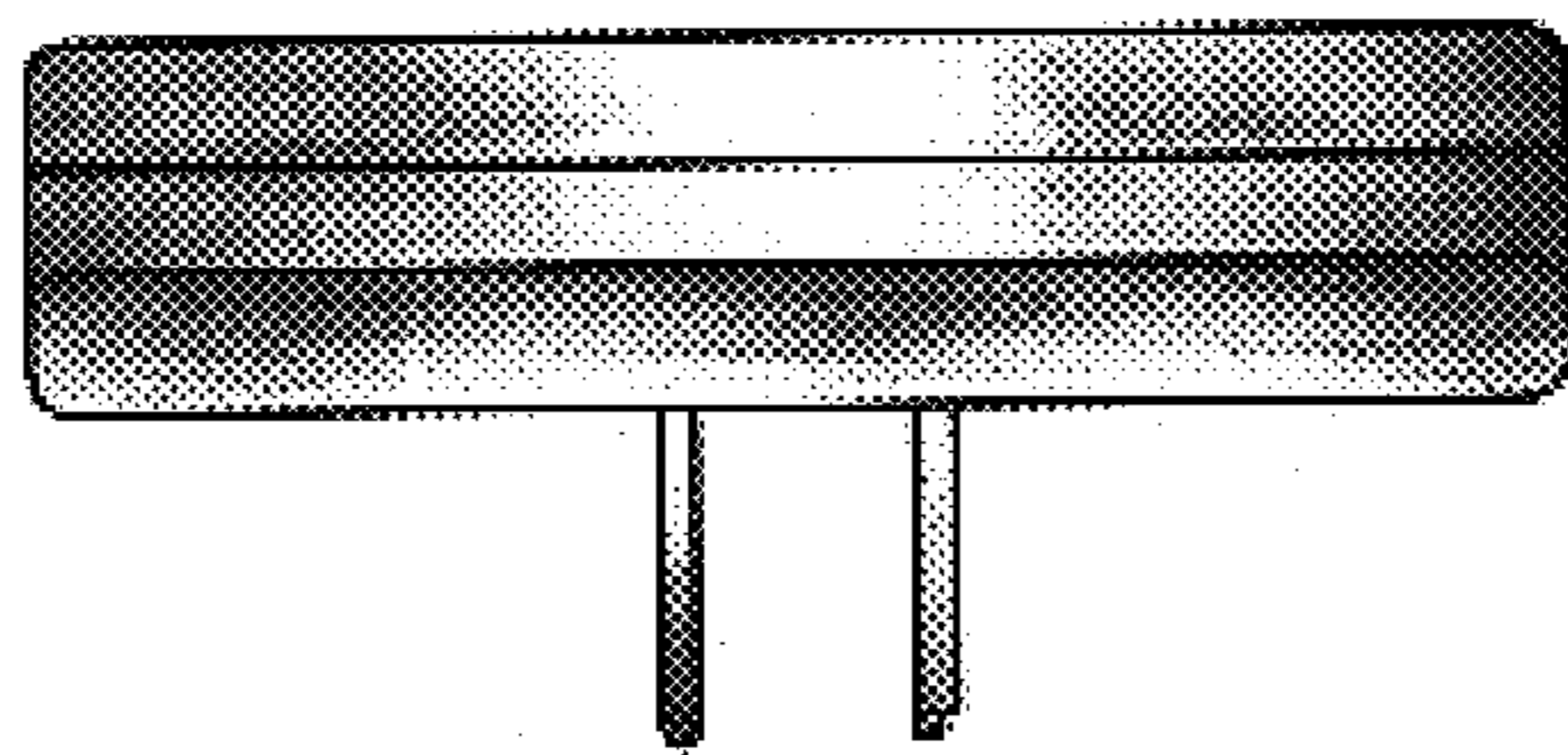


Fig. 6

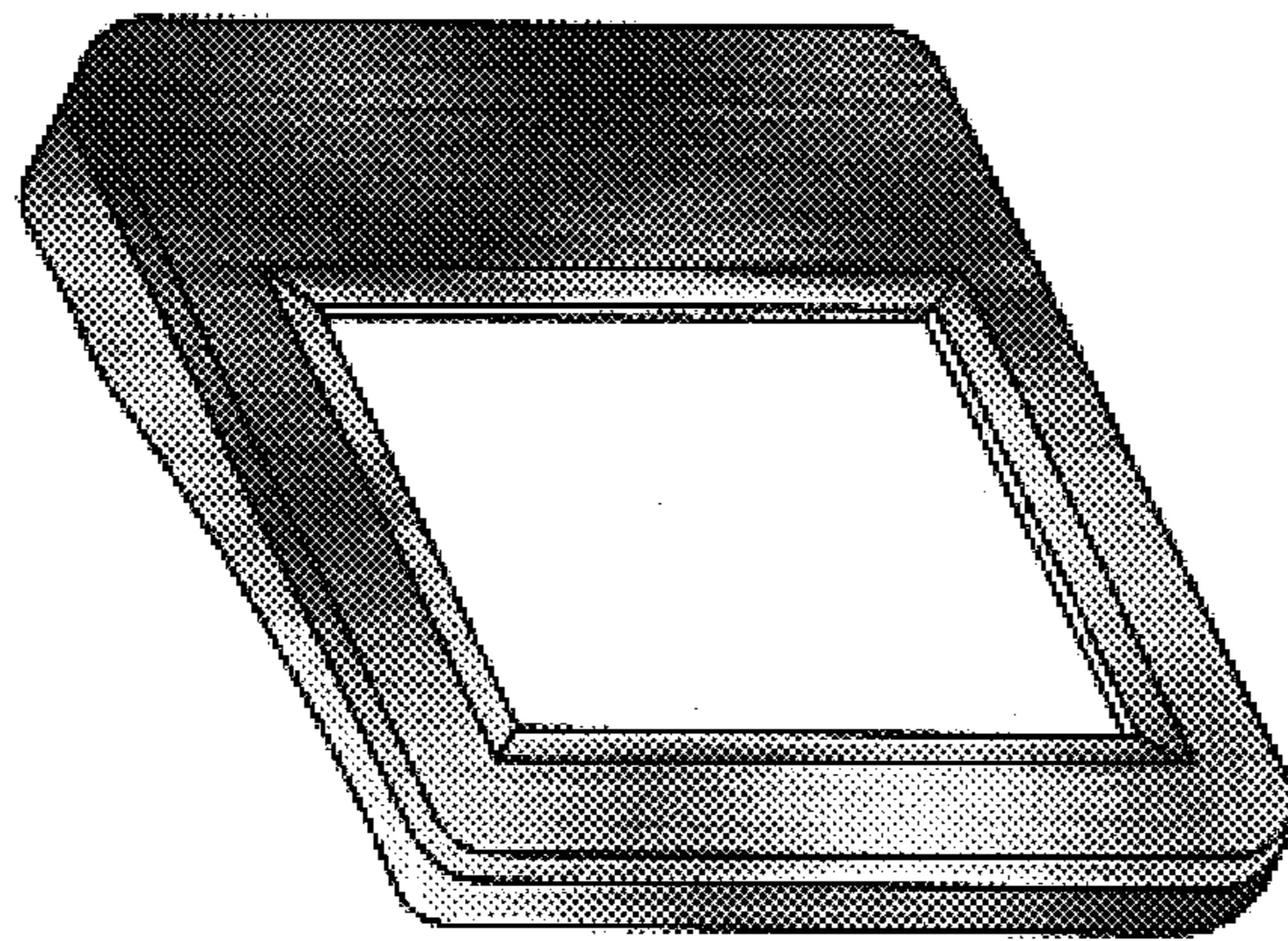


Fig. 7

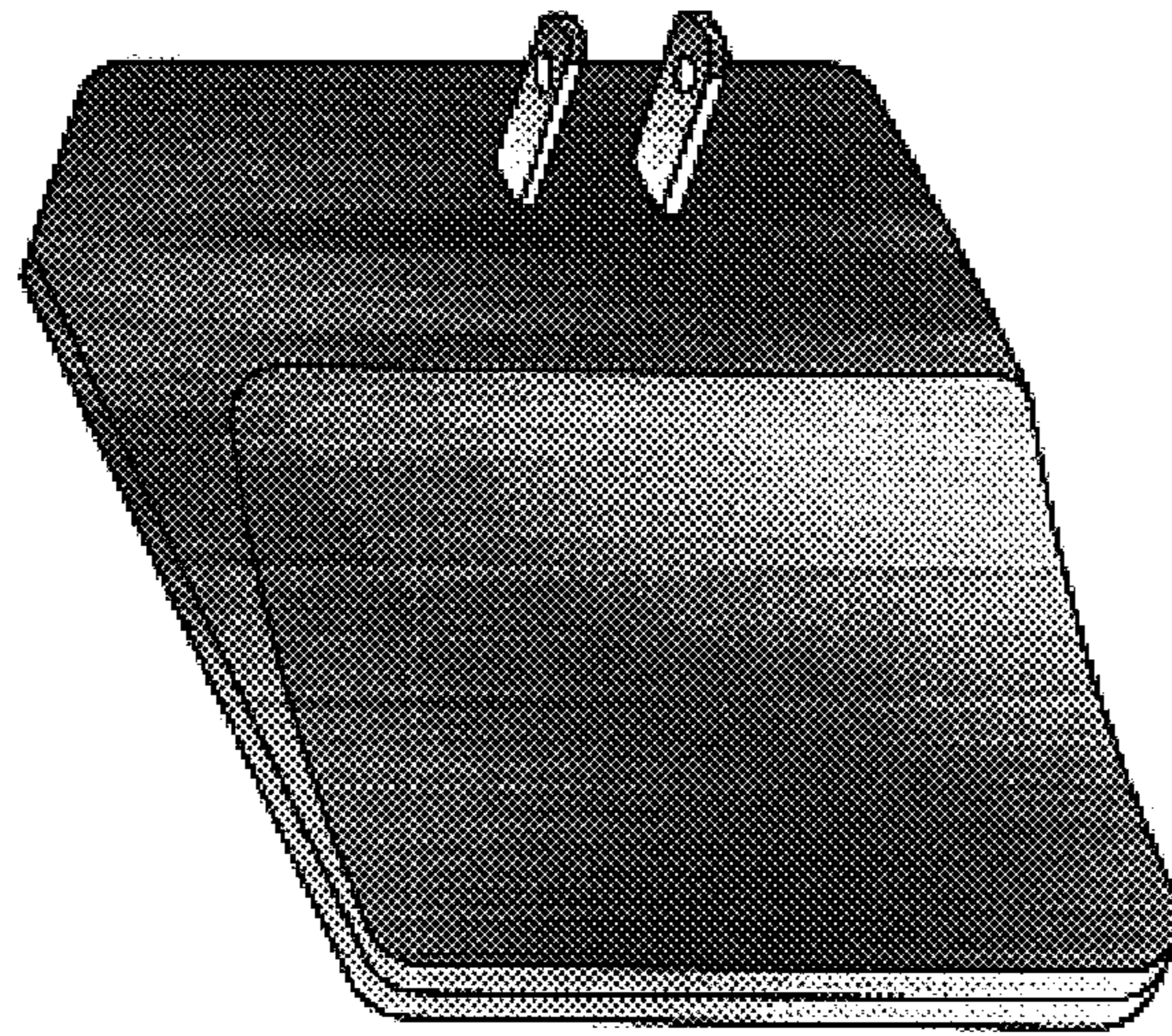


Fig. 8