



US00D526421S

(12) **United States Design Patent**  
**Konkle, Jr. et al.**

(10) **Patent No.:** **US D526,421 S**  
(45) **Date of Patent:** **\*\* Aug. 8, 2006**

(54) **OIL LAMP**

(75) Inventors: **Stephen A. Konkle, Jr.**, Kirkland, WA (US); **Robert W. Anderson**, Kirkland, WA (US); **Carol M. Anderson**, Kirkland, WA (US); **Sandra J. Konkle**, Kirkland, WA (US)

(73) Assignee: **CS3, LLC**, Bellevue, WA (US)

(\*\*) Term: **14 Years**

(21) Appl. No.: **29/197,093**

(22) Filed: **Jan. 8, 2004**

(51) **LOC (8) Cl.** ..... **26-01**

(52) **U.S. Cl.** ..... **D26/11**

(58) **Field of Classification Search** ..... D26/6,  
D26/7, 9-11; 431/288, 291, 311, 320; 362/172,  
362/161

See application file for complete search history.

(56) **References Cited**

**U.S. PATENT DOCUMENTS**

4,693,681	A	*	9/1987	Comstock	.....	431/324
D301,749	S	*	6/1989	Comstock	.....	D26/9
6,033,209	A	*	3/2000	Shin et al.	.....	431/253
D433,168	S	*	10/2000	Cousins	.....	D26/9
6,129,771	A	*	10/2000	Ficke et al.	.....	44/275
6,785,939	B1	*	9/2004	James	.....	27/1

**OTHER PUBLICATIONS**

U.S. Appl. No. 29/197,094, filed Jan. 8, 2004, Konkle, Jr. et al.

U.S. Appl. No. 10/756,202, filed Jan. 12, 2004, Konkle, Jr. et al.

\* cited by examiner

*Primary Examiner*—Robin Webster

(74) *Attorney, Agent, or Firm*—Seed IP Law Group PLLC

(57) **CLAIM**

The ornamental design for an oil lamp, as shown and described.

**DESCRIPTION**

FIG. 1 is a top, front isometric view of an oil lamp.

FIG. 2 is a front elevational view thereof; the rear, right and left elevational views thereof are identical to the front elevational view.

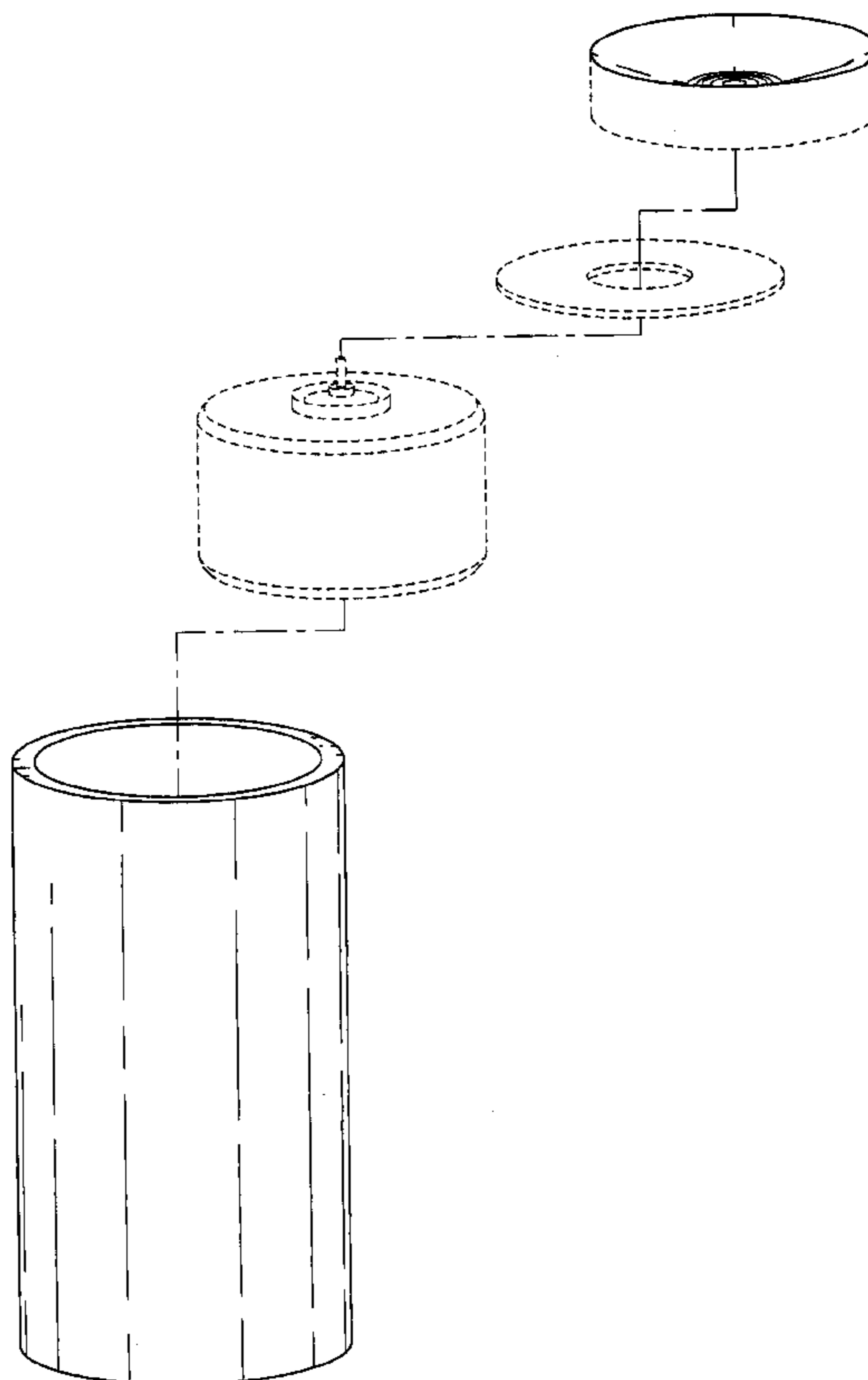
FIG. 3 is a top plan view thereof.

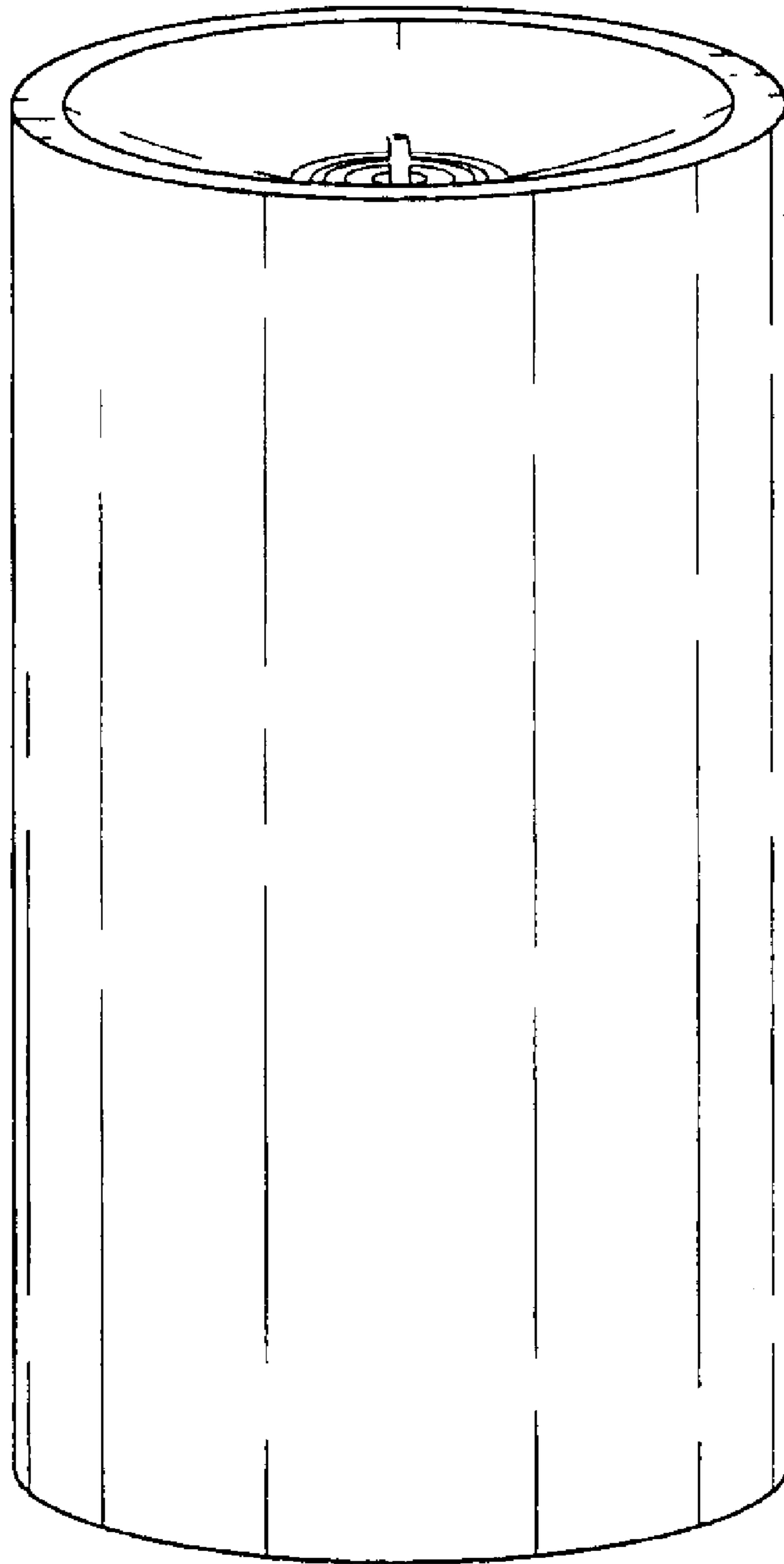
FIG. 4 is a bottom plan view thereof; and,

FIG. 5 is an exploded top, front isometric view illustrating an oil canister, wick and opaque screen receivable by the oil lamp.

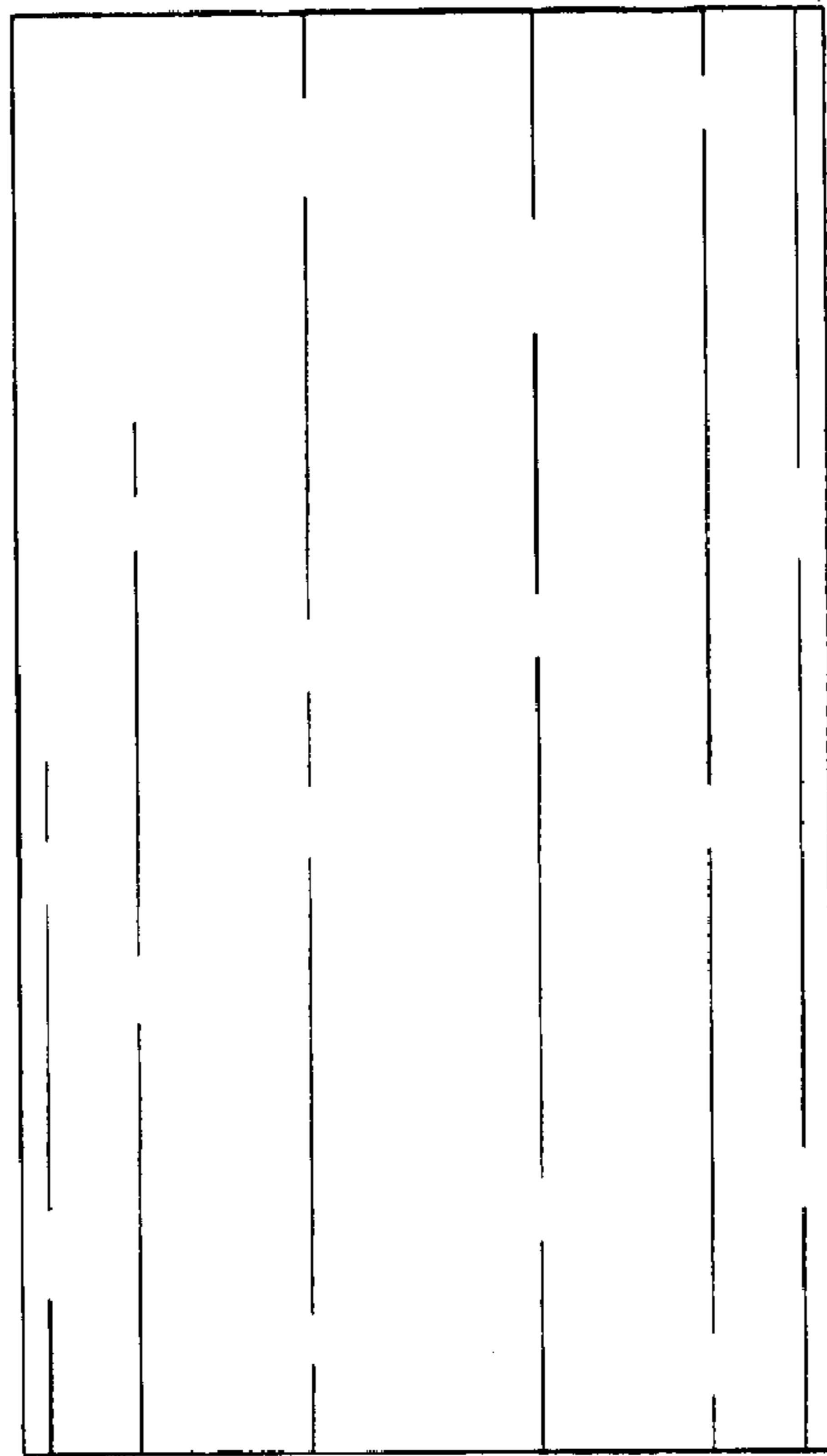
The broken lines in the figures are for illustrative purposes only and form no part of the claimed design.

**1 Claim, 3 Drawing Sheets**

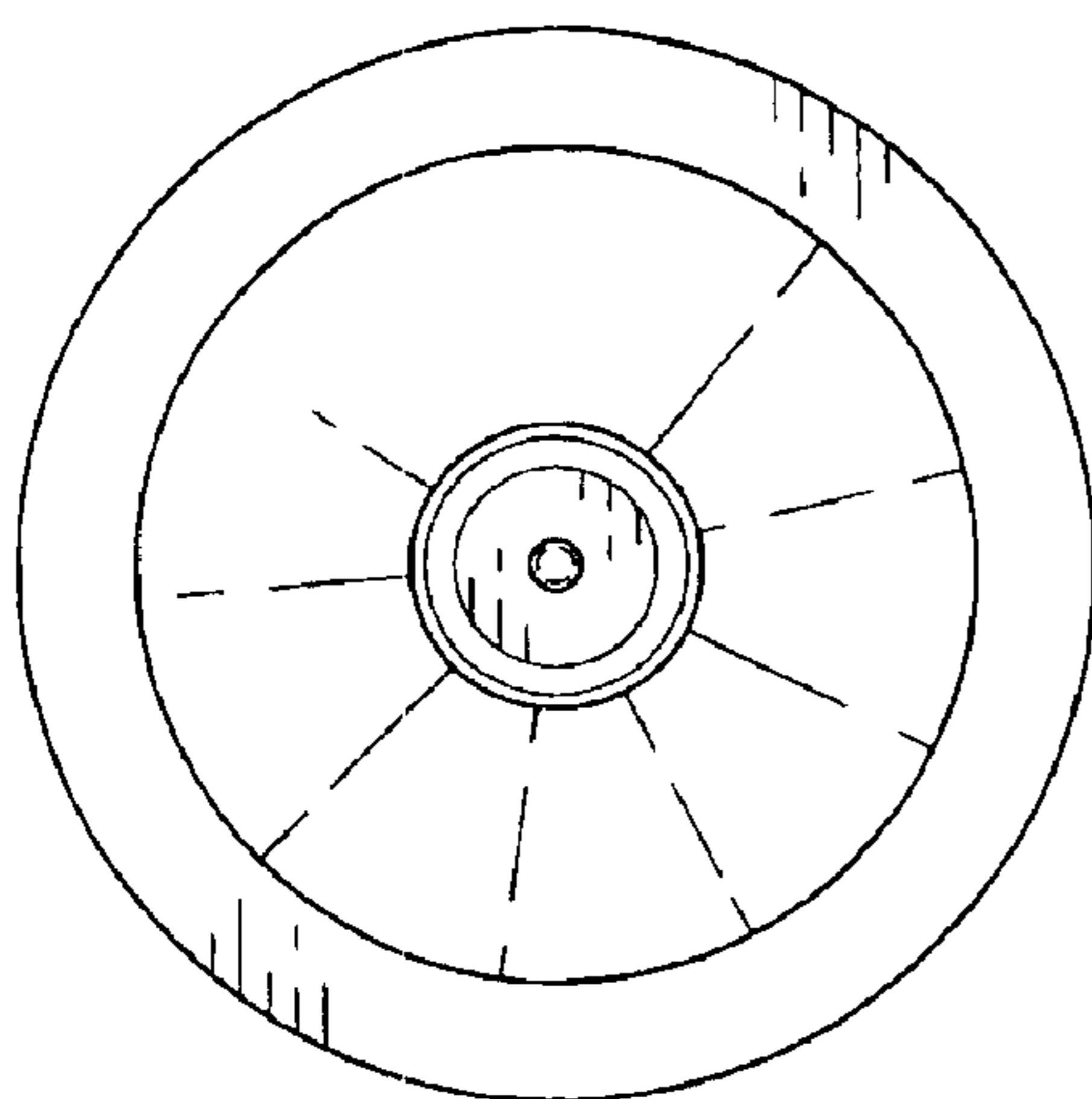




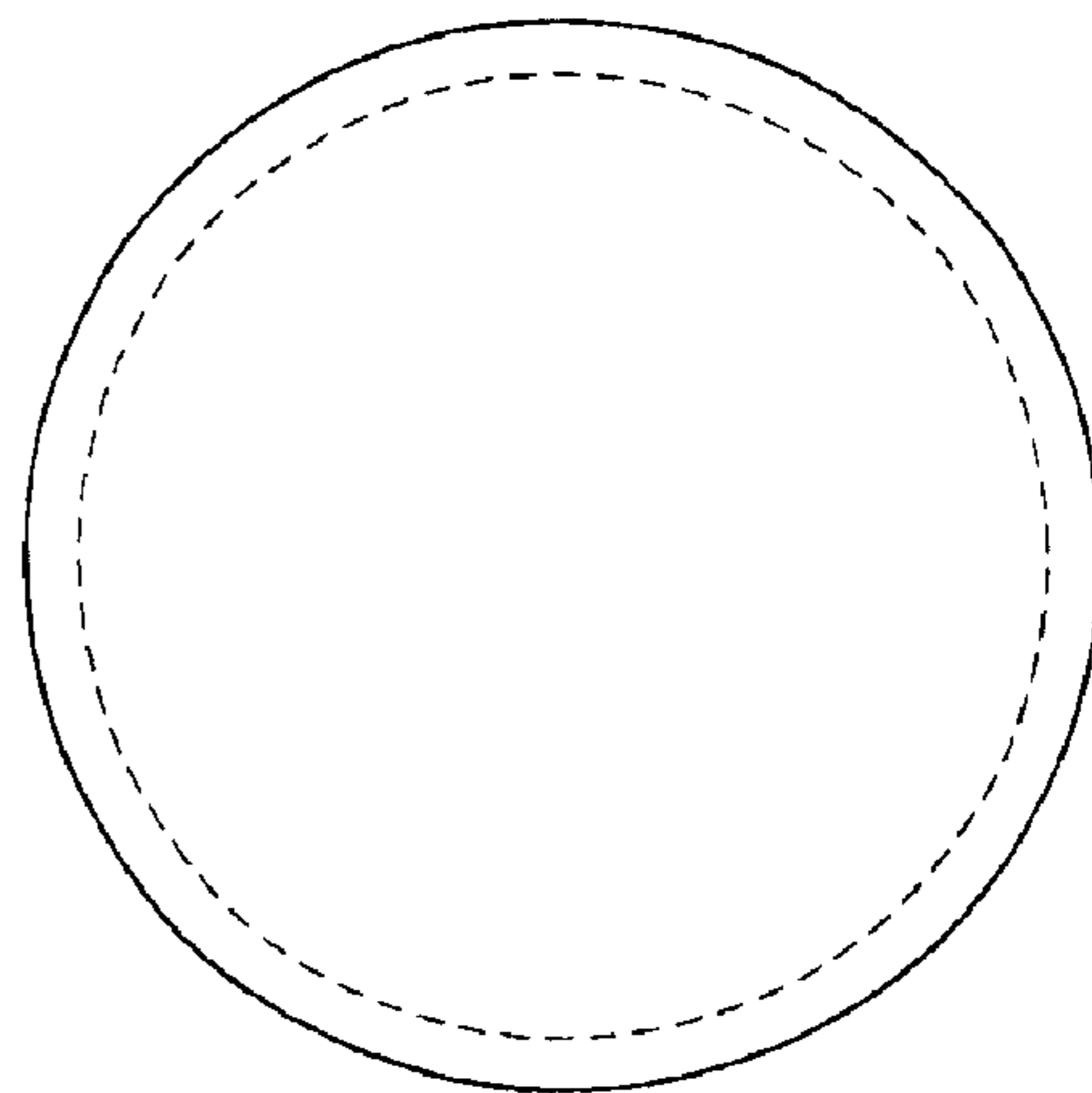
*FIG. 1*



*FIG. 2*



*FIG. 3*



*FIG. 4*

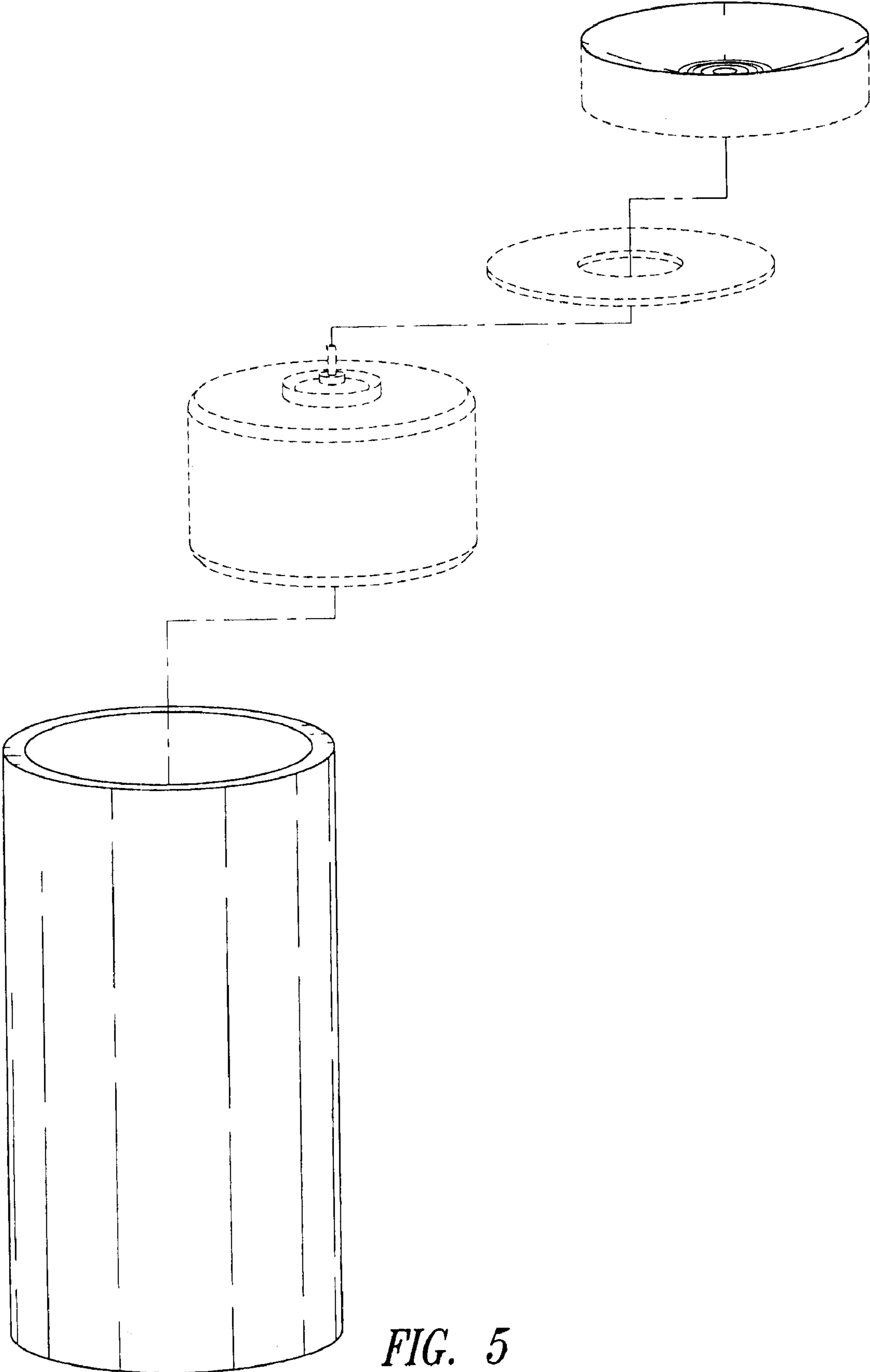


FIG. 5