



US00D526418S

(12) **United States Design Patent** (10) **Patent No.:** **US D526,418 S**
Walsh et al. (45) **Date of Patent:** **** Aug. 8, 2006**

(54) **DOOR FACING**

D77,542 S * 1/1929 Gaston D25/48

(75) Inventors: **Jason M. Walsh**, Batavia, IL (US);
Steven K. Lynch, St. Charles, IL (US);
Mark A. Ruggie, Franklin Park, IL (US)

* cited by examiner

Primary Examiner—Doris Clark
(74) *Attorney, Agent, or Firm*—Berenato, White and Stavish, LLC

(73) Assignee: **Masonite Corporation**, Tampa, FL (US)

(57) **CLAIM**

The ornamental design for a door facing, as shown and described.

(**) Term: **14 Years**

DESCRIPTION

(21) Appl. No.: **29/207,798**

FIG. 1 is a front perspective view of our design;

(22) Filed: **Jun. 21, 2004**

FIG. 2 is a front elevational view;

(51) **LOC (8) Cl.** **25-02**

FIG. 3 is a rear elevational view;

(52) **U.S. Cl.** **D25/48; D25/138**

FIG. 4 is a top plan view;

(58) **Field of Classification Search** D25/48,
D25/47, 138; 52/63, 64, 71, 455, 456, 457,
52/458, 474, 762, 764, 782.1, 784.1; 428/45;
49/501, 504

FIG. 5 is a bottom plan view;

See application file for complete search history.

FIG. 6 is a cross sectional view taken along the line 6—6 of FIG. 2 and viewed in the direction of the arrows;

FIG. 7 is an enlarged fragmentary cross sectional view taken from FIG. 6;

(56) **References Cited**

FIG. 8 is a left side elevational view;

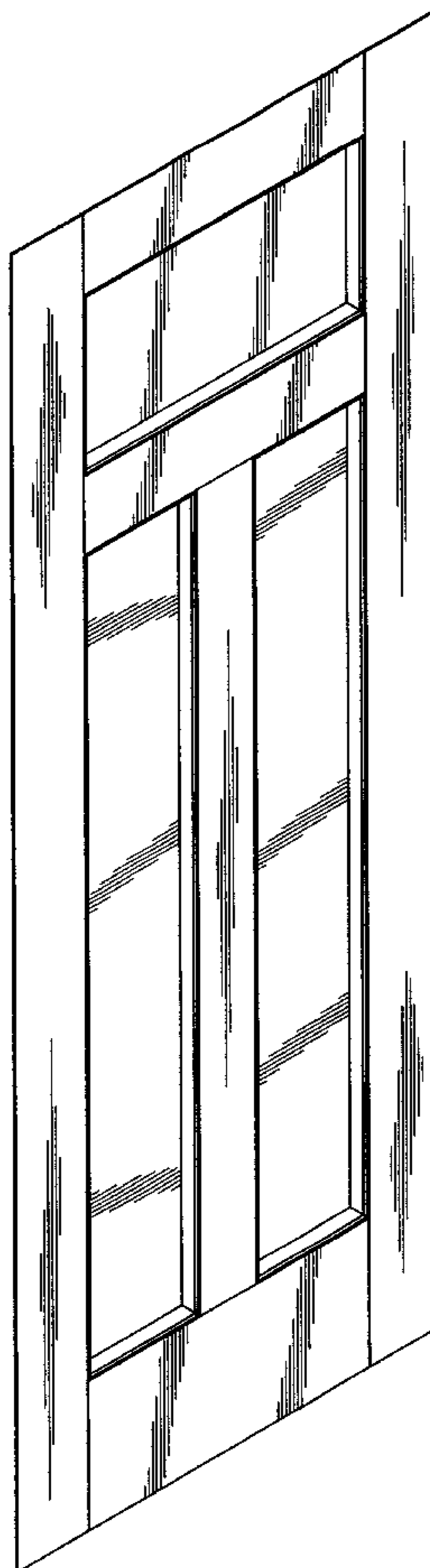
U.S. PATENT DOCUMENTS

FIG. 9 is a right side elevational view; and,

386,018 A * 7/1888 Lilygren 52/455

FIG. 10 is a cross sectional view taken along the line 10—10 of FIG. 2 and viewed in the direction of the arrows.

1 Claim, 5 Drawing Sheets



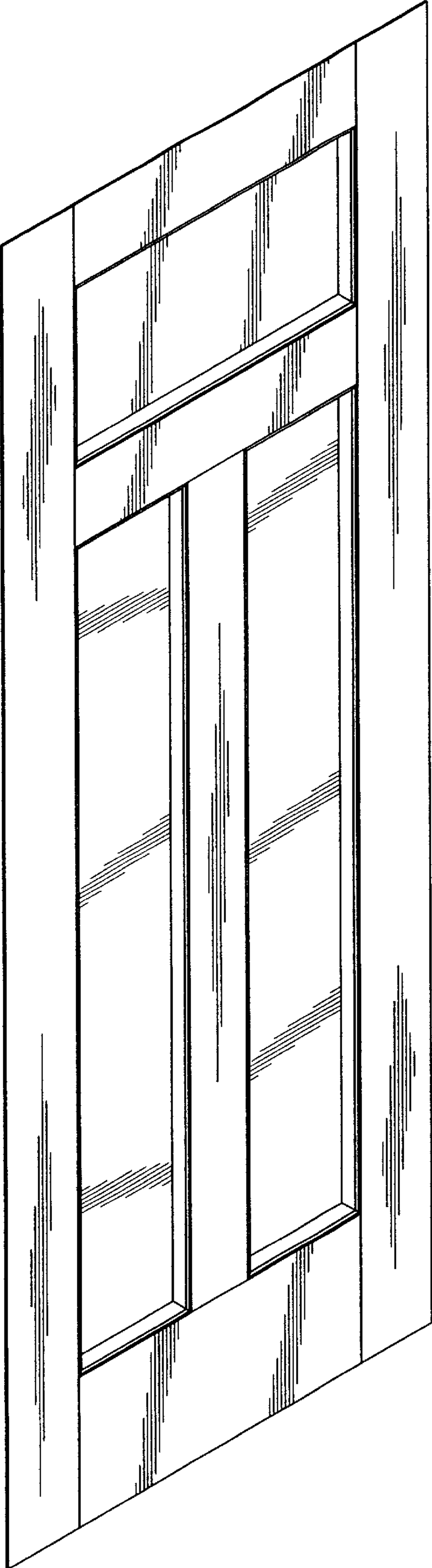


Fig. 1

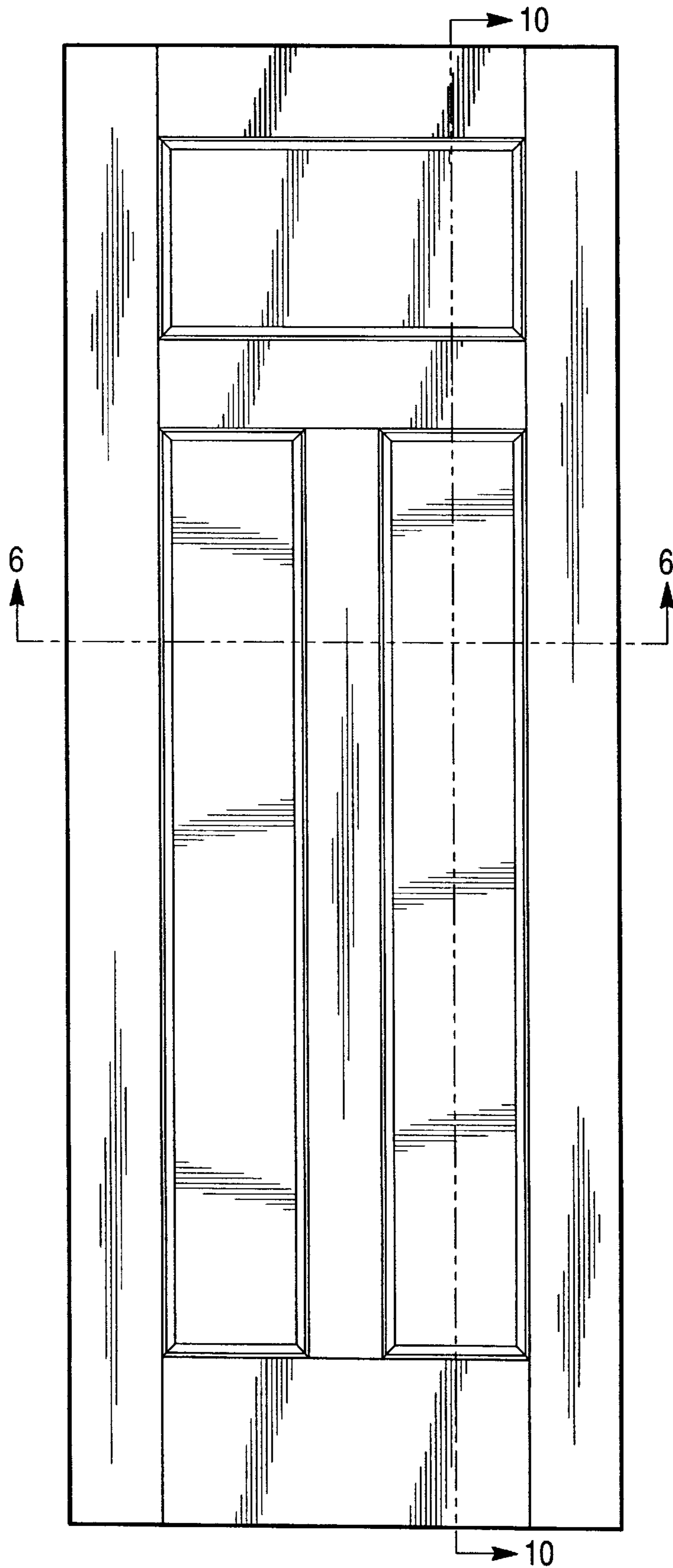


Fig. 2

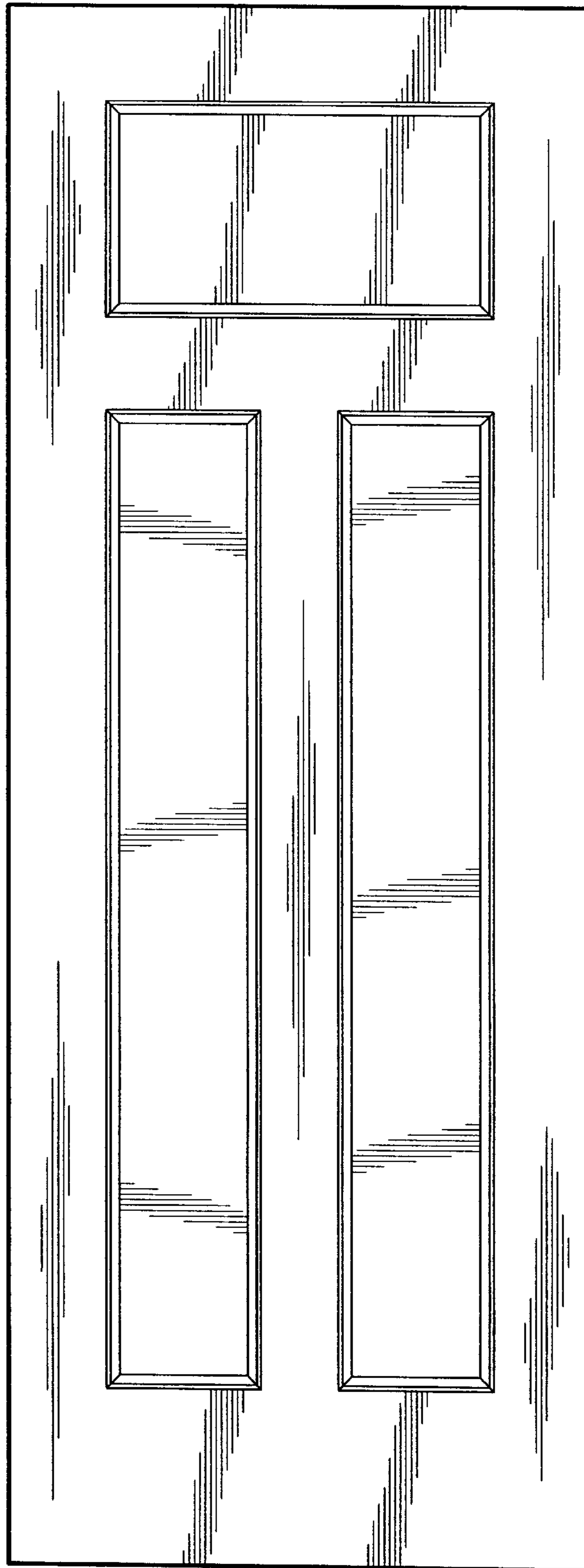


Fig. 3

Fig. 4

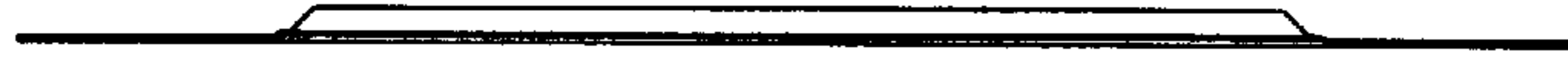


Fig. 5

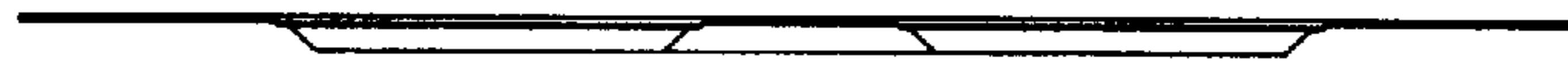


Fig. 6

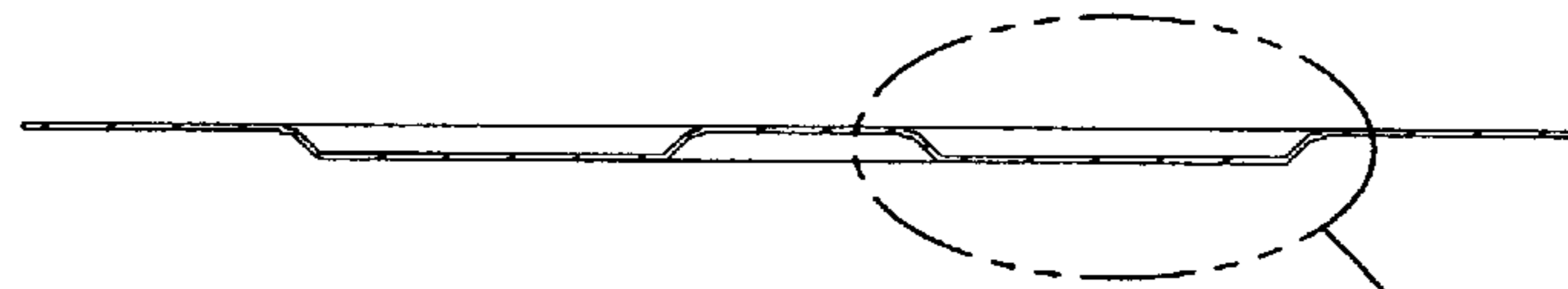


Fig. 7

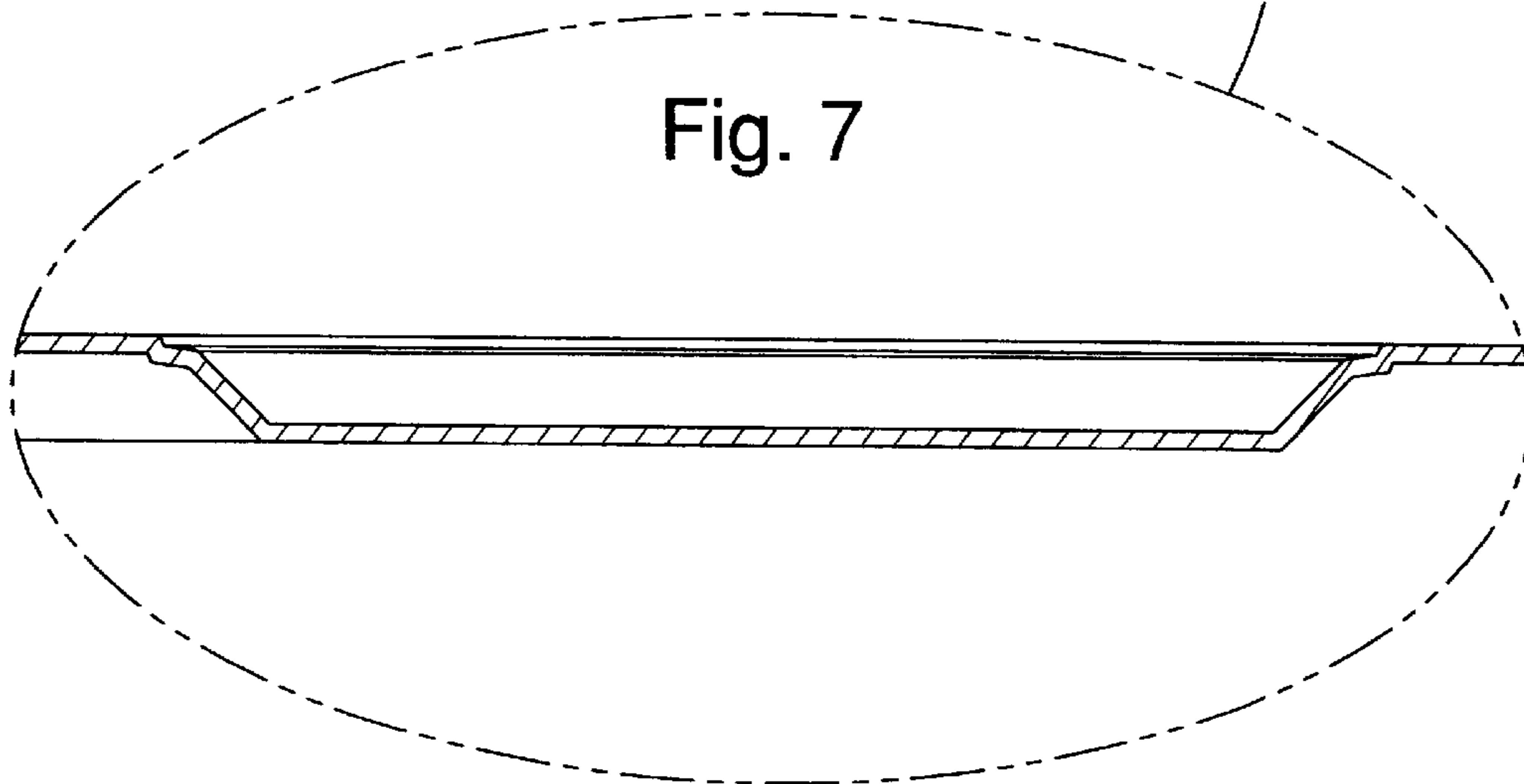




Fig. 8



Fig. 9



Fig. 10



US00D526418C1

(12) **EX PARTE REEXAMINATION CERTIFICATE** (8078th)
United States Patent
Walsh et al.

(10) **Number:** **US D526,418 C1**
(45) **Certificate Issued:** **Mar. 8, 2011**

- (54) **DOOR FACING**
- (75) Inventors: **Jason M. Walsh**, Batavia, IL (US);
Steven K. Lynch, St. Charles, IL (US);
Mark A. Ruggie, Franklin Park, IL (US)
- (73) Assignee: **Bank of Nova Scotia**, New York, NY
(US)

D107,242 S	11/1937	Kuebler	
D120,776 S	5/1940	Callaway	
2,929,446 A	3/1960	Kuehnlein	
D190,412 S	5/1961	Rubin	
3,404,502 A	10/1968	Miller	
3,760,543 A	9/1973	McAllister	
D265,932 S	8/1982	Simpson	
4,430,836 A	2/1984	McKann	
5,022,206 A	6/1991	Schild et al.	
D325,980 S	5/1992	Hall	
6,389,768 B1	5/2002	Gagne et al.	
D470,242 S	2/2003	Reithmeyer et al.	
6,553,735 B1	4/2003	Wang Chen	
6,574,935 B2	6/2003	Wang Chen	
6,715,245 B2	4/2004	Lewkowitz	
6,729,095 B2	5/2004	Wang Chen	
D510,771 S	10/2005	Walsh et al.	
D526,418 S	8/2006	Walsh et al.	
D538,440 S	* 3/2007	Walsh et al.	D25/48
D543,641 S	* 5/2007	Walsh et al.	D25/48
D576,289 S	* 9/2008	Steiber et al.	D25/48
D583,068 S	* 12/2008	Steiber et al.	D25/48
D584,830 S	* 1/2009	Steiber et al.	D25/48
D585,144 S	* 1/2009	Steiber et al.	D25/48
D587,813 S	* 3/2009	Steiber et al.	D25/48

Reexamination Request:
No. 90/009,645, Jan. 6, 2010

Reexamination Certificate for:
Patent No.: **Des. 526,418**
Issued: **Aug. 8, 2006**
Appl. No.: **29/207,798**
Filed: **Jun. 21, 2004**

(**) Term: **14 Years**

- (51) **LOC (9) Cl.** **25-02**
- (52) **U.S. Cl.** **D25/48; D25/138**
- (58) **Field of Classification Search** D25/47,
D25/48, 138; 52/63, 69, 71, 455, 456, 457;
428/45

See application file for complete search history.

(56) **References Cited**

U.S. PATENT DOCUMENTS

386,018 A	7/1888	Lilygren
617,120 A	1/1899	Plue
894,421 A	7/1908	Budd
1,018,896 A	2/1912	Frey
1,489,170 A	4/1924	Stutz
D77,542 S	11/1927	Gaston
D88,108 S	10/1932	Specter

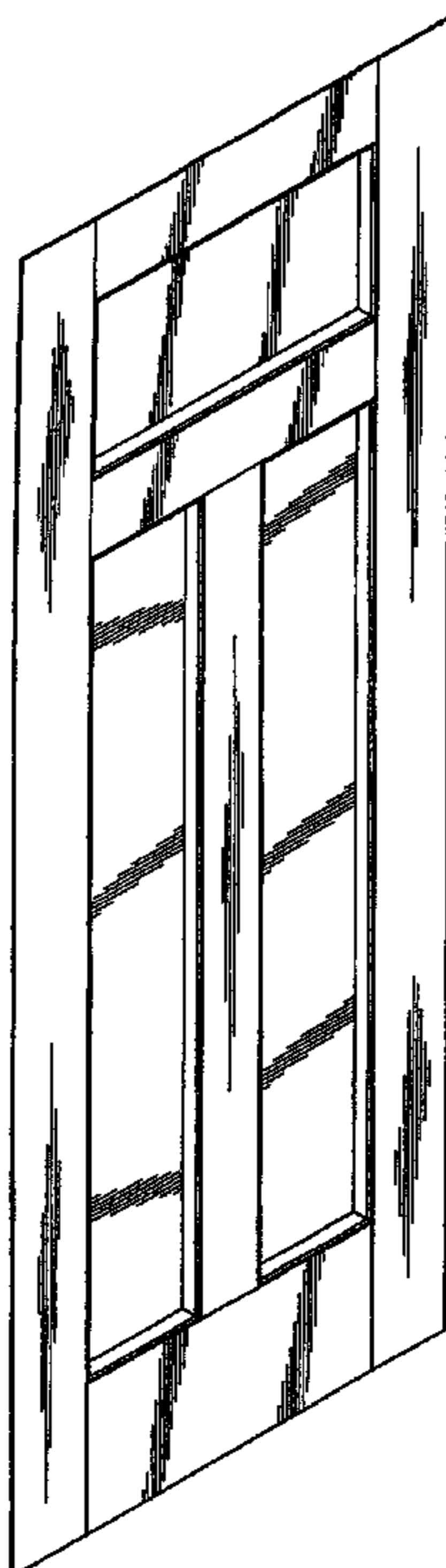
OTHER PUBLICATIONS

The New Bungalow, Matthew Bialecki et al. (Gibbs Smith, 2001), pp. 4–5, 13, 20, 35, 54–55, 58–59, 62–63, 65, 66–67, 70, 74, 117, and 144–145.

Sears, Roebuck Home Builder’s Catalog, The Complete Illustrated 1910 Edition, Sears, Roebuck & Co. (1990) (replication of Our Special Catalog for Home Builders (1910).

* cited by examiner

Primary Examiner—Sandra Snapp



**EX PARTE
REEXAMINATION CERTIFICATE
ISSUED UNDER 35 U.S.C. 307**

AS A RESULT OF REEXAMINATION, IT HAS BEEN
DETERMINED THAT:

The patentability of the sole design claim is confirmed.

The ornamental design for a door facing, as shown and
described.

* * * * *