



US00D526416S

(12) **United States Design Patent**
Pipe

(10) **Patent No.:** **US D526,416 S**

(45) **Date of Patent:** **** Aug. 8, 2006**

(54) **BATHING TUB**

(75) Inventor: **Jeffrey A. Pipe**, Sheboygan, WI (US)

(73) Assignee: **Kohler Co.**, Kohler, WI (US)

(**) Term: **14 Years**

(21) Appl. No.: **29/224,541**

(22) Filed: **Mar. 3, 2005**

(51) **LOC (8) Cl.** **23-02**

(52) **U.S. Cl.** **D24/204**

(58) **Field of Classification Search** D23/273,
D23/276-277, 280.1-280.3, 303-304; D24/204-205;
4/538, 584

See application file for complete search history.

(56) **References Cited**

U.S. PATENT DOCUMENTS

D298,055 S * 10/1988 O'Brien D24/204
D302,037 S * 7/1989 Giese et al. D24/205

OTHER PUBLICATIONS

Crown catalog page, 8' Round whirlpool tub and Louger II square whirlpool tub.

WaterJet catalog page, Confidence whirlpool square tub.

Beachcraft catalog page, showing various sizes and shapes of whirlpool tubs.

* cited by examiner

Primary Examiner—Robert A. Delehanty

(74) *Attorney, Agent, or Firm*—Quarles & Brady LLP

(57) **CLAIM**

The ornamental design for a bathing tub, as shown and described.

DESCRIPTION

In a preferred embodiment, the nature of this product is as a plumbing fixture in the form of a bathing tub primary useful for washing the human body.

FIG. 1 is a left, top, front perspective view of a bathing tub embodying my new design;

FIG. 2 is a top plan view thereof;

FIG. 3 is a front elevational view thereof;

FIG. 4 is a left side elevational view thereof;

FIG. 5 is a right side elevational view thereof;

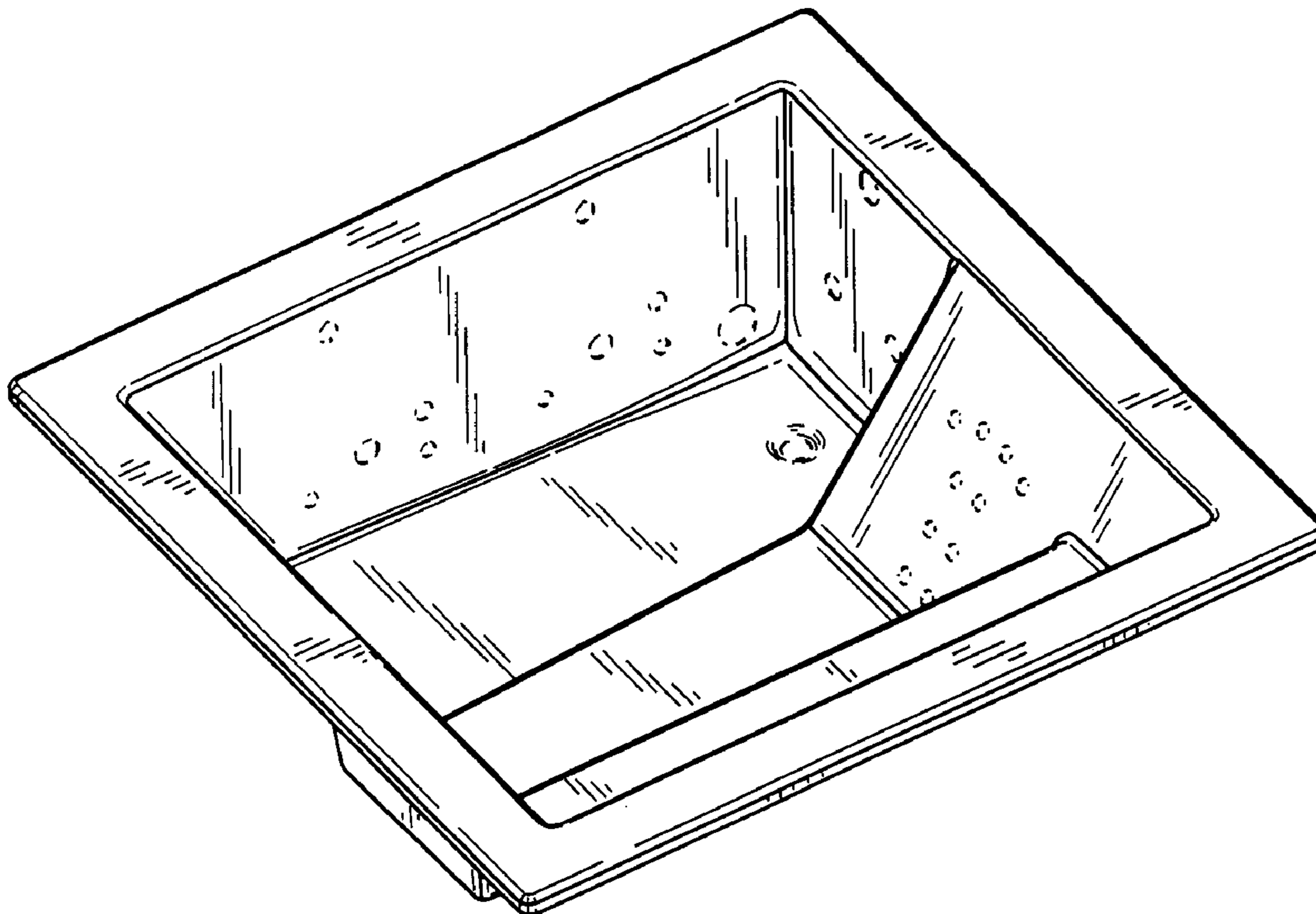
FIG. 6 is a rear elevational view thereof;

FIG. 7 is a bottom plan view thereof; and,

FIG. 8 is a right, top, front perspective view of a bathing tub according to another embodiment of my new design having views that are mirror images of FIGS. 2-7.

The broken line representations of a drain and holes in the figures are for the purpose of illustration only, and form no part of the claimed design.

1 Claim, 3 Drawing Sheets



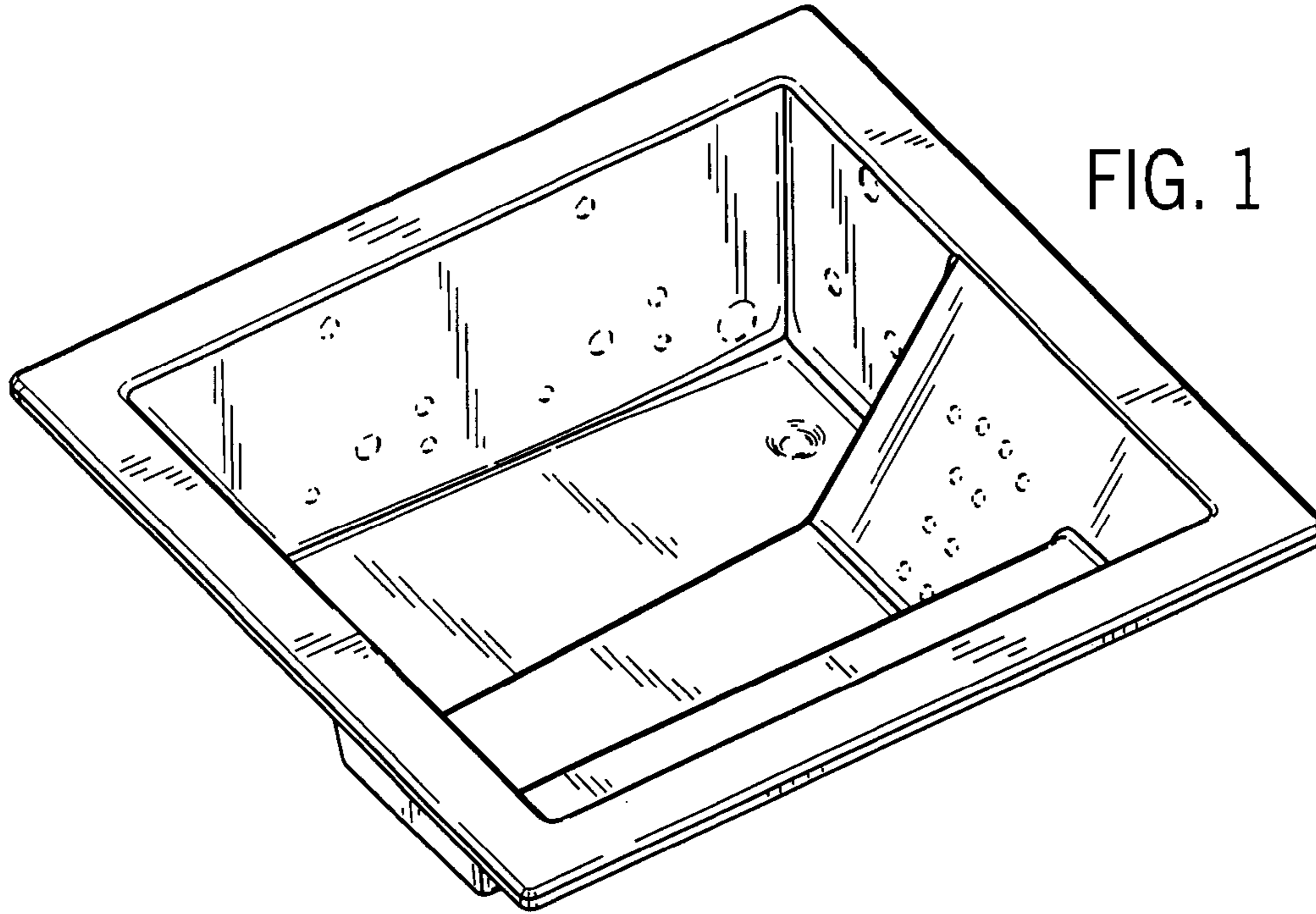


FIG. 1

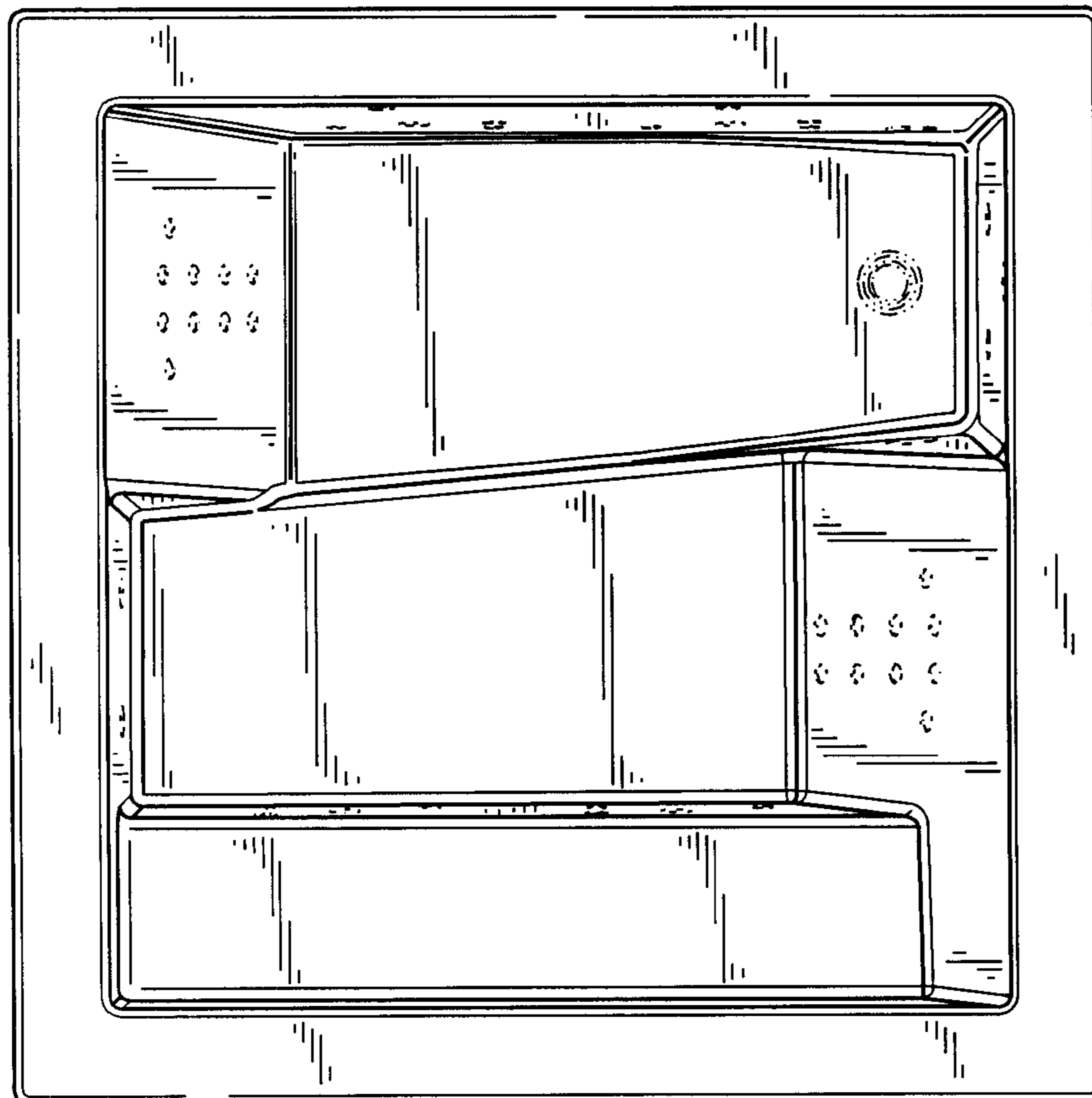


FIG. 2

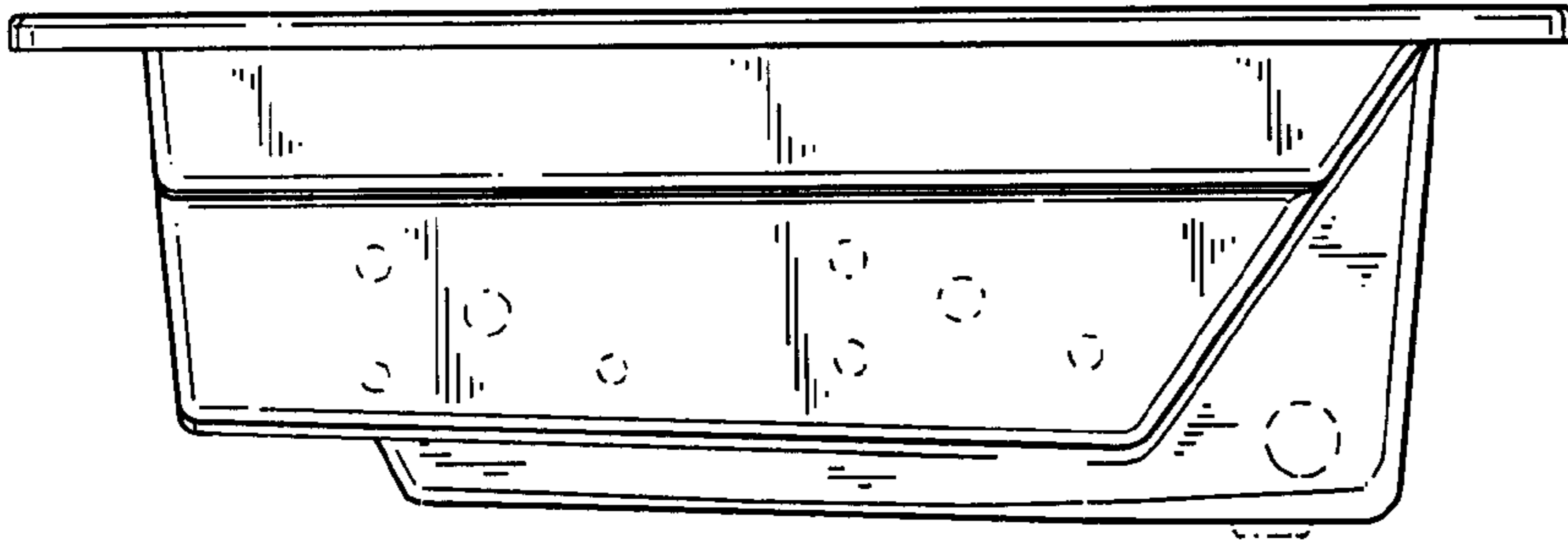


FIG. 3

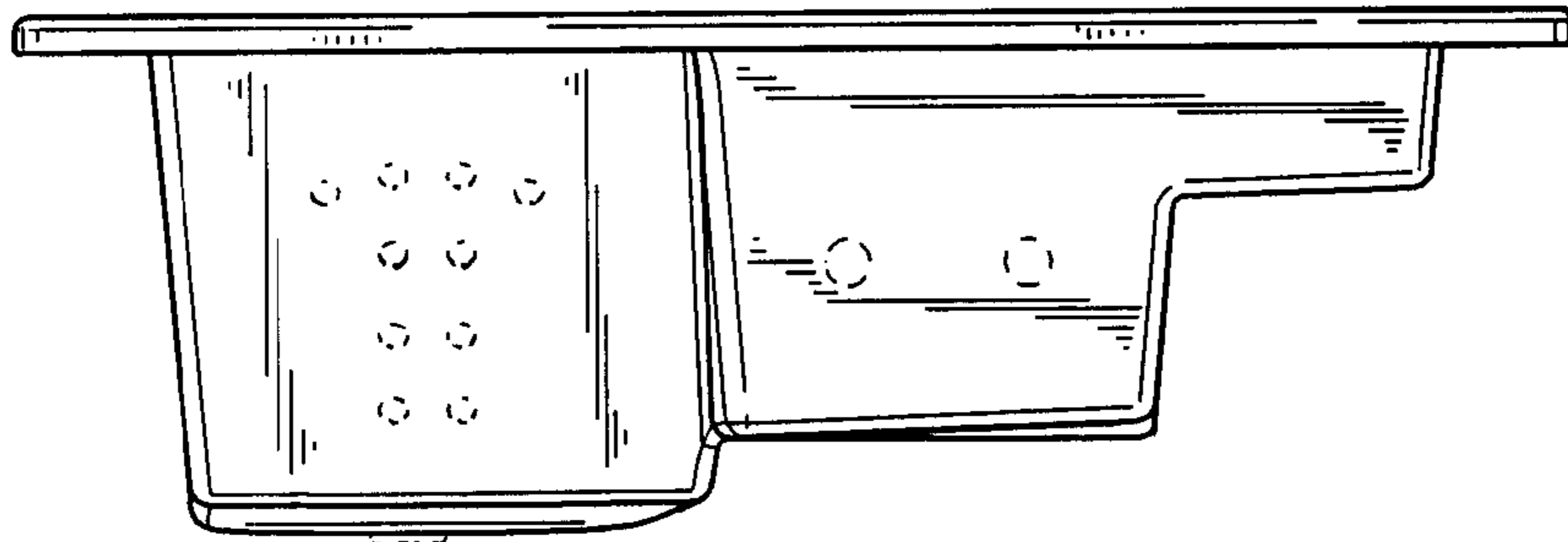


FIG. 4

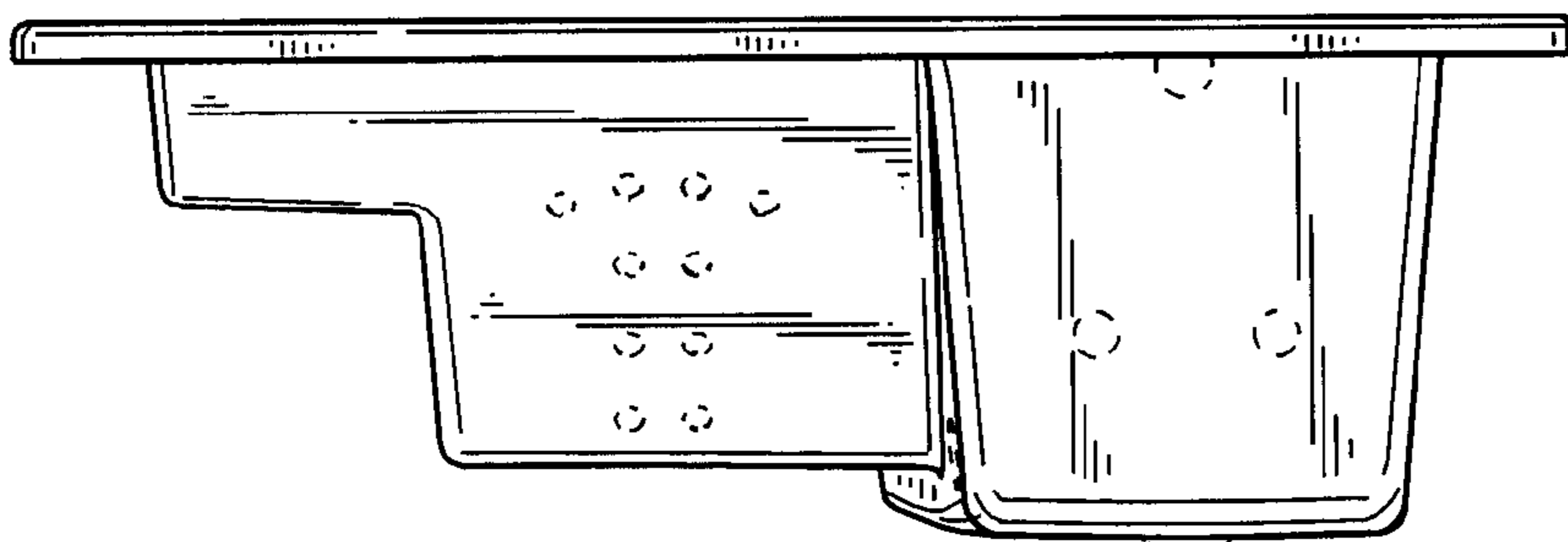


FIG. 5

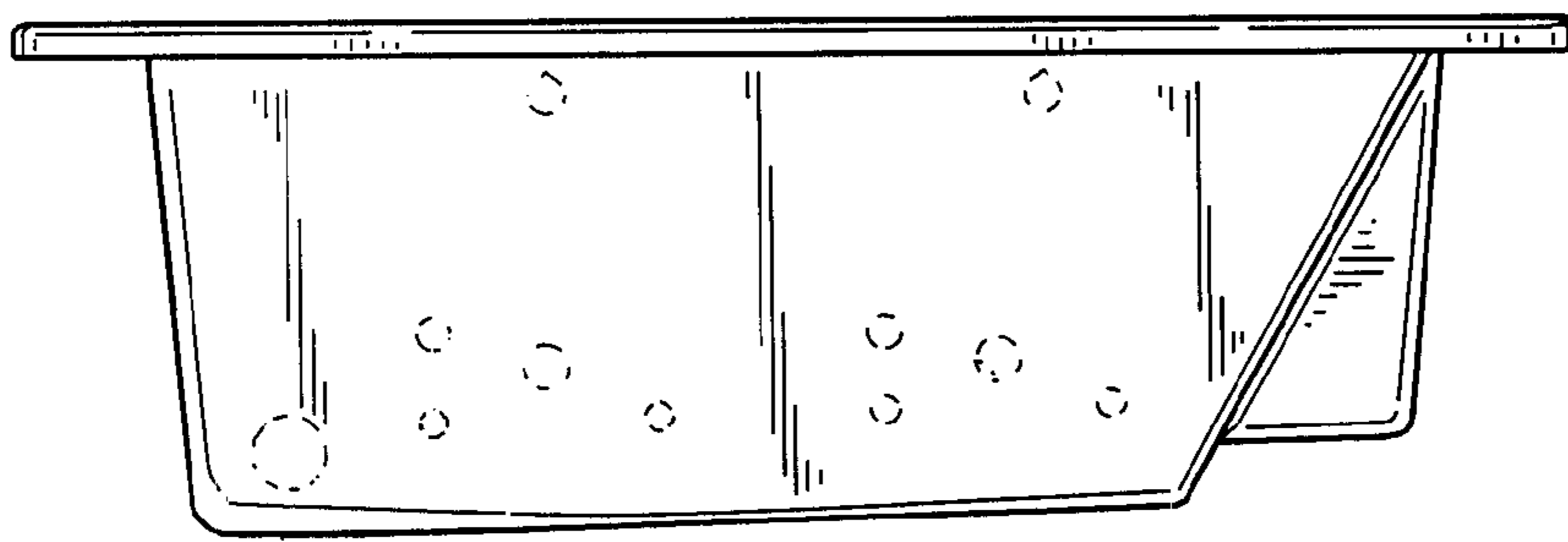


FIG. 6

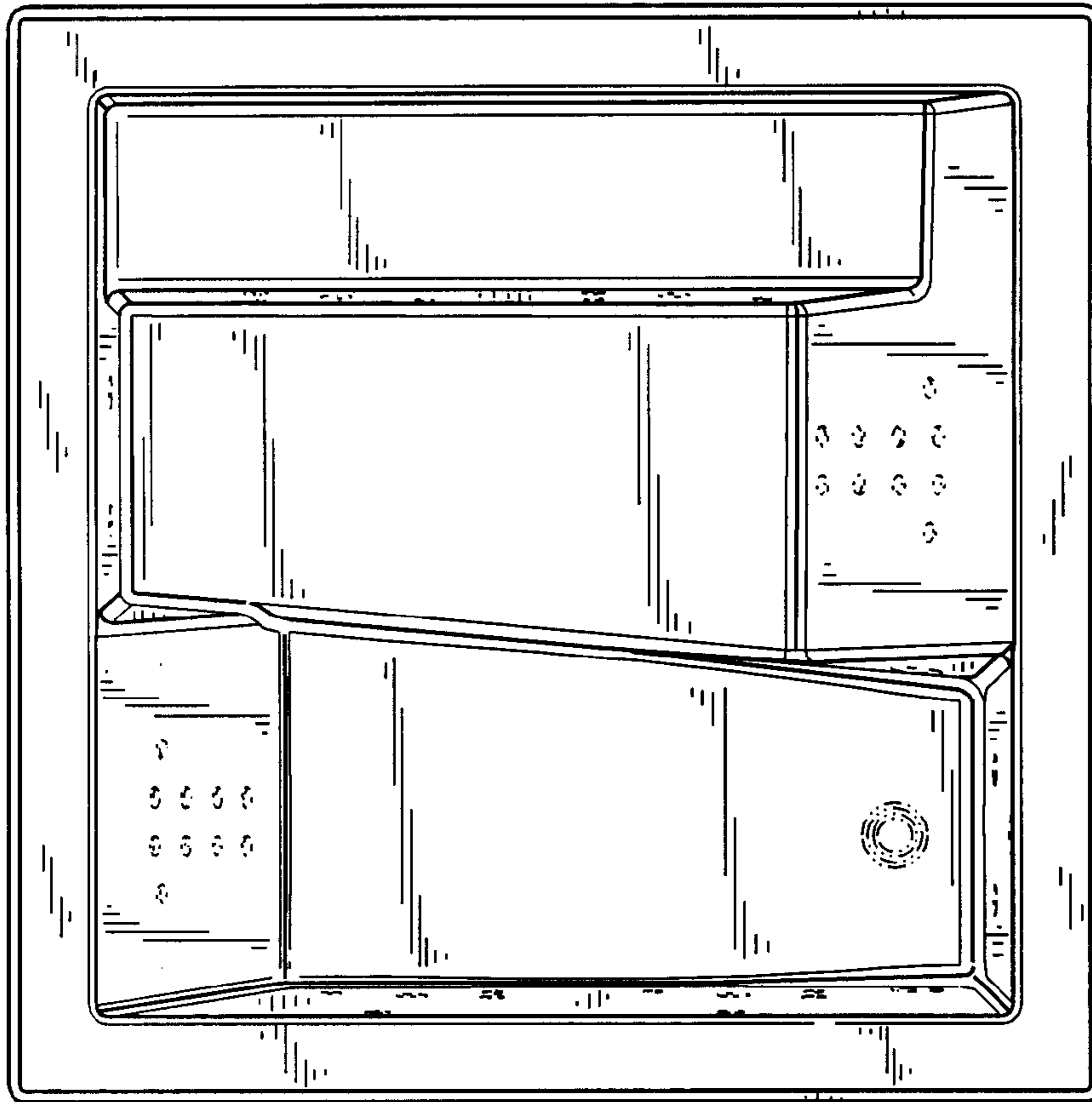


FIG. 7

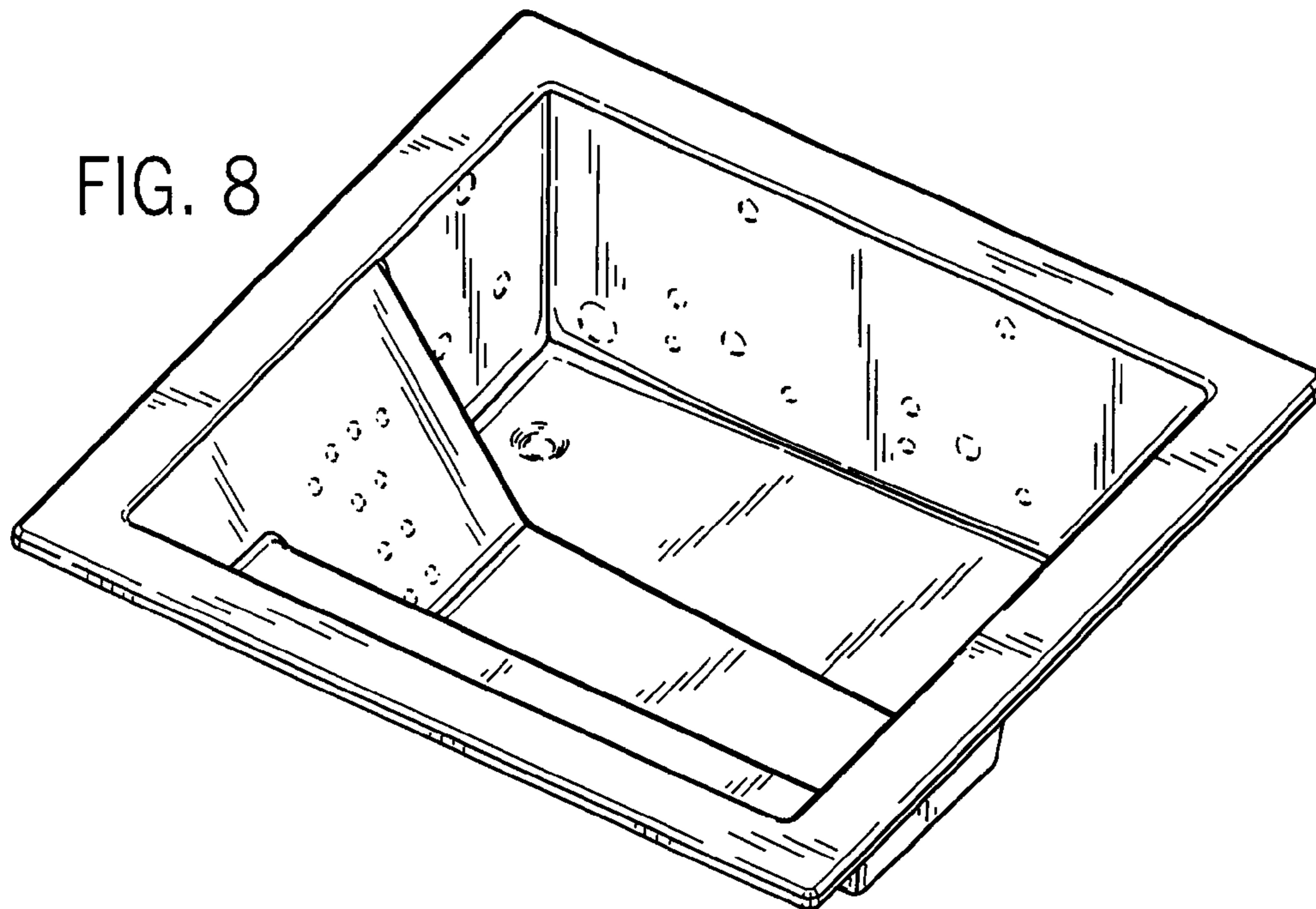


FIG. 8