



US00D526414S

(12) **United States Design Patent**
Jacober et al.

(10) **Patent No.:** **US D526,414 S**

(45) **Date of Patent:** **** Aug. 8, 2006**

(54) **BLOOD PRESSURE MONITOR**

(75) Inventors: **Jeffrey M. Jacober**, Providence, RI (US); **Stephen Lane**, Jamestown, RI (US); **Aidan Petrie**, Jamestown, RI (US); **Marco Wo**, Providence, RI (US)

(73) Assignee: **MEDport, LLC**, Providence, RI (US)

(**) Term: **14 Years**

(21) Appl. No.: **29/217,874**

(22) Filed: **Nov. 22, 2004**

(51) **LOC (8) Cl.** **24-02**

(52) **U.S. Cl.** **D24/165**

(58) **Field of Classification Search** D24/165,
D24/186; 600/502, 503, 499, 494, 490, 485,
600/500, 492; 128/900

See application file for complete search history.

(56) **References Cited**

U.S. PATENT DOCUMENTS

5,778,879	A	7/1998	Ota et al.	
D426,637	S *	6/2000	Ochi et al.	D24/165
6,151,968	A	11/2000	Chou	
D448,485	S *	9/2001	Nalbandian et al.	D24/165
6,379,310	B1	4/2002	Mori et al.	
6,432,060	B1	8/2002	Amano	
6,447,457	B1 *	9/2002	Forstner et al.	600/485
6,547,741	B1	4/2003	Mori et al.	
D475,136	S *	5/2003	Taniguchi	D24/165
6,558,335	B1 *	5/2003	Thede	600/503
6,602,198	B1	8/2003	Yokozeki	
D484,980	S	1/2004	Hartwein et al.	
6,694,821	B1	2/2004	Yamakoshi et al.	
6,705,990	B1	3/2004	Gallant et al.	
6,712,769	B1	3/2004	Freund et al.	
6,733,462	B1	5/2004	Frick et al.	
2002/0019592	A1	2/2002	Mori et al.	
2002/0147404	A1	10/2002	Kato et al.	
2002/0156382	A1	10/2002	Freund et al.	
2004/0010198	A1	1/2004	Yamakoshi et al.	
2004/0024324	A1	2/2004	Bratteli	
2004/0034308	A1	2/2004	Inoue et al.	
2004/0044288	A1	3/2004	Gotenberg et al.	

OTHER PUBLICATIONS

Webpage, "PrecisionSensor", Copyright Braun GmbH 2004.

* cited by examiner

Primary Examiner—Louis S. Zarfes

Assistant Examiner—Daniel Yu

(74) *Attorney, Agent, or Firm*—Cook, Alex, McFarron, Manzo, Cummings & Mehler, Ltd.

(57) **CLAIM**

The ornamental design for a blood pressure monitor, as shown and described.

DESCRIPTION

FIG. 1 is a perspective view of a blood pressure monitor showing the new design;

FIG. 2 is a top plan view thereof;

FIG. 3 is an end elevational view thereof, the opposite end elevational view being a mirror image of FIG. 3;

FIG. 4 is a side elevational view thereof;

FIG. 5 is a bottom plan view thereof;

FIG. 6 is a side elevational view thereof, being opposite to FIG. 4;

FIG. 7 is a perspective view of a second embodiment of the blood pressure monitor;

FIG. 8 is a top plan view thereof;

FIG. 9 is an end elevational view thereof, the opposite end elevational view being a mirror image of FIG. 9;

FIG. 10 is a side elevational view thereof;

FIG. 11 is a bottom plan view thereof;

FIG. 12 is a side elevational view thereof, being opposite to FIG. 10;

FIG. 13 is a perspective view of a third embodiment of the blood pressure monitor;

FIG. 14 is a top plan view thereof;

FIG. 15 is an end elevational view thereof, the opposite end elevational view being a mirror image of FIG. 15;

FIG. 16 is a side elevational view thereof;

FIG. 17 is a bottom plan view thereof; and,

FIG. 18 is a side elevational view thereof, being opposite to FIG. 16.

1 Claim, 3 Drawing Sheets

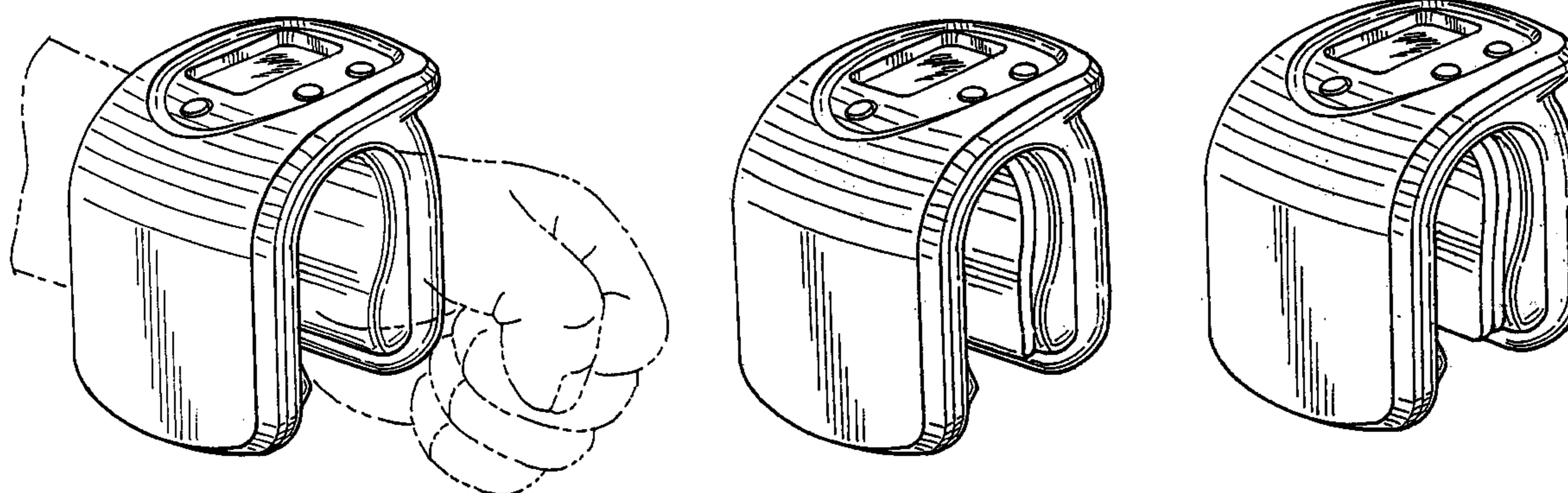


FIG.1

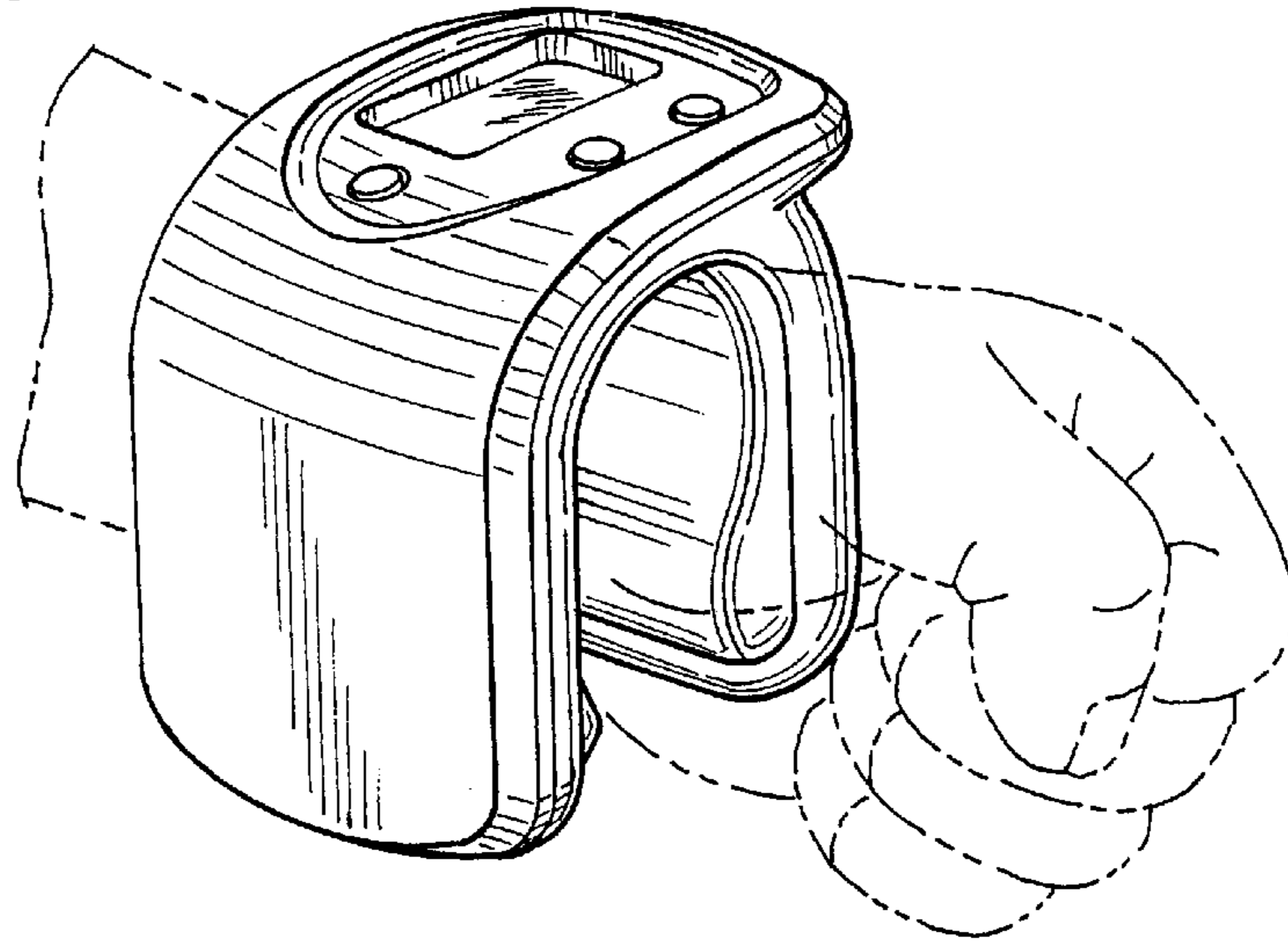


FIG.2

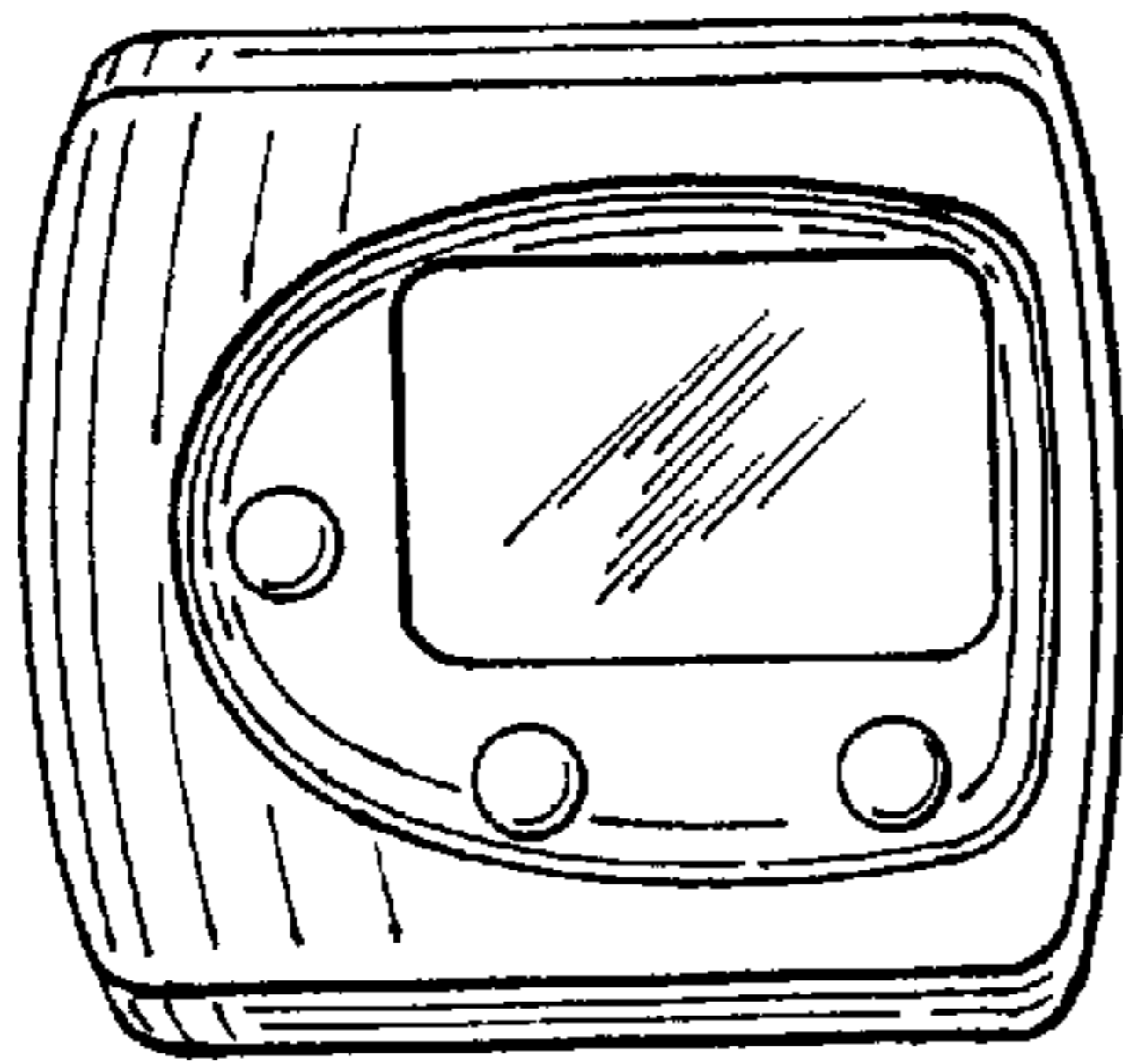


FIG.3

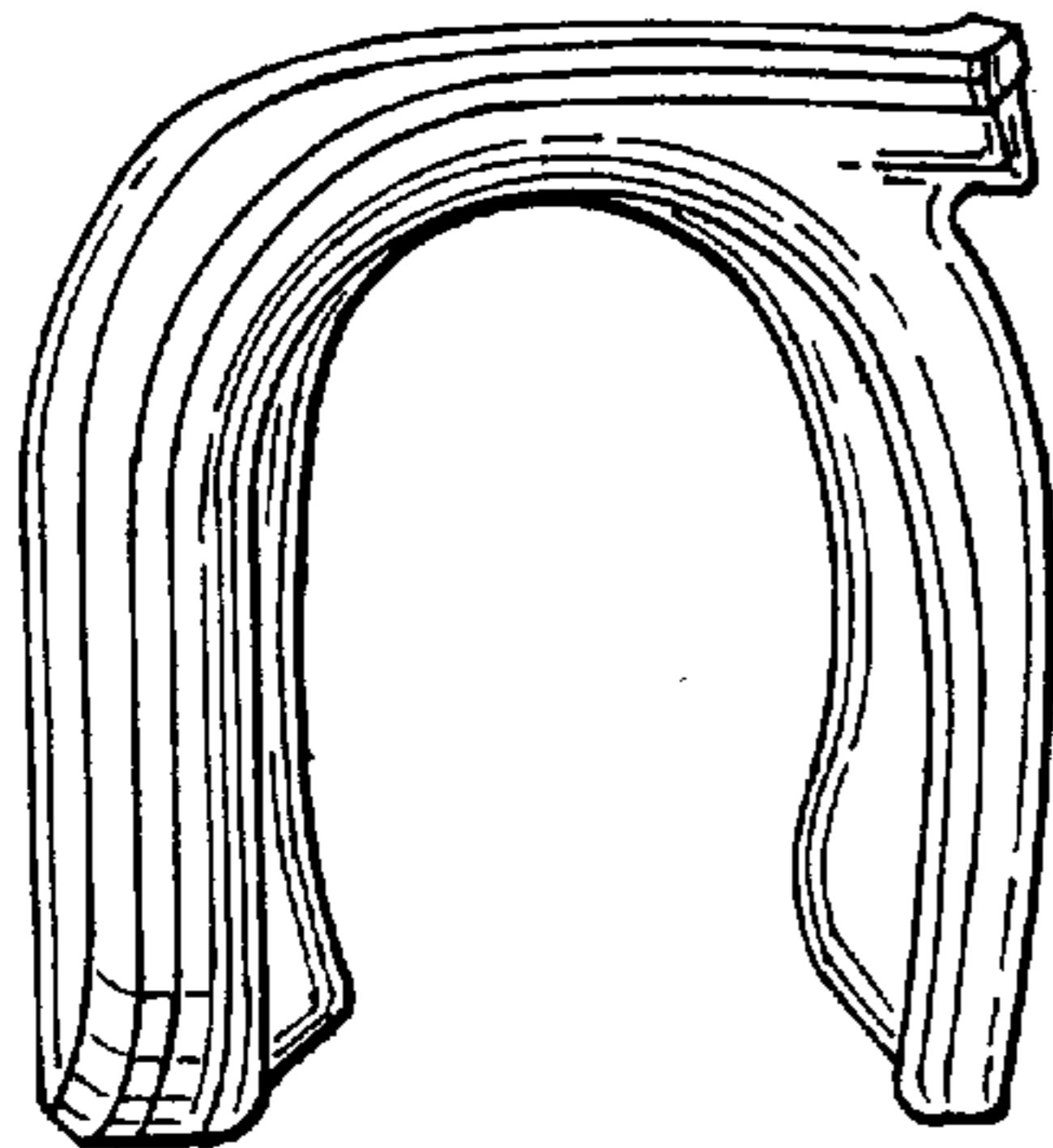


FIG.5

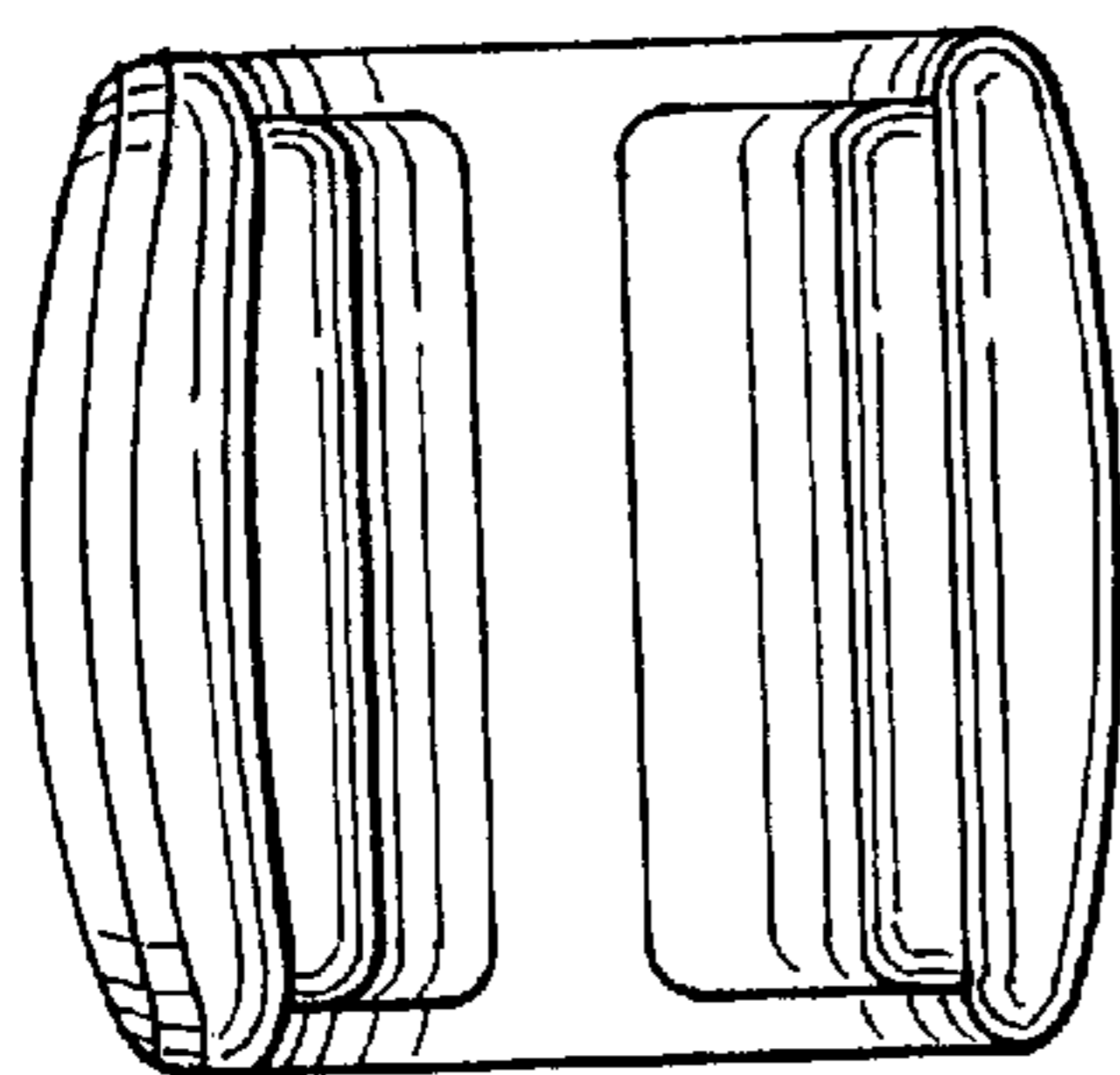


FIG.4

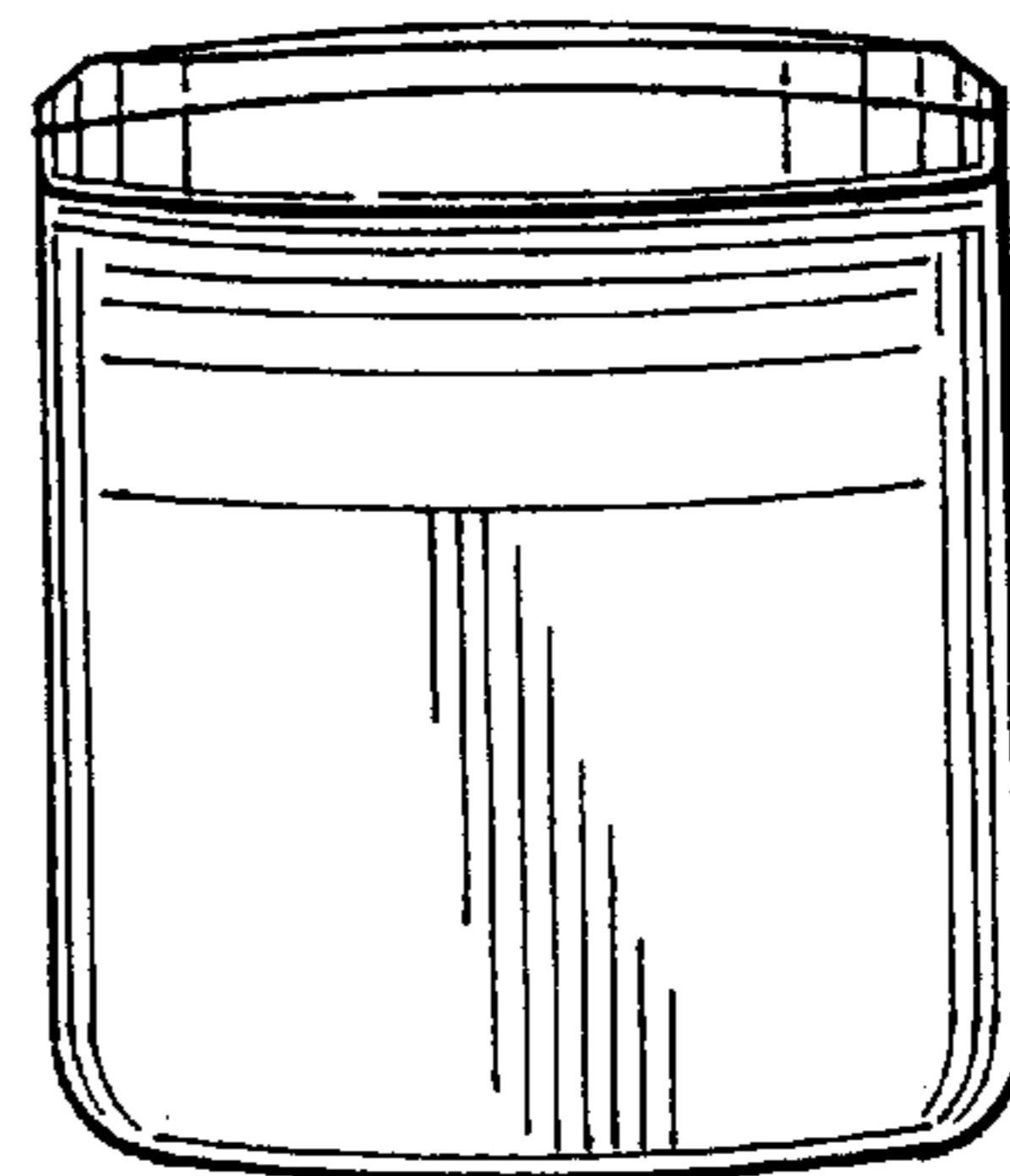


FIG.6

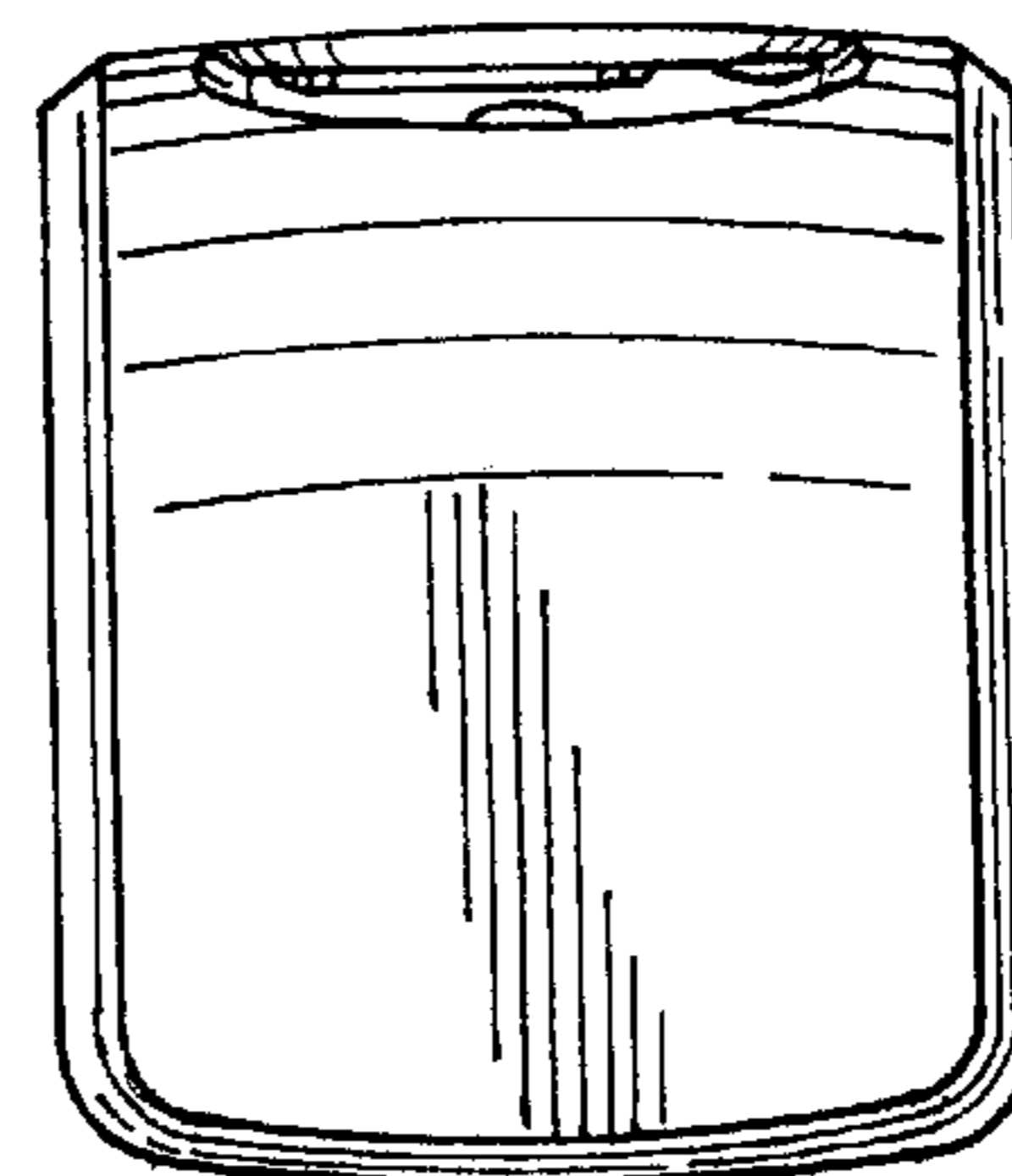


FIG. 7

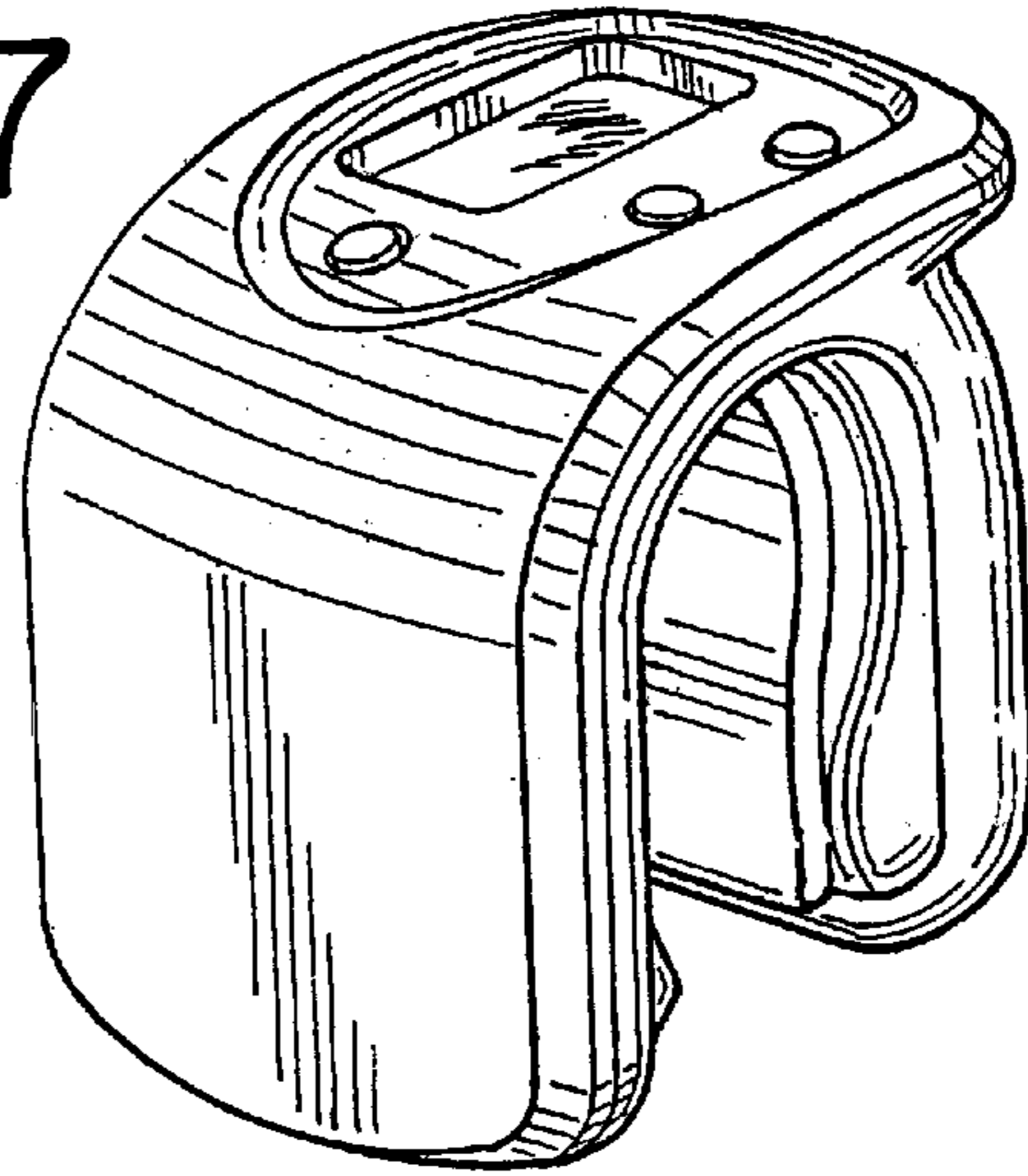


FIG. 8

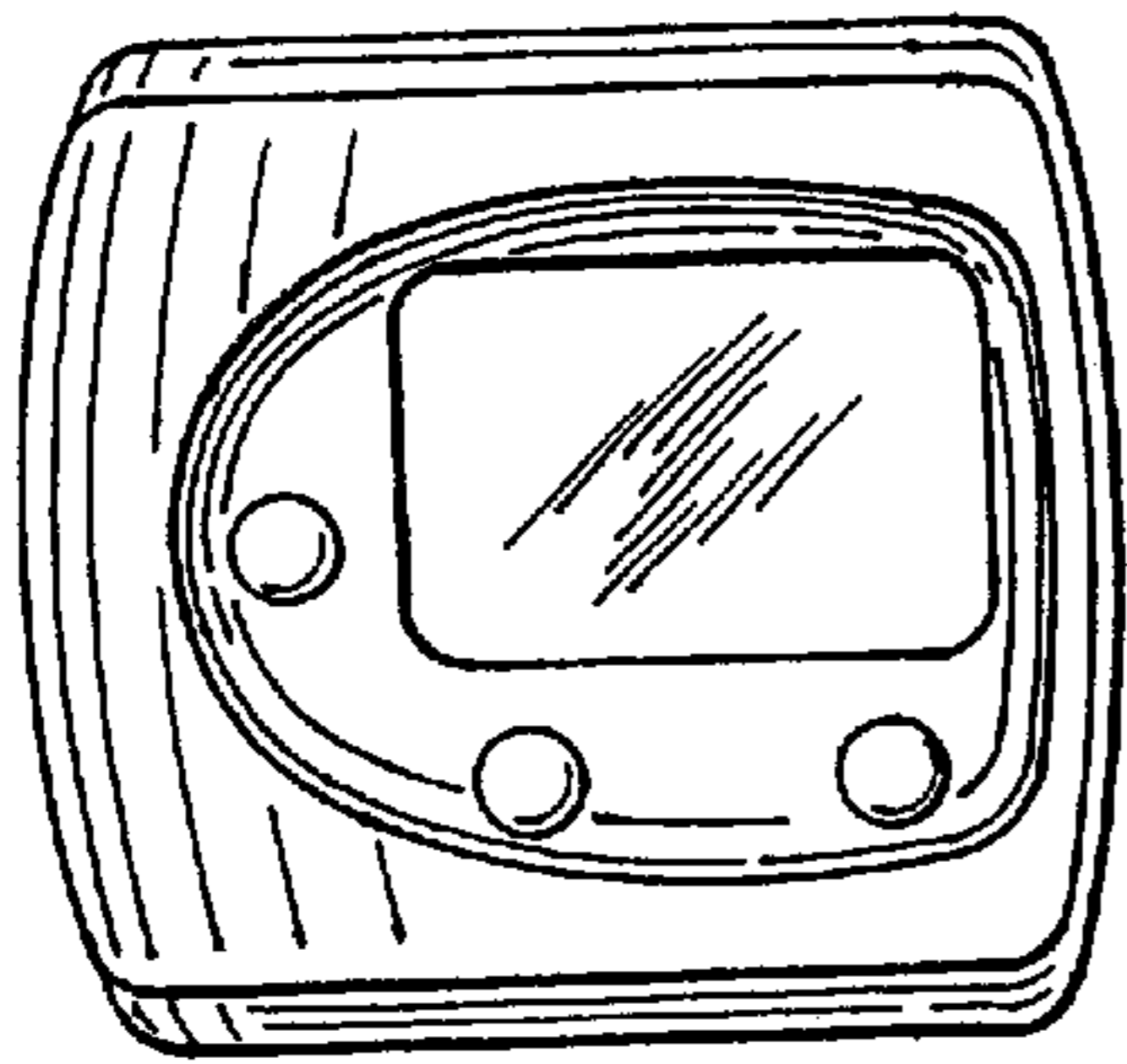


FIG. 9

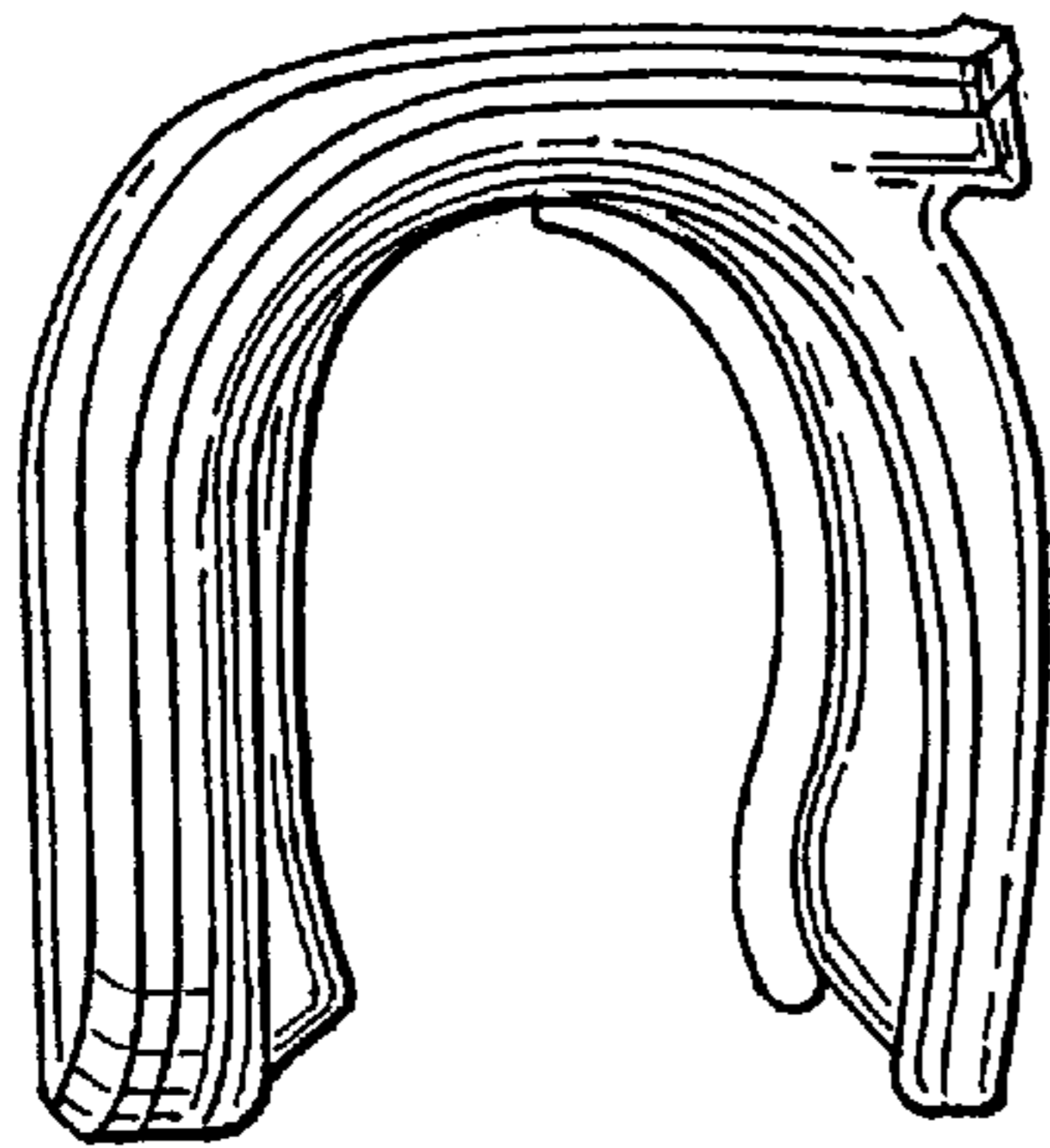


FIG. 11

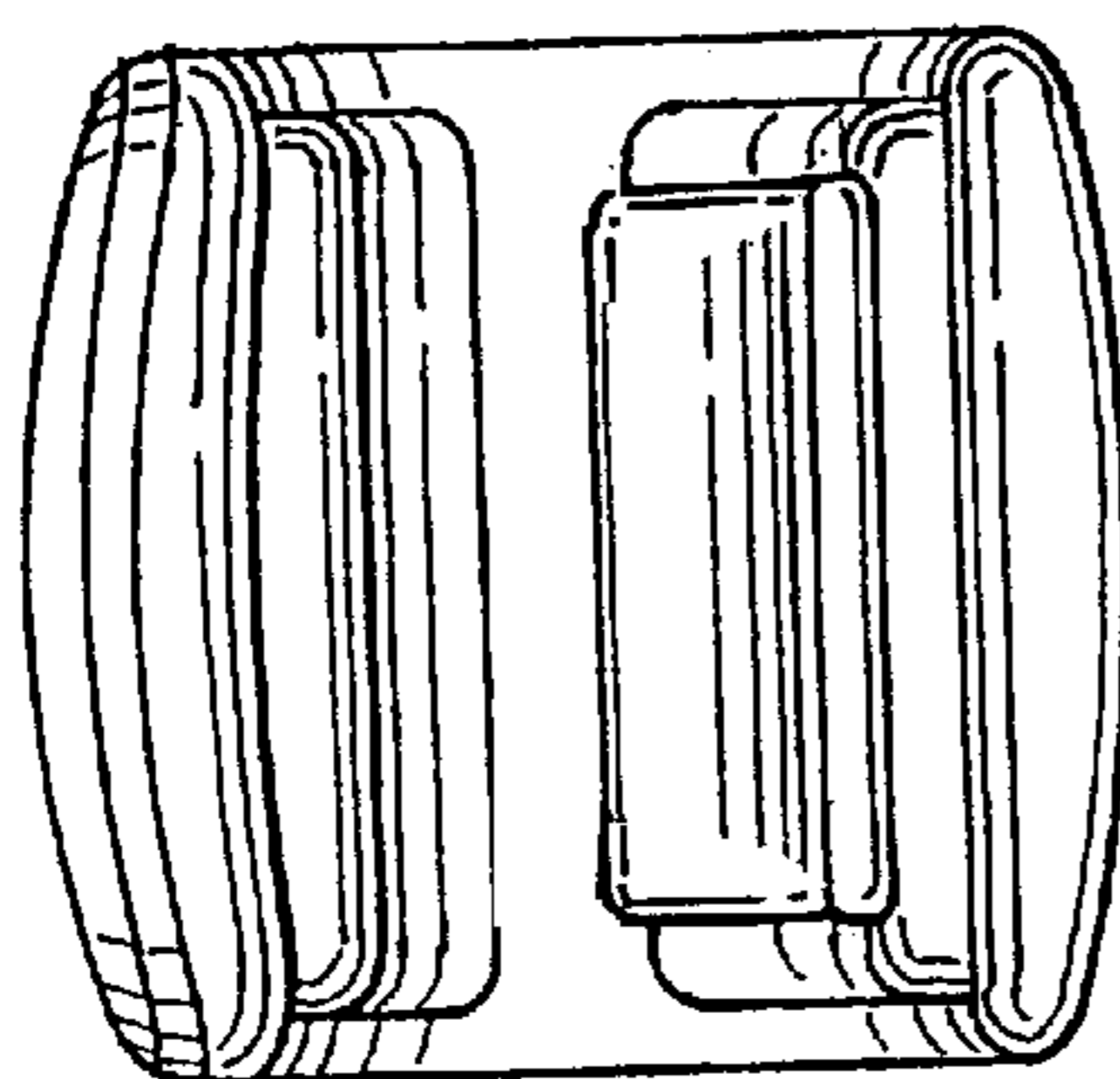


FIG. 10

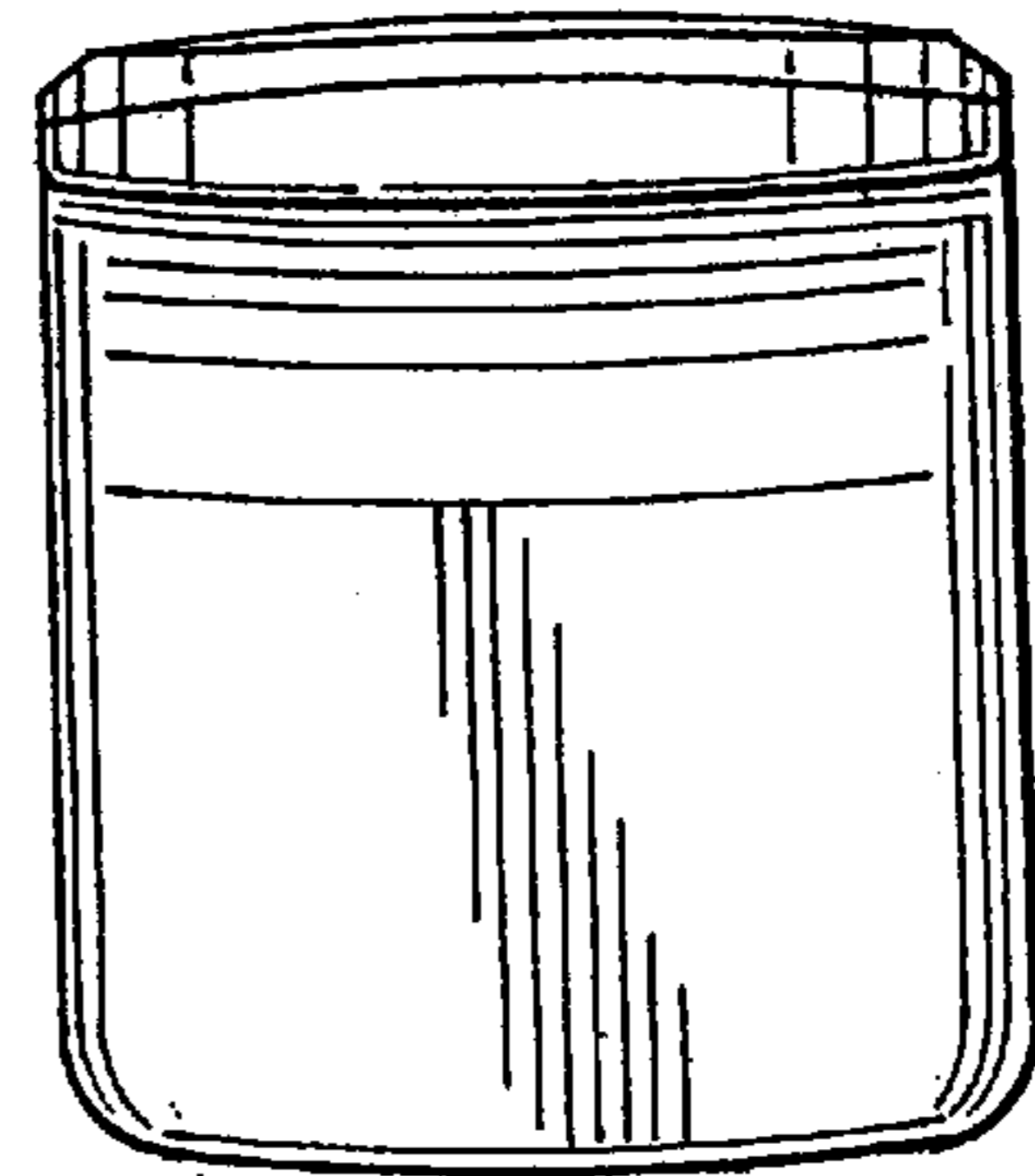


FIG. 12

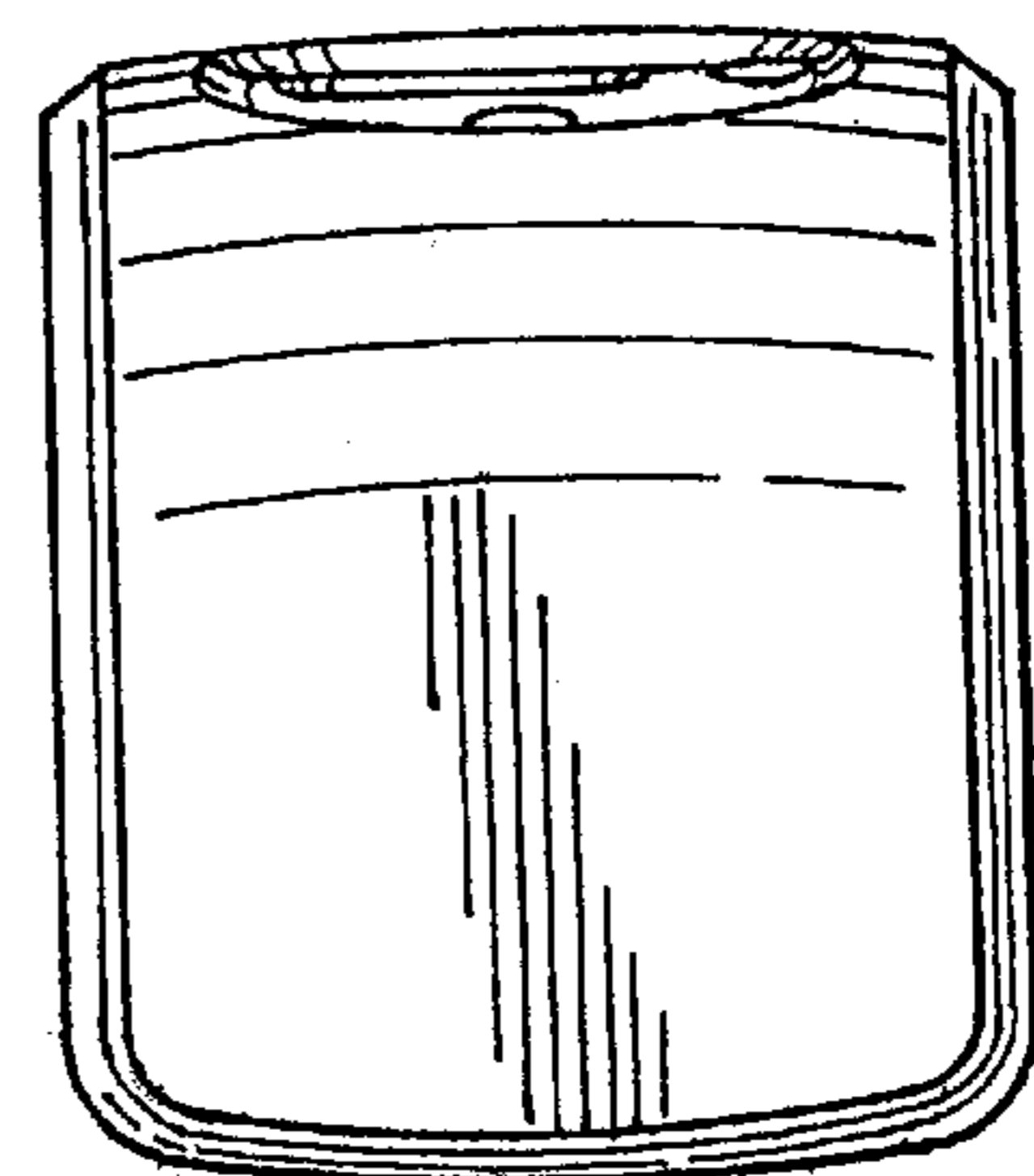


FIG.13

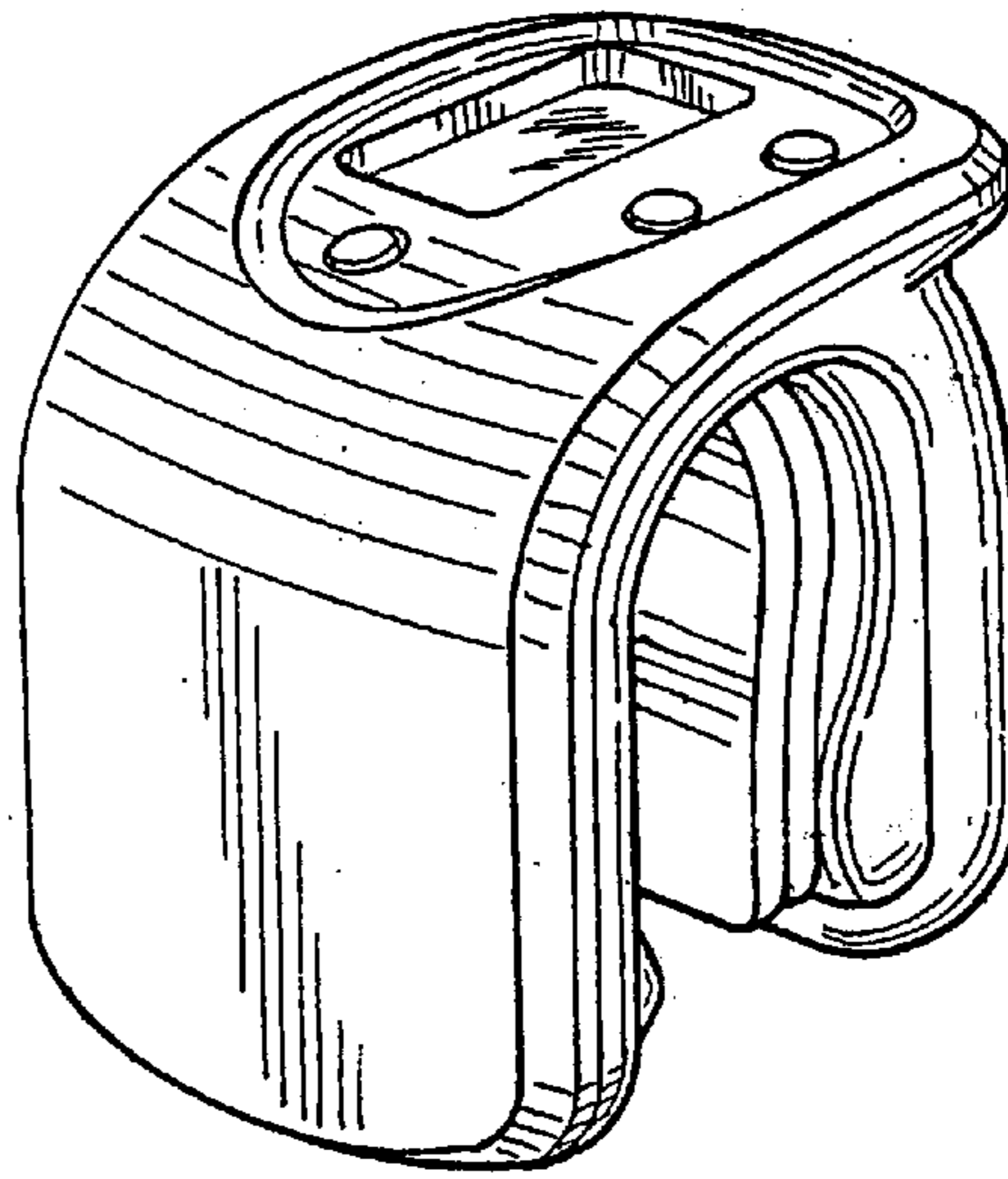


FIG.14

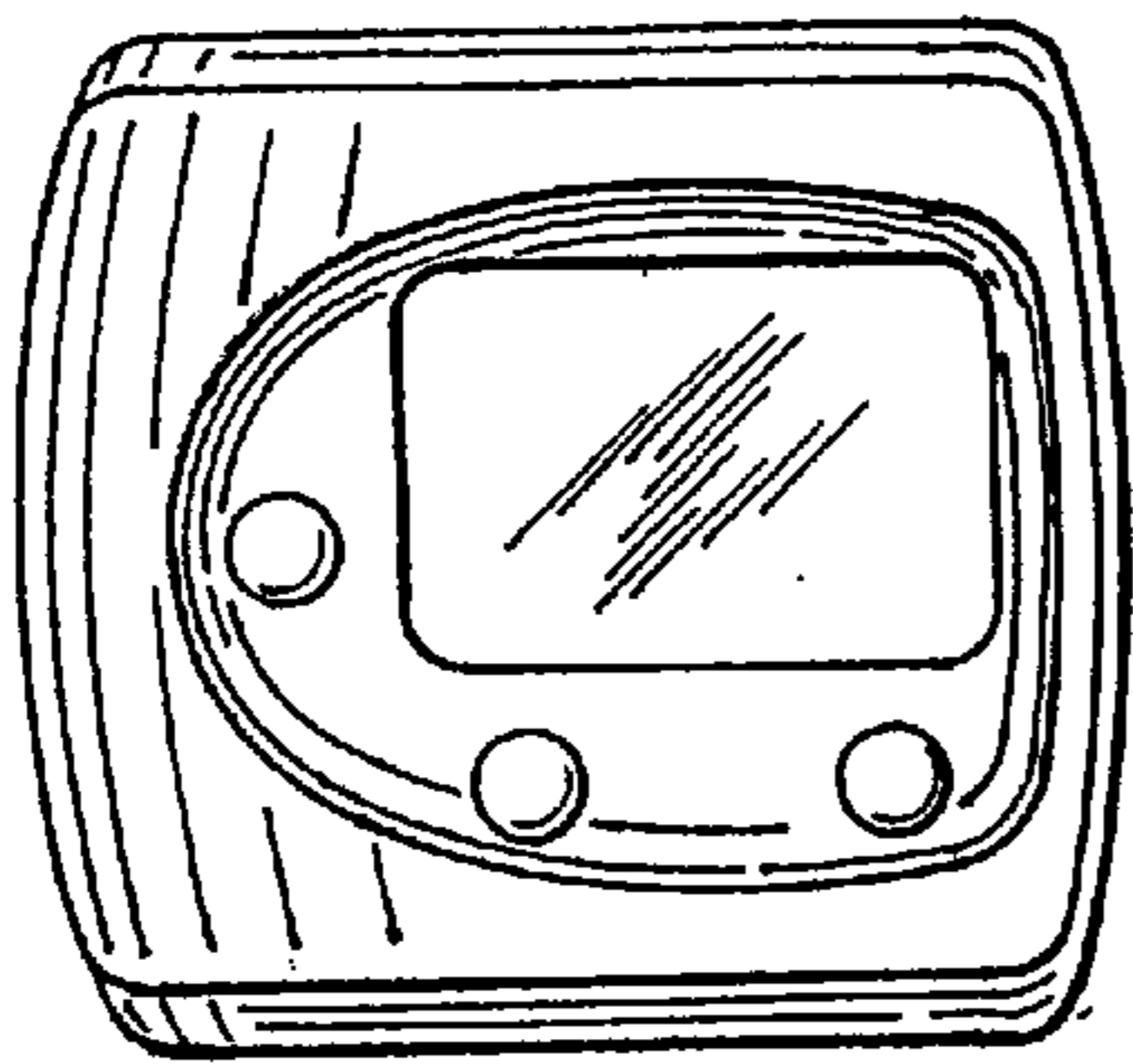


FIG.15

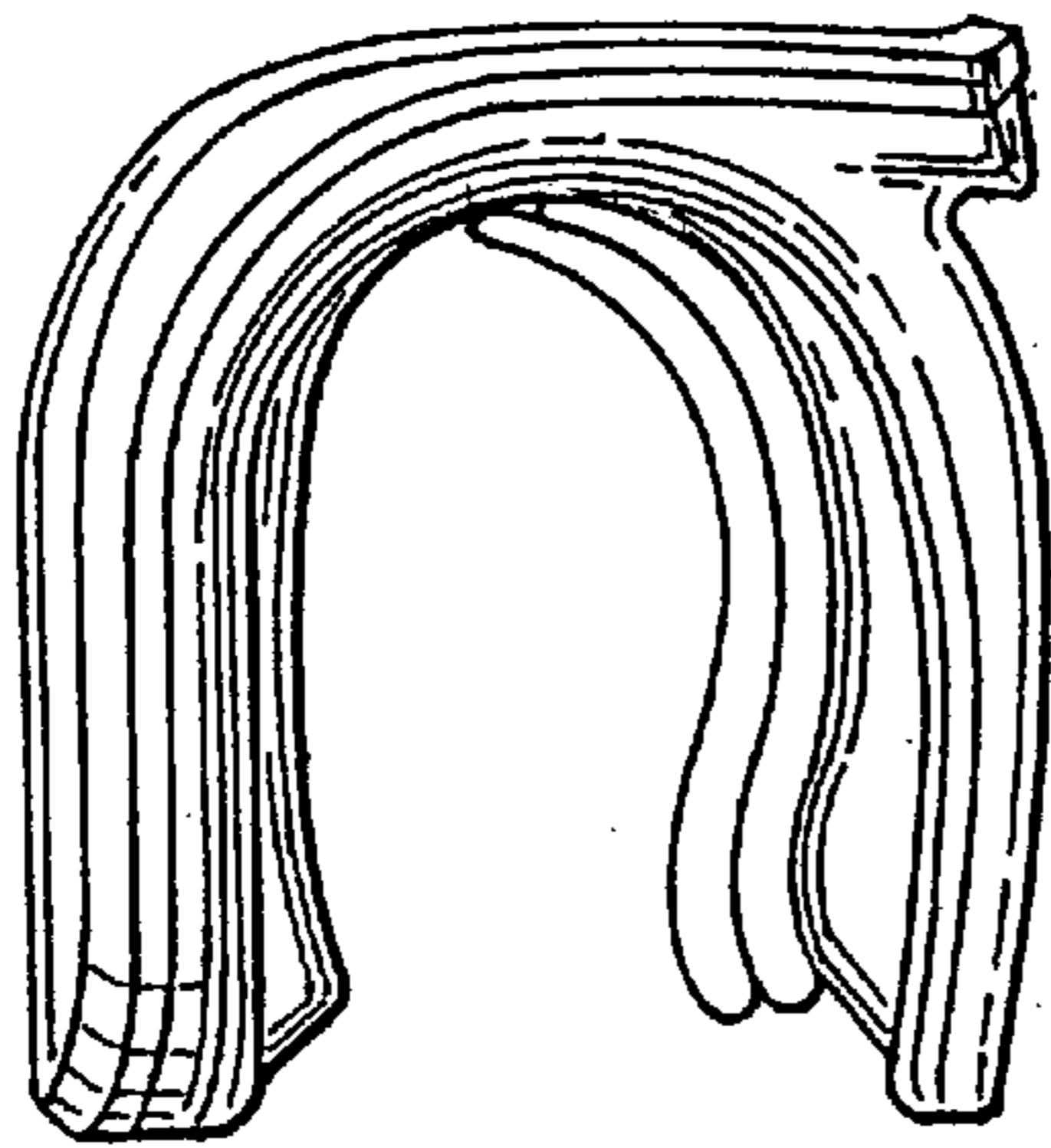


FIG.17

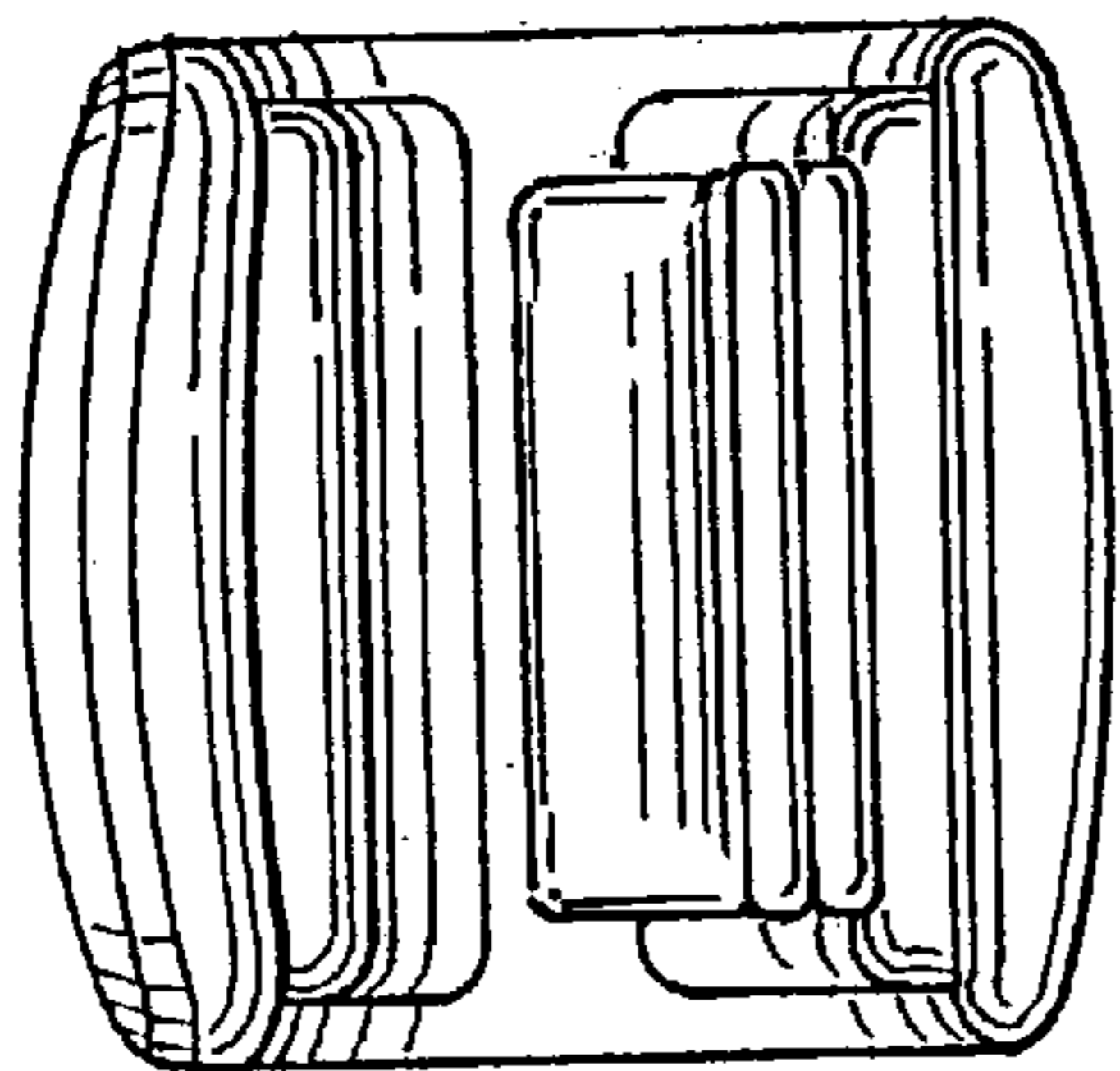


FIG.16

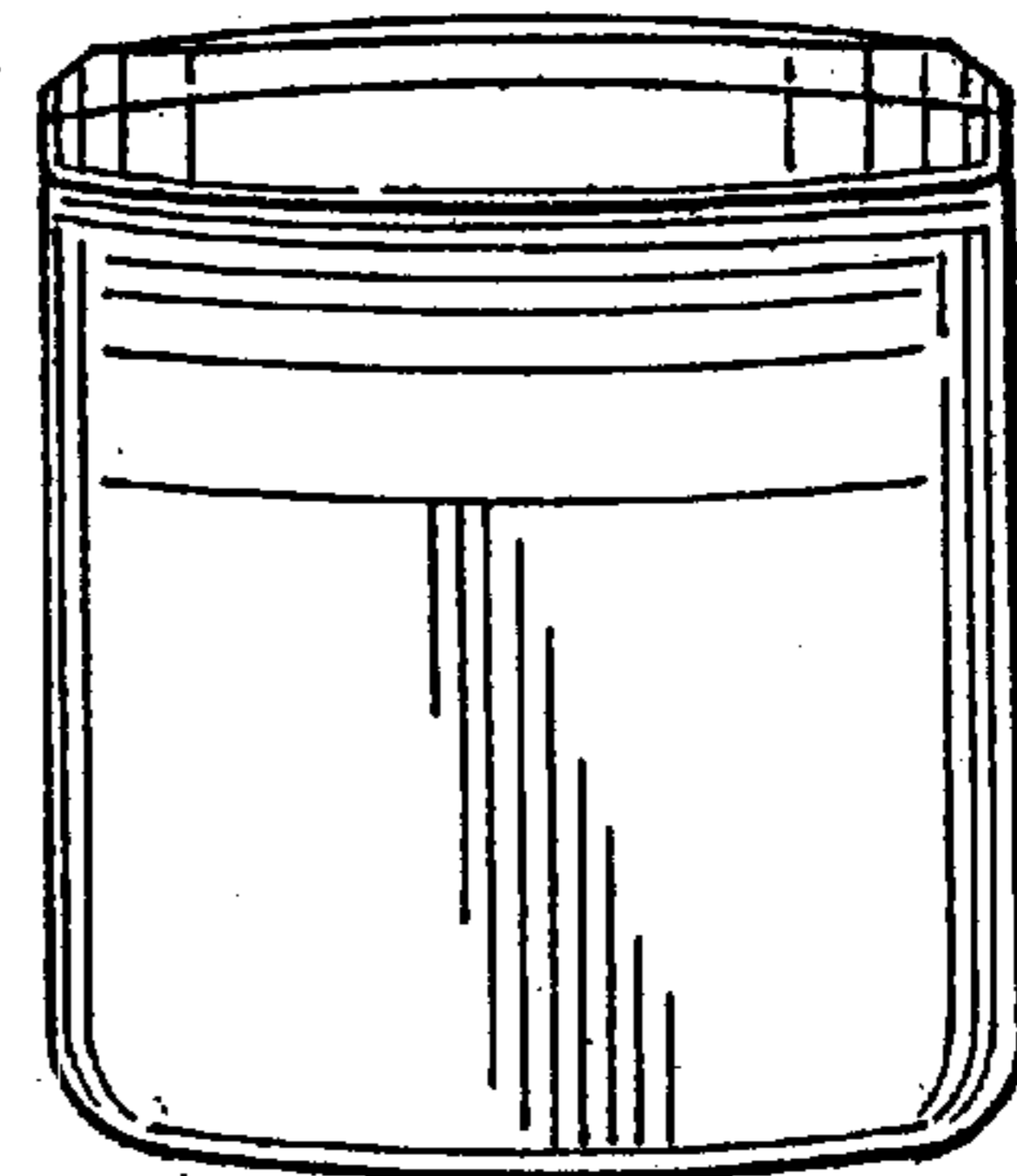


FIG.18

