



US00D526413S

(12) **United States Design Patent**
Baker et al.

(10) **Patent No.:** **US D526,413 S**

(45) **Date of Patent:** **** Aug. 8, 2006**

(54) **FILTER CANNISTER**

(75) Inventors: **Jeff Baker**, Pewaukee, WI (US); **Dave Donars**, New Berlin, WI (US)

(73) Assignee: **Smiths Medical PM, Inc.**, Waukesha, WI (US)

(**) Term: **14 Years**

(21) Appl. No.: **29/214,029**

(22) Filed: **Sep. 28, 2004**

(51) **LOC (8) Cl.** **24-04**

(52) **U.S. Cl.** **D24/164**

(58) **Field of Classification Search** D24/162,
D24/164; 210/348, 445, 446, 448, 497.01;
D10/81

See application file for complete search history.

(56) **References Cited**

U.S. PATENT DOCUMENTS

3,941,573 A * 3/1976 Chapel 210/446

D305,934 S * 2/1990 Sone D24/162

D343,682 S * 1/1994 Cattaoris et al. D24/162

5,308,483 A * 5/1994 Sklar et al. 210/445

D384,415 S * 9/1997 Maloney et al. D24/162

D475,787 S * 6/2003 Zia et al. D24/162

* cited by examiner

Primary Examiner—Louis S. Zarfes

Assistant Examiner—Daniel Yu

(74) *Attorney, Agent, or Firm*—Louis Woo

(57) **CLAIM**

The ornamental design for a filter cannister, as shown and described.

DESCRIPTION

FIG. 1 is a perspective view of the filter cannister of the instant invention;

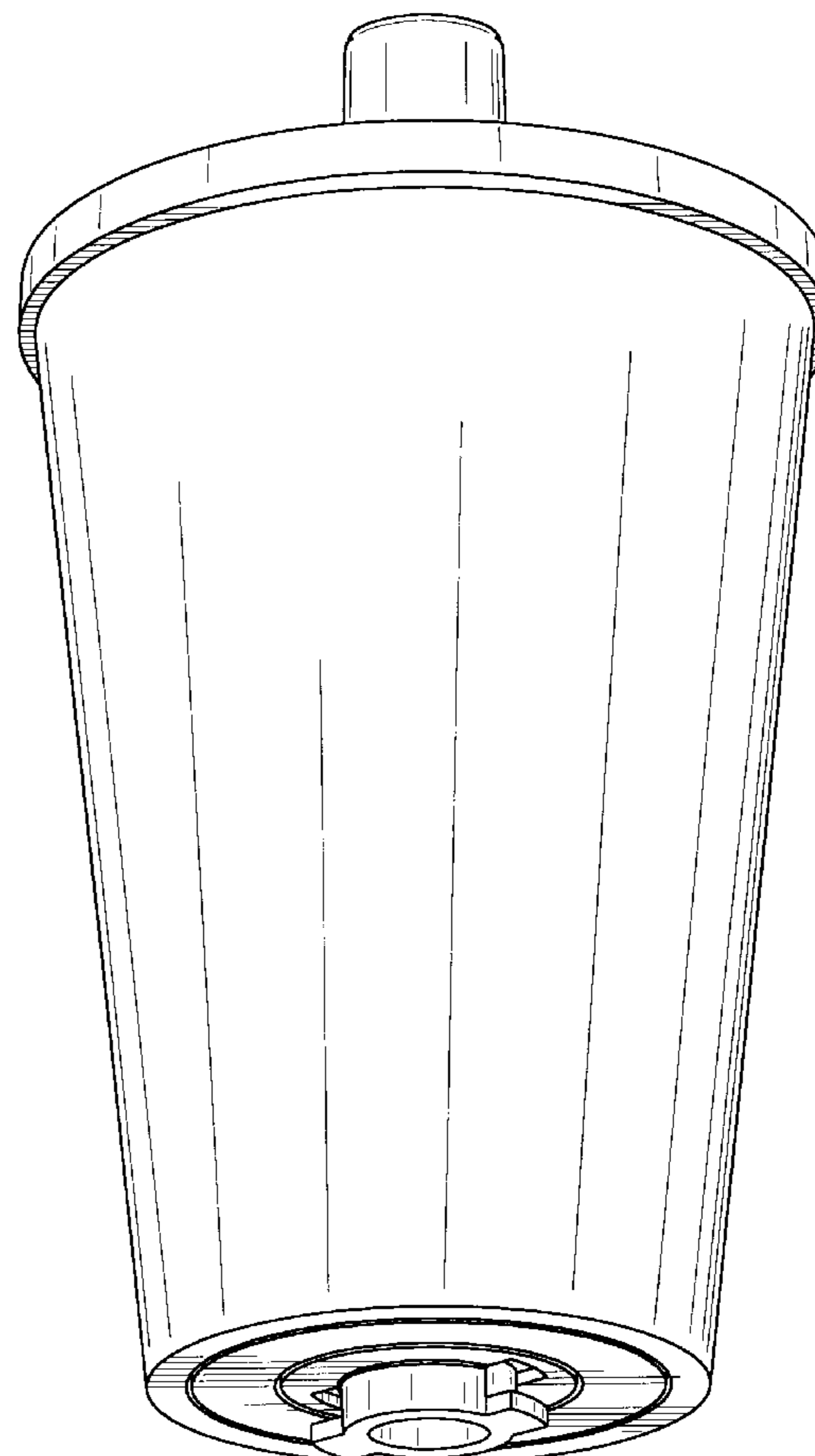
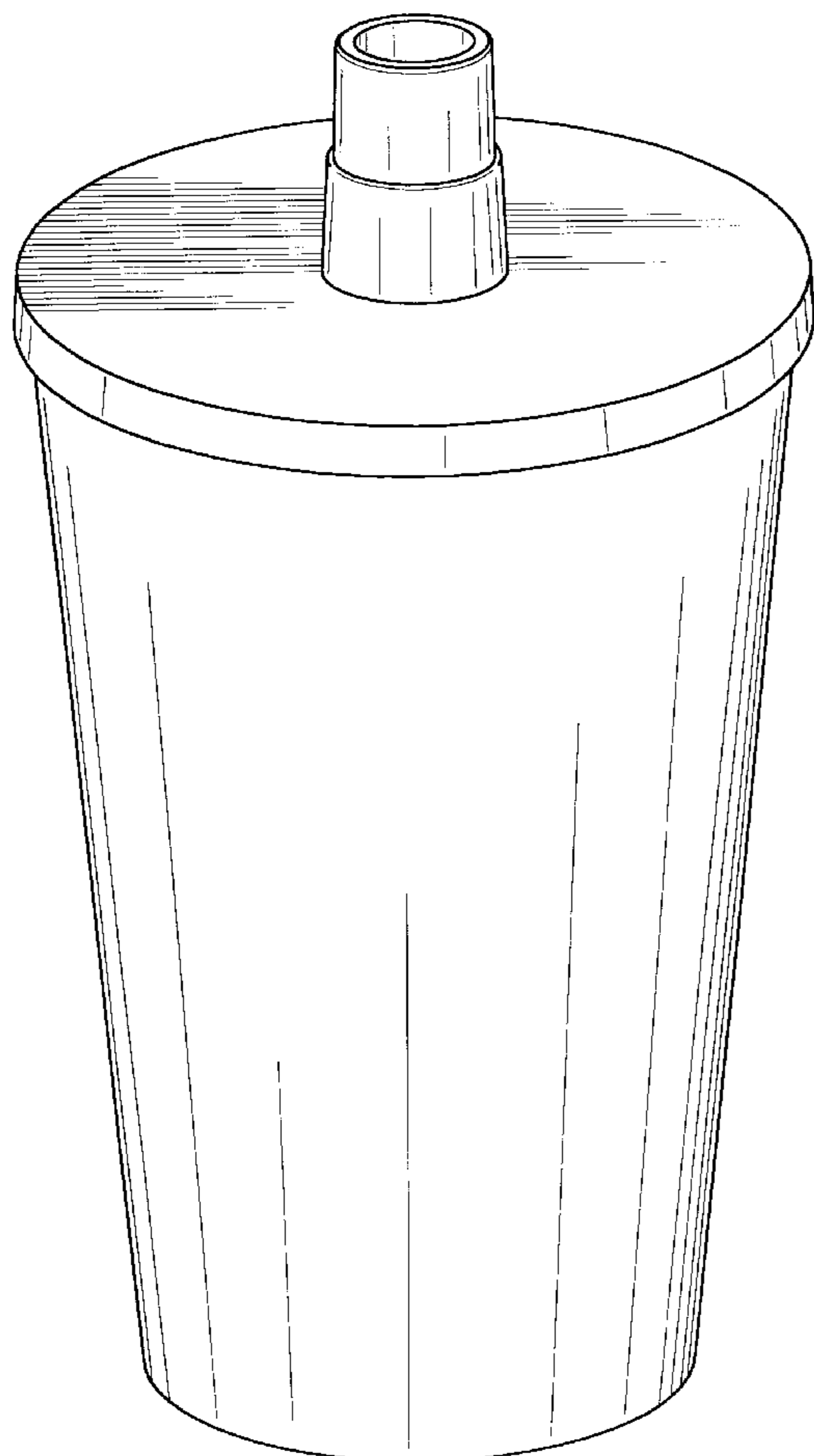
FIG. 2 is a perspective bottom view thereof;

FIG. 3 is a side view thereof;

FIG. 4 is a plan view thereof; and,

FIG. 5 is a bottom view thereof.

1 Claim, 2 Drawing Sheets



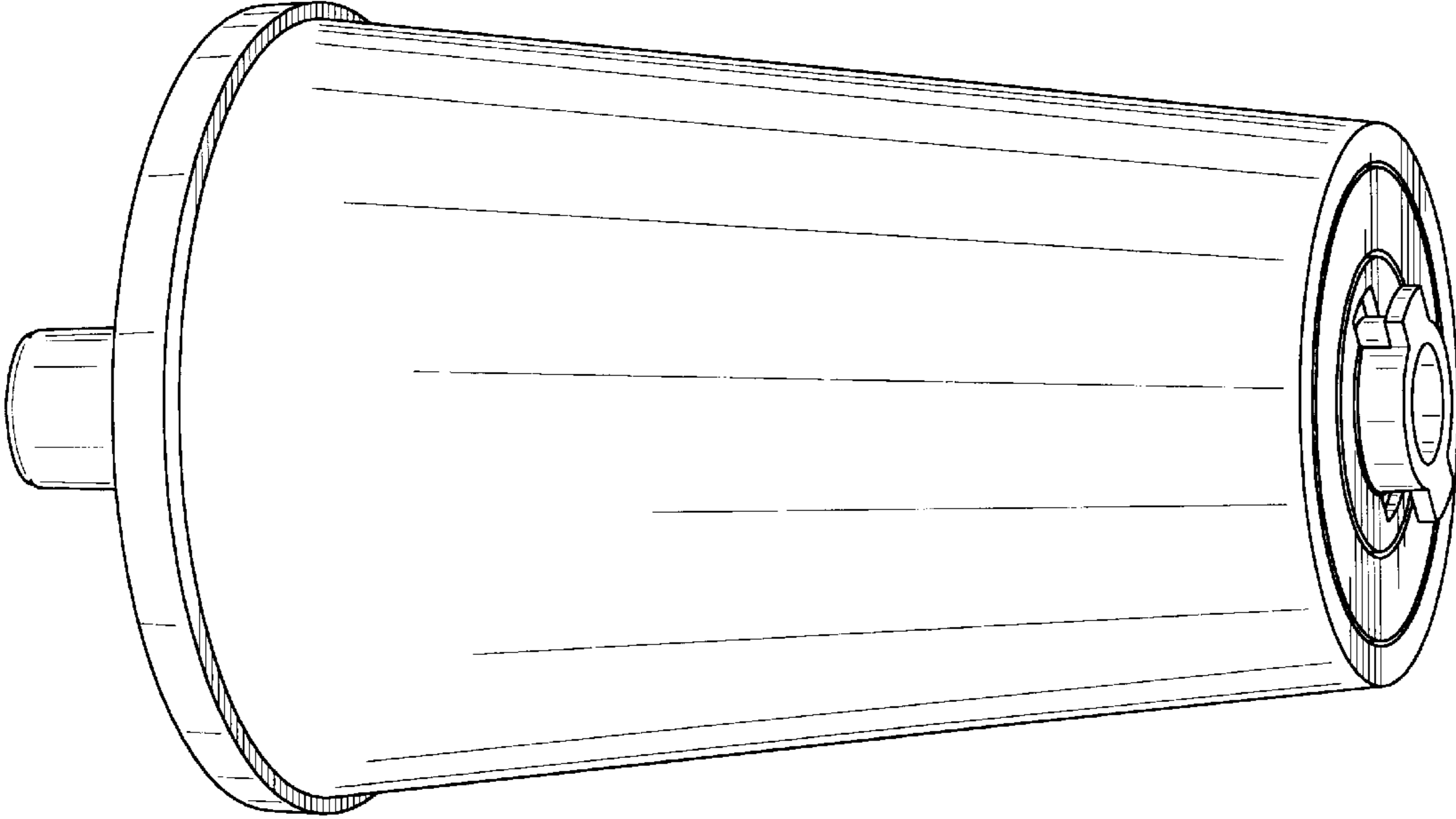


FIG. 2

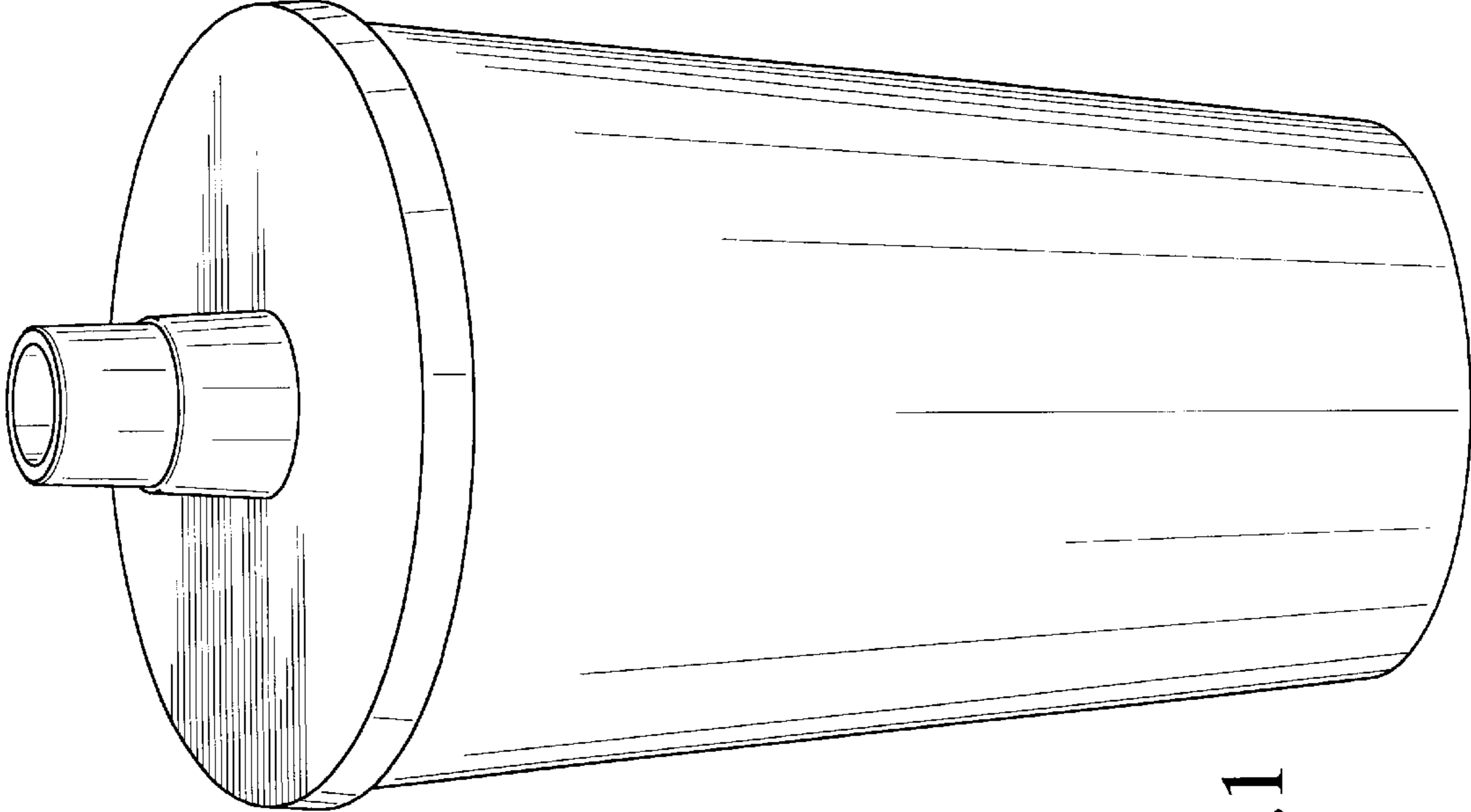


FIG. 1

