

US00D526411S

(12) **United States Design Patent**
Easley

(10) **Patent No.:** **US D526,411 S**

(45) **Date of Patent:** **** Aug. 8, 2006**

(54) **OPHTHALMIC SURGERY LIGHT SOURCE ADAPTOR**

5,993,072 A 11/1999 De Juan, Jr. et al.
6,357,932 B1 3/2002 Auld
6,454,763 B1 * 9/2002 Motter et al. 606/16
6,634,799 B1 10/2003 Auld

(75) Inventor: **James C. Easley**, Cottleville, MO (US)

* cited by examiner

(73) Assignee: **Synergetics, Inc.**, St. Charles, MO (US)

Primary Examiner—Antoine D. Davis

(**) Term: **14 Years**

Assistant Examiner—Christopher Lee

(21) Appl. No.: **29/206,333**

(74) *Attorney, Agent, or Firm*—Thompson Coburn, LLP

(22) Filed: **May 28, 2004**

(57) **CLAIM**

(51) **LOC (8) Cl.** **24-02**

The ornamental design for an ophthalmic surgery light source adaptor, as shown and described.

(52) **U.S. Cl.** **D24/150; D24/133; D24/137**

DESCRIPTION

(58) **Field of Classification Search** D24/133,
D24/137, 150; D26/49; 128/898; 362/552;
600/452, 478; 606/15, 16

FIG. 1 is a perspective view of an ophthalmic surgery light source adaptor design;

See application file for complete search history.

FIG. 2 is a right side elevation view of the adaptor of FIG. 1, the left side elevation view being a mirror image thereof;

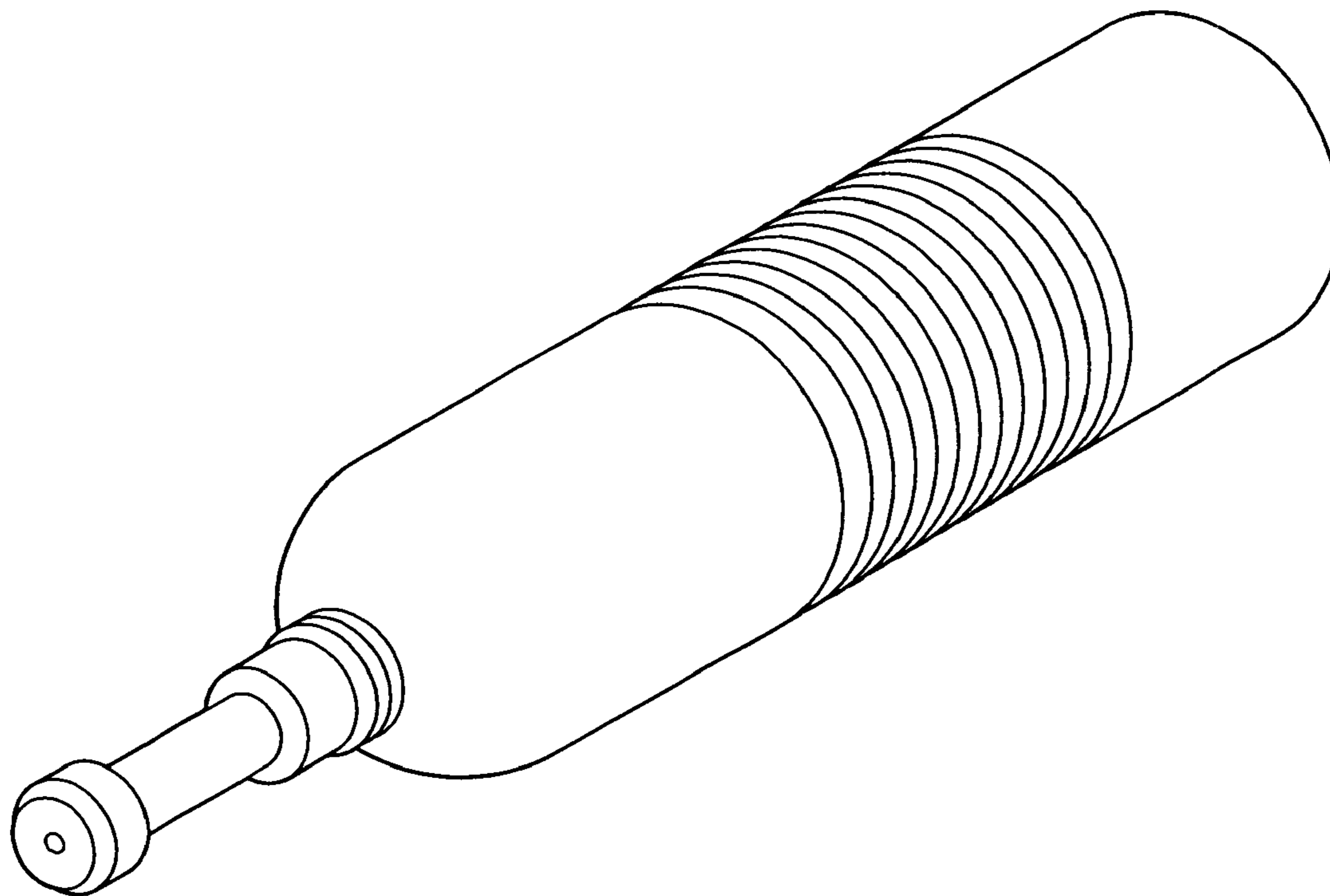
(56) **References Cited**

U.S. PATENT DOCUMENTS

D226,824 S * 5/1973 Staub D24/150

FIG. 3 is a forward end view of the adaptor of FIG. 1; and, FIG. 4 is a rearward end view of the adaptor of FIG. 1.

1 Claim, 1 Drawing Sheet



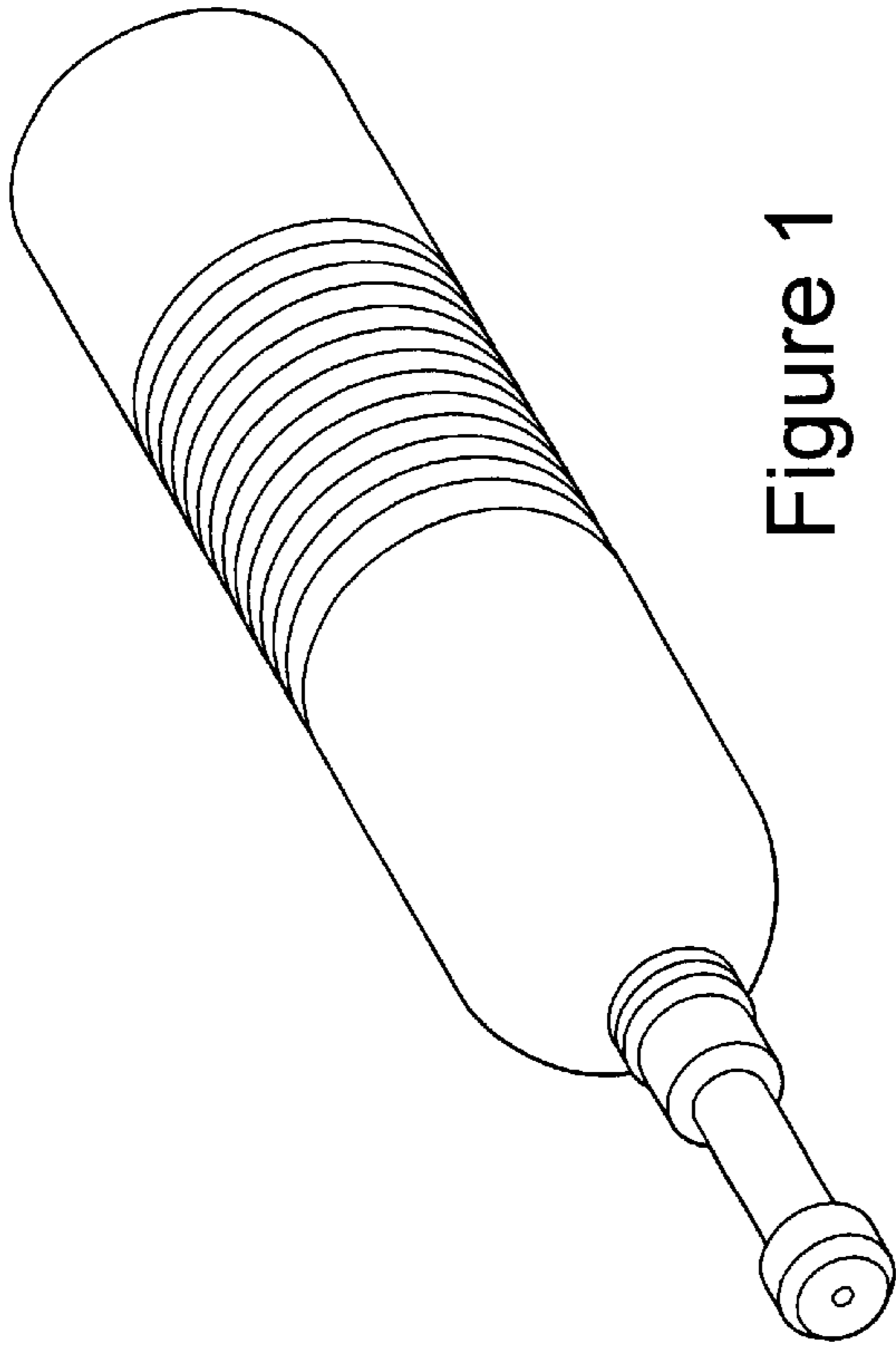


Figure 1

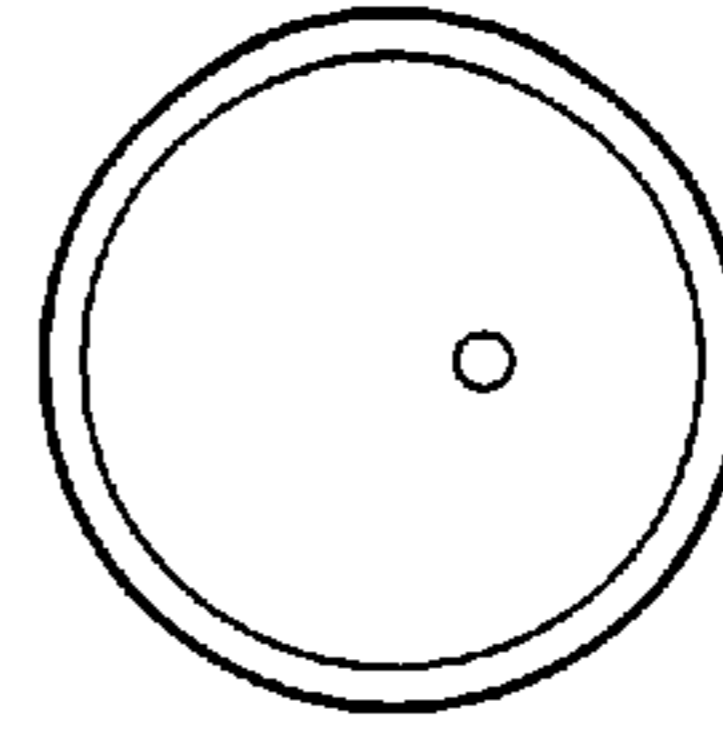


Figure 4

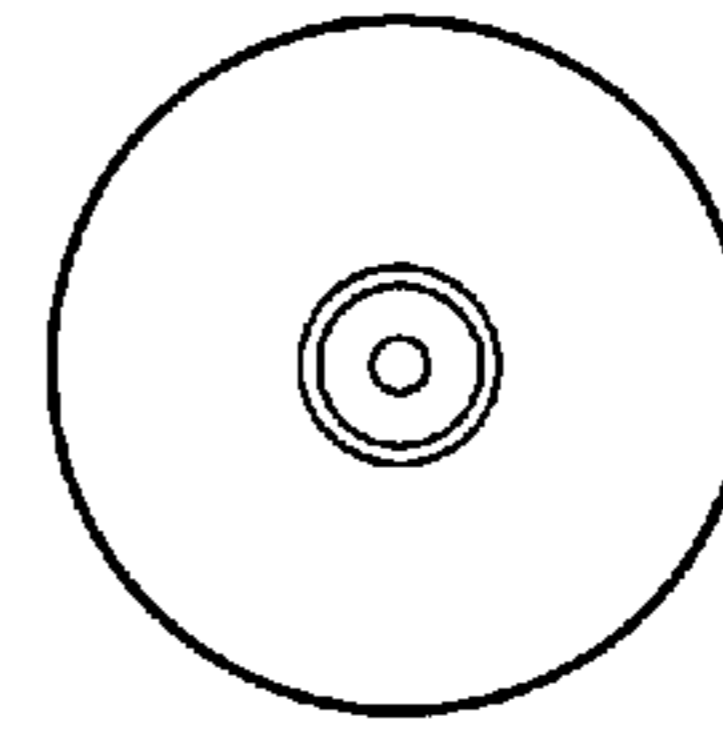


Figure 3

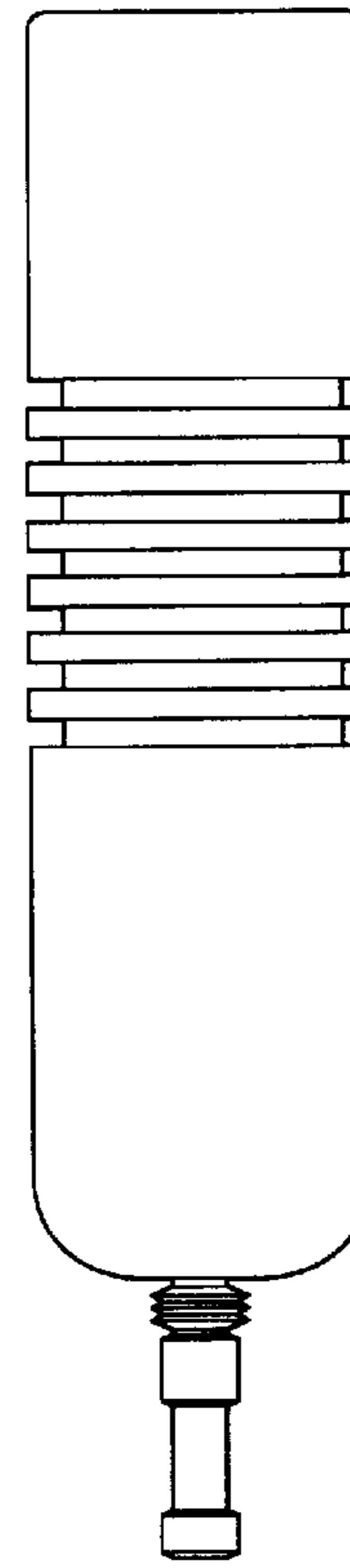


Figure 2