



US00D526410S

(12) **United States Design Patent**  
**Phillips et al.**

(10) **Patent No.:** **US D526,410 S**

(45) **Date of Patent:** **\*\* Aug. 8, 2006**

(54) **SURGICAL CLAMP**

(75) Inventors: **Burns Phillips**, Nashville, TN (US);  
**Larry Griffith**, Lakeville, MN (US)

(73) Assignee: **Boss Instruments, Ltd., Inc.**,  
Nashville, TN (US)

(\*\*) Term: **14 Years**

(21) Appl. No.: **29/230,107**

(22) Filed: **May 17, 2005**

(51) **LOC (8) Cl.** ..... **24-02**

(52) **U.S. Cl.** ..... **D24/135**

(58) **Field of Classification Search** ..... D24/135,  
D24/143, 128; D8/394; 606/57, 54; 600/234  
See application file for complete search history.

(56) **References Cited**

U.S. PATENT DOCUMENTS

5,020,195	A	*	6/1991	LeVahn	.....	24/514
5,888,197	A	*	3/1999	Mulac et al.	.....	600/234
D443,056	S	*	5/2001	Koros et al.	.....	D24/135
D455,831	S	*	4/2002	Koros et al.	.....	D24/135
D466,212	S	*	11/2002	Koros et al.	.....	D24/135

\* cited by examiner

*Primary Examiner*—Marcus A. Jackson

*Assistant Examiner*—Christopher Lee

(74) *Attorney, Agent, or Firm*—Wallenstein & Wagner, Ltd.

(57) **CLAIM**

The ornamental design for a surgical clamp, as shown and described.

**DESCRIPTION**

FIG. 1 is a perspective view of a surgical clamp showing our new design;

FIG. 2 is a front plan view of the surgical clamp as shown in FIG. 1;

FIG. 3 is a back plan view of the surgical clamp as shown in FIG. 1;

FIG. 4 is a right side plan view of the surgical clamp as shown in FIG. 1;

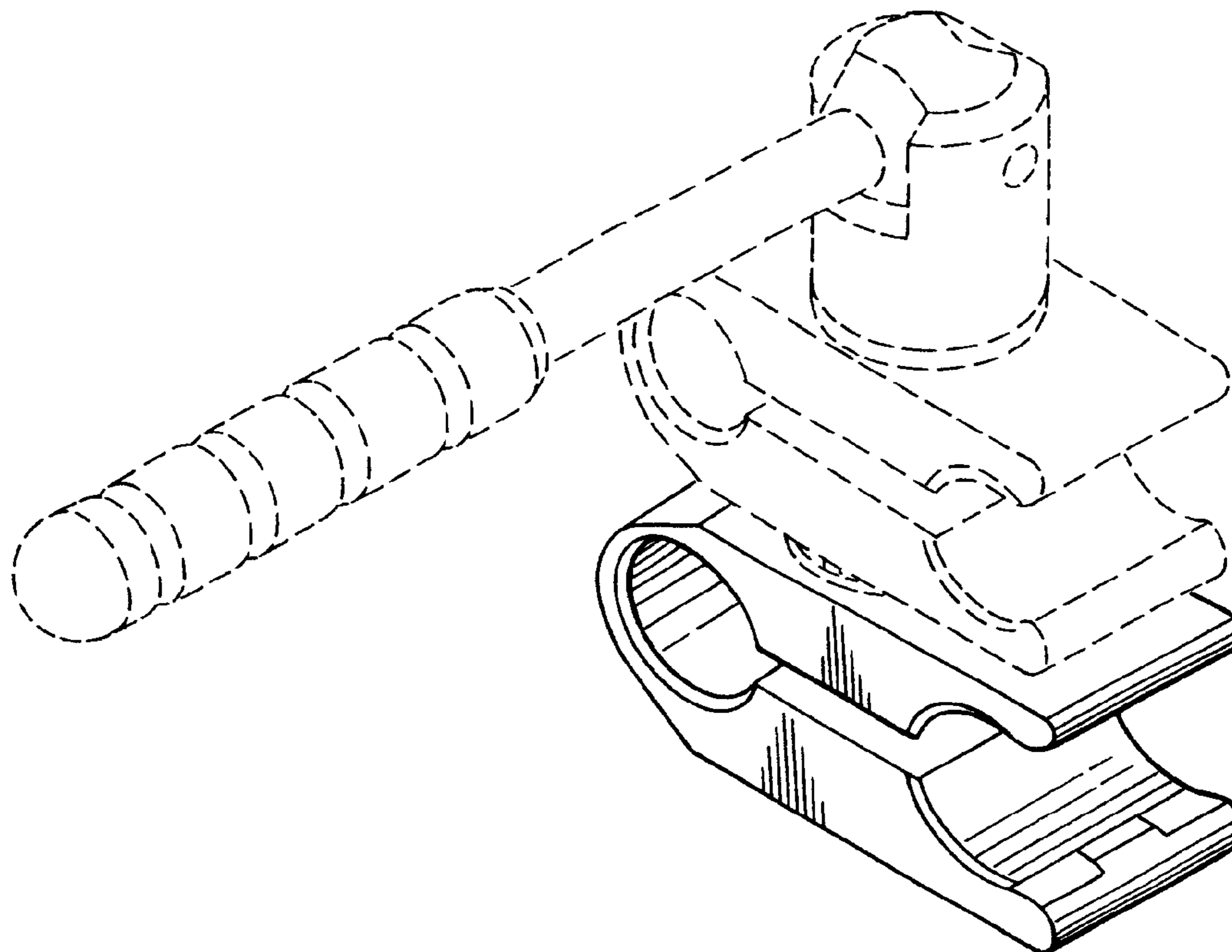
FIG. 5 is a left side plan view of the surgical clamp as shown in FIG. 1;

FIG. 6 is a top plan view of the surgical clamp as shown in FIG. 1; and,

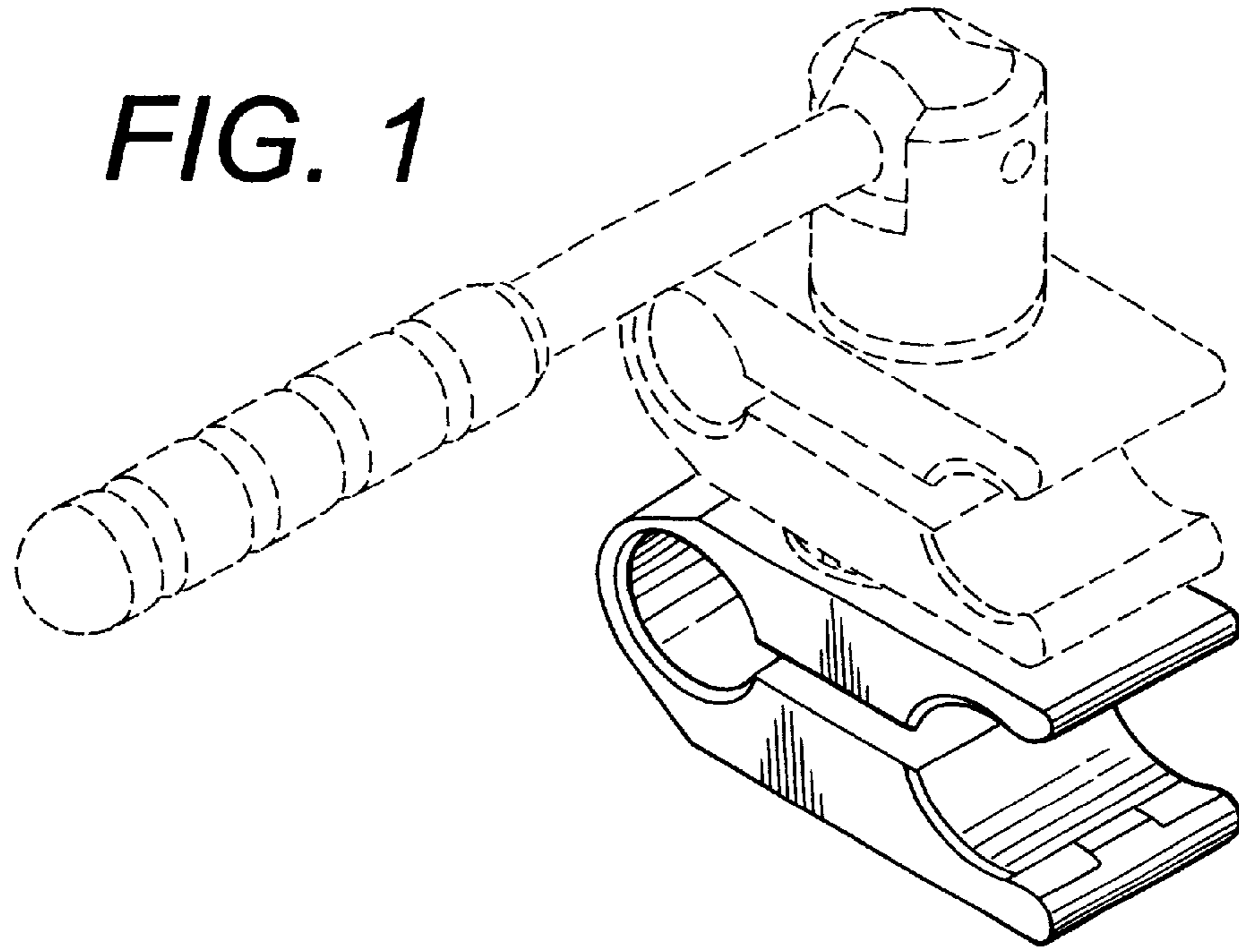
FIG. 7 is a bottom plan view of the surgical clamp as shown in FIG. 1.

The broken line showing is for illustrative purposes only and forms no part of the claimed design.

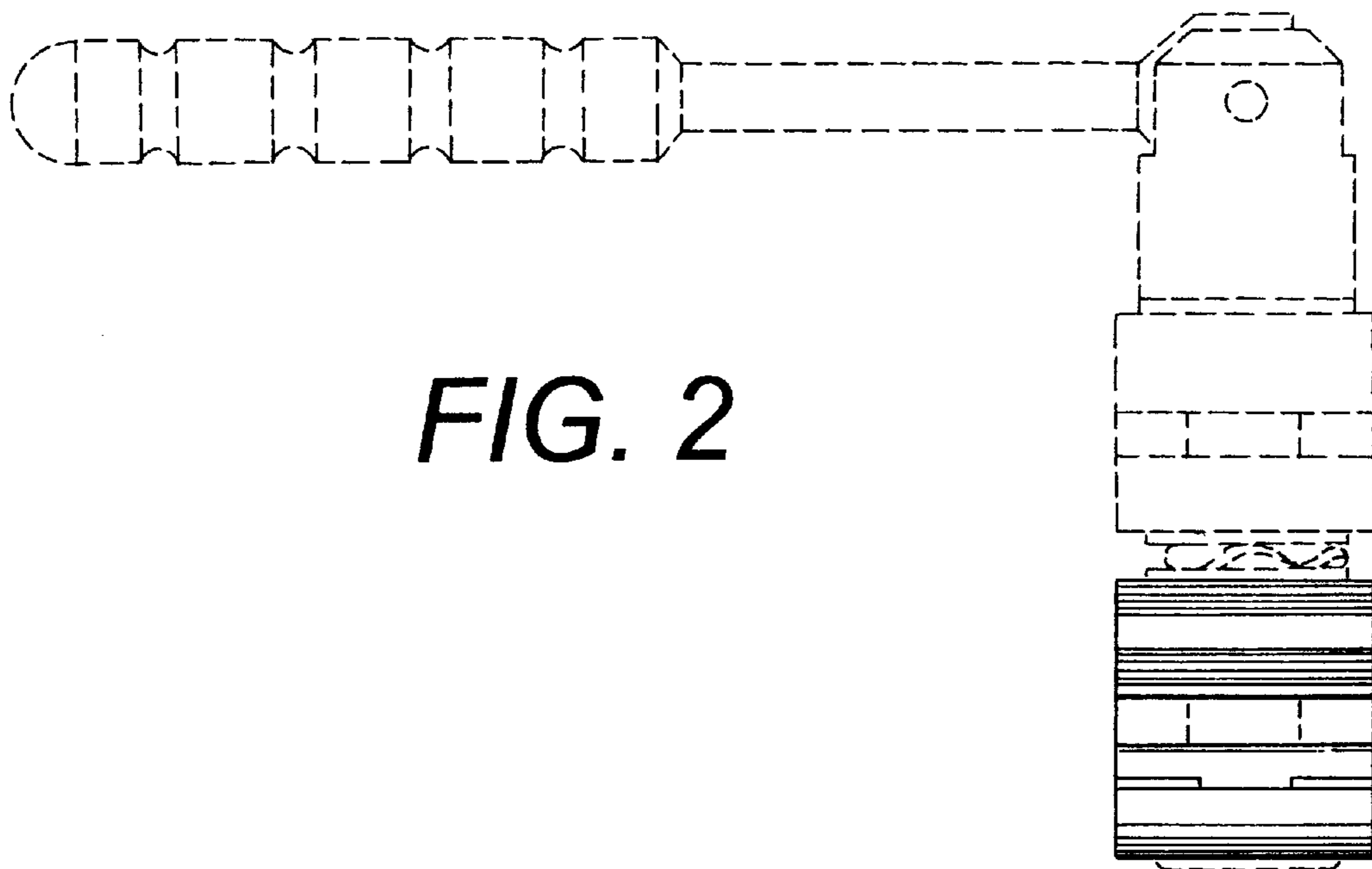
**1 Claim, 3 Drawing Sheets**

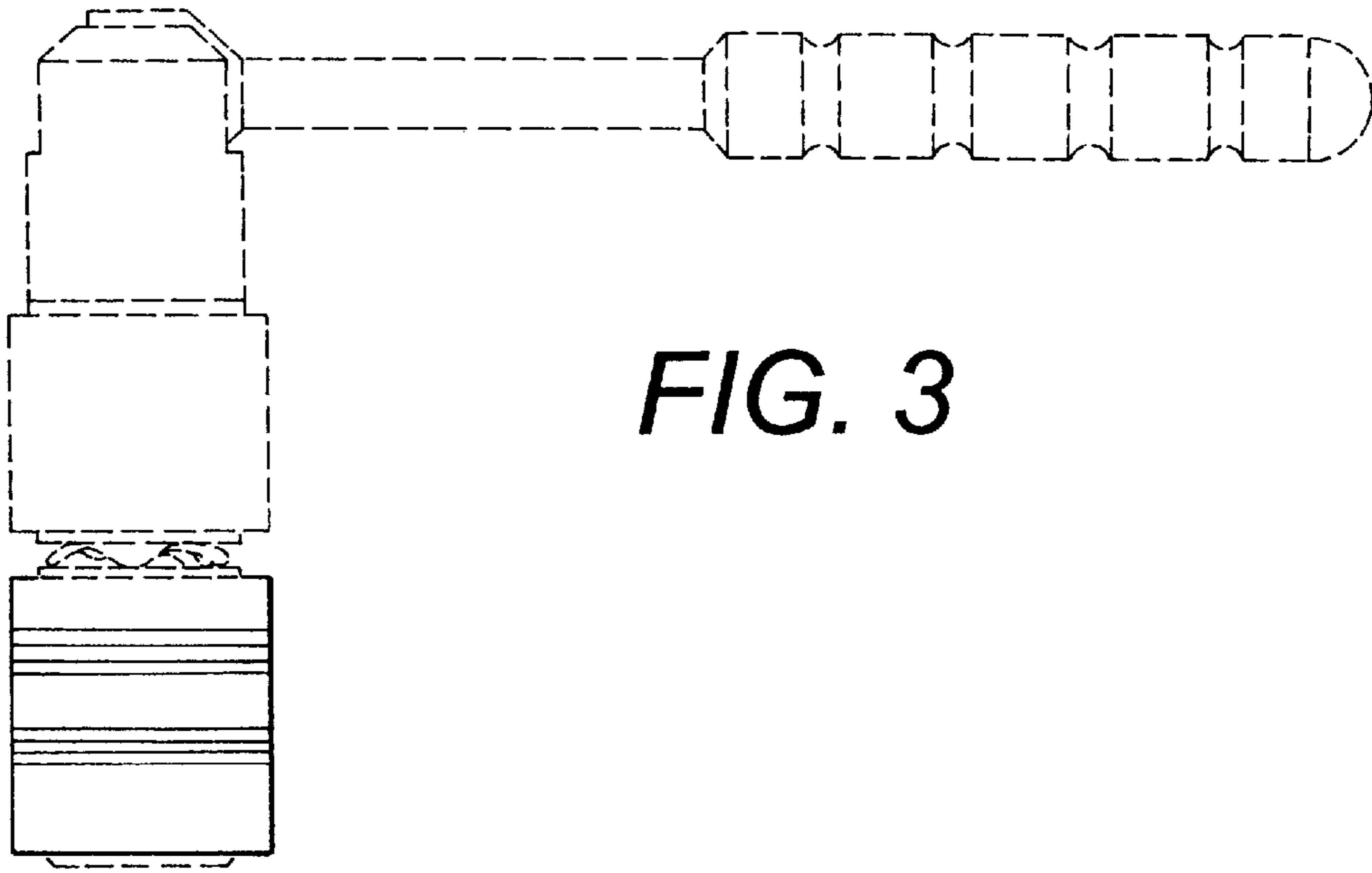


**FIG. 1**



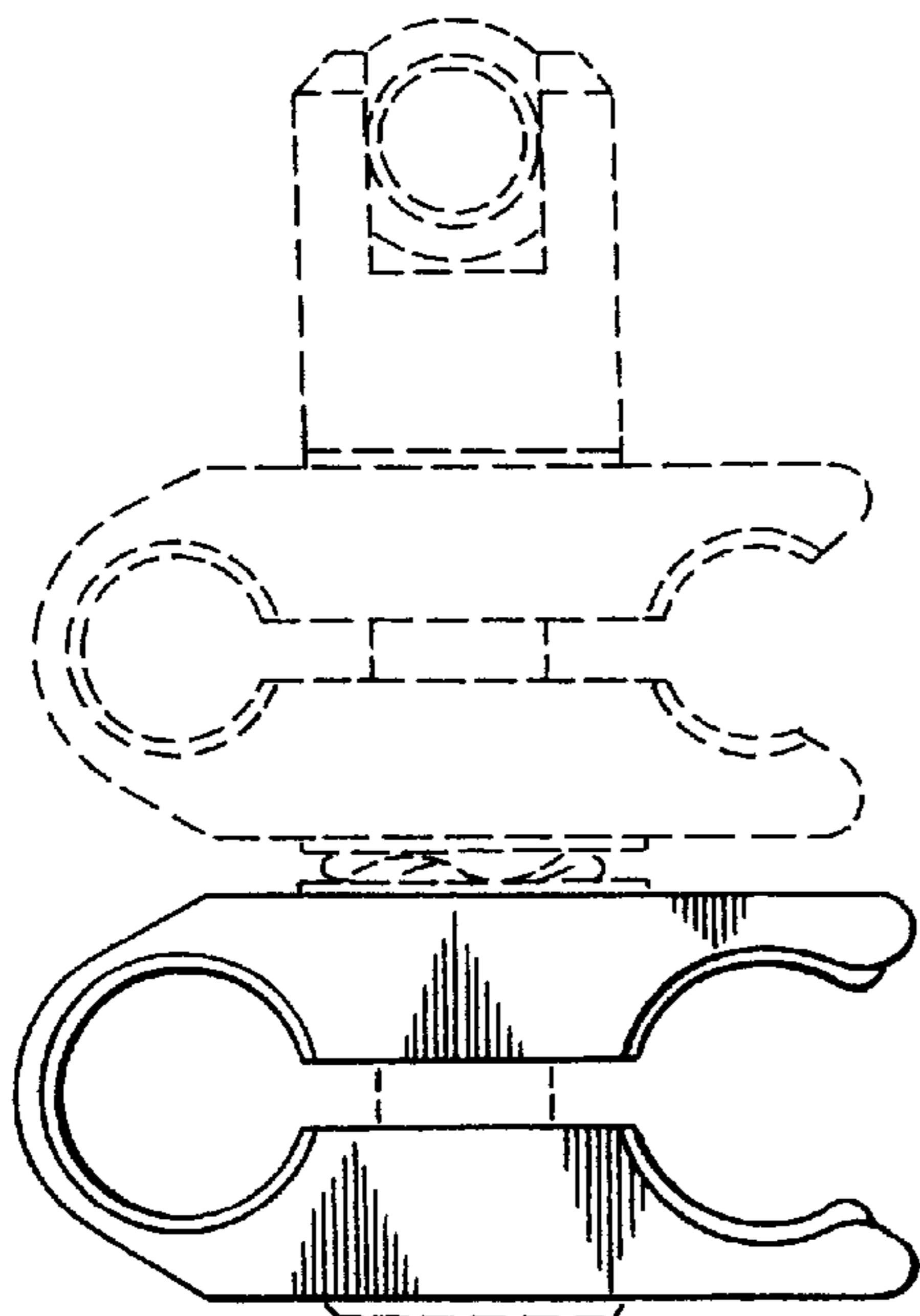
**FIG. 2**



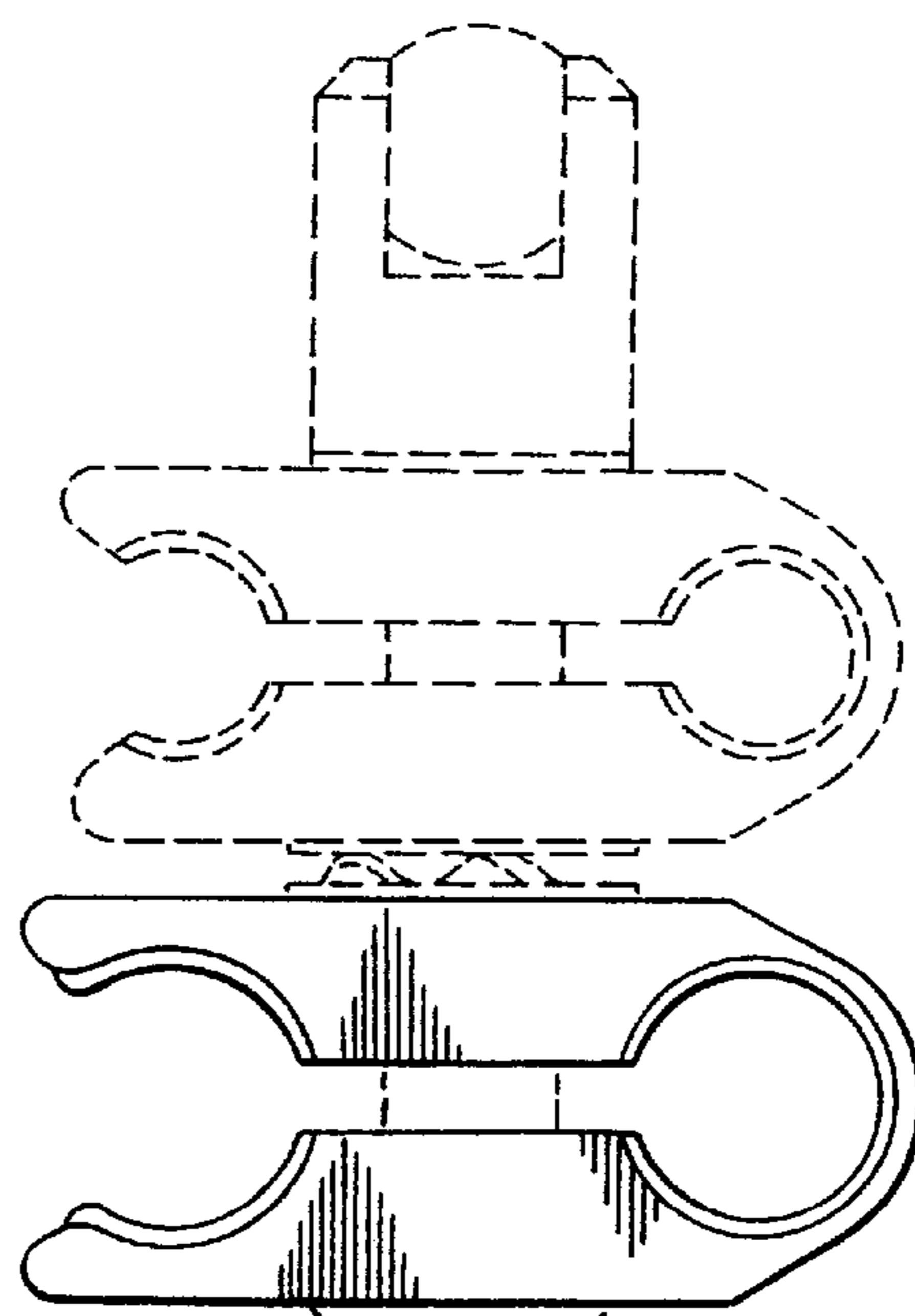


**FIG. 3**

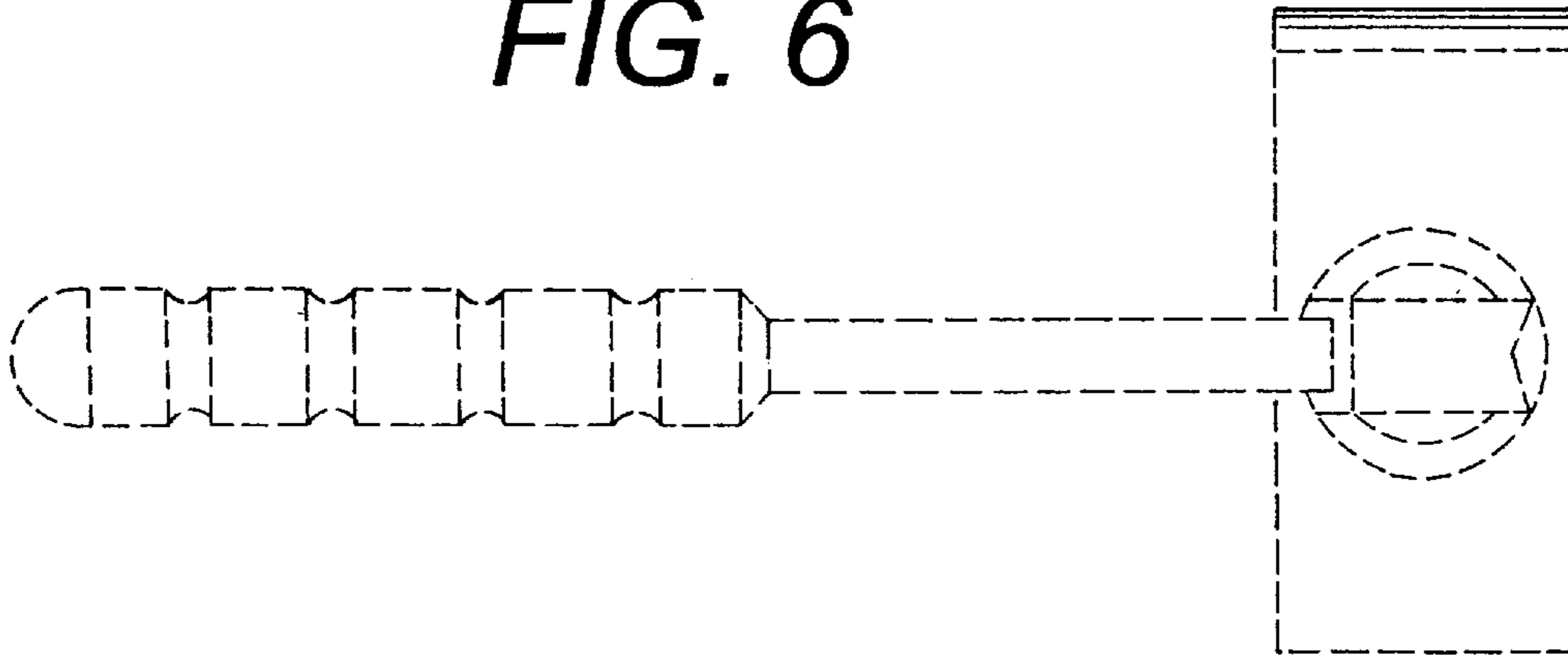
**FIG. 4**



**FIG. 5**



**FIG. 6**



**FIG. 7**

