



US00D526409S

(12) **United States Design Patent** (10) **Patent No.:** **US D526,409 S**
Nielsen et al. (45) **Date of Patent:** **** Aug. 8, 2006**

(54) **MEDICAL PUNCTURING DEVICE**

(75) Inventors: **Jan Willum Nielsen**, Roskilde (DK);
Bjorn Gullak Larsen, Roskilde (DK);
Orla Mathiasen, Roskilde (DK); **Marc Delzac**, Roskilde (DK); **Claude Teisen-Simony**, Frederiksberg (DK)

3,814,097 A 6/1974 Ganderton et al.
3,840,011 A 10/1974 Wright
3,942,528 A 3/1976 Loeser
4,014,328 A 3/1977 Cluff et al.
4,146,113 A 3/1979 Gavel
4,150,798 A 4/1979 Aragon
4,267,836 A 5/1981 Whitney et al.
4,306,705 A 12/1981 Svensson

(73) Assignee: **Unomedical A/S**, Lyngø (DK)

(Continued)

(**) Term: **14 Years**

FOREIGN PATENT DOCUMENTS

(21) Appl. No.: **29/228,632**

DE 26 20 009 A1 12/1977
DE 28 03 509 A 8/1979
DE 37 15 965 A 1/1988
DE 196 31 921 3/1997
DE 298 18 311 U1 3/1999
DE 19847143 A1 1/2000
DE 299 21 406 1/2001

(22) Filed: **Apr. 26, 2005**

Related U.S. Application Data

(63) Continuation of application No. 10/996,147, filed on Nov. 23, 2004, which is a continuation of application No. 10/017,789, filed on Dec. 13, 2001, now Pat. No. 6,840,922, which is a continuation of application No. 09/115,340, filed on Jul. 14, 1998, now Pat. No. 6,355,021.

(Continued)

(51) **LOC (8) Cl.** **24-02**

Primary Examiner—Ian Simmons
Assistant Examiner—Christopher Lee
(74) *Attorney, Agent, or Firm*—Brinks Hofer Gilson & Lione

(52) **U.S. Cl.** **D24/108; D24/129; D24/130**

(58) **Field of Classification Search** D24/146,
D24/108, 129, 130, 112; 128/917, 919; 604/272,
604/93.01, 192, 197, 268, 110, 513
See application file for complete search history.

(57) **CLAIM**

We claim the ornamental design for a medical puncturing device, as shown and described.

(56) **References Cited**

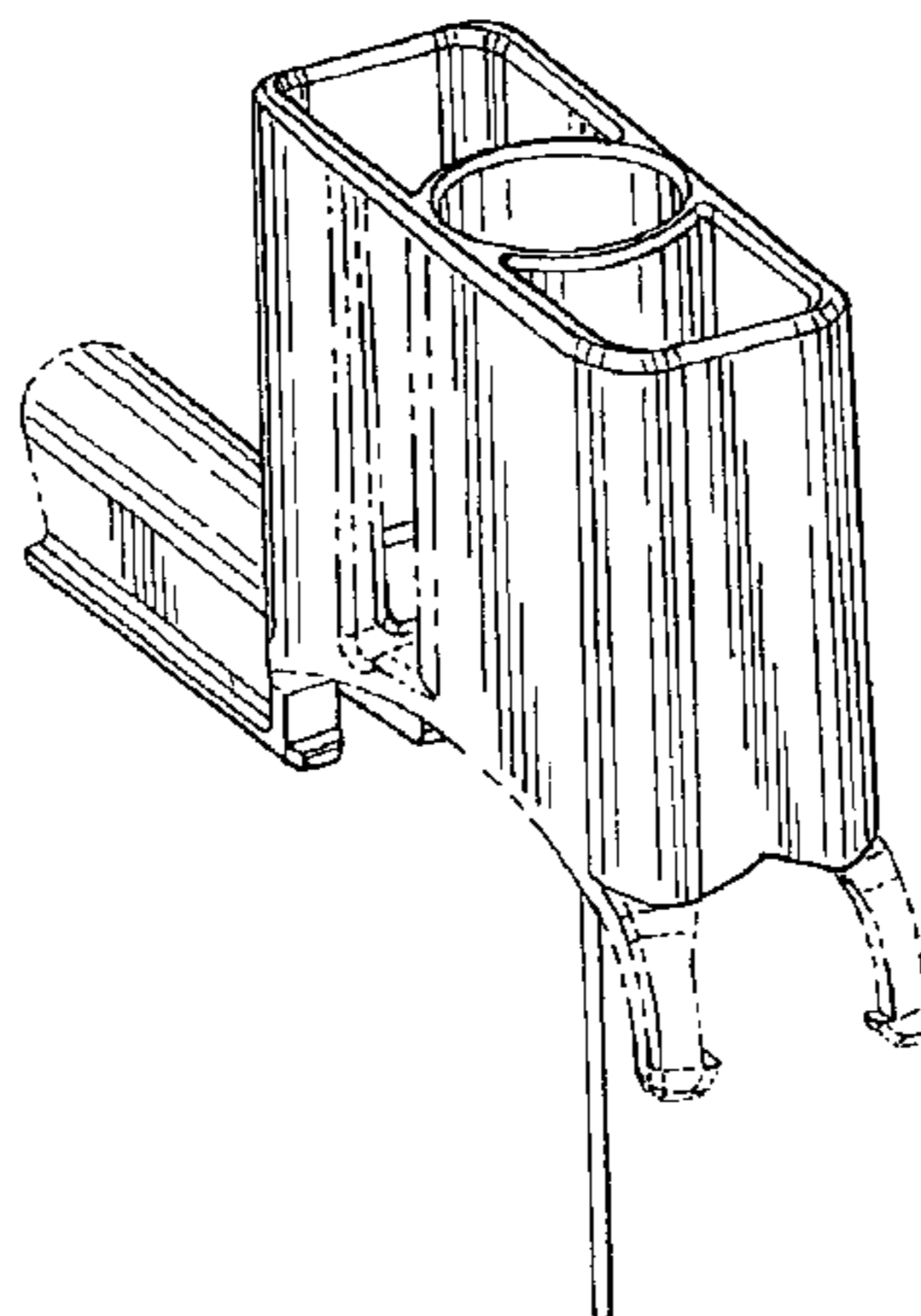
DESCRIPTION

U.S. PATENT DOCUMENTS

643,544 A 2/1900 Simmons
1,838,825 A 12/1931 Goldstein
1,991,103 A 2/1935 King
2,047,010 A 7/1936 Dickinson
2,295,849 A 9/1942 Kayden
2,319,731 A 5/1943 Garrett
2,533,731 A 12/1950 Gomberg
2,630,803 A 3/1953 Baran
2,730,099 A 1/1956 Sullivan
2,952,420 A 9/1960 Van Hoorn
3,154,080 A 10/1964 Rowan et al.
3,610,240 A 10/1971 Harautuneian
3,783,996 A 1/1974 Gerard et al.

FIG. 1 is a perspective view of a medical puncturing device showing our new design;
FIG. 2 is a left side elevational view thereof;
FIG. 3 is a rear end view thereof;
FIG. 4 is a front end view thereof;
FIG. 5 is a top view thereof;
FIG. 6 is a bottom view thereof; and,
FIG. 7 is a perspective view thereof.
The ornamental design which is claimed is shown in solid lines in the drawings. Any broken lines in the drawings are for illustrative purposes only and form no part of the claimed design.

1 Claim, 3 Drawing Sheets



US D526,409 S

U.S. PATENT DOCUMENTS			
D267,199 S	12/1982	Koenig	5,507,730 A 4/1996 Haber et al.
4,365,630 A	12/1982	McFarlane	5,519,167 A 5/1996 Kunimoto et al.
4,406,042 A	9/1983	McPhee	5,520,654 A 5/1996 Wahlberg
4,517,971 A	5/1985	Sorbonned	5,522,803 A 6/1996 Teissen-Simony
4,530,695 A	7/1985	Phillips et al.	5,533,974 A 7/1996 Gaba
4,531,686 A	7/1985	Shaw	5,540,709 A 7/1996 Ramel
4,576,846 A	3/1986	Noel	5,545,143 A 8/1996 Fischell
4,606,735 A	8/1986	Wilder et al.	5,545,152 A 8/1996 Funderburk et al.
4,616,790 A	10/1986	Beltran	5,554,130 A 9/1996 McDonald et al.
4,637,404 A	1/1987	Gessman	5,562,636 A 10/1996 Utterberg
4,662,873 A	5/1987	Lash et al.	5,584,813 A 12/1996 Livingston et al.
4,682,702 A	7/1987	Gach	5,591,188 A 1/1997 Waisman
4,713,059 A	12/1987	Bickelhaupt et al.	5,599,315 A 2/1997 McPhee
4,734,092 A	3/1988	Millerd	5,599,318 A 2/1997 Sweeney et al.
4,755,173 A	7/1988	Konopka et al.	5,643,220 A 7/1997 Cosme
4,802,638 A	2/1989	Burger et al.	5,662,617 A 9/1997 Odell et al.
4,817,603 A	4/1989	Turner et al.	5,665,071 A 9/1997 Wyrick
RE32,922 E	5/1989	Levin et al.	5,665,075 A 9/1997 Gyure et al.
4,838,871 A	6/1989	Luther	5,681,323 A 10/1997 Arick
4,850,974 A	7/1989	Bickelhaupt et al.	5,695,476 A 12/1997 Harris
4,878,897 A	11/1989	Katzin	5,704,920 A 1/1998 Gyure
4,895,570 A	1/1990	Larkin	5,714,225 A 2/1998 Hansen et al.
D306,500 S	3/1990	Brahler	5,741,288 A 4/1998 Rife
4,913,369 A	4/1990	Lia et al.	5,752,923 A 5/1998 Terwilliger
4,917,669 A	4/1990	Bonaldo	5,810,835 A 9/1998 Ryan et al.
4,978,338 A	12/1990	Melsky et al.	D402,538 S 12/1998 Wagter et al.
4,982,842 A	1/1991	Hollister	5,851,197 A 12/1998 Marano et al.
4,994,045 A	2/1991	Ranford	5,865,806 A 2/1999 Howell
5,011,475 A	4/1991	Olsen	5,873,540 A 2/1999 Hardin
5,098,389 A	3/1992	Cappucci	5,899,886 A 5/1999 Cosme
5,112,313 A	5/1992	Sallee	5,915,640 A 6/1999 Wagter et al.
5,116,324 A	5/1992	Brierley et al.	5,925,032 A 7/1999 Clements
5,116,325 A	5/1992	Paterson	5,947,935 A 9/1999 Rhinehart et al.
5,121,751 A	6/1992	Panalletta	5,951,523 A 9/1999 Osterlind et al.
5,141,496 A	8/1992	Dalto et al.	5,957,892 A 9/1999 Thorne
5,147,319 A	9/1992	Ishikawa et al.	5,968,011 A 10/1999 Larsen et al.
5,147,375 A	9/1992	Sullivan et al.	5,975,120 A 11/1999 Novosel
5,161,681 A	11/1992	Kemp et al.	5,980,488 A 11/1999 Thorne
5,163,915 A	11/1992	Holleron	5,984,224 A 11/1999 Yang
5,176,662 A	1/1993	Bartholomew et al.	5,984,897 A 11/1999 Petersen et al.
5,188,314 A	2/1993	Peters	5,992,787 A 11/1999 Burke
5,188,611 A	2/1993	Orgain	D417,733 S * 12/1999 Howell et al. D24/112
RE34,223 E	4/1993	Bonaldo	6,017,328 A 1/2000 Fischell et al.
5,222,947 A	6/1993	D'Amico	D421,119 S * 2/2000 Musgrave et al. D24/112
5,232,454 A	8/1993	Hollister	6,039,629 A 3/2000 Mitchell
5,236,143 A	8/1993	Dragon	6,045,533 A 4/2000 Kriesel et al.
5,240,199 A	8/1993	Peters	6,056,718 A 5/2000 Funderburk et al.
5,248,301 A	9/1993	Koenig et al.	6,086,008 A 7/2000 Gray et al.
5,256,152 A	10/1993	Marks	6,090,068 A 7/2000 Chanut
5,257,980 A	11/1993	Van Antwerp et al.	6,093,172 A 7/2000 Funderburk et al.
5,265,822 A	11/1993	Shober, Jr. et al.	6,093,179 A 7/2000 O'Hara et al.
5,269,799 A	12/1993	Daniel	6,099,503 A 8/2000 Stradella
5,279,579 A	1/1994	D'Amico	6,105,218 A 8/2000 Reekie
5,279,591 A	1/1994	Simon	6,120,482 A 9/2000 Szabo
5,300,030 A	4/1994	Crossman et al.	6,123,690 A 9/2000 Mejslov
5,312,359 A	5/1994	Wallace	6,132,755 A 10/2000 Eicher et al.
5,312,369 A	5/1994	Arcusin et al.	6,219,574 B1 4/2001 Cormier et al.
5,316,246 A	5/1994	Scott et al.	6,248,093 B1 6/2001 Moberg
5,350,392 A	9/1994	Purcell et al.	6,293,925 B1 9/2001 Safabash et al.
5,376,082 A	12/1994	Phelps	6,302,866 B1 10/2001 Marggi
5,384,174 A	1/1995	Ward et al.	6,322,535 B1 11/2001 Hitchins et al.
5,388,931 A	2/1995	Carlson	6,322,808 B1 11/2001 Trautman et al.
5,391,151 A	2/1995	Wilmot	6,334,856 B1 1/2002 Allen et al.
5,403,288 A	4/1995	Stanners	6,355,021 B1 3/2002 Nielsen et al.
5,405,332 A	4/1995	Opalek	6,379,335 B1 4/2002 Rigon et al.
5,429,613 A	7/1995	D'Amico	D456,692 S 5/2002 Epstein
5,449,349 A	9/1995	Sallee et al.	6,387,076 B1 5/2002 Landuyt
5,487,506 A	1/1996	Drummond et al.	6,488,663 B1 12/2002 Steg
5,490,841 A	2/1996	Landis	6,520,938 B1 2/2003 Funderburk et al.
5,505,709 A	4/1996	Funderburk et al.	D472,316 S 3/2003 Douglas et al.
			D472,630 S 4/2003 Douglas et al.

US D526,409 S

6,572,586 B1	6/2003	Wojcik	2004/0178098 A1	9/2004	Swenson et al.
6,579,267 B1	6/2003	Lynch et al.	2004/0186446 A1	9/2004	Ohshima
6,595,962 B1	7/2003	Perthu	2004/0204687 A1	10/2004	Mogensen et al.
6,607,509 B1	8/2003	Bobroff et al.	2004/0220528 A1	11/2004	Garcia, Jr.
6,607,511 B1	8/2003	Halseth et al.	2004/0238392 A1	12/2004	Peterson et al.
6,629,949 B1	10/2003	Douglas	2004/0254433 A1	12/2004	Bandis et al.
6,726,649 B1	4/2004	Swenson et al.	2004/0260235 A1	12/2004	Douglas
6,811,545 B1	11/2004	Vaillancourt	2004/0260250 A1	12/2004	Harris et al.
6,814,720 B1	11/2004	Olsen et al.	2006/0030815 A1 *	2/2006	Csincsura et al. 604/93.01
6,824,530 B1	11/2004	Wagner et al.			
6,824,531 B1	11/2004	Zecha, Jr. et al.			
6,830,562 B1	12/2004	Mogensen et al.			
6,923,791 B1 *	8/2005	Douglas 604/167.05			
2001/0004970 A1	6/2001	Hollister et al.	DE	101 06 074 A1	6/2002
2001/0021827 A1	9/2001	Ferguson et al.	EP	0 239 244 B1	2/1987
2001/0039401 A1	11/2001	Ferguson et al.	EP	0 475 857	3/1992
2002/0068904 A1	6/2002	Pluth et al.	EP	0 633 039	7/1994
2002/0072720 A1	6/2002	Hague et al.	EP	744 183 A2	11/1996
2002/0111581 A1	8/2002	Sasso	EP	0 916 361 A1	5/1999
2002/0145073 A1	10/2002	Swanson	EP	0 931 560 A1	7/1999
2002/0156427 A1	10/2002	Suzuki et al.	EP	1 060 757 A1	12/2000
2002/0161332 A1	10/2002	Ramey	EP	1 086 718 A	3/2001
2002/0169419 A1	11/2002	Steg	EP	0 775 501	6/2002
2002/0183688 A1	12/2002	Lastovich et al.	EP	0 956 879 A1	7/2004
2002/0193744 A1	12/2002	Alesi et al.	FR	576849	8/1924
2003/0069548 A1	4/2003	Connelly et al.	FR	2725902	10/1994
2003/0109829 A1	6/2003	Mogensen et al.	FR	2733915 A1	11/1996
2003/0125669 A1	7/2003	Safabash et al.	FR	2781617 A1	1/2000
2003/0125678 A1	7/2003	Swenson et al.	GB	478803	1/1938
2003/0130619 A1	7/2003	Safabash et al.	GB	1 403 034	8/1975
2003/0139704 A1	7/2003	Lin	JP	5326062 A	12/1993
2003/0158520 A1	8/2003	Safabash et al.	JP	9217584 A	9/1997
2003/0176843 A1	9/2003	Wilkinson	JP	2000-59877 A	2/2000
2003/0181863 A1	9/2003	Davis et al.	JP	3140740 B2	3/2001
2003/0181868 A1	9/2003	Swenson	JP	2002-028246	1/2002
2003/0181873 A1	9/2003	Swenson	WO	WO 87/06474	11/1987
2003/0187394 A1	10/2003	Wilkinson et al.	WO	WO 93/03787	3/1993
2003/0187395 A1	10/2003	Wilkinson et al.	WO	WO 93/05840	4/1993
2003/0199823 A1	10/2003	Bobroff et al.	WO	WO 95/28327 A	10/1995
2003/0216686 A1 *	11/2003	Lynch et al. 604/93.01	WO	WO 96/35472 A1	11/1996
2003/0225373 A1	12/2003	Bobroff et al.	WO	WO 98/58693	12/1998
2003/0225374 A1	12/2003	Mathiasen	WO	WO 99/33504	7/1999
2003/0229316 A1	12/2003	Hwang et al.	WO	WO 99/36009	7/1999
2004/0002682 A1	1/2004	Kovelman et al.	WO	WO 99/56802	11/1999
2004/0044306 A1	3/2004	Lynch et al.	WO	WO 00/02614	1/2000
2004/0049159 A1	3/2004	Barrus et al.	WO	WO 00/03757	1/2000
2004/0068231 A1	4/2004	Blondeau	WO	WO 00/44324 A1	8/2000
2004/0087913 A1	5/2004	Rogers et al.	WO	WO 01/68180	9/2001
2004/0111068 A1	6/2004	Swenson	WO	WO 02/46080	6/2002
2004/0112781 A1	6/2004	Hofverberg et al.	WO	WO 02/094352	11/2002
2004/0138620 A1	7/2004	Douglas et al.	WO	WO 02/100457	12/2002
2004/0143218 A1	7/2004	Das	WO	WO 02/068014	1/2003
2004/0158202 A1	8/2004	Jensen	WO	WO 03/015860 A1	2/2003
2004/0158207 A1	8/2004	Hunn et al.	WO	WO 03/026728	4/2003
2004/0171989 A1	9/2004	Horner et al.	WO	WO 04/030726 A	4/2004

FOREIGN PATENT DOCUMENTS

* cited by examiner

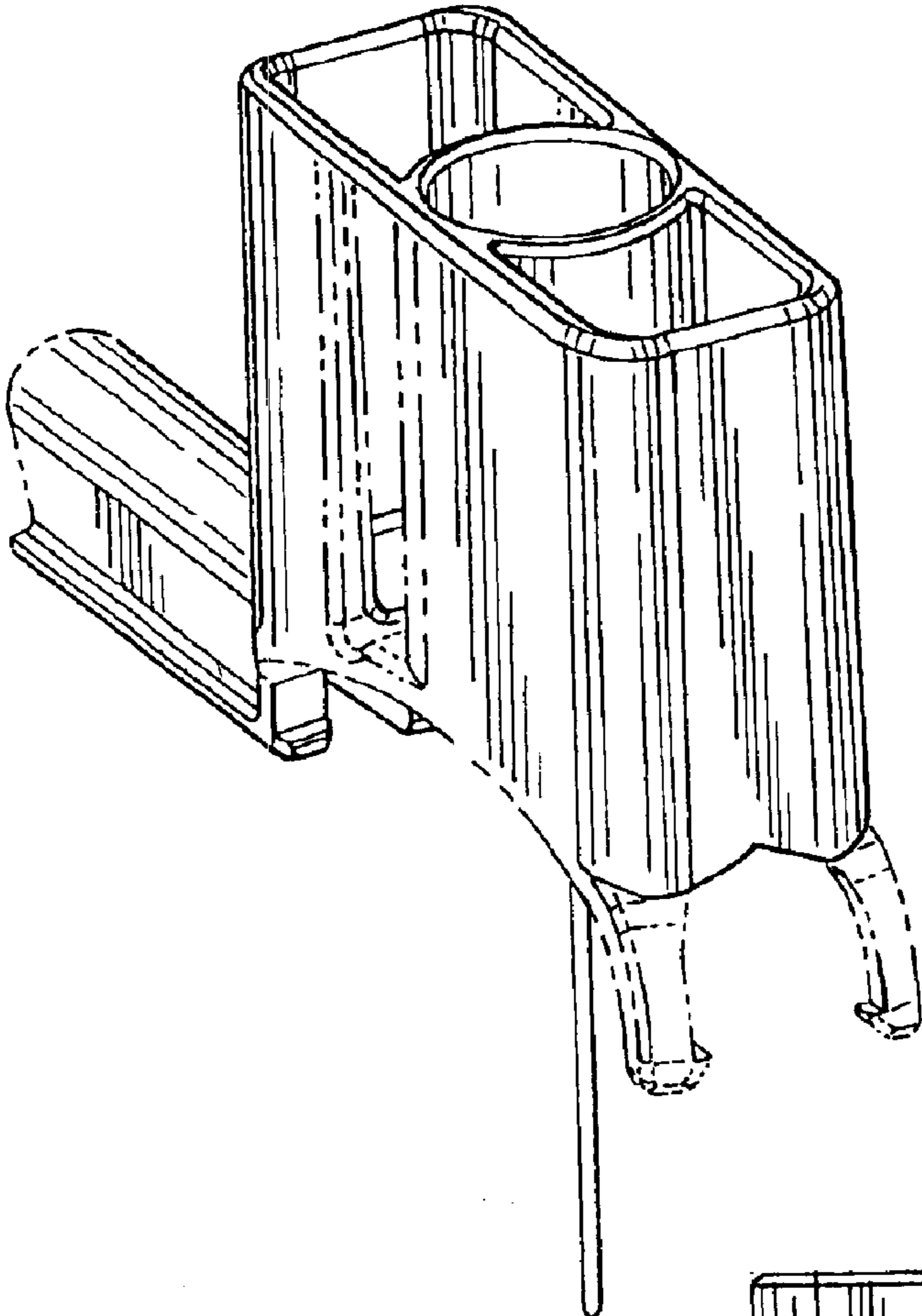


FIG. 1

FIG. 2

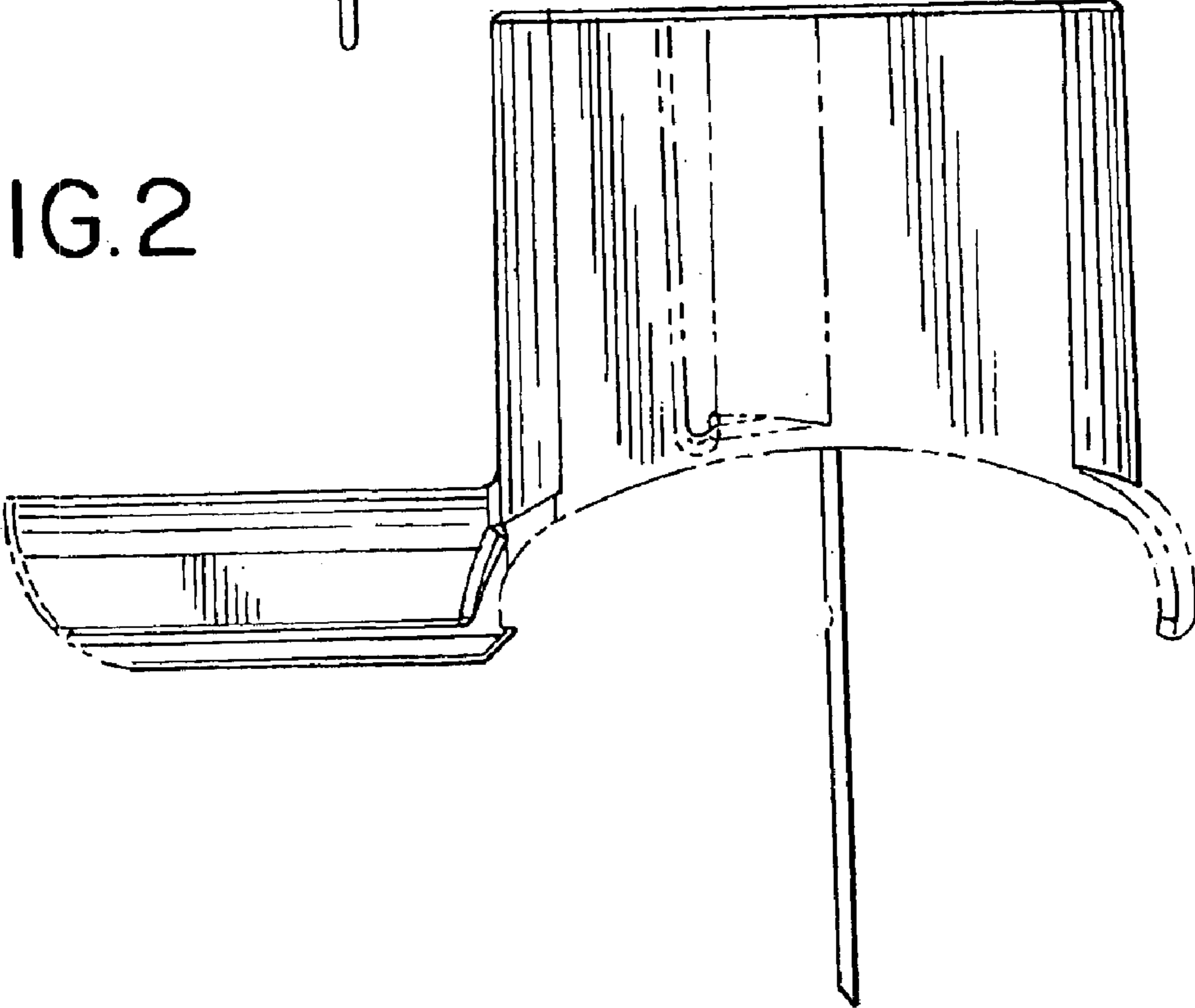


FIG.3

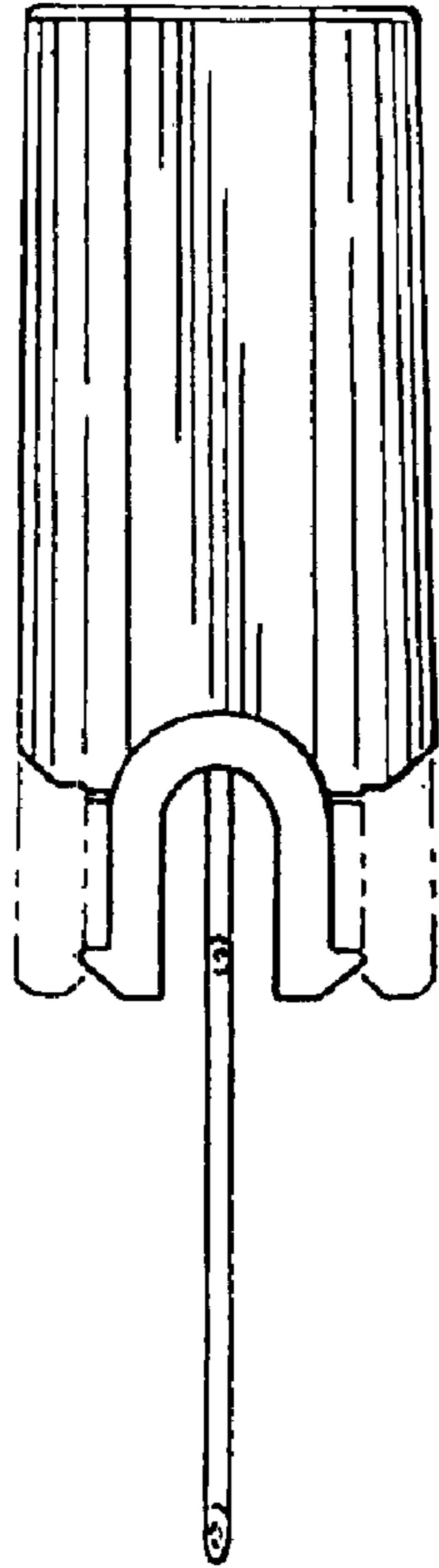


FIG.4

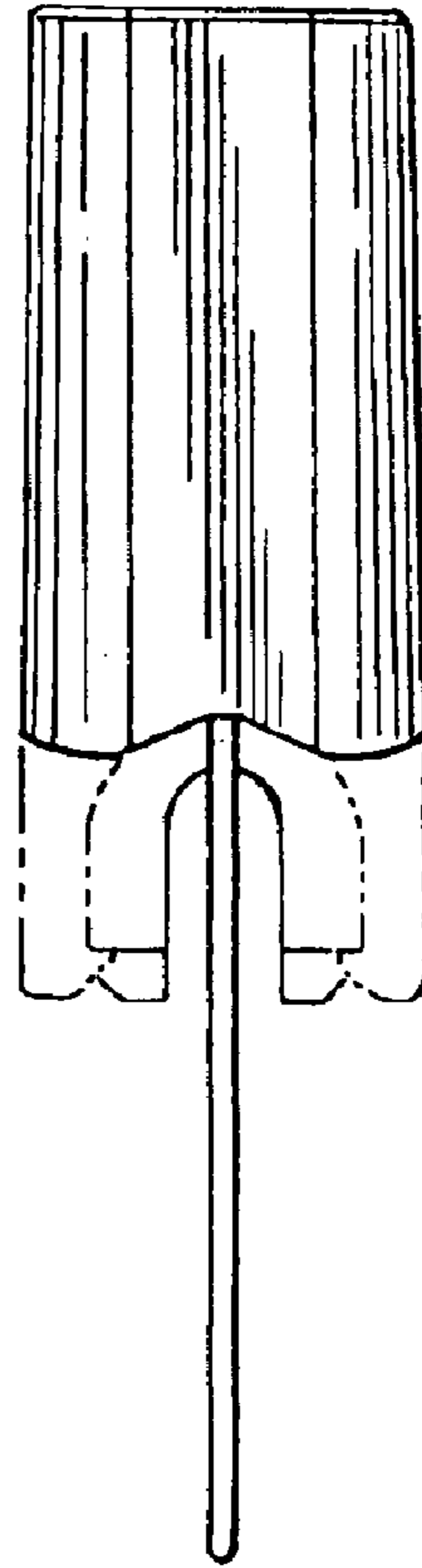


FIG.5

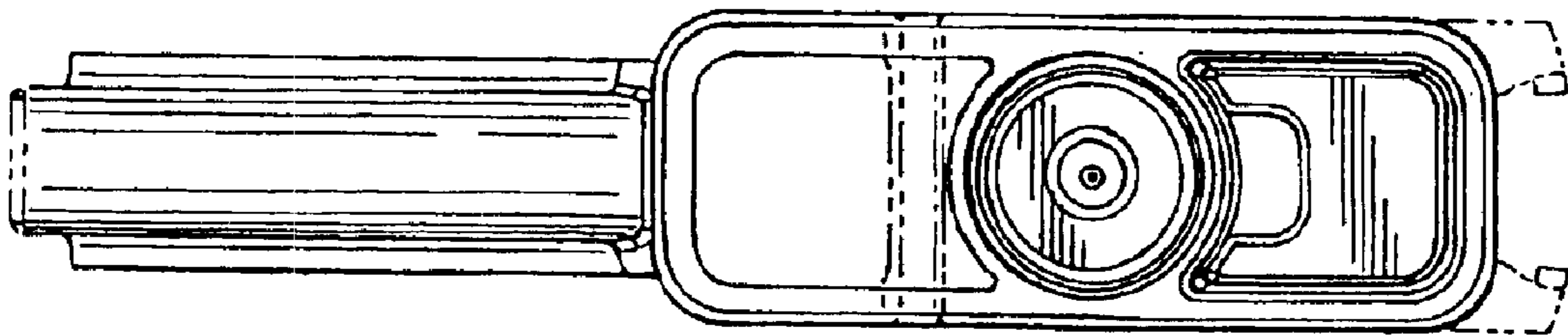


FIG.6

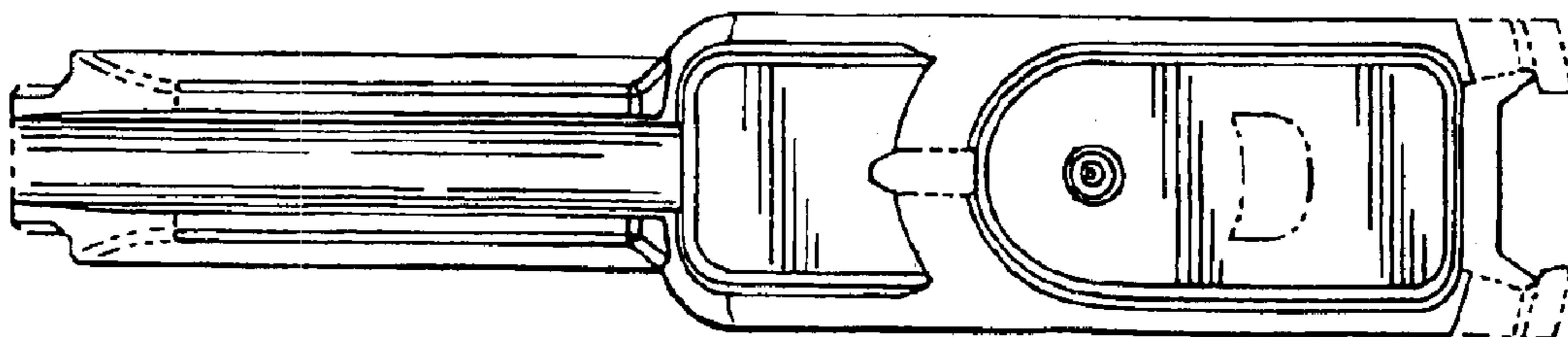


FIG. 7

