



US00D526407S

(12) **United States Design Patent**
Pickett

(10) **Patent No.:** **US D526,407 S**

(45) **Date of Patent:** **** Aug. 8, 2006**

(54) **CEILING FAN HOUSING**

(76) **Inventor:** **Mark Pickett**, 1419 E. Palm St.,
Altadena, CA (US) 91001

(**) **Term:** **14 Years**

(21) **Appl. No.:** **29/245,922**

(22) **Filed:** **Dec. 30, 2005**

(51) **LOC (8) Cl.** **23-04**

(52) **U.S. Cl.** **D23/411**

(58) **Field of Classification Search** D23/411,
D23/377, 379, 385, 413; 416/5

See application file for complete search history.

(56) **References Cited**

U.S. PATENT DOCUMENTS

D366,111 S	*	1/1996	DiPasquale	D23/411
D440,647 S	*	4/2001	Lee	D23/377
D485,347 S	*	1/2004	Bucher et al.	D23/377

* cited by examiner

Primary Examiner—Lisa Lichtenstein

(74) *Attorney, Agent, or Firm*—Parsons & Goltry; Michael
W. Goltry; Robert A. Parsons

(57) **CLAIM**

The ornamental design for a ceiling fan housing, as shown
and described.

DESCRIPTION

FIG. 1 is a top perspective view of a ceiling fan housing
showing my new design;

FIG. 2 is a bottom perspective view thereof;

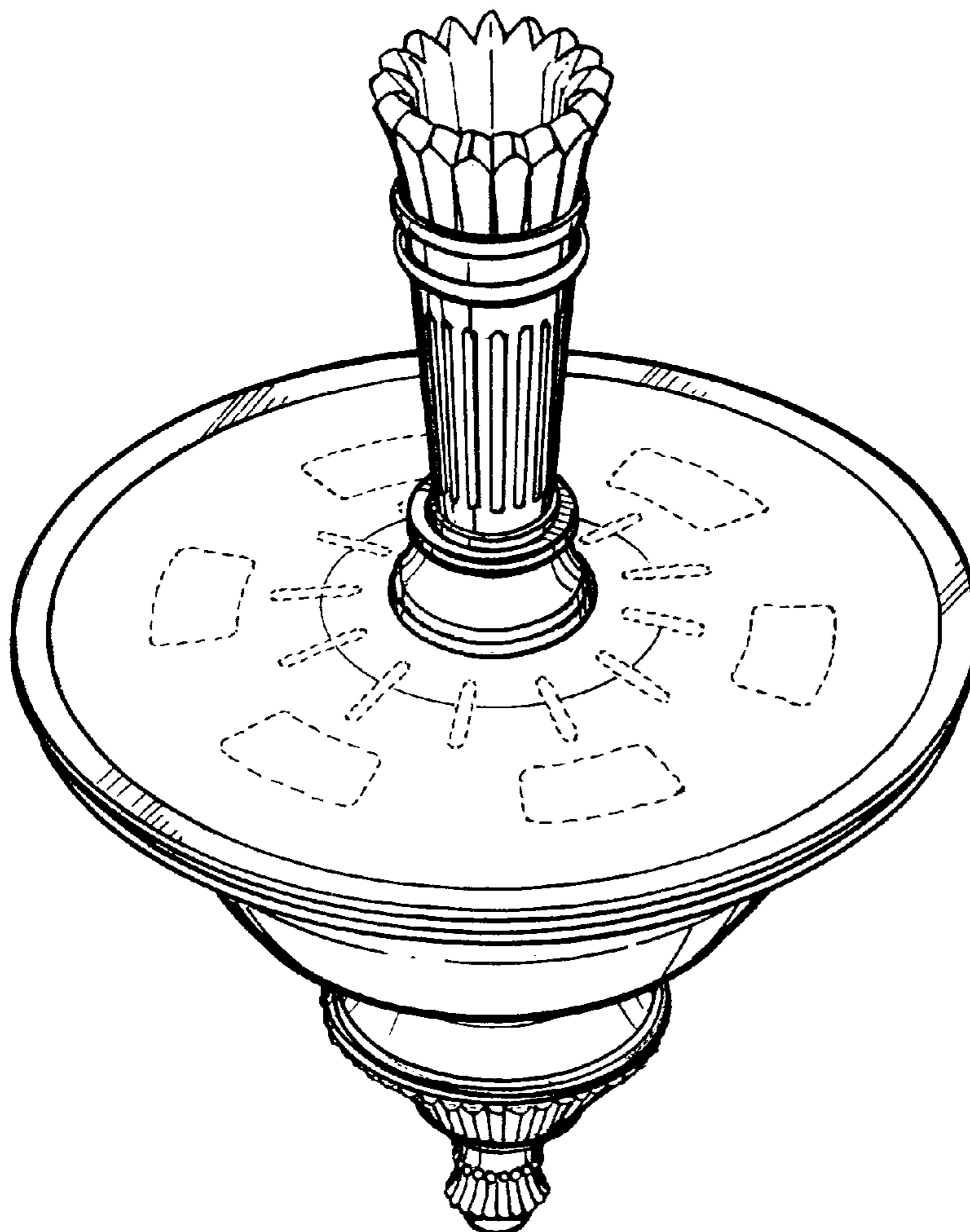
FIG. 3 is a top plan view thereof;

FIG. 4 is a bottom plan view thereof;

FIG. 5 is front elevational view thereof, the opposing rear
elevational view being substantially the same thereof; and,
FIG. 6 is a left side elevational view thereof, the opposing
right side elevational view being substantially the same
thereof.

The broken lines in the views show environmental features,
which are for illustrative purposes only and form no part of
the claimed design.

1 Claim, 6 Drawing Sheets



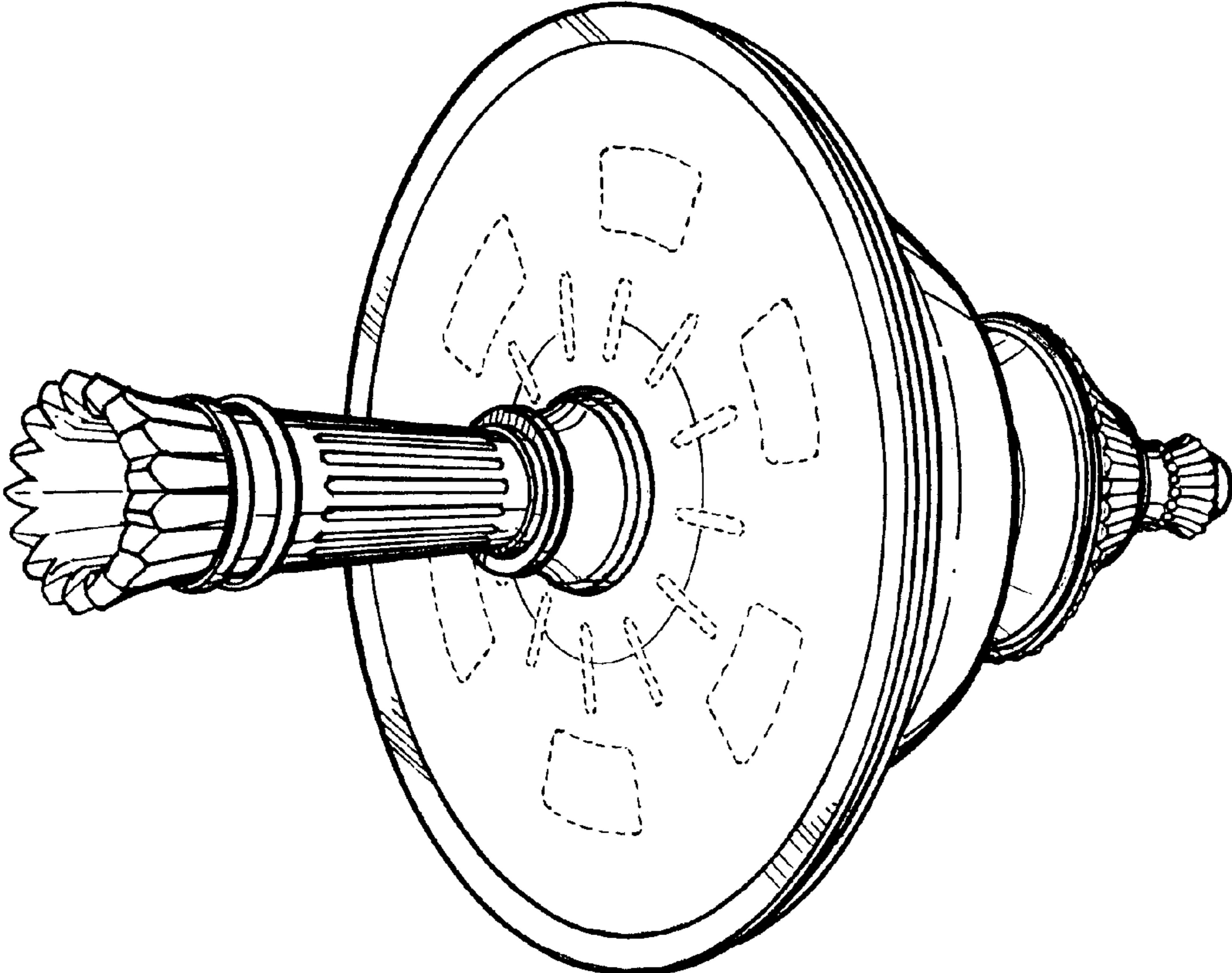


FIGURE 1

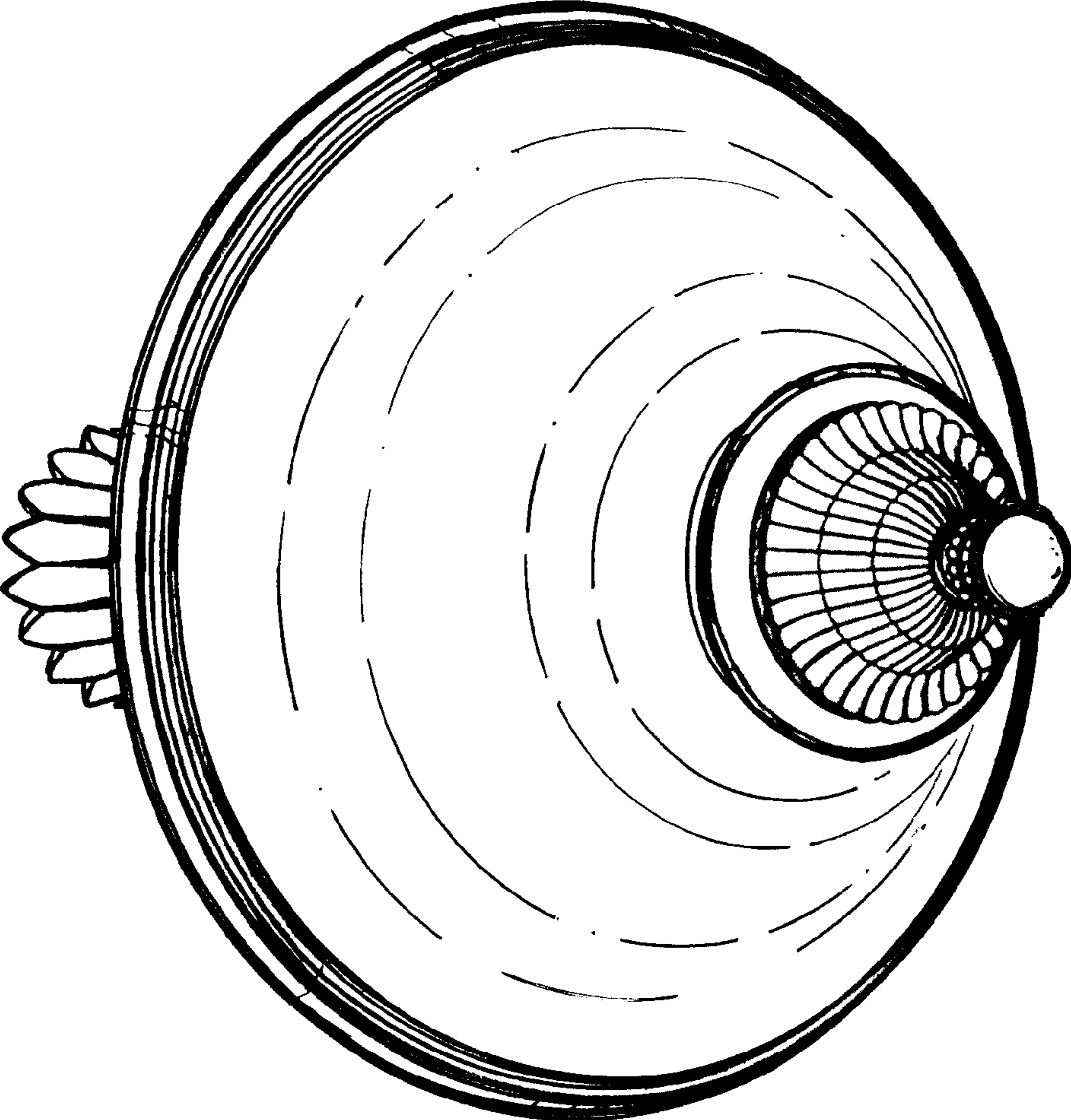


FIGURE 2

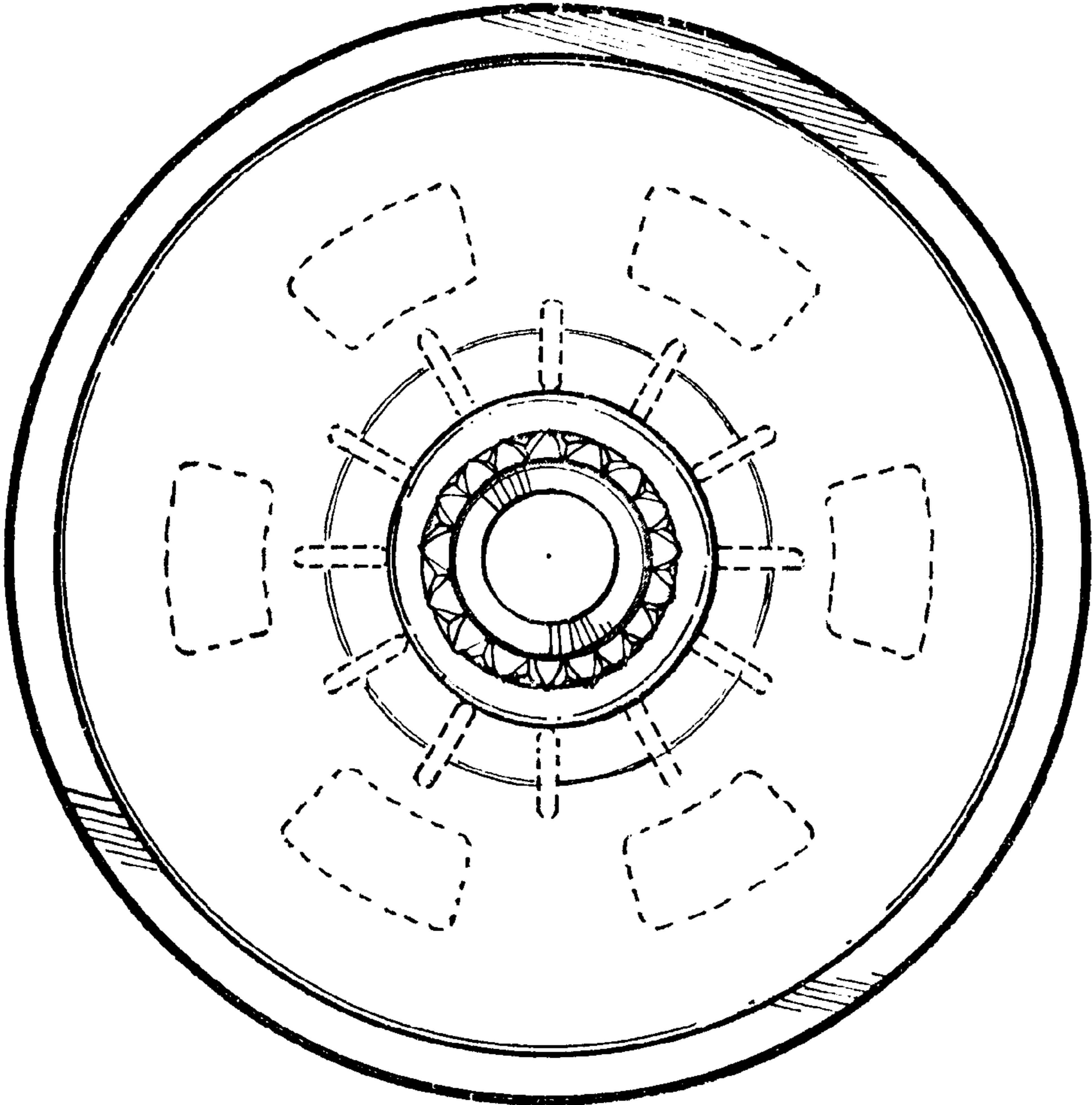


FIGURE 3

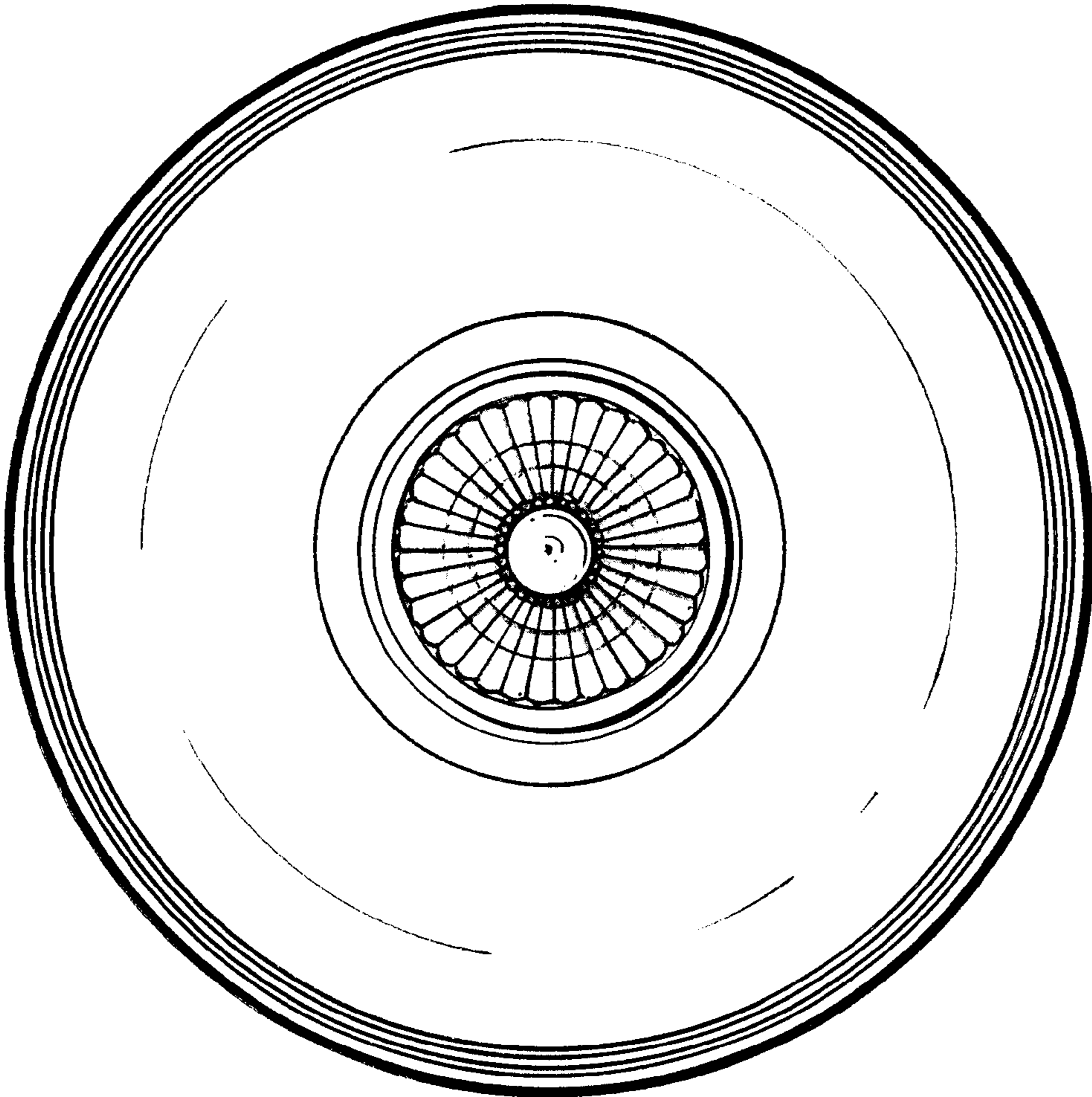


FIGURE 4

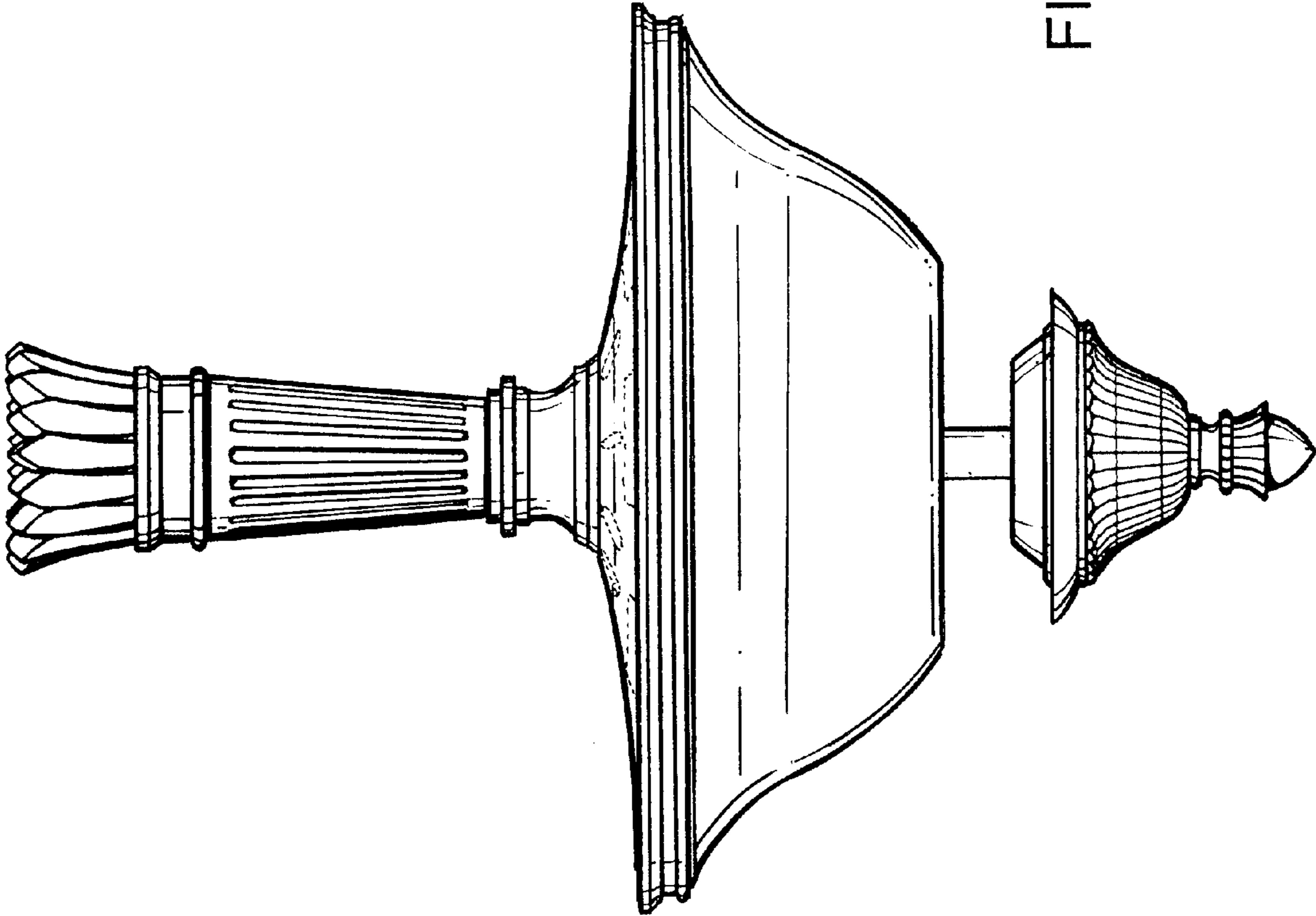


FIGURE 5

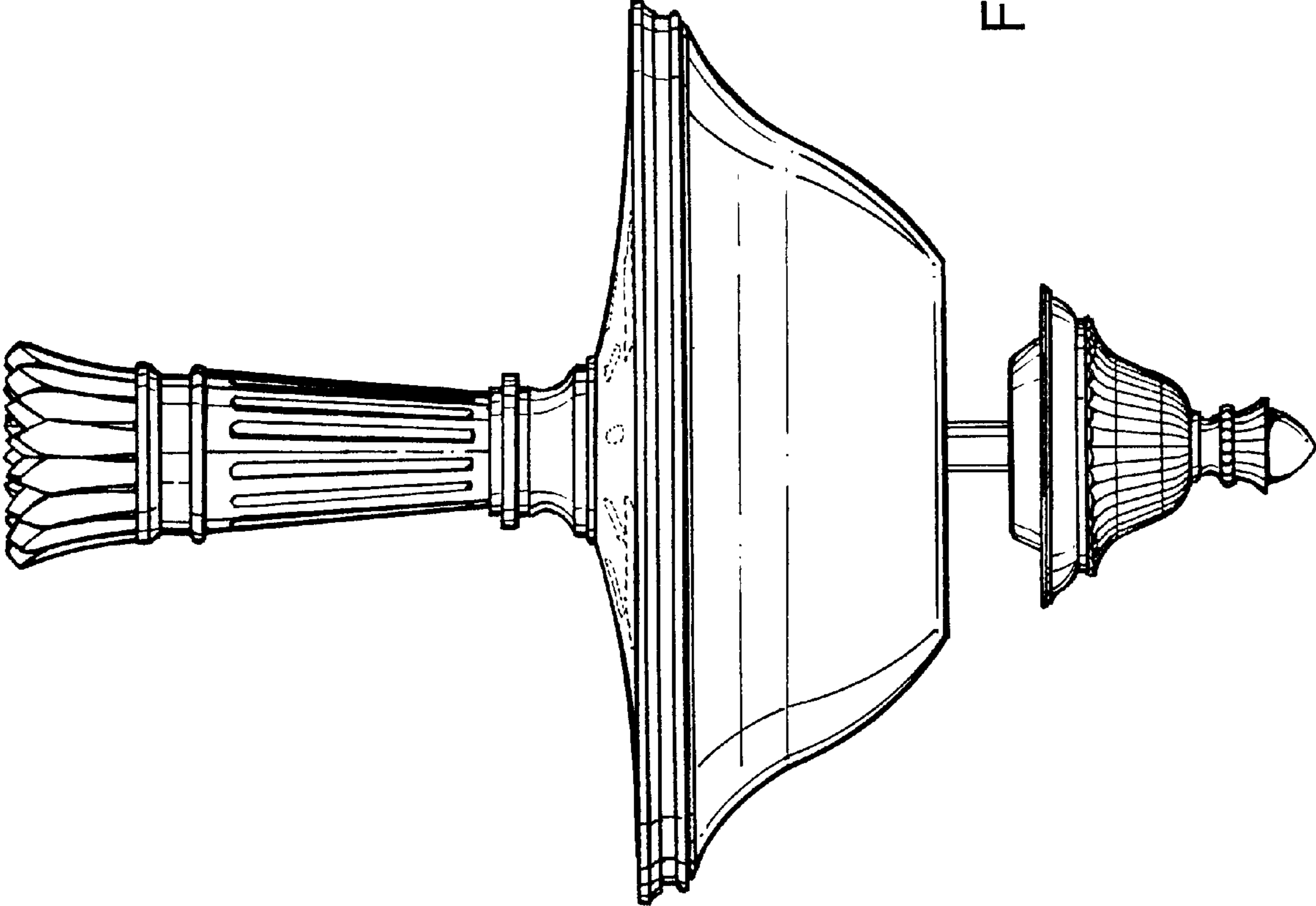


FIGURE 6