



US00D526406S

(12) **United States Design Patent**
Hidalgo

(10) **Patent No.:** **US D526,406 S**

(45) **Date of Patent:** **** Aug. 8, 2006**

(54) **CEILING FAN**

(75) Inventor: **Rolando Hidalgo**, Orange, CA (US)

(73) Assignee: **Minka Lighting, Inc.**, Corona, CA (US)

(**) Term: **14 Years**

(21) Appl. No.: **29/235,878**

(22) Filed: **Aug. 8, 2005**

(51) **LOC (8) Cl.** **23-04**

(52) **U.S. Cl.** **D23/411**

(58) **Field of Classification Search** D23/411,
D23/413, 377, 379, 385; 416/5
See application file for complete search history.

(56) **References Cited**

U.S. PATENT DOCUMENTS

D362,907 S * 10/1995 DiPasquale D23/411
D503,795 S * 4/2005 Tai D23/413

OTHER PUBLICATIONS

Fanimation Internet Catalog; Belize; Model # FP2920AR; printed from www.fanshack.com on Apr. 27, 2005.
Casablanca Internet Catalog; Nouvelle; Model # 96U52T; printed from www.hansenwholesale.com on Apr. 27, 2005.

Hunter Internet Catalog; Pienza; Model # 28871; printed from www.fanshack.com on Jul. 7, 2005.

Minka Lighting, Inc.; MinkaAire 2005 catalog; Jan. 2005; p. 16; Minka Lighting, Inc.; U.S.A.

* cited by examiner

Primary Examiner—Lisa Lichtenstein

(74) *Attorney, Agent, or Firm*—Baker & McKenzie LLP

(57) **CLAIM**

The ornamental design for a ceiling fan, as shown and described.

DESCRIPTION

FIG. 1 is a perspective view from below of a ceiling fan in accordance with my design;

FIG. 2 is a reduced top plan view of the ceiling fan in accordance with my design;

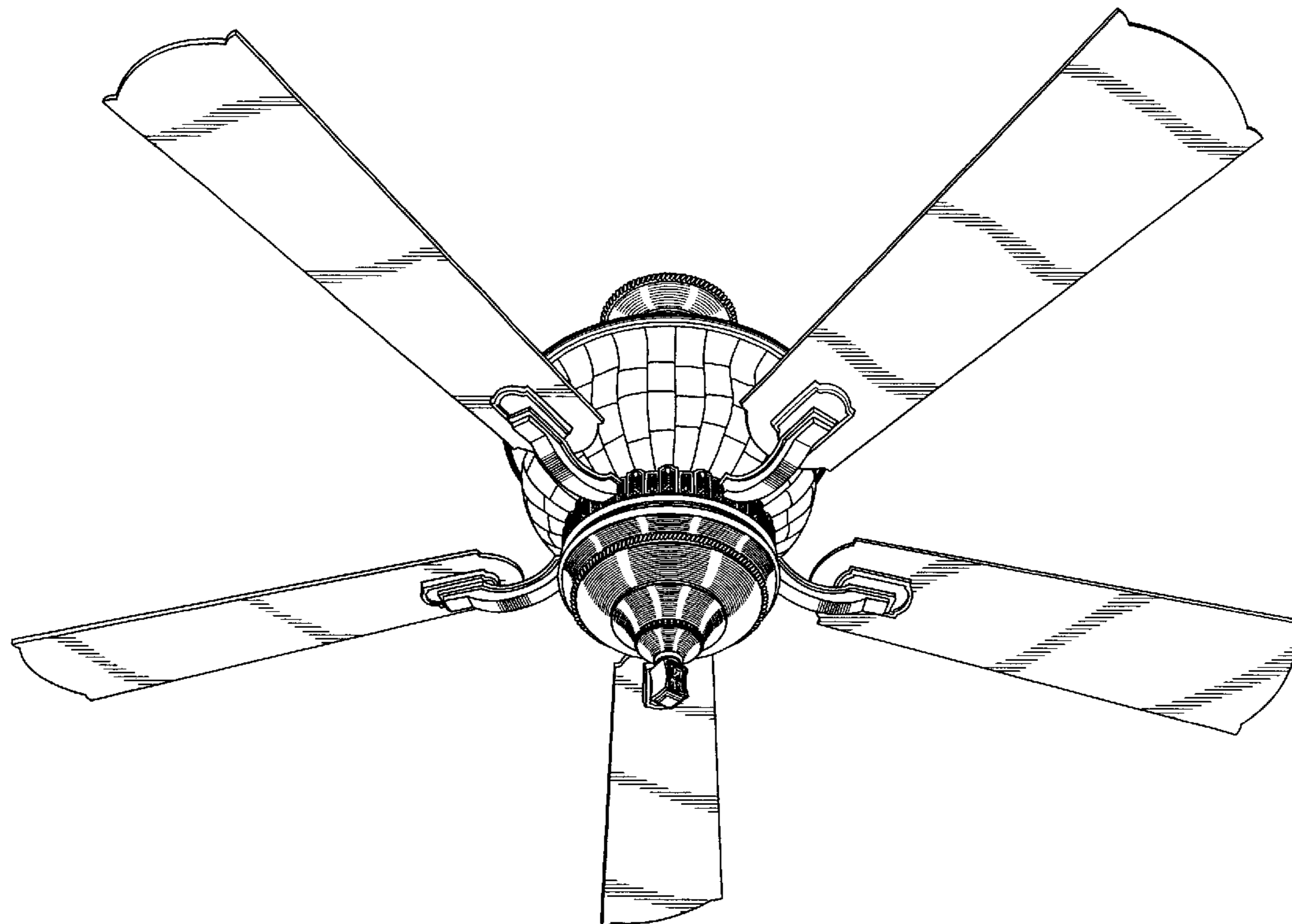
FIG. 3 is a reduced bottom plan view of the ceiling fan in accordance with my design;

FIG. 4 is a front elevation view of the ceiling fan in accordance with my design; and,

FIG. 5 is a side elevation view of the ceiling fan in accordance with my design, the opposite side being a mirror image of that shown.

FIGS. 4 and 5 are identical except for the positioning of the fan blades.

1 Claim, 5 Drawing Sheets



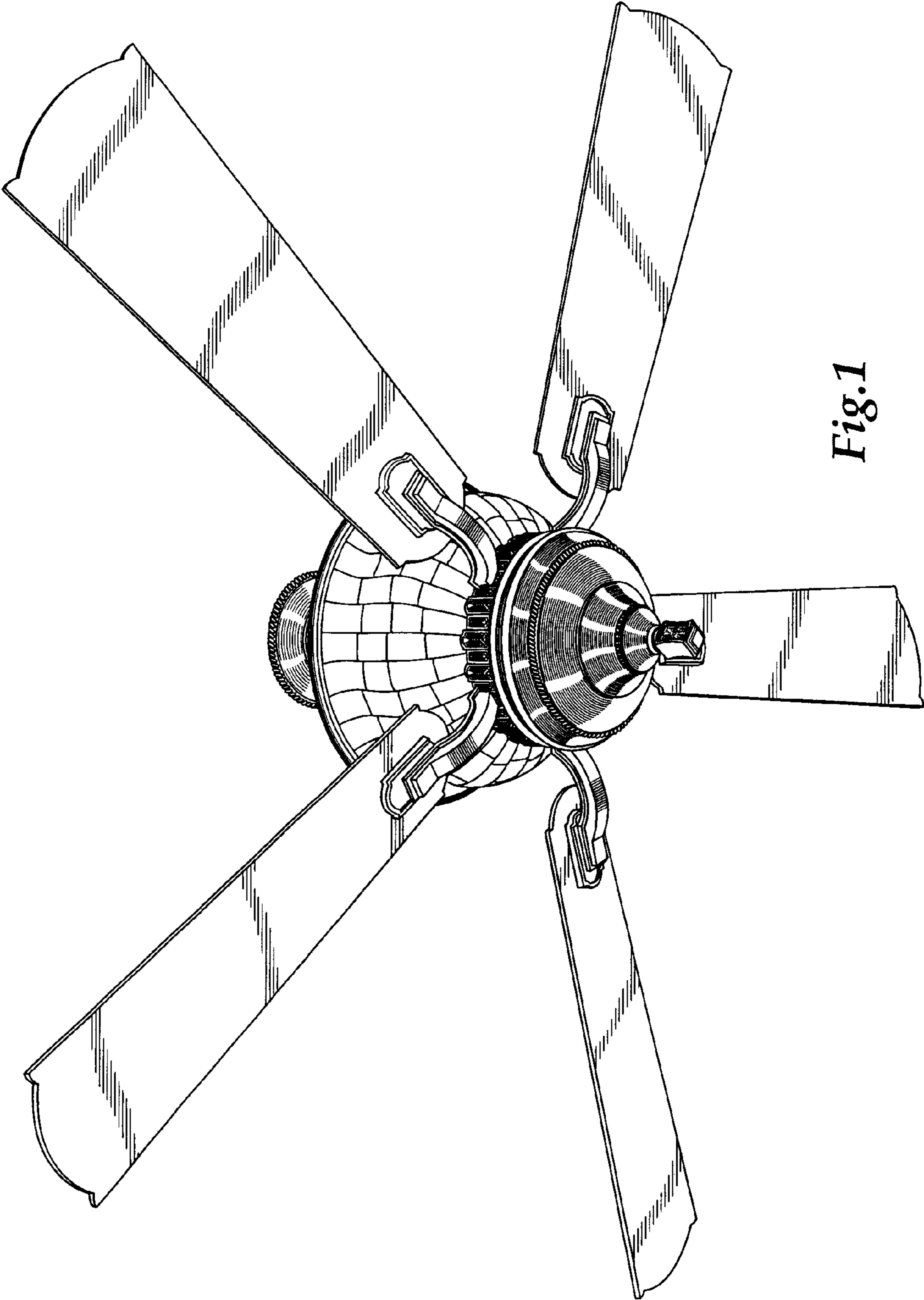


Fig.1

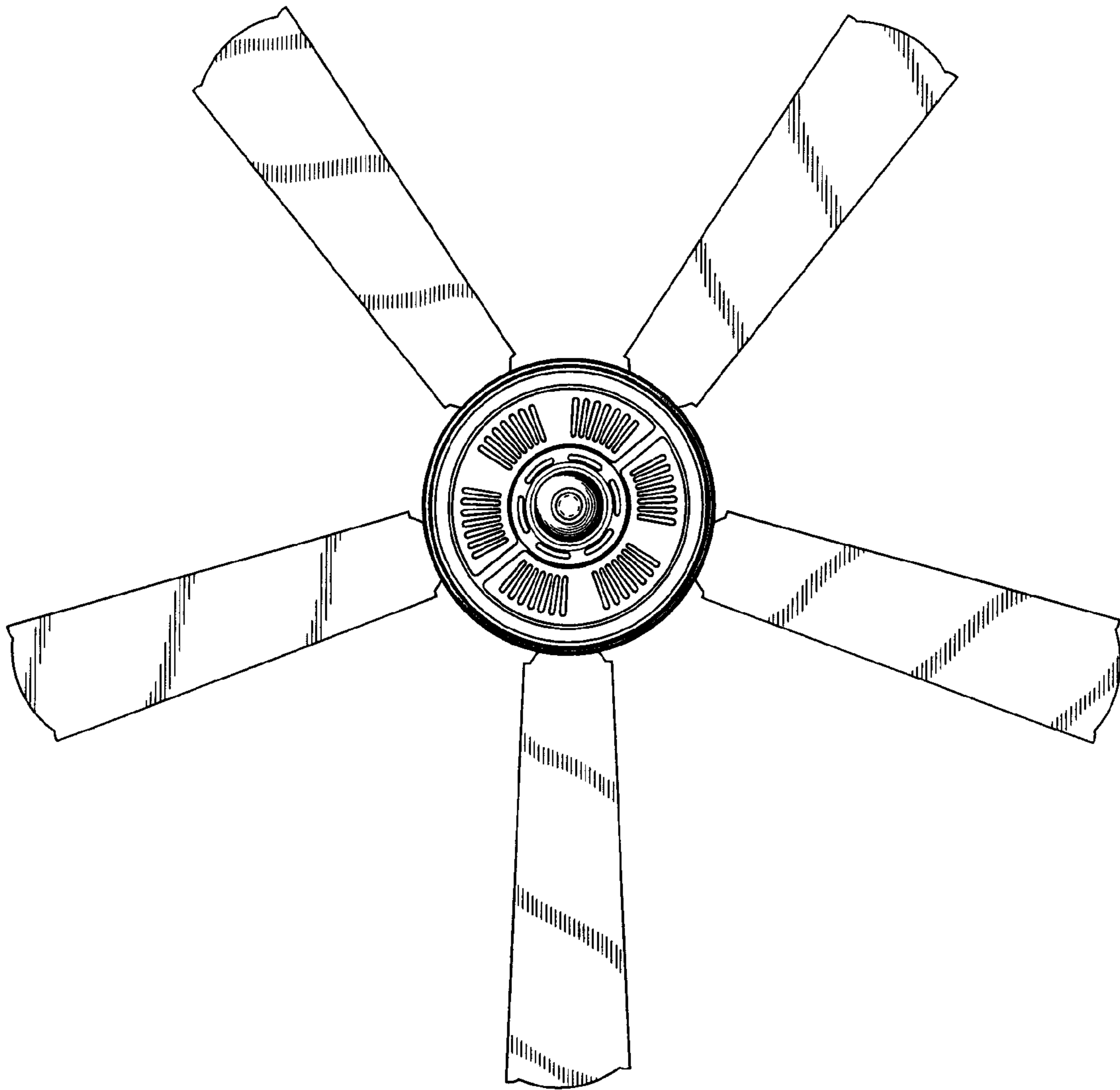


Fig.2

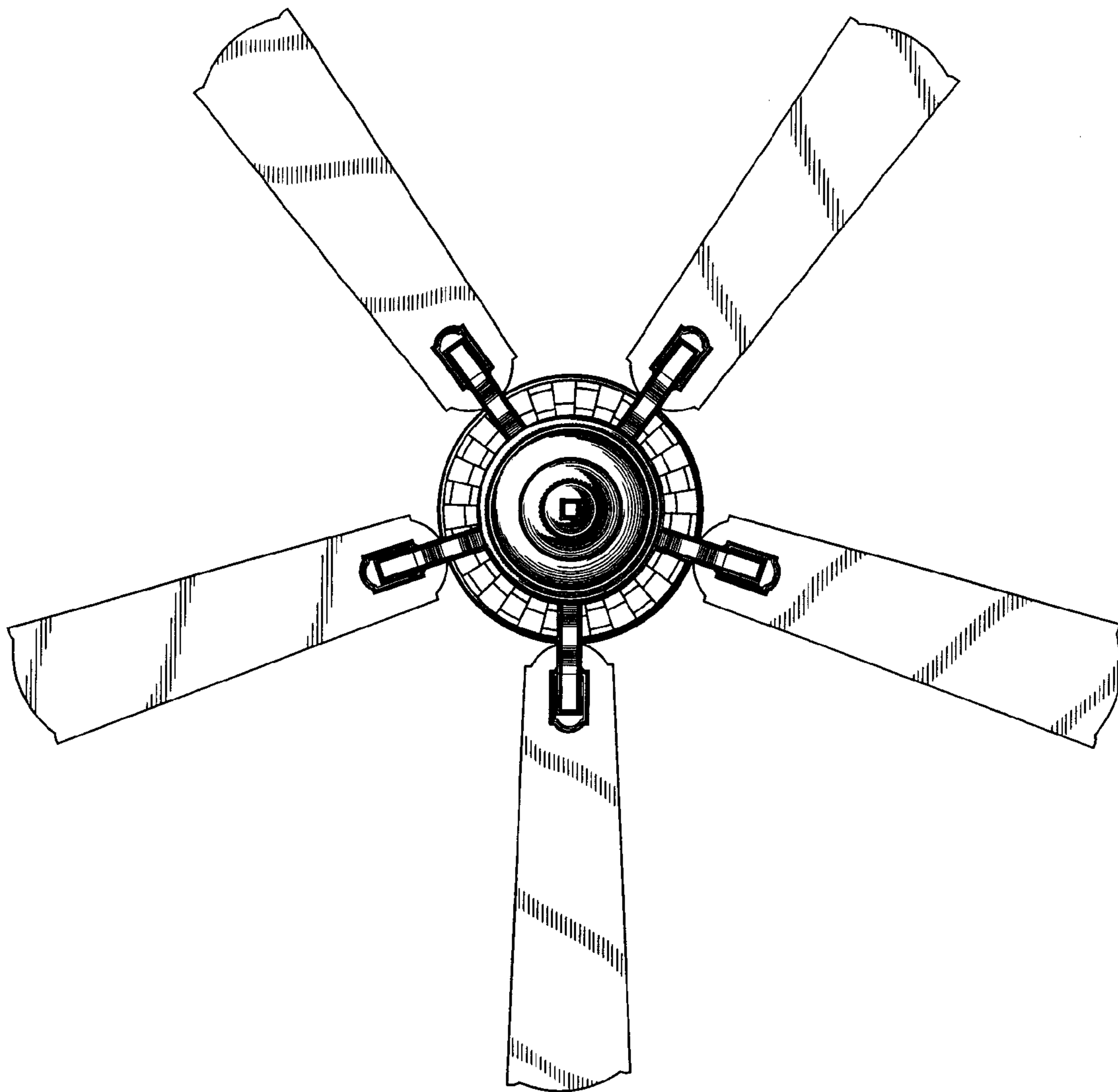


Fig.3

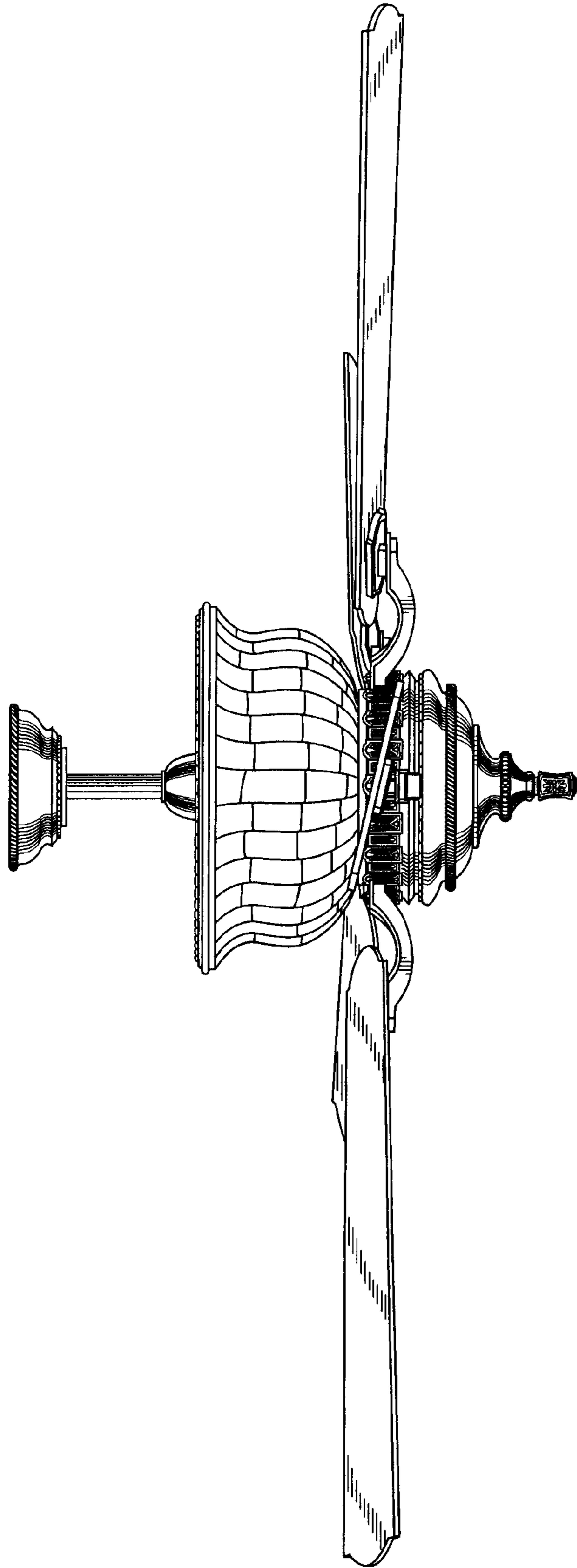


Fig.4

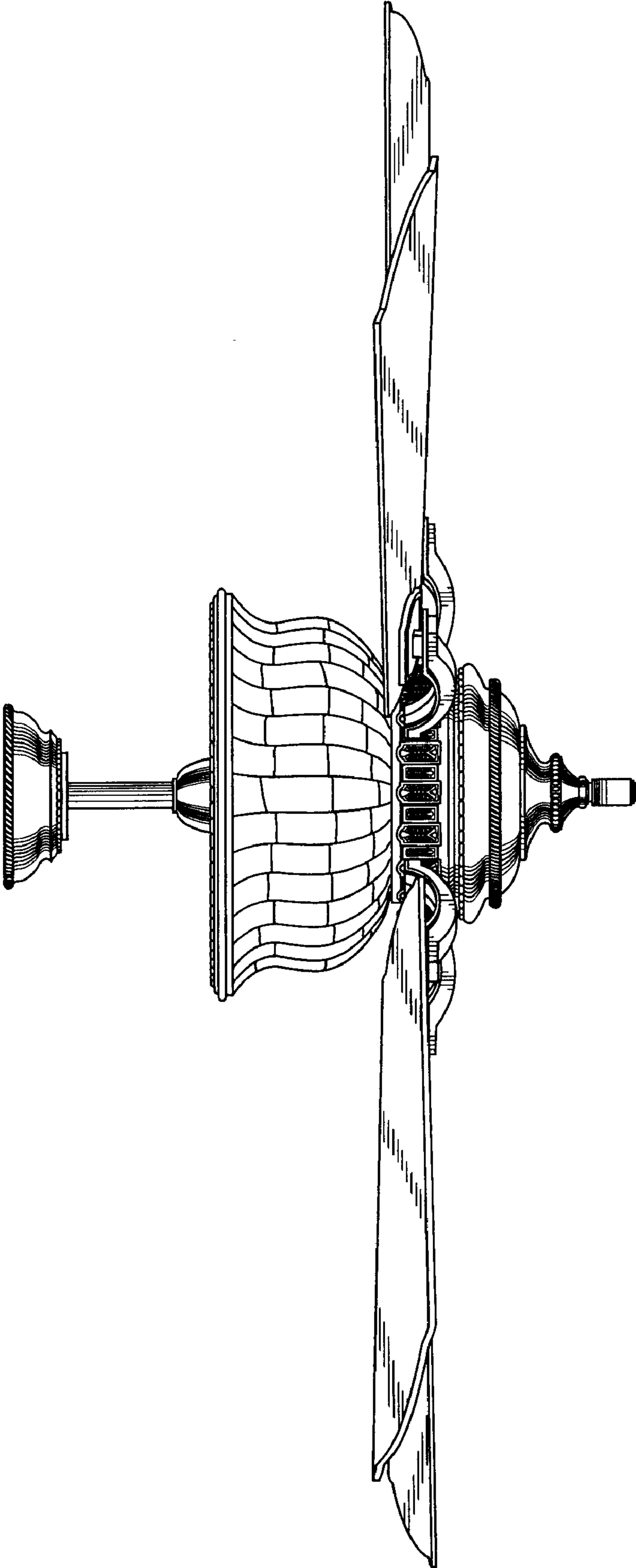


Fig. 5