

US00D526401S

(12) **United States Design Patent**  
**Hidalgo**

(10) **Patent No.:** **US D526,401 S**

(45) **Date of Patent:** **\*\* Aug. 8, 2006**

(54) **COMBINATION CEILING FAN AND LIGHT FIXTURE**

Minka Lighting, Inc.; MinkaAire 2005 catalog; January 2005; p. 16; Minka Lighting, Inc.; U.S.A.

(75) Inventor: **Rolando Hidalgo**, Orange, CA (US)

\* cited by examiner

(73) Assignee: **Minka Lighting, Inc.**, Corona, CA (US)

*Primary Examiner*—Lisa Lichtenstein  
(74) *Attorney, Agent, or Firm*—Baker & McKenzie LLP

(\*\*) Term: **14 Years**

(57) **CLAIM**

(21) Appl. No.: **29/235,879**

The ornamental design for a combination ceiling fan and light fixture, as shown and described.

(22) Filed: **Aug. 8, 2005**

**DESCRIPTION**

(51) **LOC (8) Cl.** ..... **23-04**

(52) **U.S. Cl.** ..... **D23/377; 23/379; 26/59**

(58) **Field of Classification Search** ..... D23/411,  
D23/413, 377, 379, 385; 416/5; D26/59  
See application file for complete search history.

FIG. 1 is a perspective view from below of a combination ceiling fan and light fixture in accordance with my design; FIG. 2 is a reduced top plan view of the combination ceiling fan and light fixture in accordance with my design; FIG. 3 is a reduced bottom plan view of the combination ceiling fan and light fixture in accordance with my design; FIG. 4 is a front elevation view of the combination ceiling fan and light fixture in accordance with my design; and, FIG. 5 is a side elevation view of the combination ceiling fan and light fixture in accordance with my design, the opposite side being a mirror image of that shown.

(56) **References Cited**

**U.S. PATENT DOCUMENTS**

D362,907 S \* 10/1995 DiPasquale ..... D23/411  
D503,795 S \* 4/2005 Tai ..... D23/413

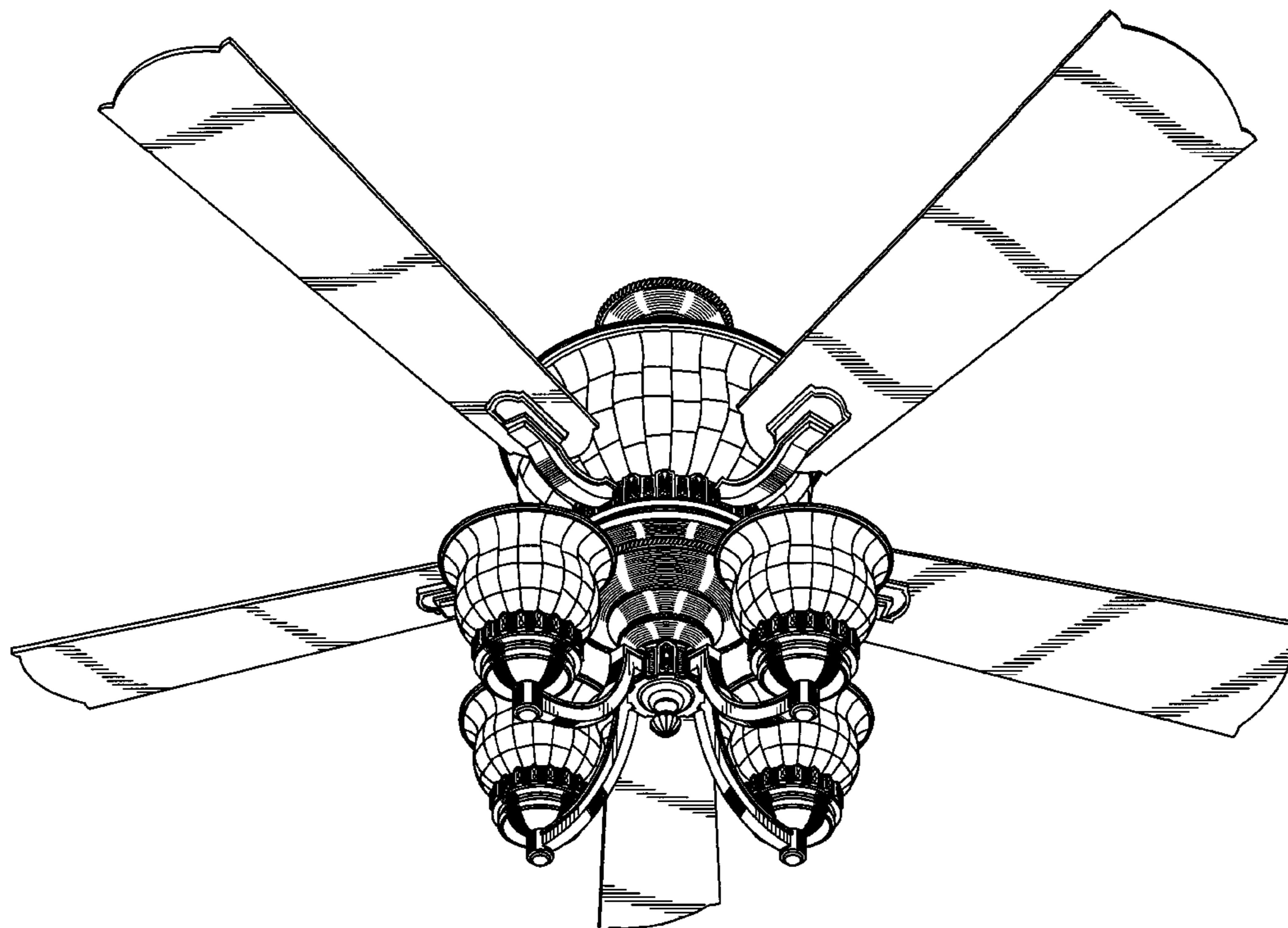
FIGS. 4 and 5 are identical except for the positioning of the fan blades.

**OTHER PUBLICATIONS**

Fanimation Internet Catalog; Belize; Model # FP2920AR; printed from www.fanshack.com on Apr. 27, 2005.  
Casablanca Internet Catalog; Nouvelle; Model # 96U52T; printed from www.hansenwholesale.com on Apr. 27, 2005.  
Hunter Internet Catalog; Pienza; Model # 28871; printed from www.fanshack.com on Jul. 7, 2005.

The broken line showing of environmental structure is for illustrative purposes only and forms no part of the claimed design.

**1 Claim, 5 Drawing Sheets**



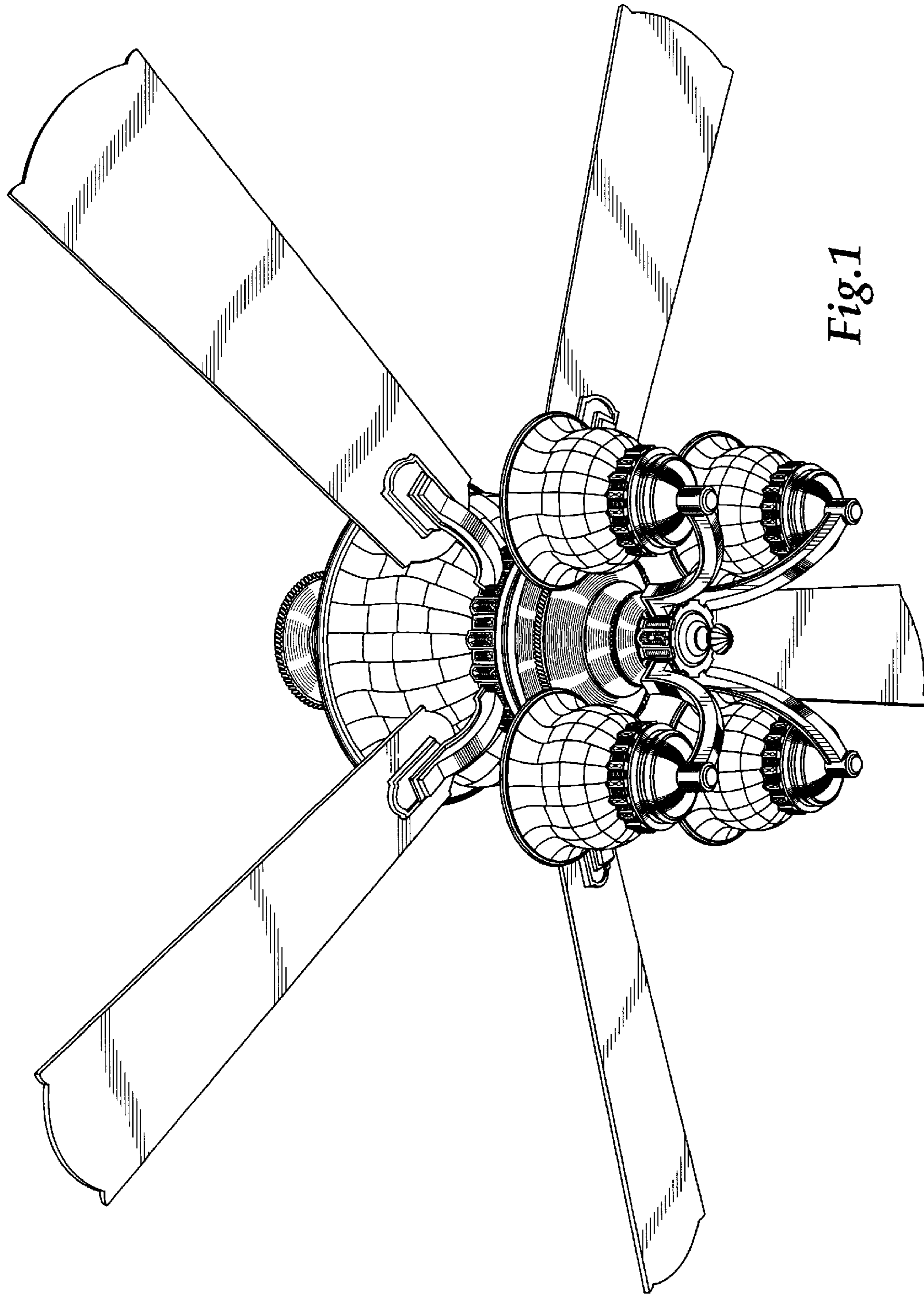
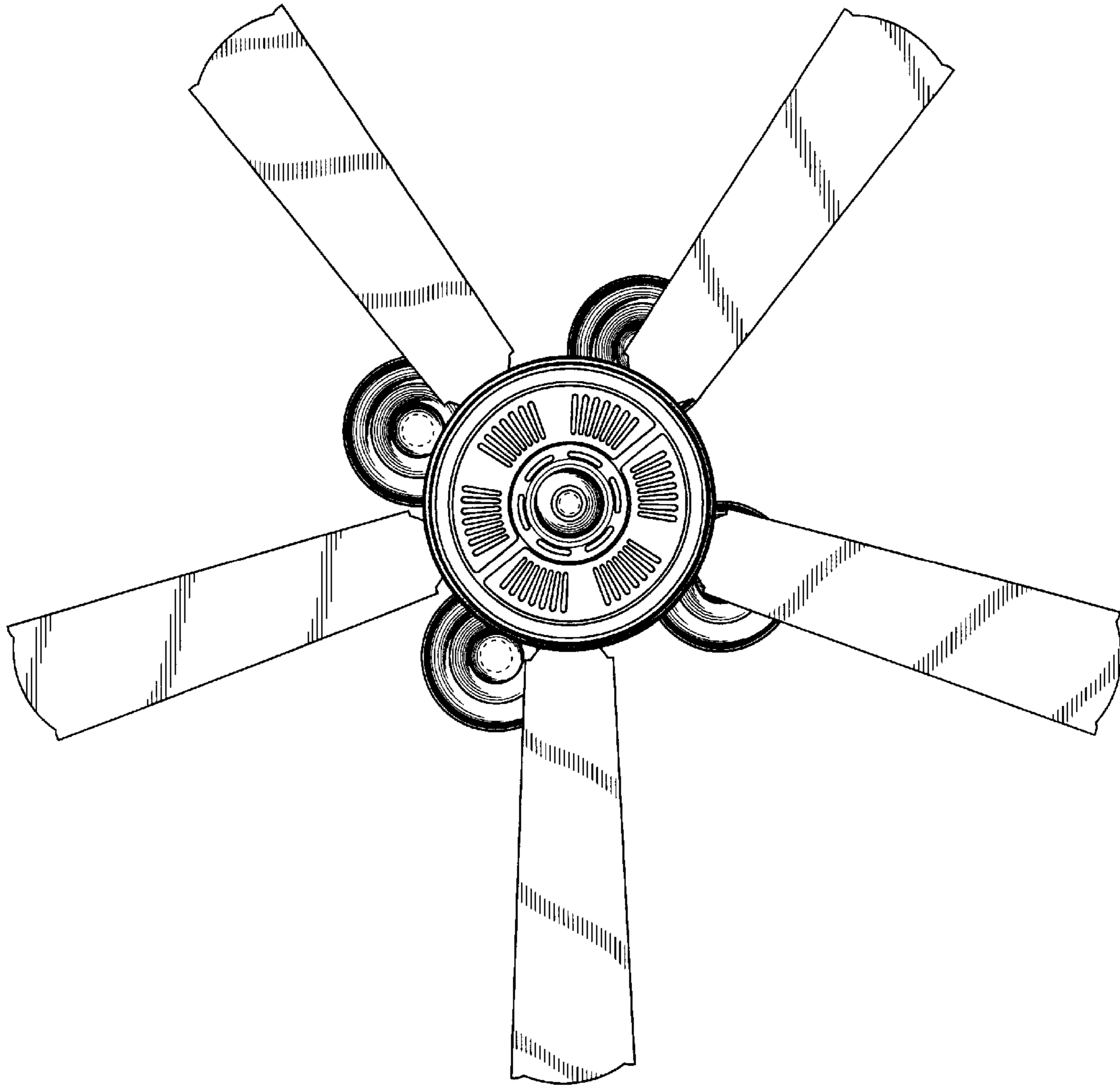
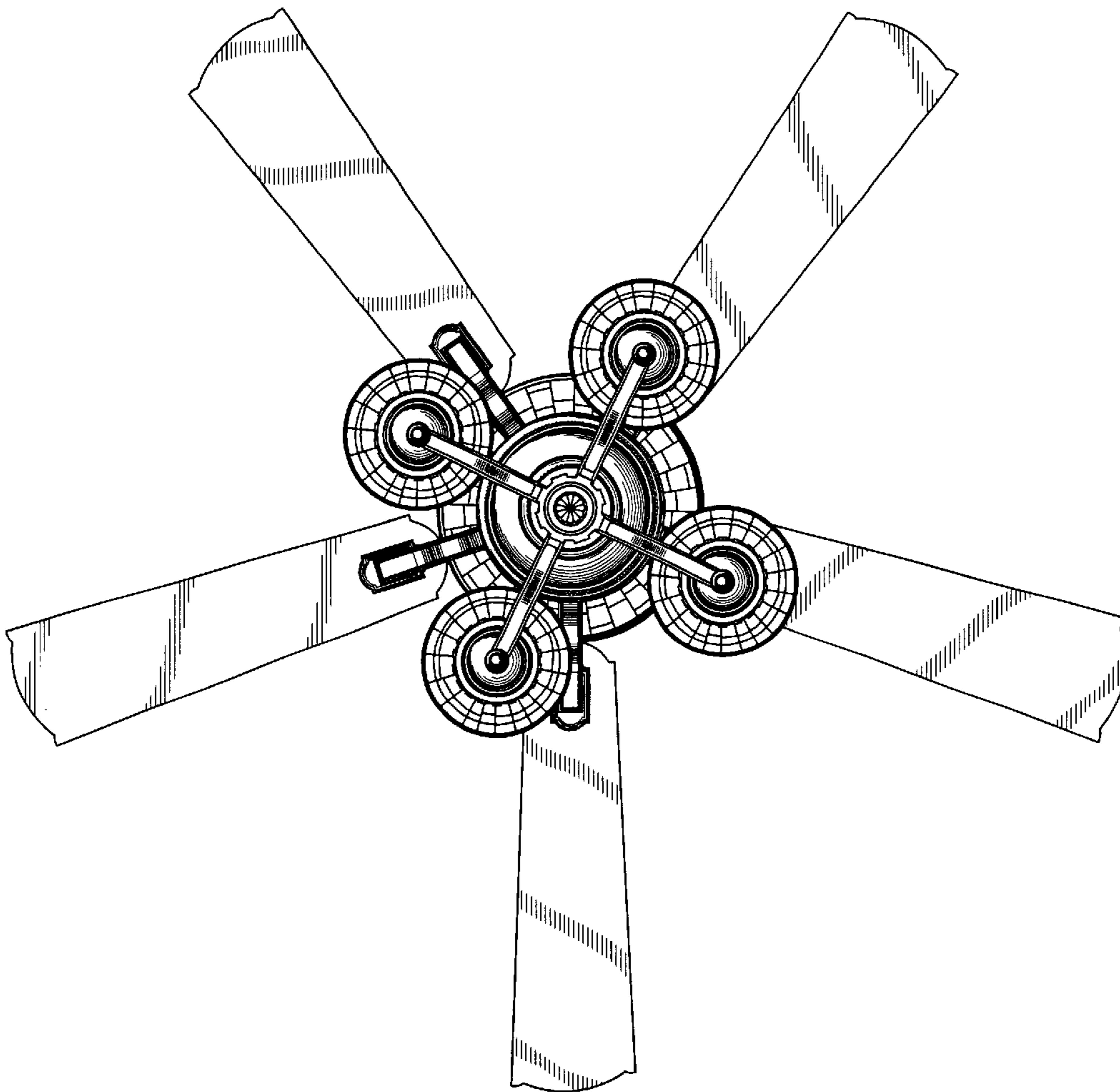


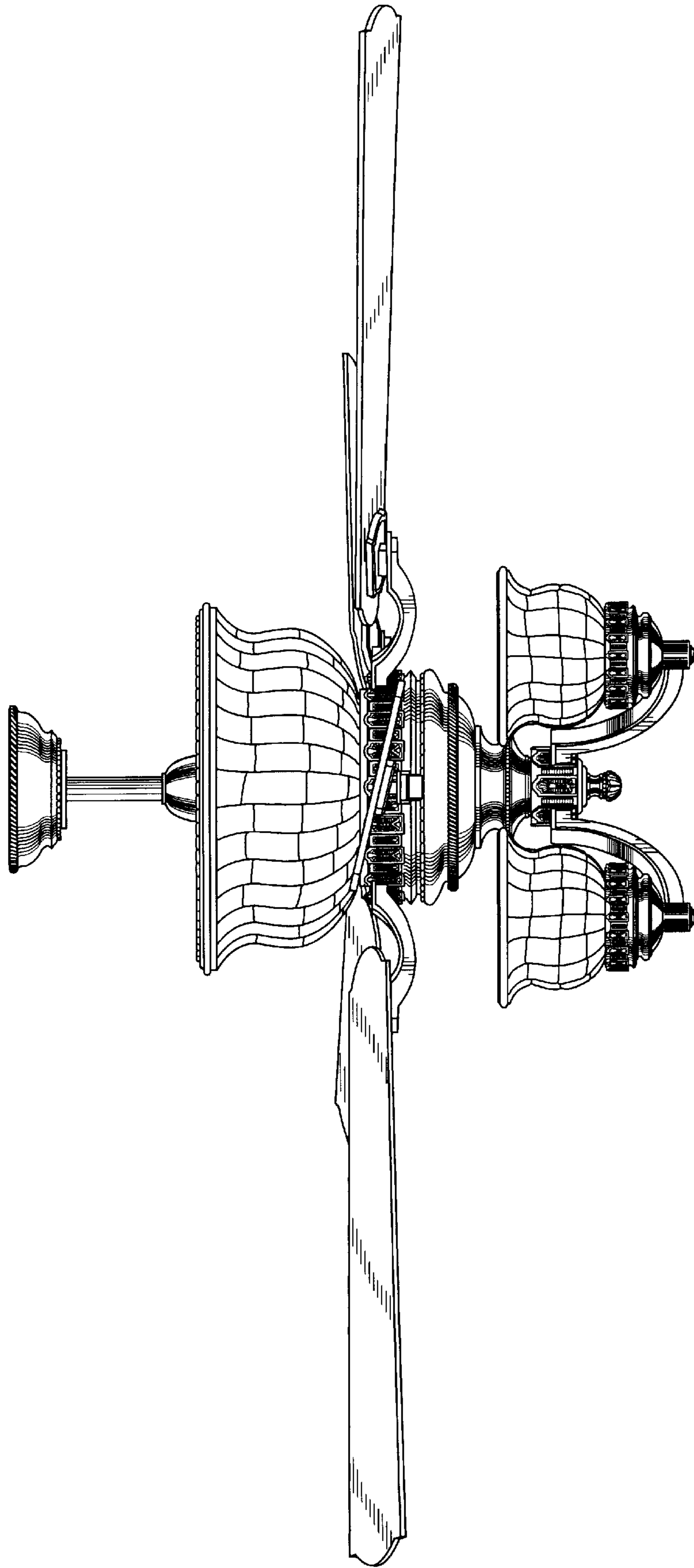
Fig. 1



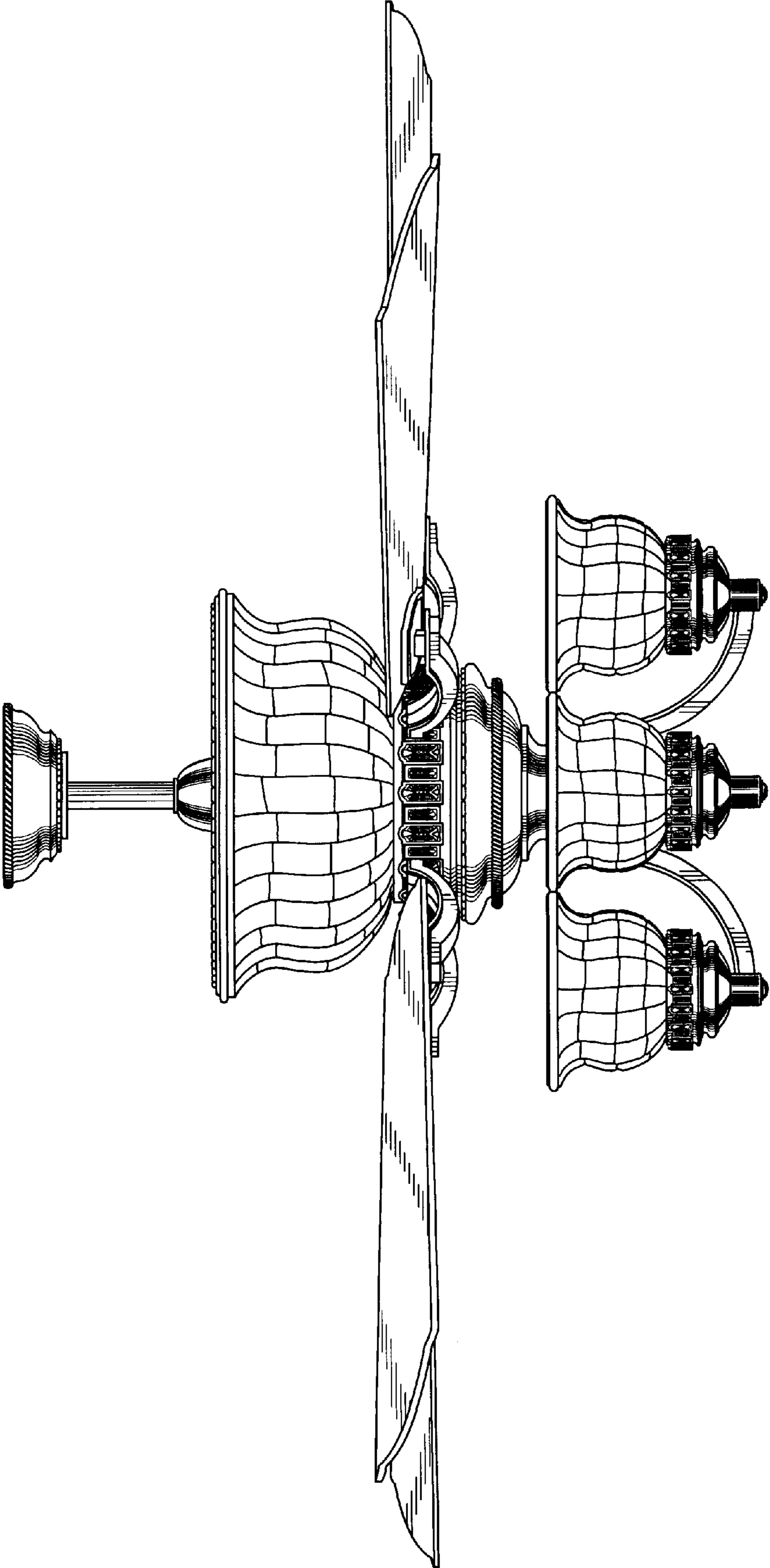
*Fig.2*



*Fig.3*



*Fig.4*



*Fig. 5*