



US00D526393S

(12) **United States Design Patent**
Blomstrom

(10) **Patent No.:** **US D526,393 S**

(45) **Date of Patent:** **** Aug. 8, 2006**

(54) **SINK**

(75) **Inventor:** **John K. Blomstrom**, Sheboygan Falls, WI (US)

(73) **Assignee:** **Kohler Co.**, Kohler, WI (US)

(**) **Term:** **14 Years**

(21) **Appl. No.:** **29/228,424**

(22) **Filed:** **Apr. 22, 2005**

(51) **LOC (8) Cl.** **23-02**

(52) **U.S. Cl.** **D23/290**

(58) **Field of Classification Search** D23/270-273,
D23/284-286, 292-293.1, 303, 290, 308;
4/662-666, 619, 637-642, 661
See application file for complete search history.

(56) **References Cited**

U.S. PATENT DOCUMENTS

- D352,771 S 11/1994 Walsh et al.
- D401,677 S 11/1998 Garza
- D464,127 S * 10/2002 Paredes et al. D23/290

OTHER PUBLICATIONS

Website print-out showing K-3371-3 Verse Self-rimming Kitchen Sink, 3-hole, Kohler.com, dated Dec. 2, 2004.

Catalog page from Sterling showing single-basin sink(new) #14711, double-basin sink #11401 and double-basin sink (new) #14707.

* cited by examiner

Primary Examiner—Robert A. Delehanty

(74) *Attorney, Agent, or Firm*—Quarles & Brady LLP

(57) **CLAIM**

The ornamental design for a sink, as shown and described.

DESCRIPTION

In a preferred embodiment, the nature of this product is as a plumbing fixture primarily useful for washing various objects.

FIG. 1 is a right, top, front perspective view of a sink according to my new design;

FIG. 2 is a top plan view thereof;

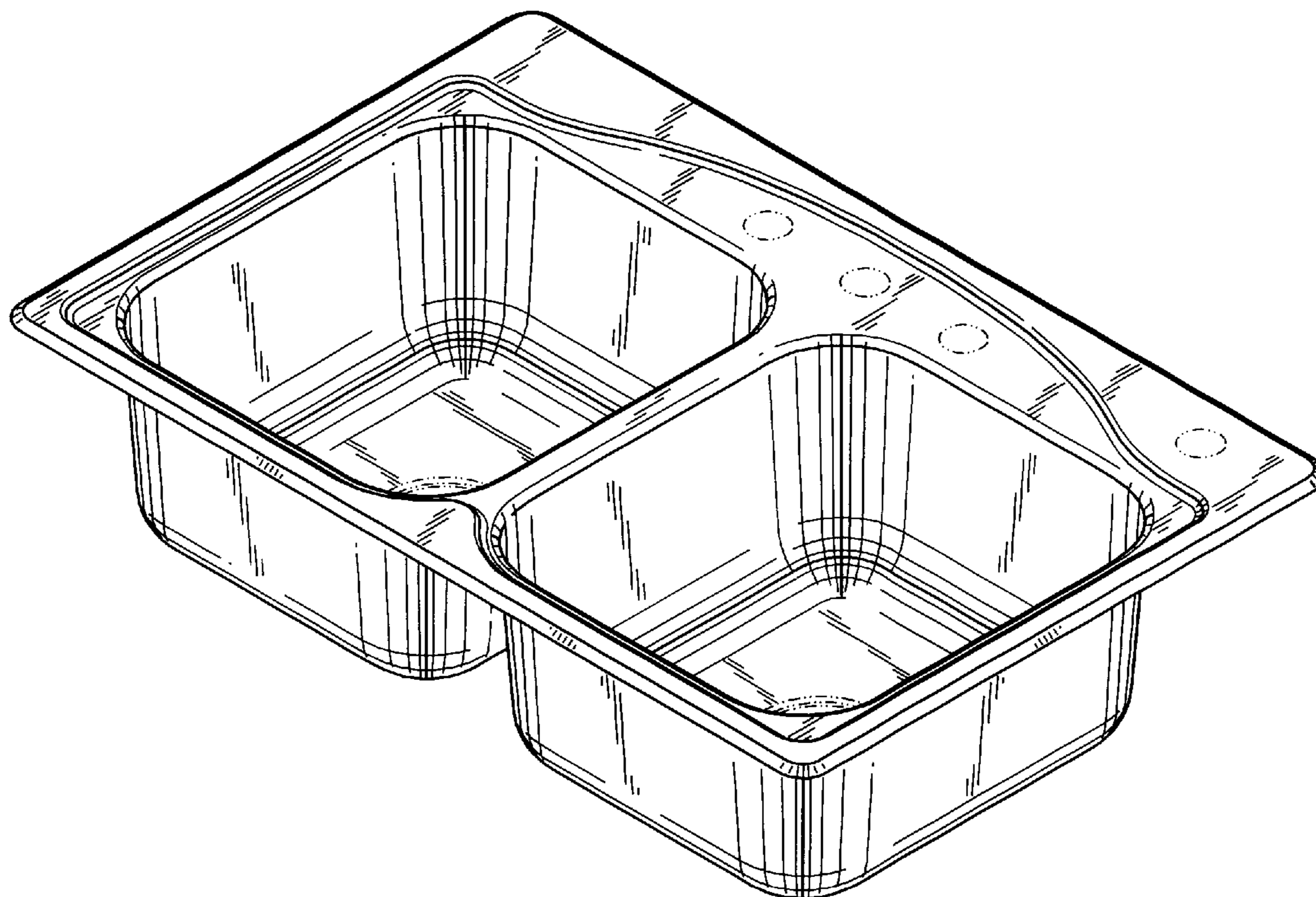
FIG. 3 is a front elevational view thereof, the rear elevational view thereof being a mirror image of the front elevational view shown;

FIG. 4 is a right side elevational view thereof, the left side elevational view being a mirror image of the right side shown; and,

FIG. 5 is a bottom plan view thereof.

The broken line representations of holes in FIGS. 1, 2 and 5, underside structure in FIG. 5, and of drains in the figures are for the purpose of illustration only, and form no part of the claimed design.

1 Claim, 3 Drawing Sheets



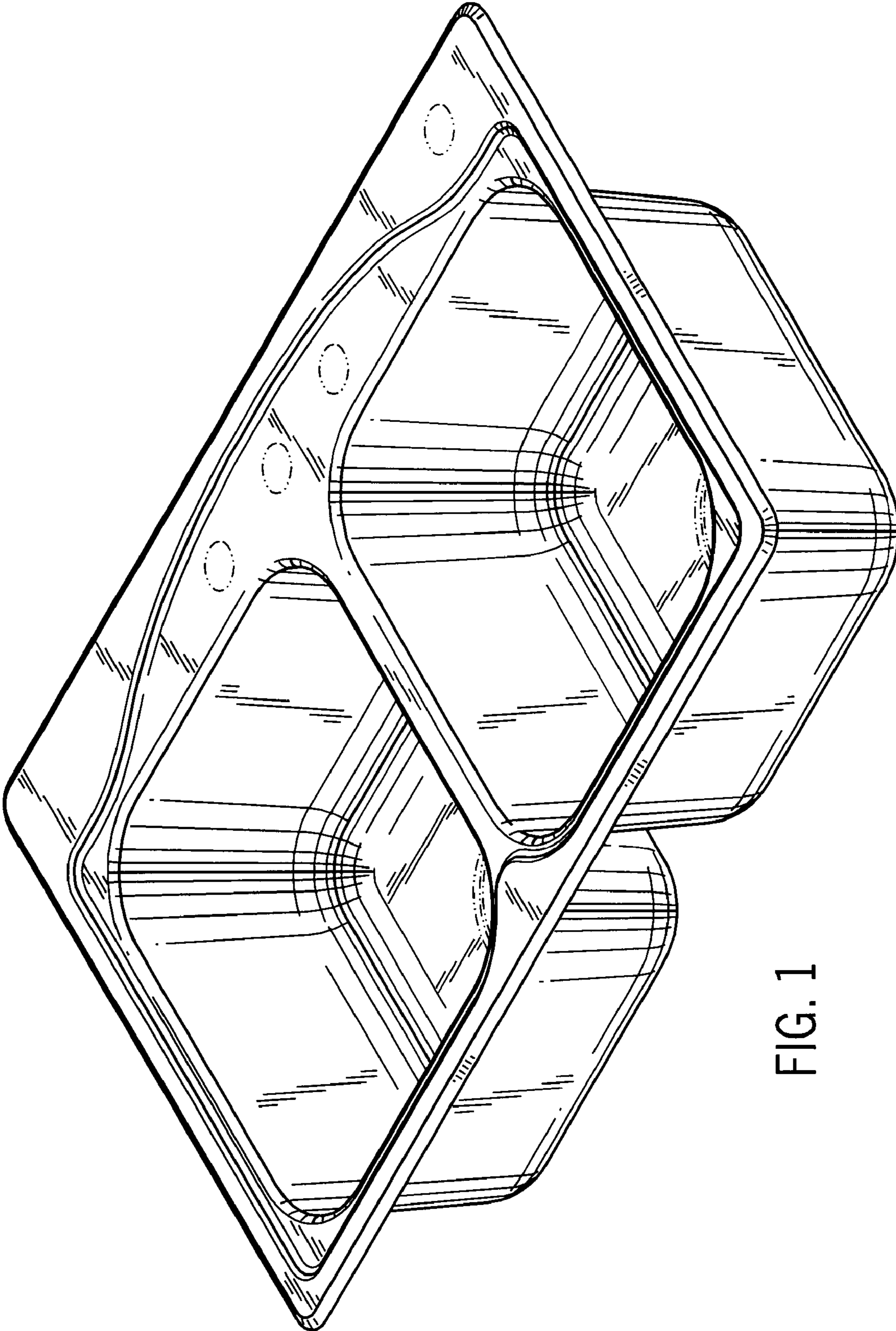


FIG. 1

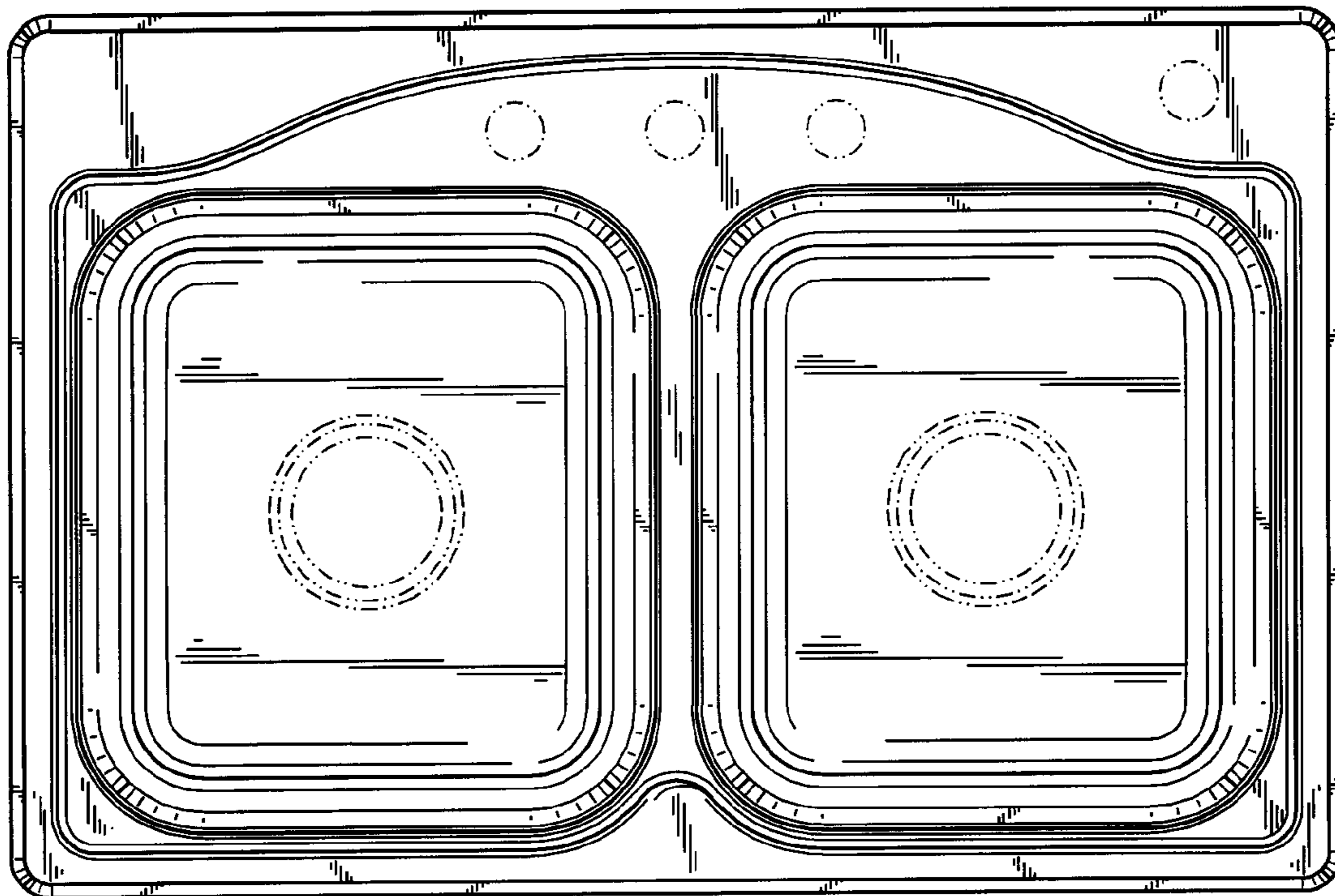


FIG. 2

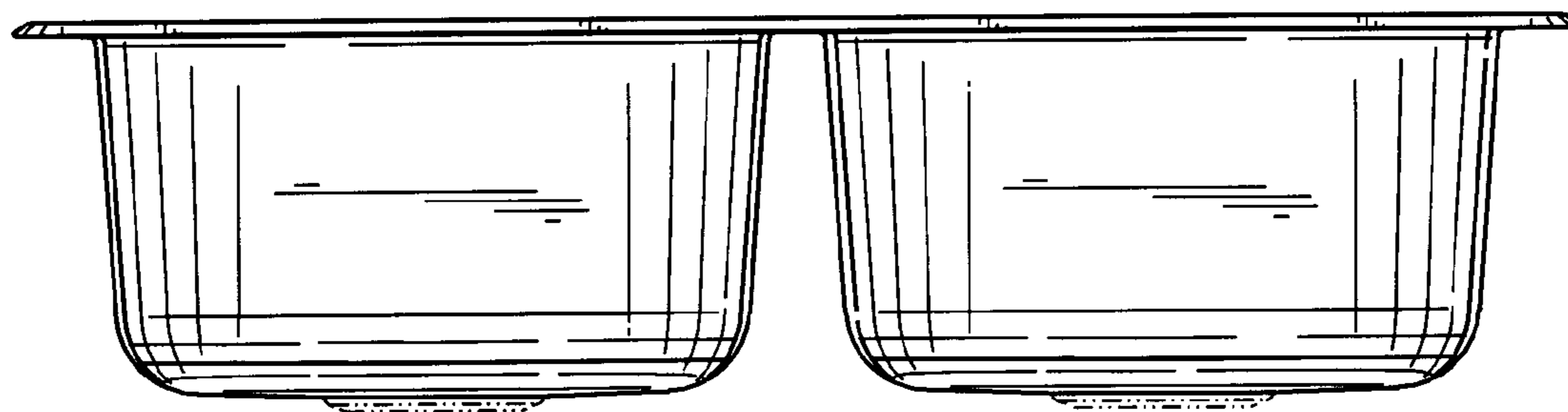


FIG. 3

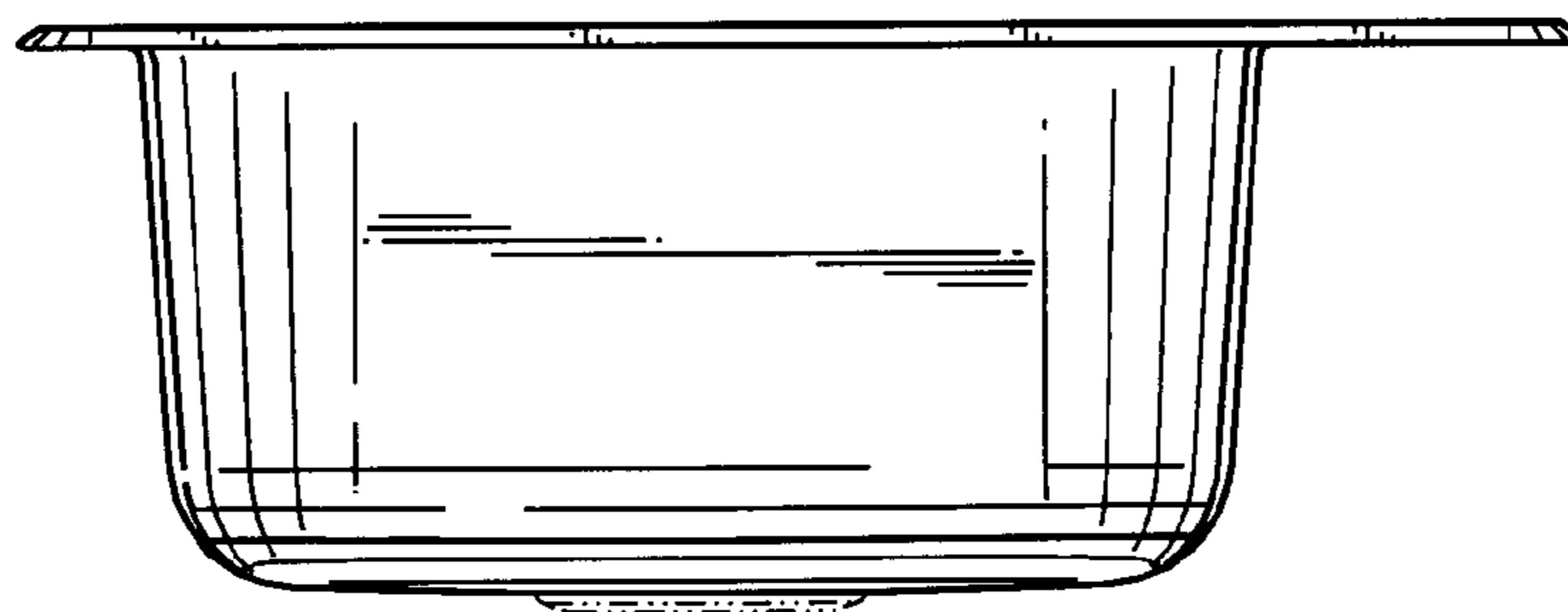


FIG. 4

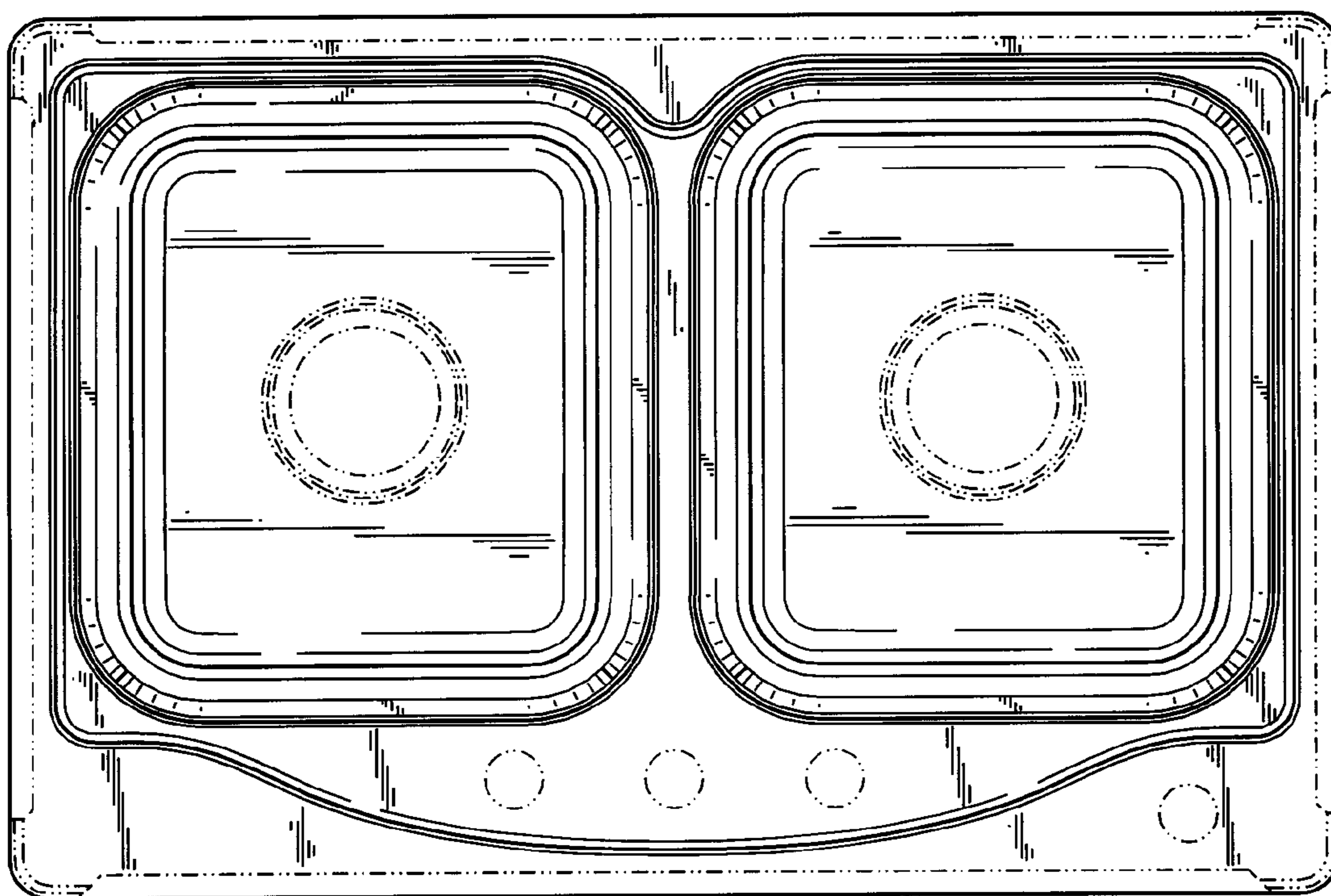


FIG. 5

UNITED STATES PATENT AND TRADEMARK OFFICE
CERTIFICATE OF CORRECTION

PATENT NO. : Des. 526,393 S
APPLICATION NO. : 29/228424
DATED : August 8, 2006
INVENTOR(S) : John K. Blomstrom

Page 1 of 5

It is certified that error appears in the above-identified patent and that said Letters Patent is hereby corrected as shown below:

Title page, illustrative fig. 1 should be deleted and substitute therefore the attached title page consisting of the attached illustrative fig. 1.

In the Drawings

The drawing sheets 1-3 consisting of Fig(s) 1-5 should be deleted and substitute therefore the attached drawing sheets 1-3 consisting of Fig(s) 1-5.

Signed and Sealed this

Tenth Day of November, 2009



David J. Kappos
Director of the United States Patent and Trademark Office

(12) **United States Design Patent**
Blomstrom

(10) Patent No.: **US D526,393 S**
 (45) Date of Patent: **** Aug. 8, 2006**

(54) SINK
 (75) Inventor: **John K. Blomstrom**, Sheboygan Falls, WI (US)
 (73) Assignee: **Kohler Co.**, Kohler, WI (US)
 (**) Term: **14 Years**

(21) Appl. No.: **29/228,424**
 (22) Filed: **Apr. 22, 2005**

(51) LOC (8) Cl. **23-02**
 (52) U.S. Cl. **D23/290**
 (58) Field of Classification Search D23/270-273,
 D23/284-286, 292-293.1, 303, 290, 308;
 4/662-666, 619, 637-642, 661
 See application file for complete search history.

(56) **References Cited**

U.S. PATENT DOCUMENTS

D352,771 S 11/1994 Walsh et al.
 D401,677 S 11/1998 Garza
 D464,127 S * 10/2002 Paredes et al. D23/290

OTHER PUBLICATIONS

Website print-out showing K-3371-3 Verse Self-rimming Kitchen Sink, 3-hole, Kohler.com, dated Dec. 2, 2004.

Catalog page from Sterling showing single-basin sink(new) #14711, double-basin sink #11401 and double-basin sink (new) #14707.

* cited by examiner

Primary Examiner—Robert A. Delehanty
 (74) Attorney, Agent, or Firm—Quarles & Brady LLP

(57) **CLAIM**

The ornamental design for a sink, as shown and described.

DESCRIPTION

In a preferred embodiment, the nature of this product is as a plumbing fixture primarily useful for washing various objects.

FIG. 1 is a right, top, front perspective view of a sink according to my new design;

FIG. 2 is a top plan view thereof;

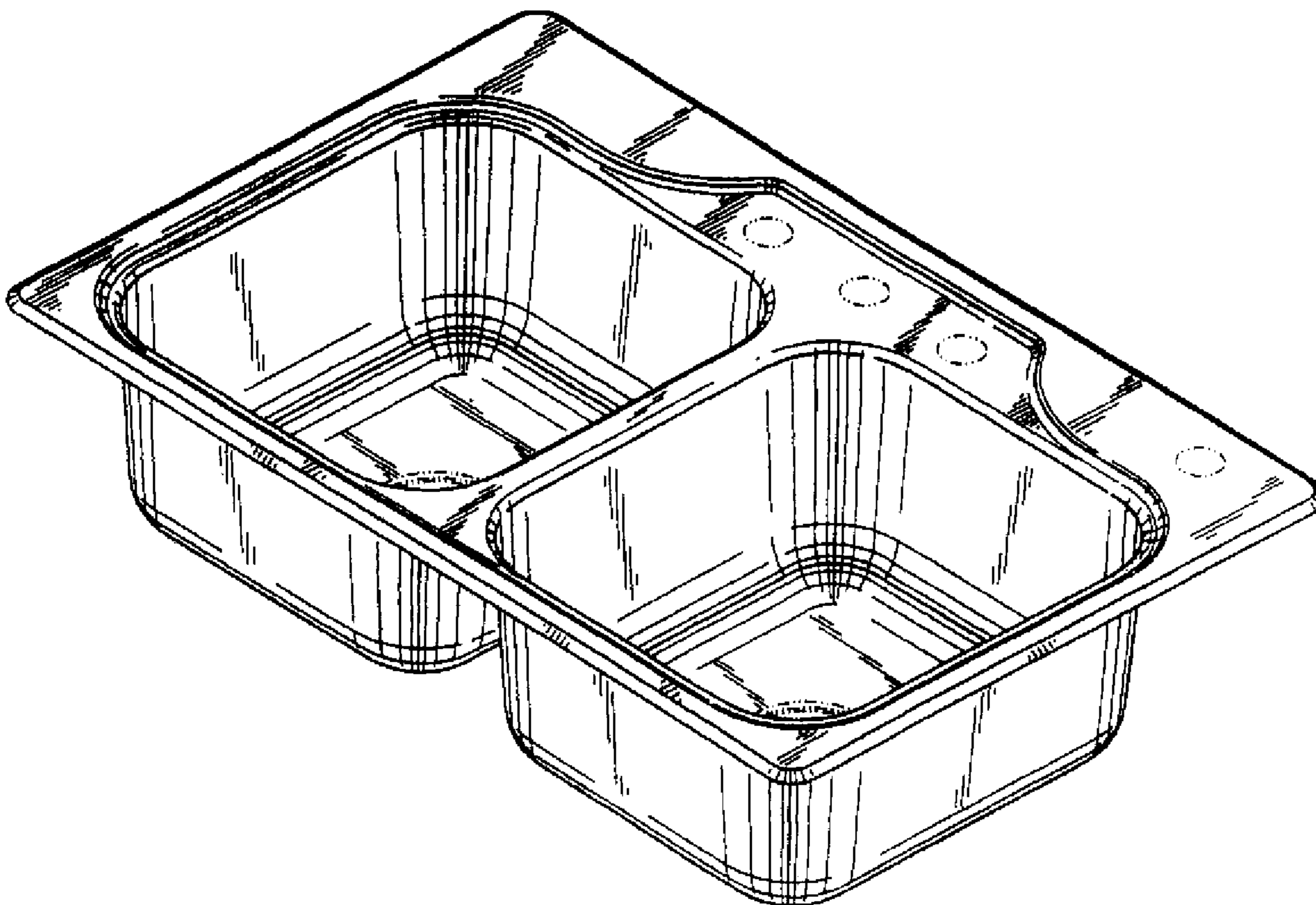
FIG. 3 is a front elevational view thereof, the rear elevational view thereof being a mirror image of the front elevational view shown;

FIG. 4 is a right side elevational view thereof, the left side elevational view being a mirror image of the right side shown; and,

FIG. 5 is a bottom plan view thereof.

The broken line representations of holes in FIGS. 1, 2 and 5, underside structure in FIG. 5, and of drains in the figures are for the purpose of illustration only, and form no part of the claimed design.

1 Claim, 3 Drawing Sheets



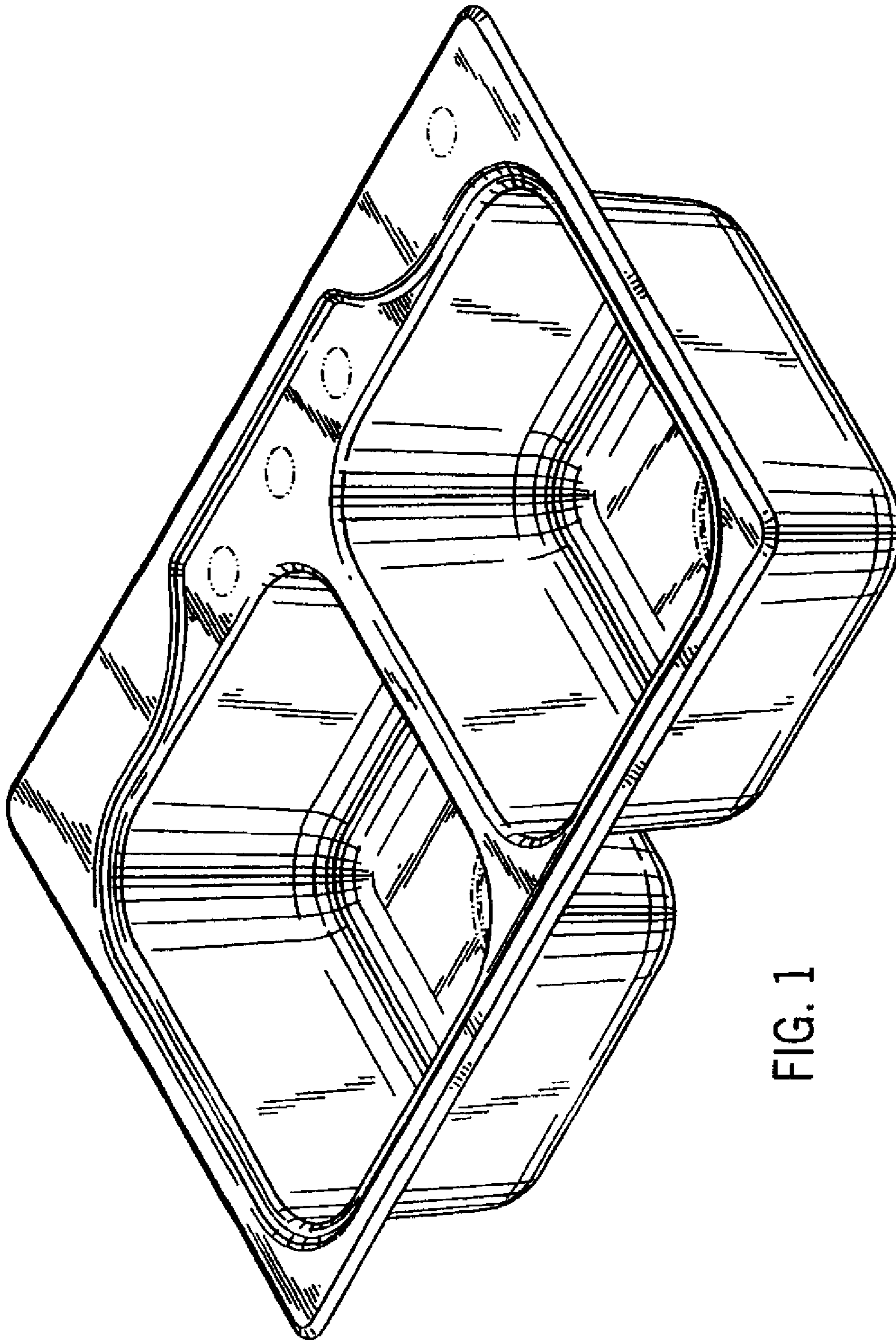


FIG. 1

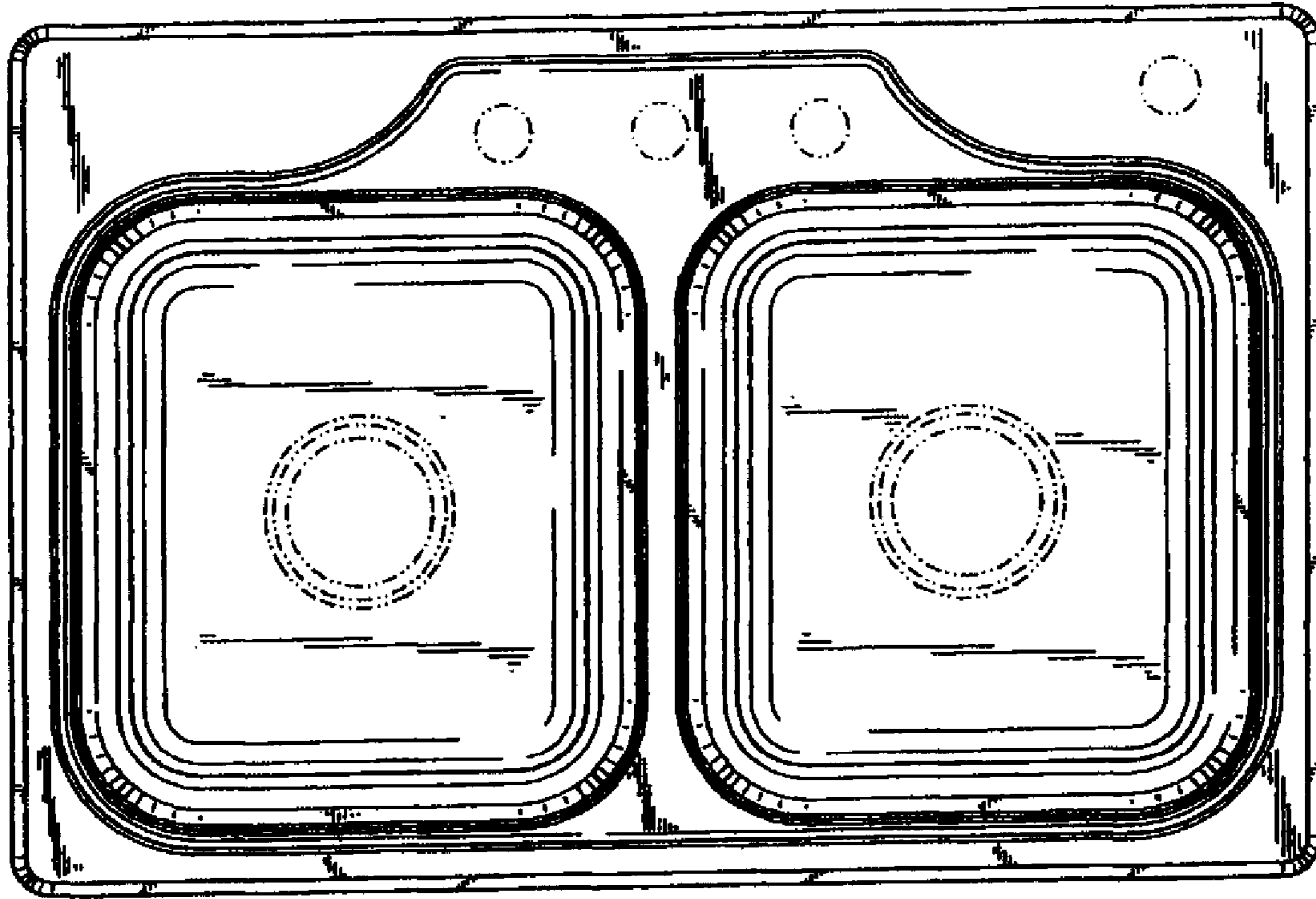


FIG. 2

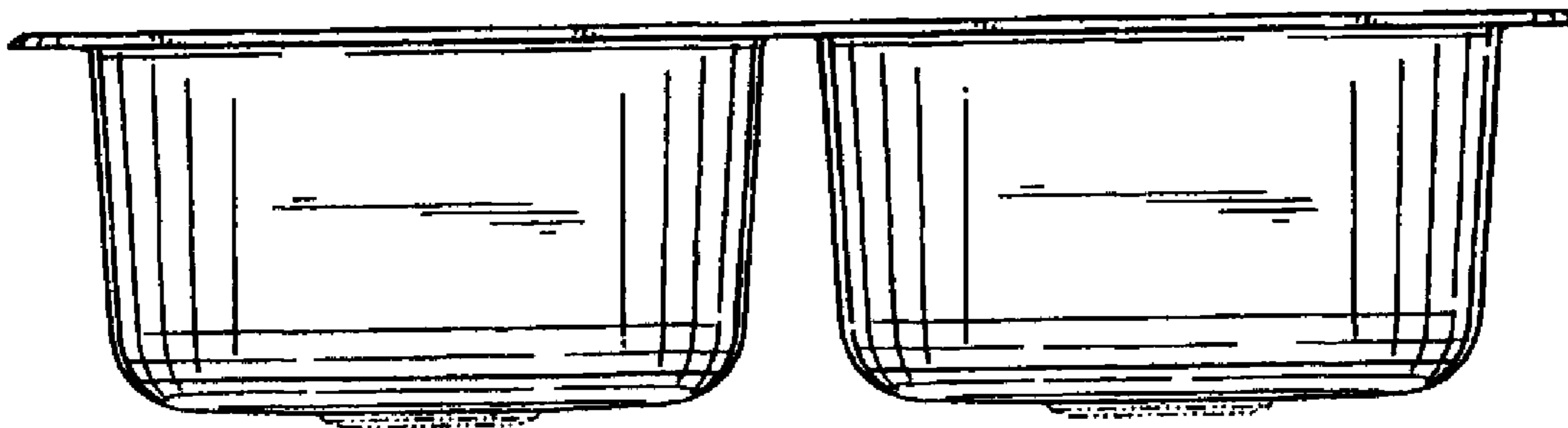


FIG. 3

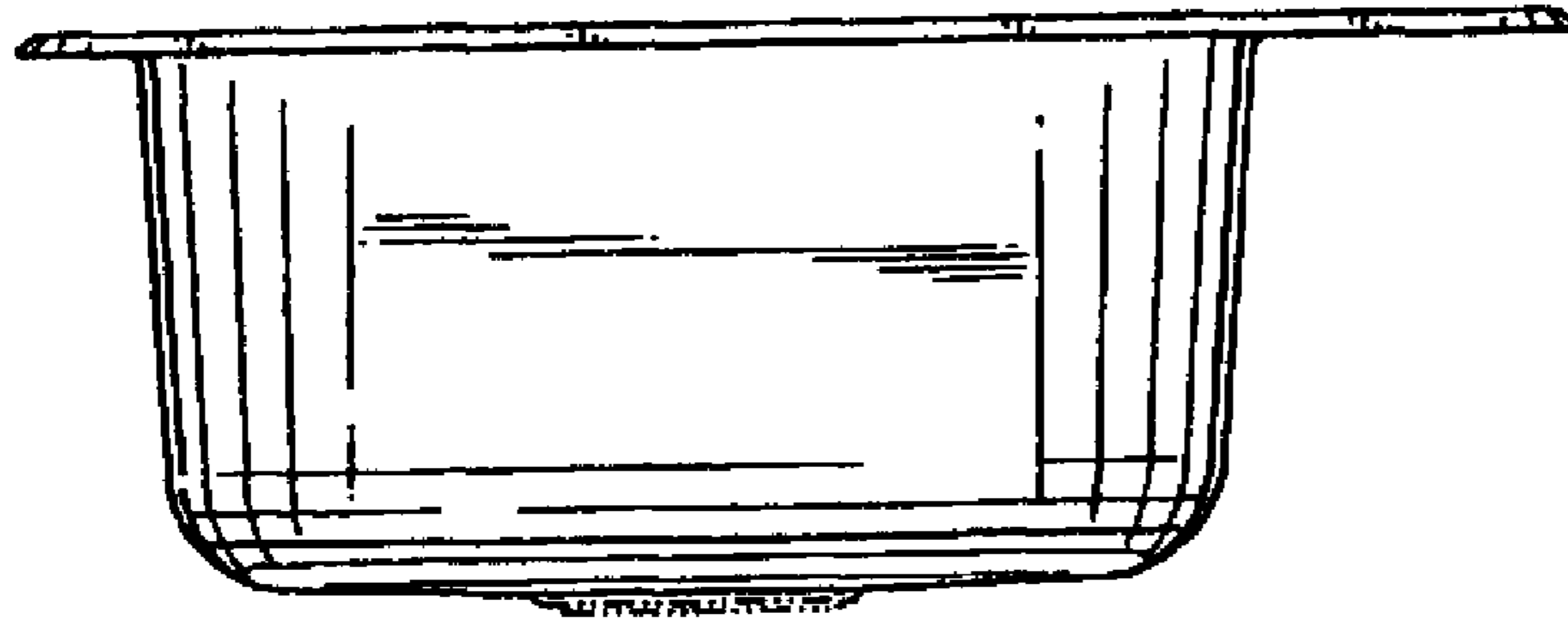


FIG. 4

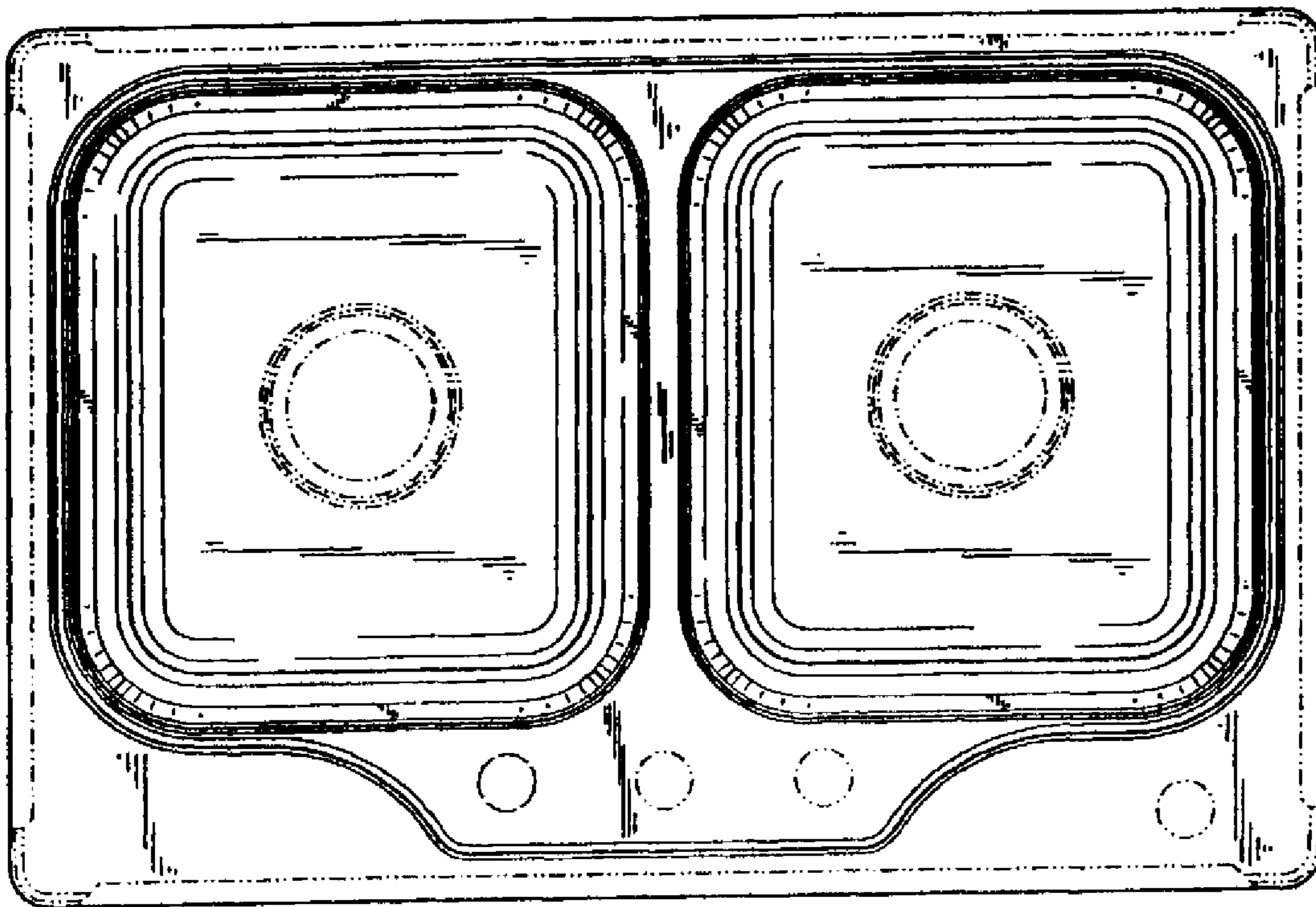


FIG. 5