

US00D526392S

(12) **United States Design Patent**
Soulier

(10) **Patent No.:** **US D526,392 S**

(45) **Date of Patent:** **** Aug. 8, 2006**

(54) **SINK**

(75) Inventor: **Jean-Hugues Soulier**, Vaucresson (FR)

(73) Assignee: **Kohler Co.**, Kohler, WI (US)

(**) Term: **14 Years**

(21) Appl. No.: **29/202,601**

(22) Filed: **Apr. 1, 2004**

(51) **LOC (8) Cl.** **23-02**

(52) **U.S. Cl.** **D23/290**

(58) **Field of Classification Search** D23/270–273,
D23/284–287, 290, 293.1, 303, 308; 4/662–666,
4/619, 630–631, 637–640, 642, 650–652,
4/661

See application file for complete search history.

(56) **References Cited**

U.S. PATENT DOCUMENTS

D324,908 S * 3/1992 Sauter et al. D23/290
D395,699 S 6/1998 Hundley
D470,229 S 2/2003 Roberts

OTHER PUBLICATIONS

Undated Kallista catalog ad, p. 38, entitled “Kitchen Col-
lection”.

Undated Kohler catalog ad, p. 16.41, showing a Poise sink,
entitled “Stainless Steel Kitchen Sinks”.

Undated Kohler catalog ad, p. 16.20, showing a Hawthorne
sink, entitled “Kohler Cast Iron Kitchen Sinks”.

* cited by examiner

Primary Examiner—Robert A. Delehanty

(74) *Attorney, Agent, or Firm*—Quarles & Brady LLP

(57) **CLAIM**

The ornamental design for a sink, as shown and described.

DESCRIPTION

FIG. 1 is a right, top, front perspective view of a sink
embodying my new design;

FIG. 2 is a top plan view thereof;

FIG. 3 is a front elevational view thereof, the rear elevational
view thereof being a mirror image of the front elevational
image shown;

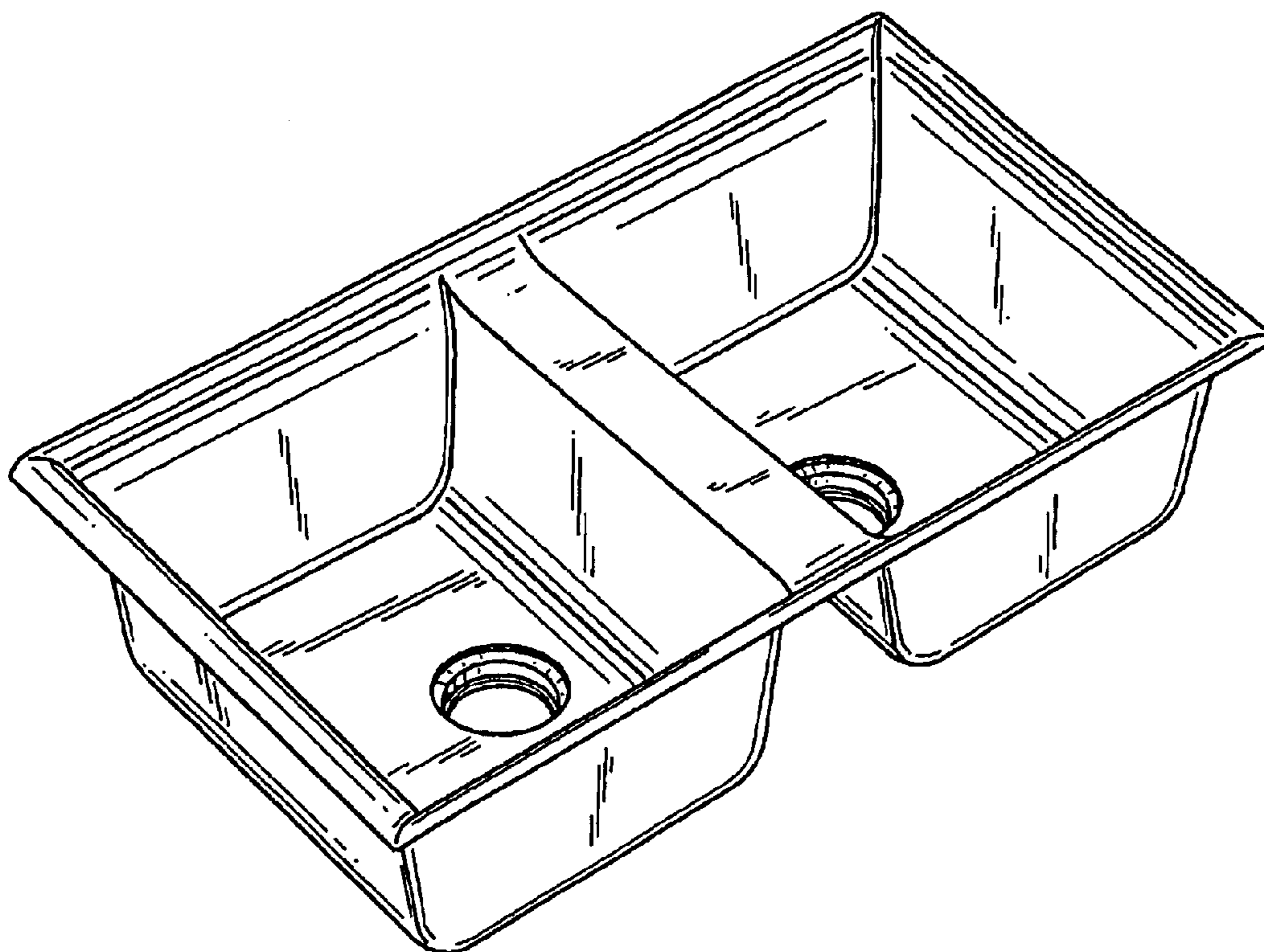
FIG. 4 is a right side elevational view thereof, the left side
elevational view thereof being a mirror image of the right
shown;

FIG. 5 is a bottom plan view thereof;

FIG. 6 is a cross-sectional view thereof taken along line
6–6 of FIG. 2; and,

FIG. 7 is a cross-sectional view thereof taken along line
7–7 of FIG. 2.

1 Claim, 3 Drawing Sheets



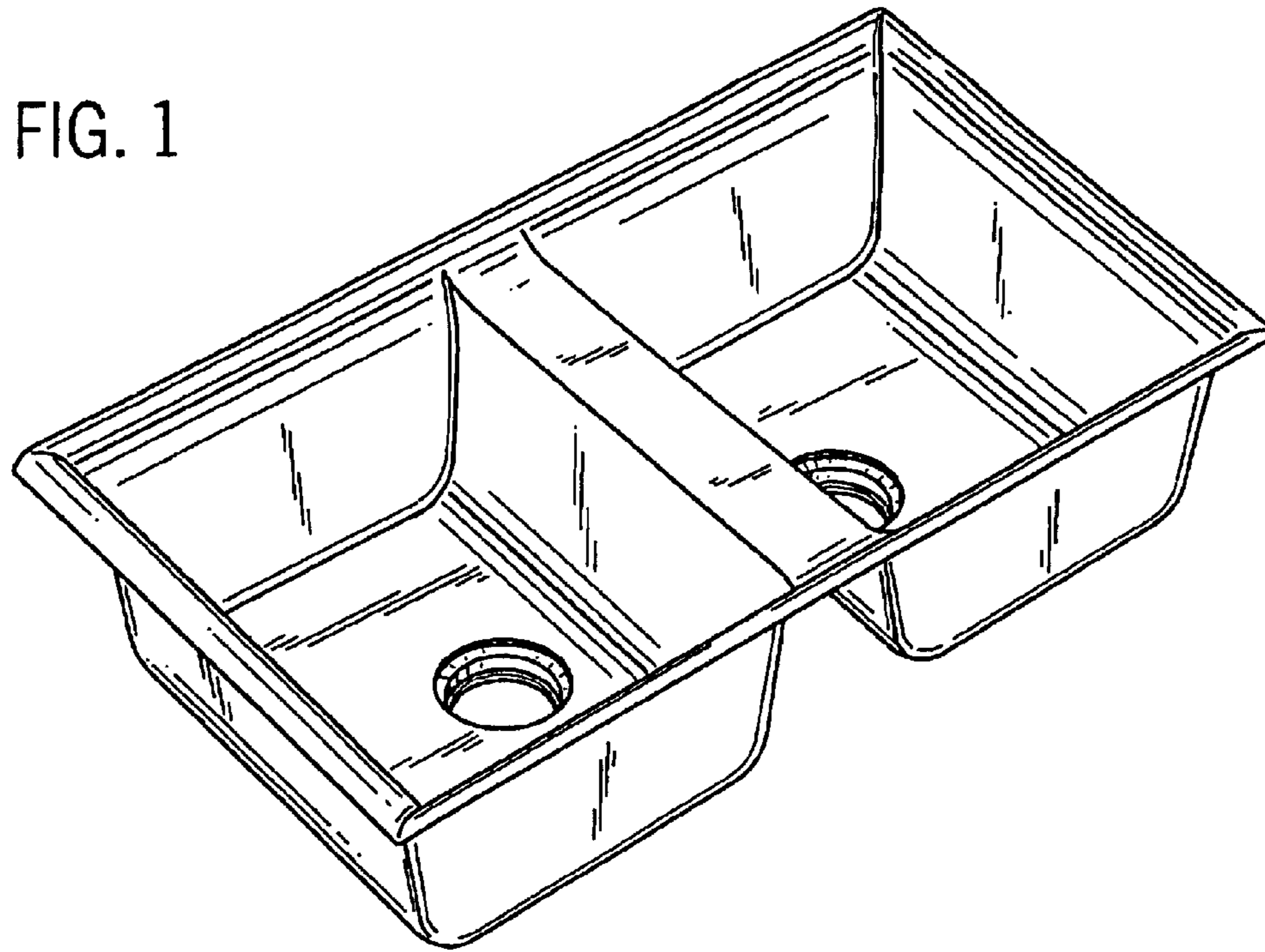


FIG. 2

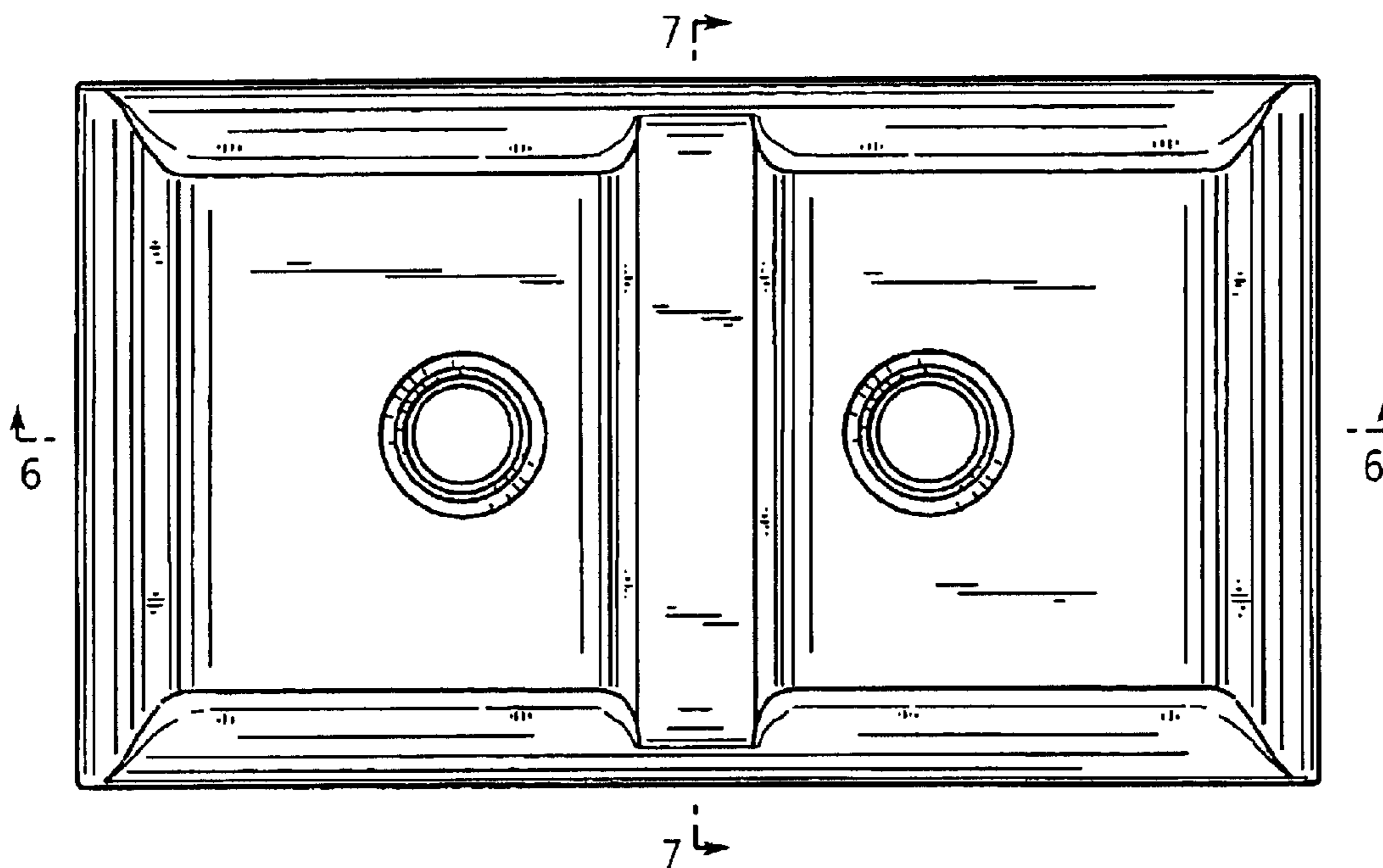


FIG. 3

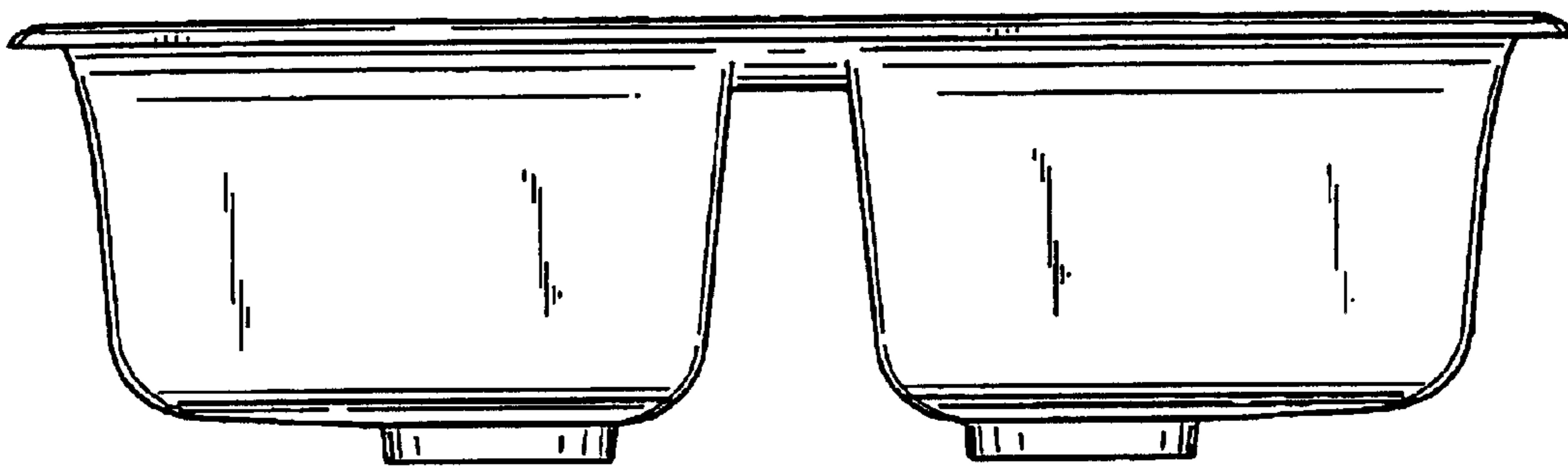


FIG. 4

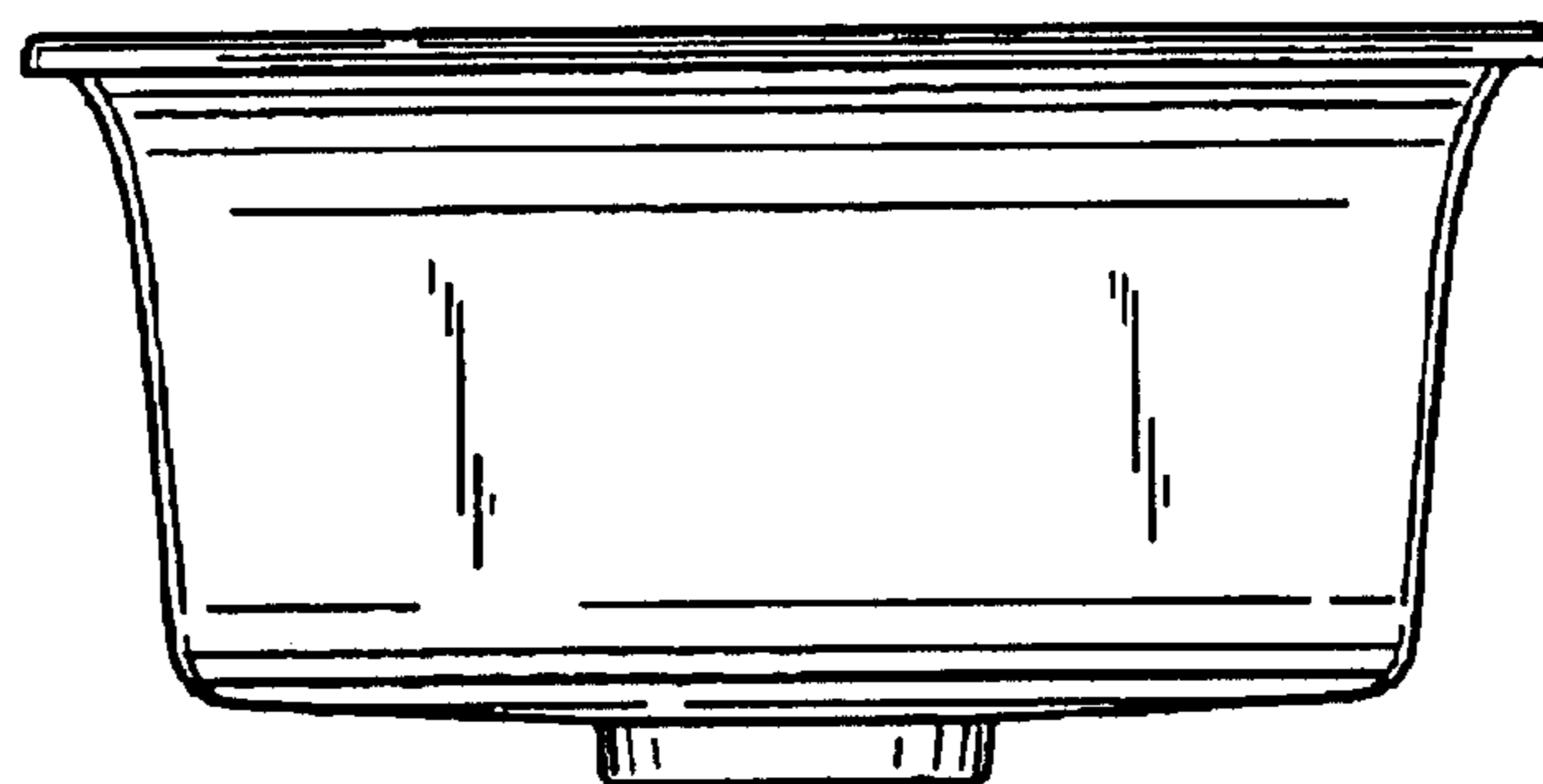


FIG. 5

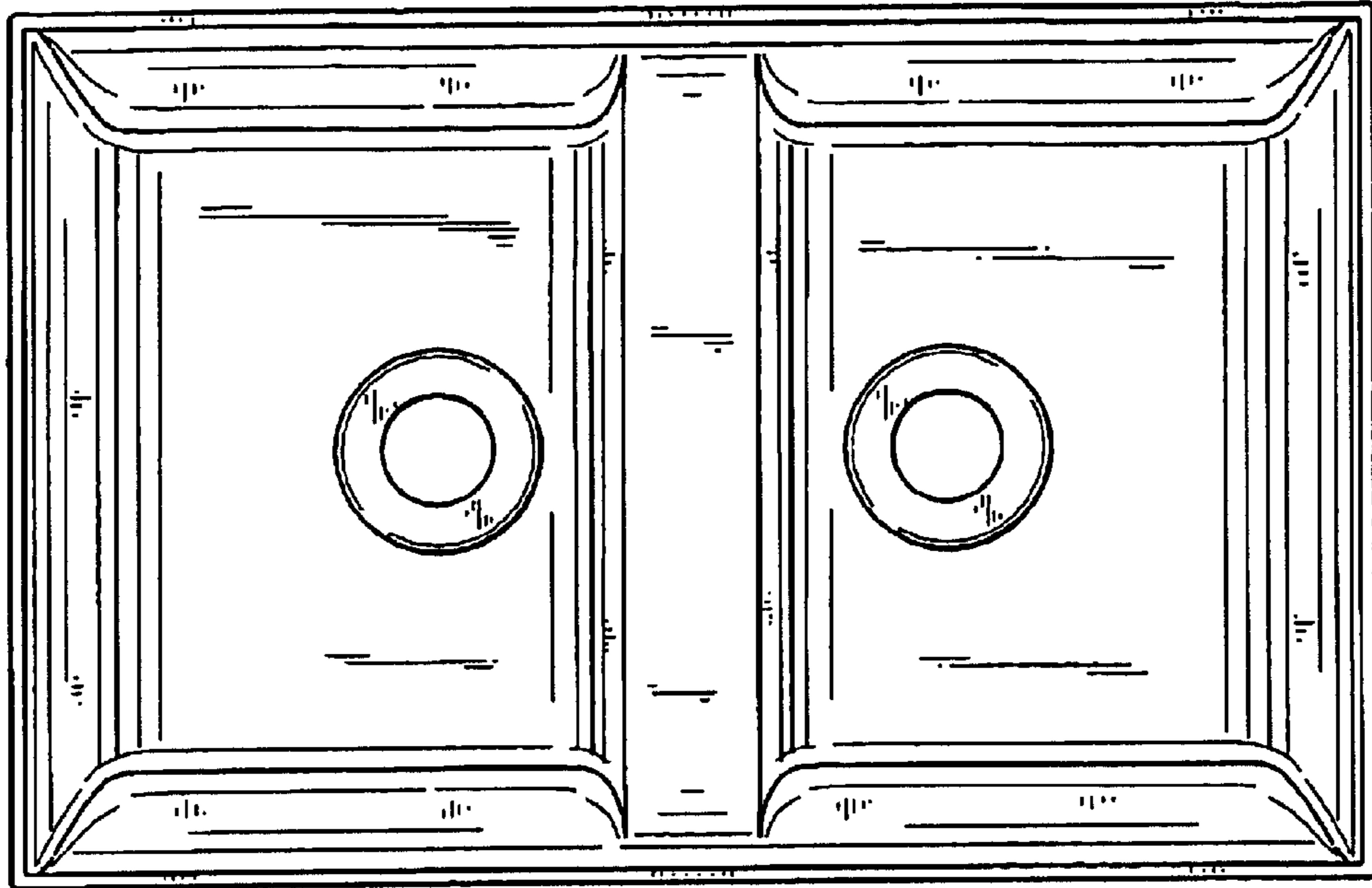


FIG. 6

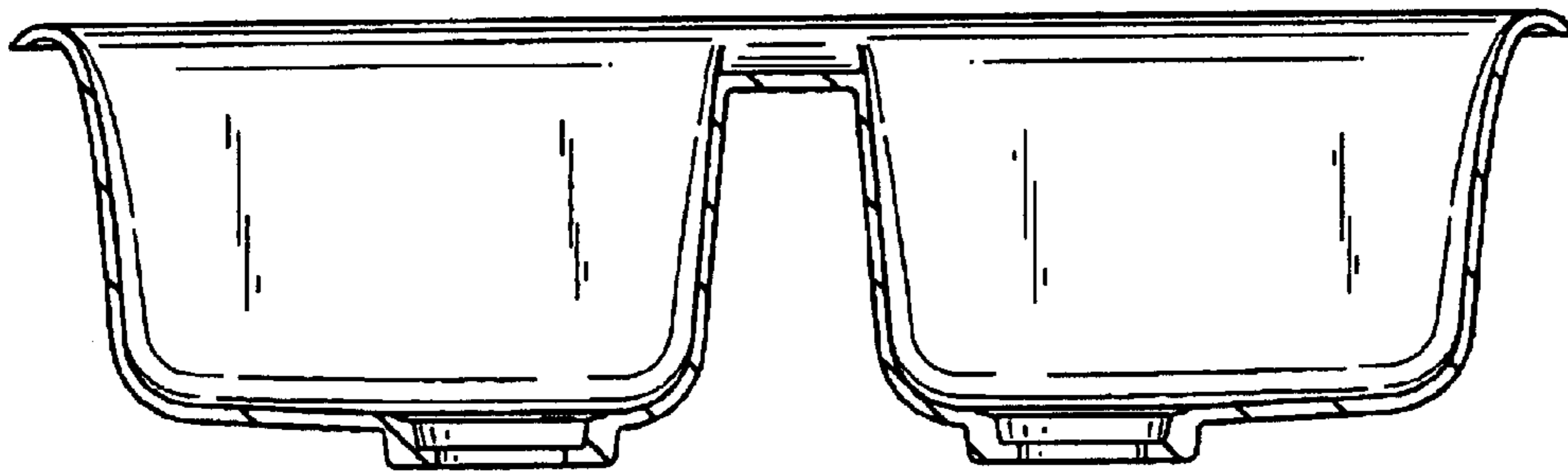


FIG. 7

