

US00D526388S

(12) **United States Design Patent**  
**Haug et al.**

(10) **Patent No.:** **US D526,388 S**

(45) **Date of Patent:** **\*\* Aug. 8, 2006**

(54) **FAUCET SPOUT**

(75) Inventors: **Andreas Haug**, Stuttgart (DE); **Tom Schonherr**, Stuttgart (DE); **Andreas Dimitriadis**, Lorch (DE); **Peter Kolin**, Schwabisch Gmund (DE)

(73) Assignee: **Hansgrohe AG** (DE)

(\*\*) Term: **14 Years**

(21) Appl. No.: **29/207,879**

(22) Filed: **Jun. 18, 2004**

(30) **Foreign Application Priority Data**

Dec. 19, 2003 (EM) ..... 000118997

(51) **LOC (8) Cl.** ..... **23-01**

(52) **U.S. Cl.** ..... **D23/238**

(58) **Field of Classification Search** ..... D23/238-257;  
4/675-678; 137/801

See application file for complete search history.

(56) **References Cited**

**U.S. PATENT DOCUMENTS**

D300,942 S \* 5/1989 Paul ..... D23/242

D311,438 S \* 10/1990 Strignano ..... D23/242  
D350,183 S \* 8/1994 Joerger ..... D23/242  
D465,557 S \* 11/2002 Antonello et al. .... D23/242  
D487,133 S \* 2/2004 Haug et al. .... D23/238

\* cited by examiner

*Primary Examiner*—Louis S. Zarfes

*Assistant Examiner*—Gregory Andoll

(74) *Attorney, Agent, or Firm*—Kwadjo Adusei-Poku;  
Lloyd D. Doigan

(57) **CLAIM**

The ornamental design for a faucet spout, as shown and described.

**DESCRIPTION**

FIG. 1 is a front perspective view of a faucet assembly showing our new design;

FIG. 2 is a front elevational view thereof;

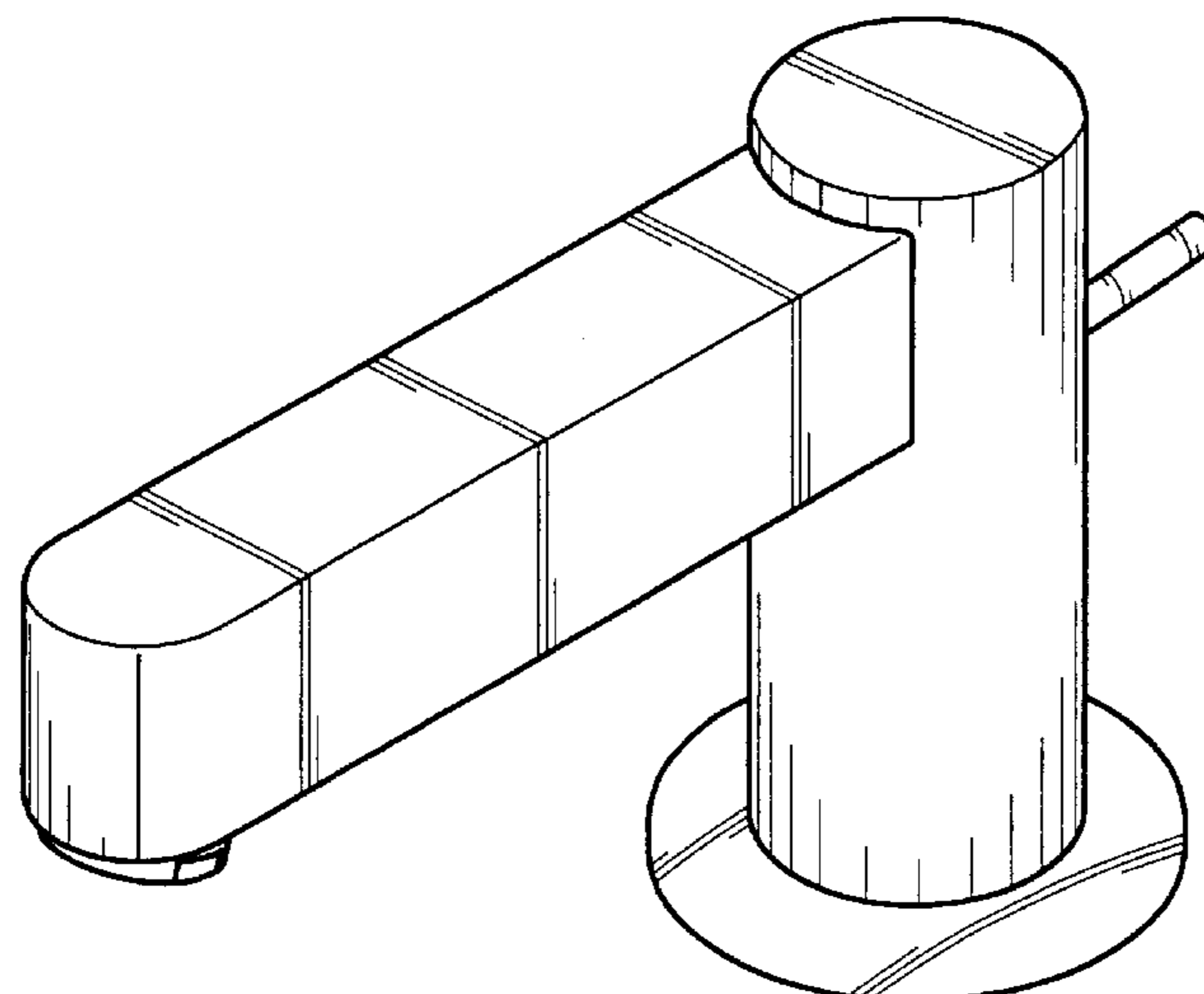
FIG. 3 is a top plan view thereof;

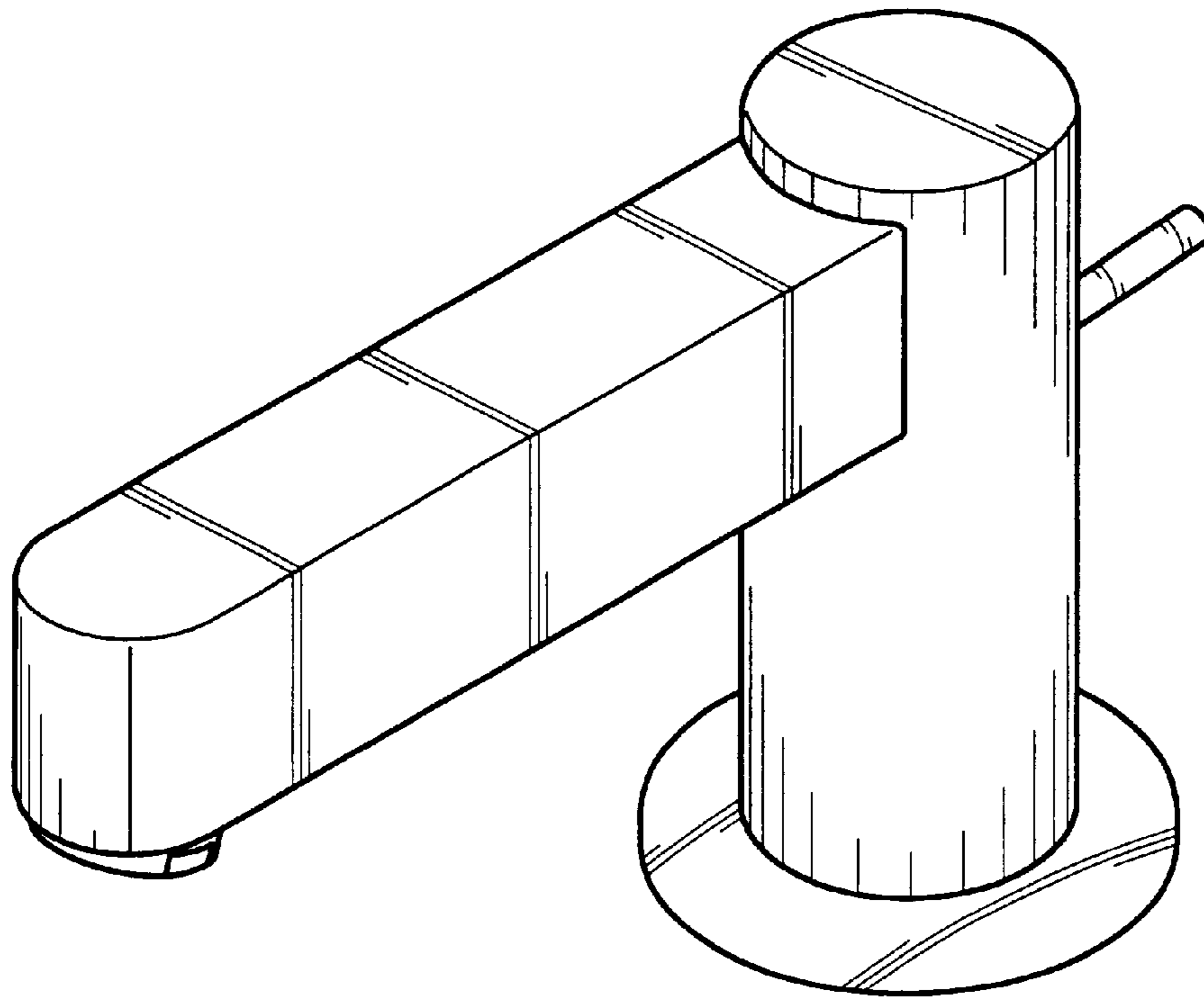
FIG. 4 is a left side elevational view thereof;

FIG. 5 is a rear elevational view thereof; and,

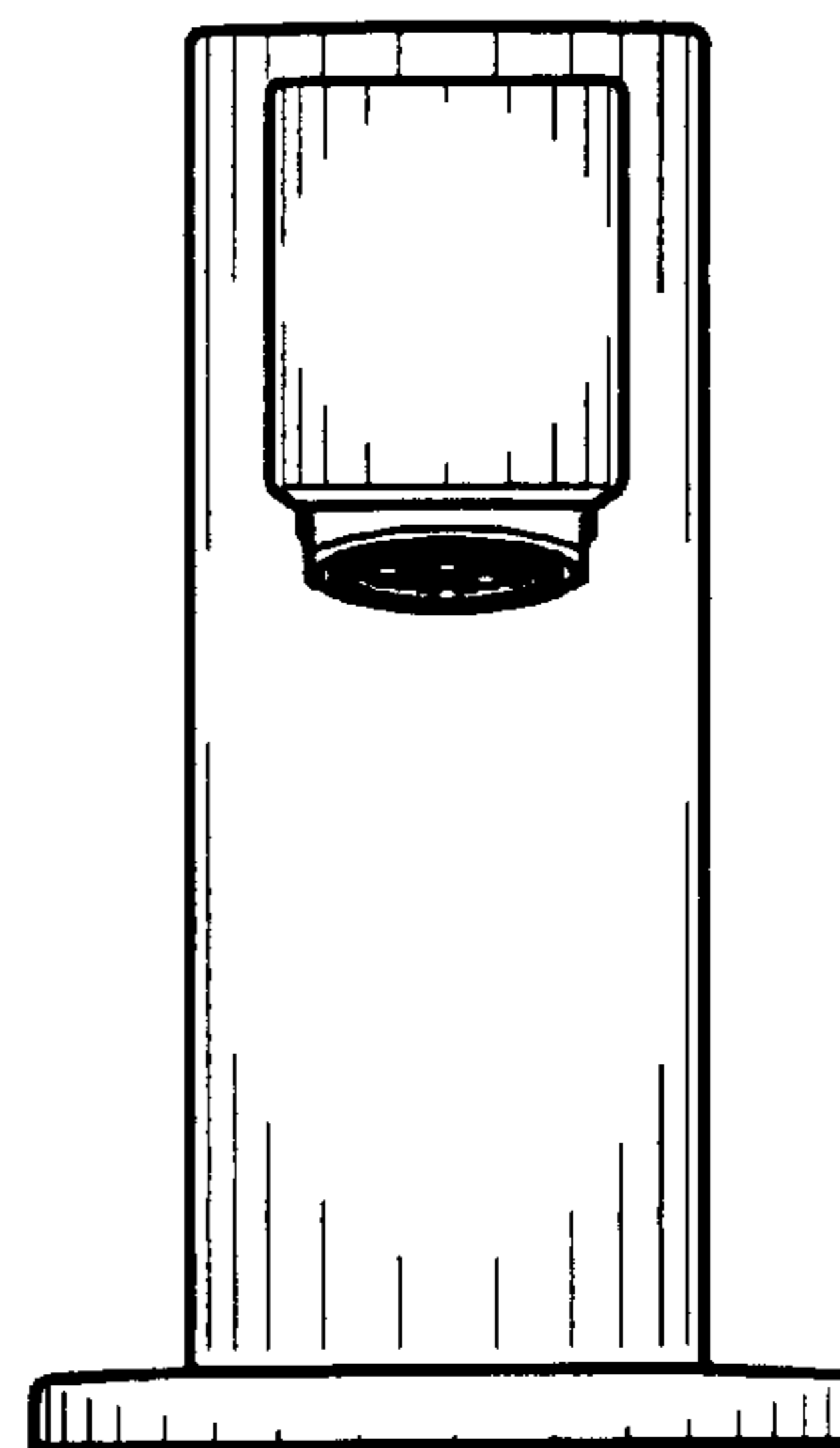
FIG. 6 is a right side elevational view thereof.

**1 Claim, 3 Drawing Sheets**

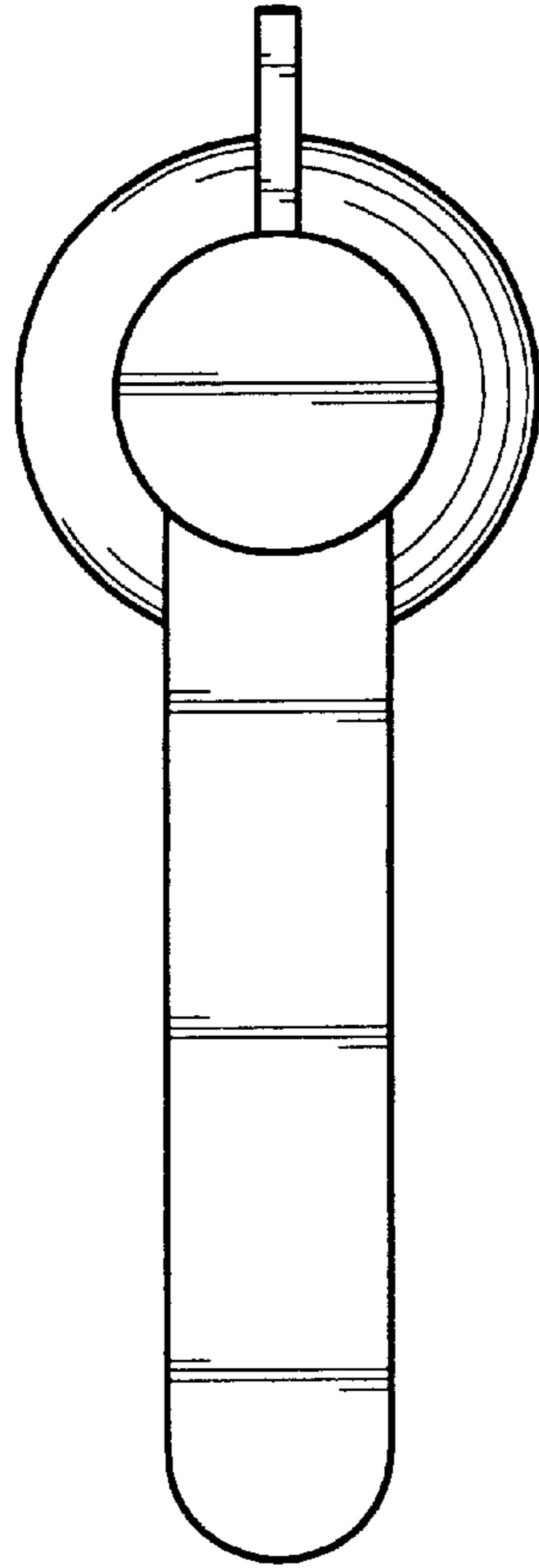




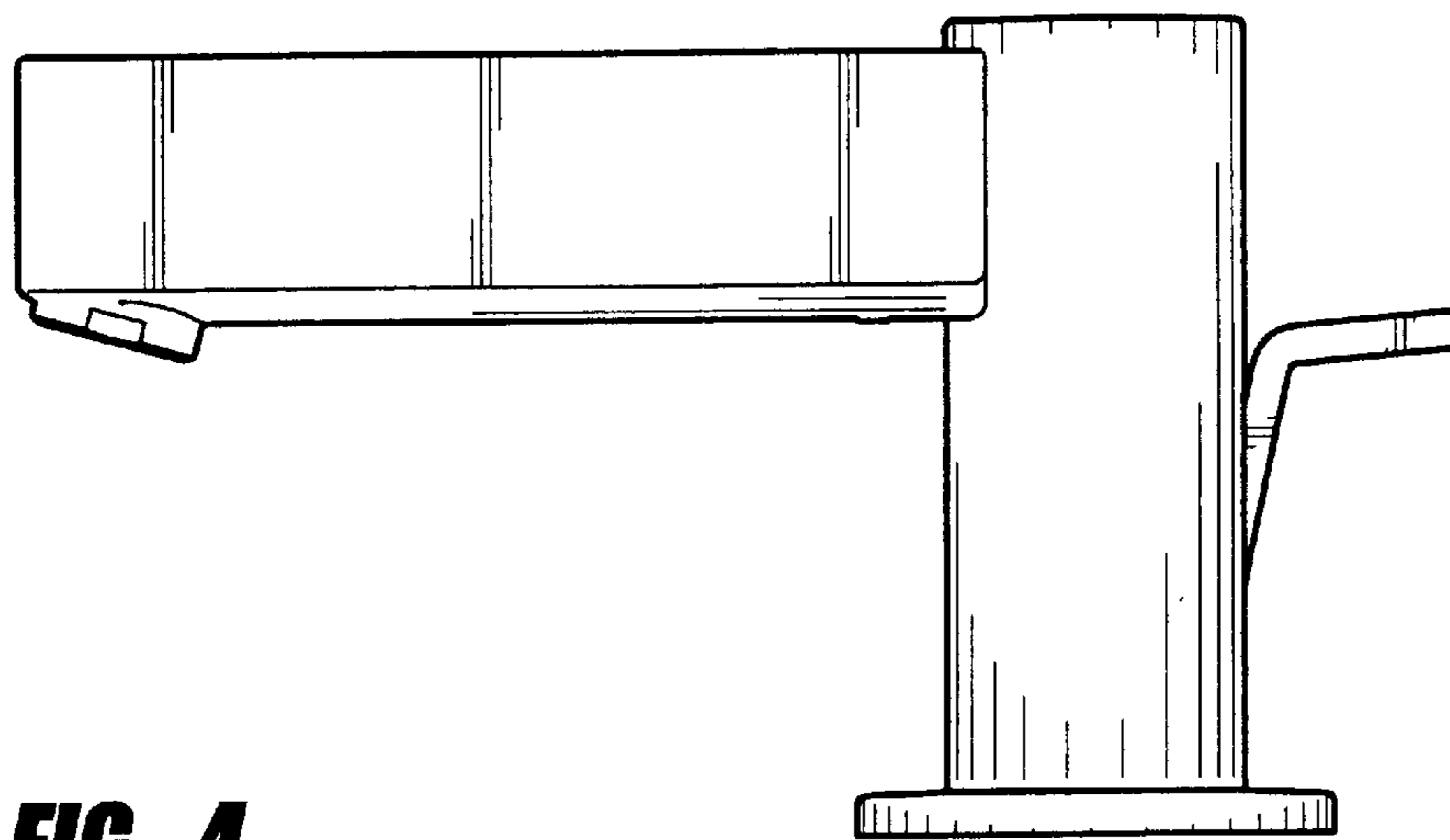
**FIG - 1**



**FIG - 2**

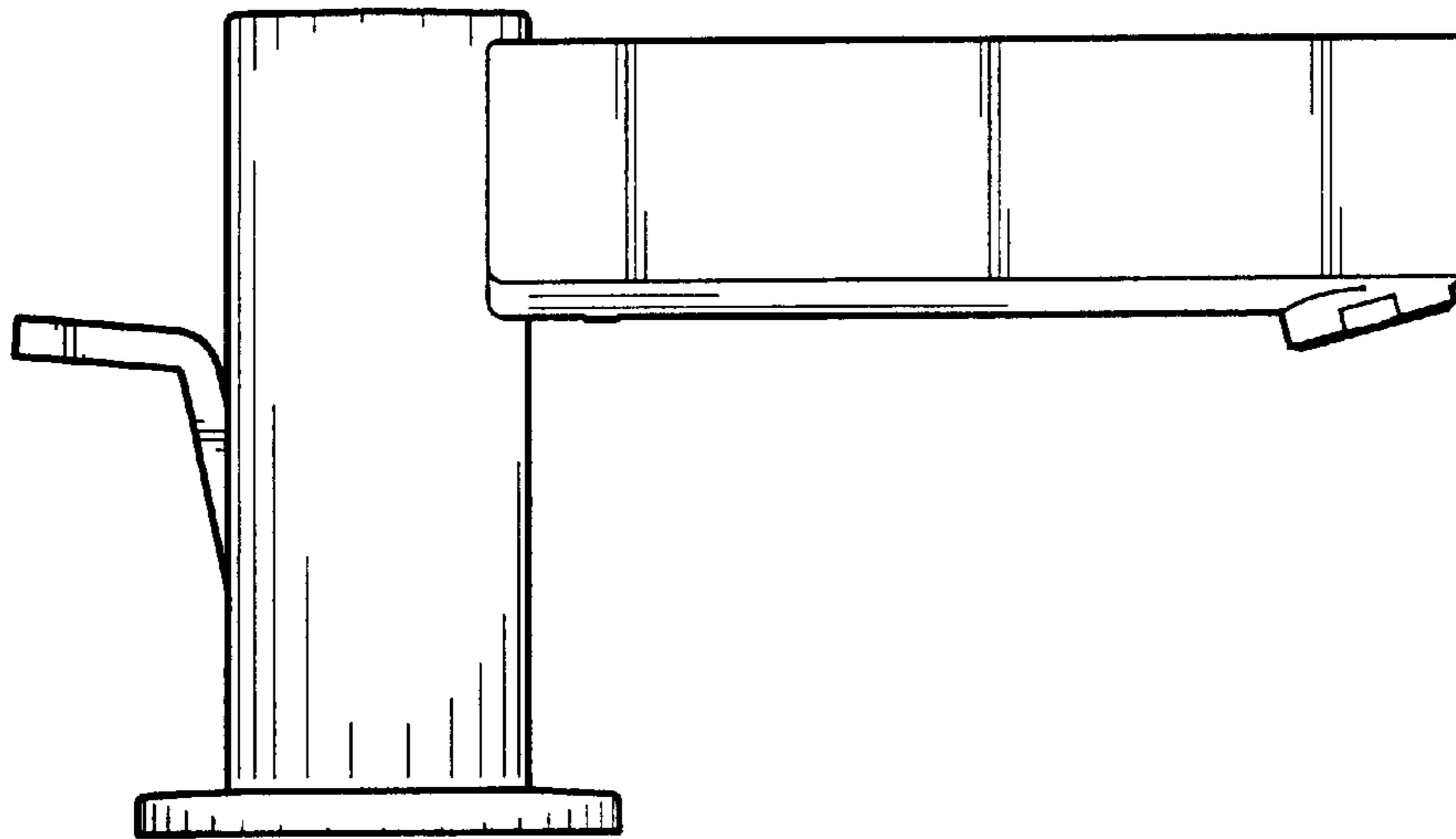
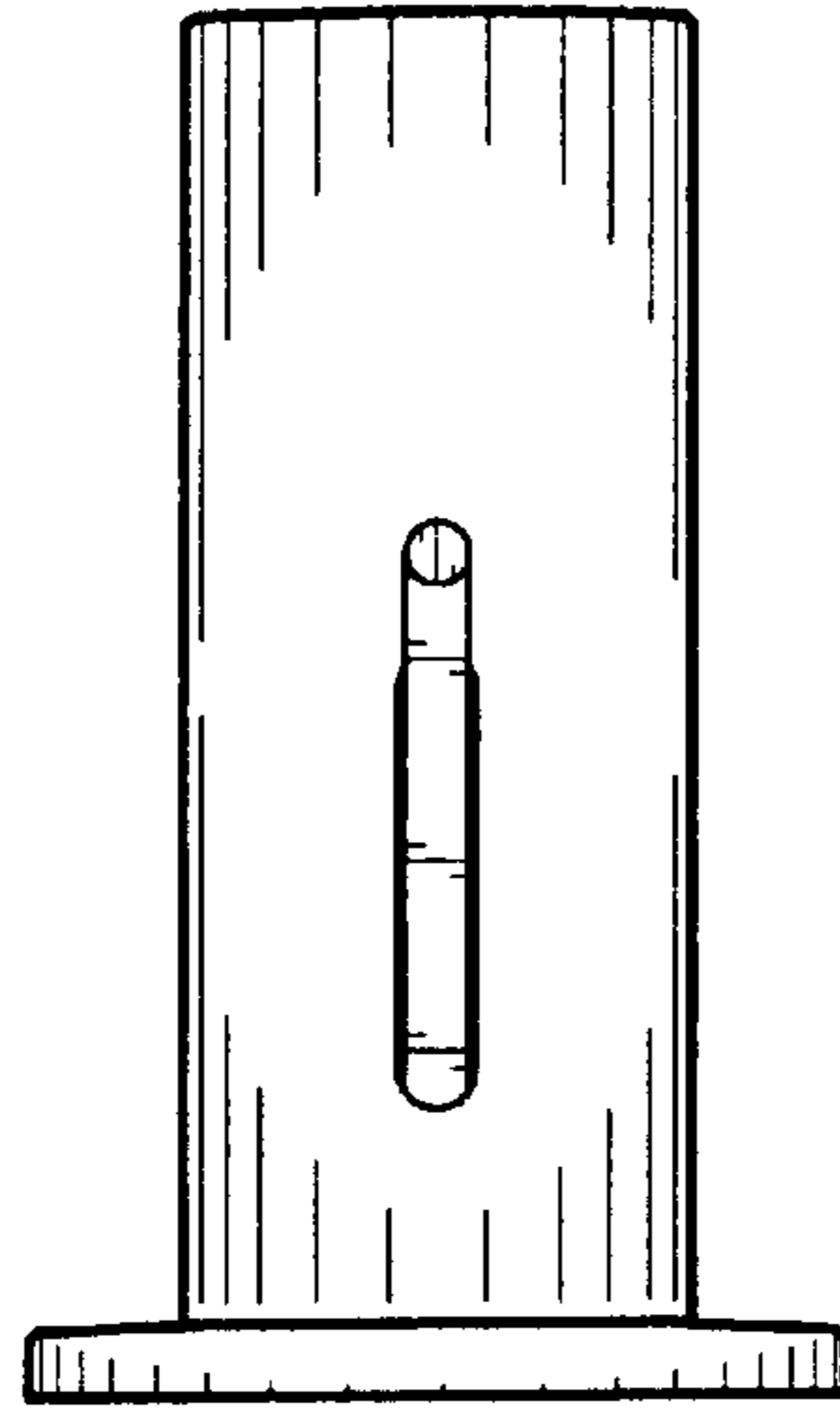


**FIG - 3**



**FIG - 4**

**FIG - 5**



**FIG - 6**