



US00D526387S

(12) **United States Design Patent**
Bonomi

(10) **Patent No.:** **US D526,387 S**

(45) **Date of Patent:** **** Aug. 8, 2006**

(54) **BALL VALVE**

(75) Inventor: **Roberto Bonomi**, Lumezzane (IT)

(73) Assignee: **Effebi S.p.A.**, Bovezzo (IT)

(**) Term: **14 Years**

(21) Appl. No.: **29/217,026**

(22) Filed: **Nov. 12, 2004**

(30) **Foreign Application Priority Data**

May 12, 2004 (IT) 177.670

(51) **LOC (8) Cl.** **23-01**

(52) **U.S. Cl.** **D23/236**

(58) **Field of Classification Search** D23/233-237,
D23/240-249, 250-257; 4/675-678; 137/801,
137/375, 554; D8/350-353; 285/12; 251/309-310,
251/314-315, 315.01, 192, 366; D24/129;
604/99.01, 99.02, 99.04, 167.05

See application file for complete search history.

(56) **References Cited**

U.S. PATENT DOCUMENTS

D297,254 S * 8/1988 Odate et al. D23/248

D486,204 S * 2/2004 Tripp et al. D23/245
6,702,258 B1 * 3/2004 Pettinaroli 251/315.01
D497,976 S * 11/2004 Goetz et al. D23/245
D505,184 S * 5/2005 Trappa D23/245
2003/0111113 A1 * 6/2003 Shih 137/375

* cited by examiner

Primary Examiner—Ian Simmons

Assistant Examiner—Maurice Stevens

(74) *Attorney, Agent, or Firm*—Nixon & Vanderhye P.C.

(57) **CLAIM**

The ornamental design for a “ball valve,” as shown and described.

DESCRIPTION

FIG. 1 is a perspective view of a ball valve showing my new design;

FIG. 2 is a front view thereof;

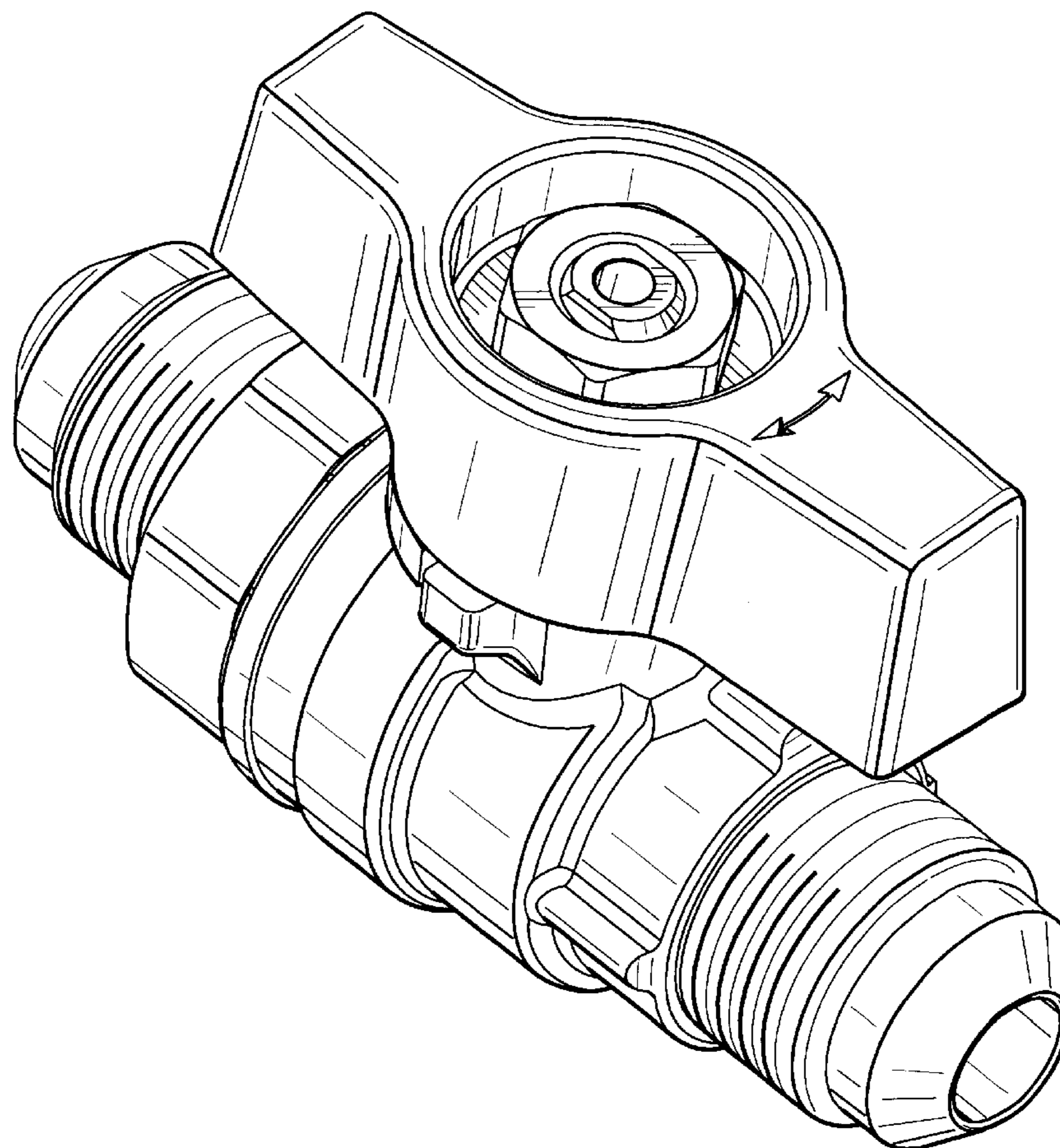
FIG. 3 is a left side view thereof;

FIG. 4 is a right side view thereof;

FIG. 5 is a top plan view thereof; and,

FIG. 6 is a bottom plan view.

1 Claim, 5 Drawing Sheets



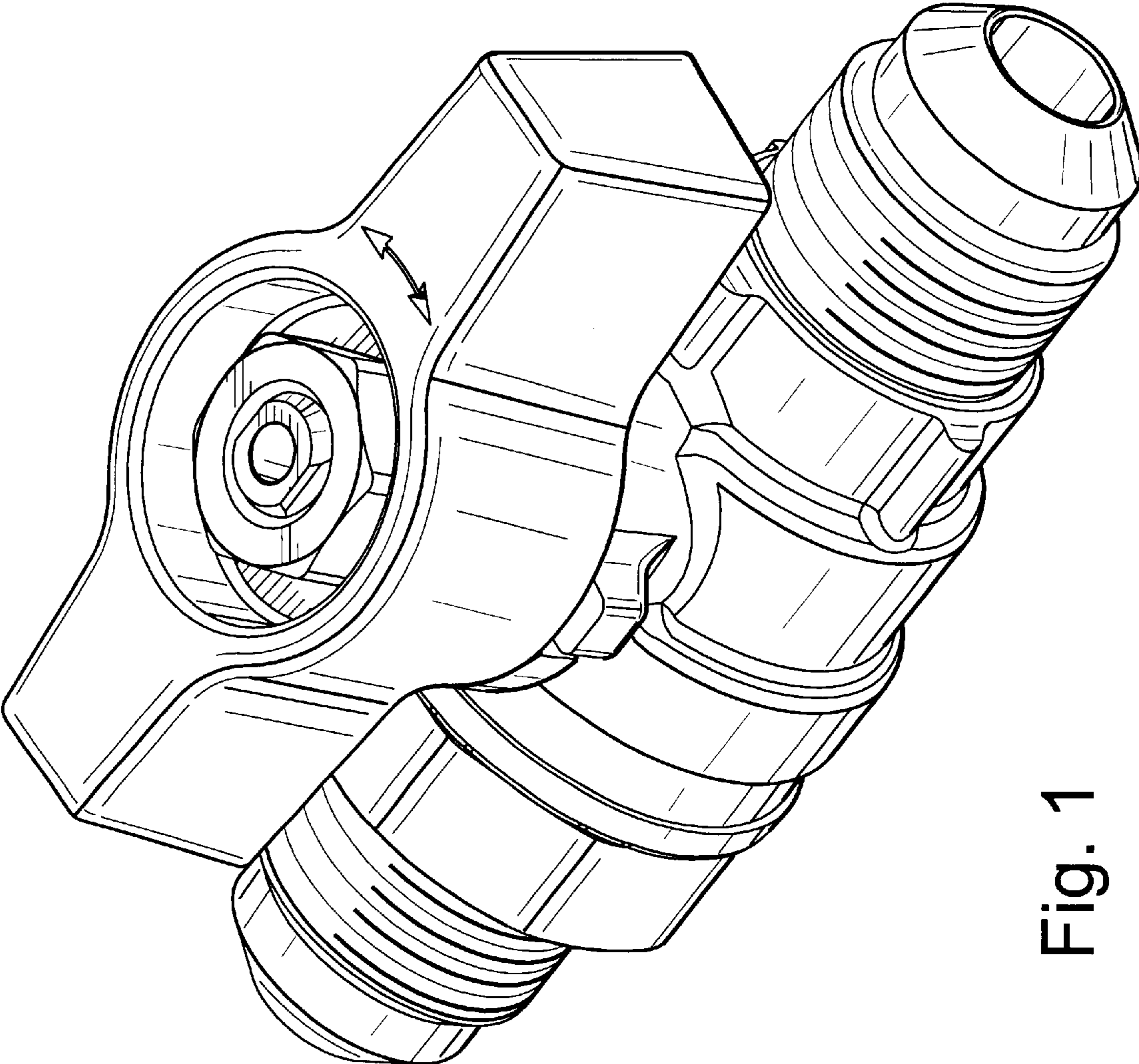


Fig. 1

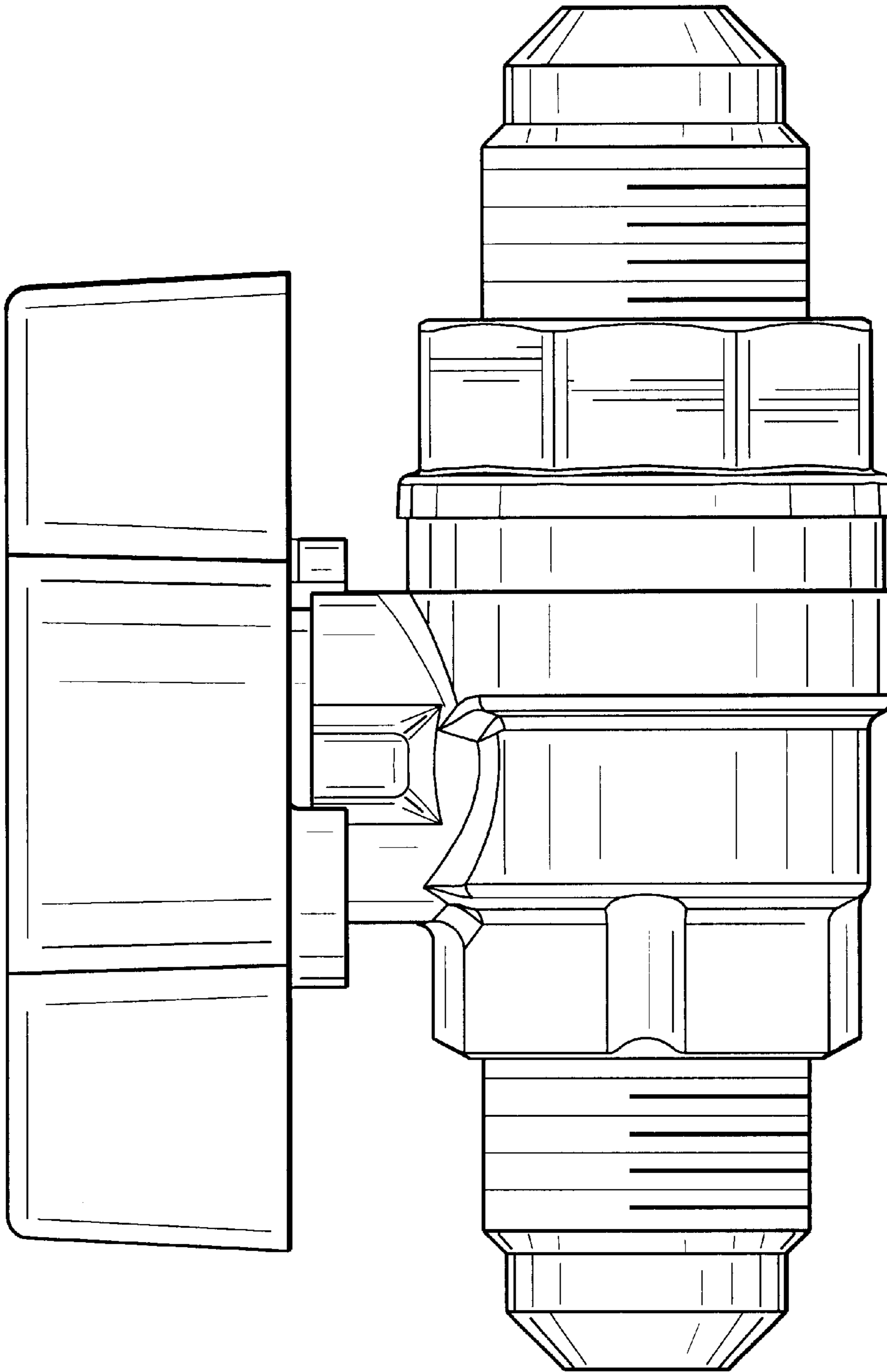


Fig. 2

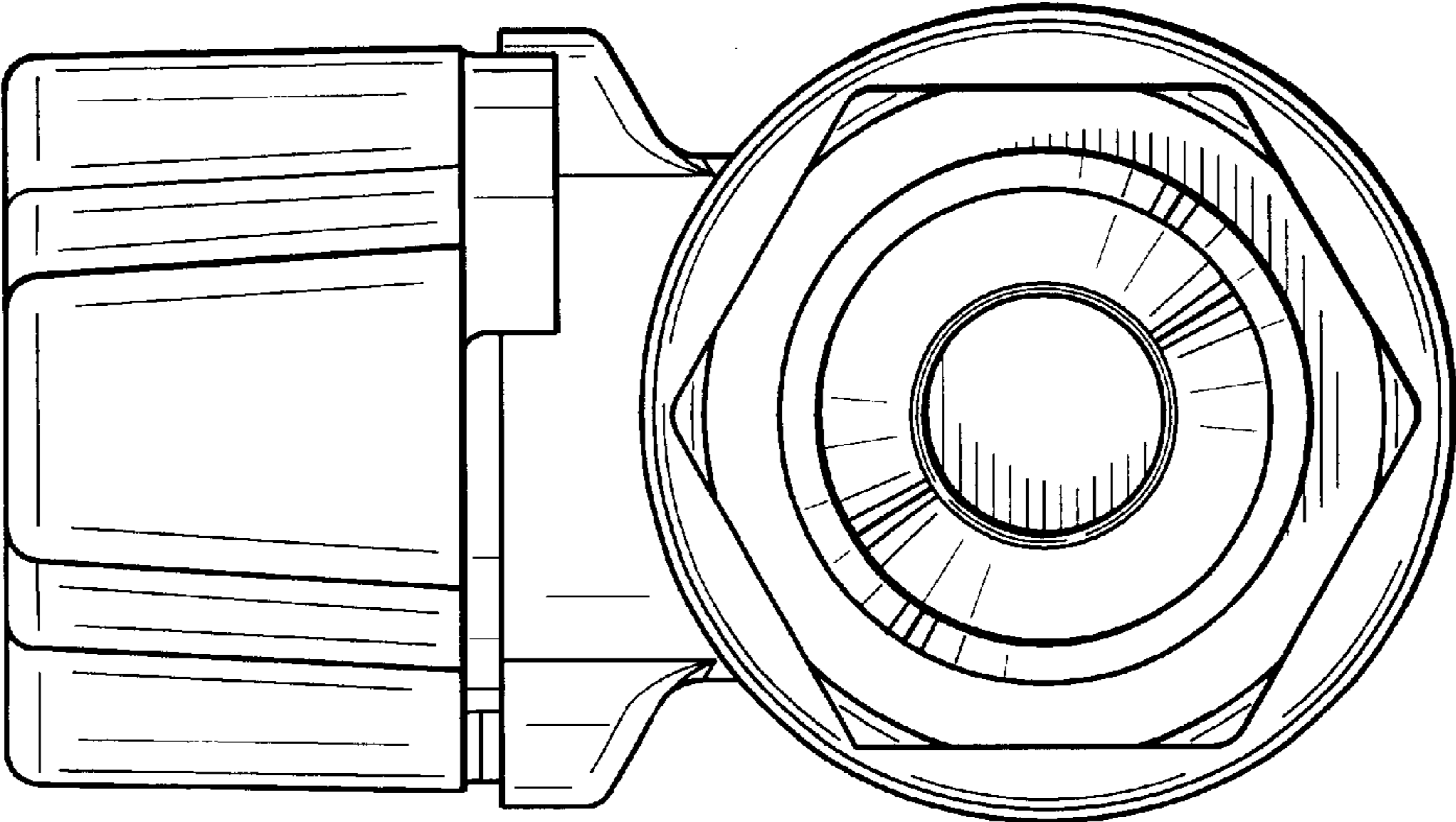


Fig. 4

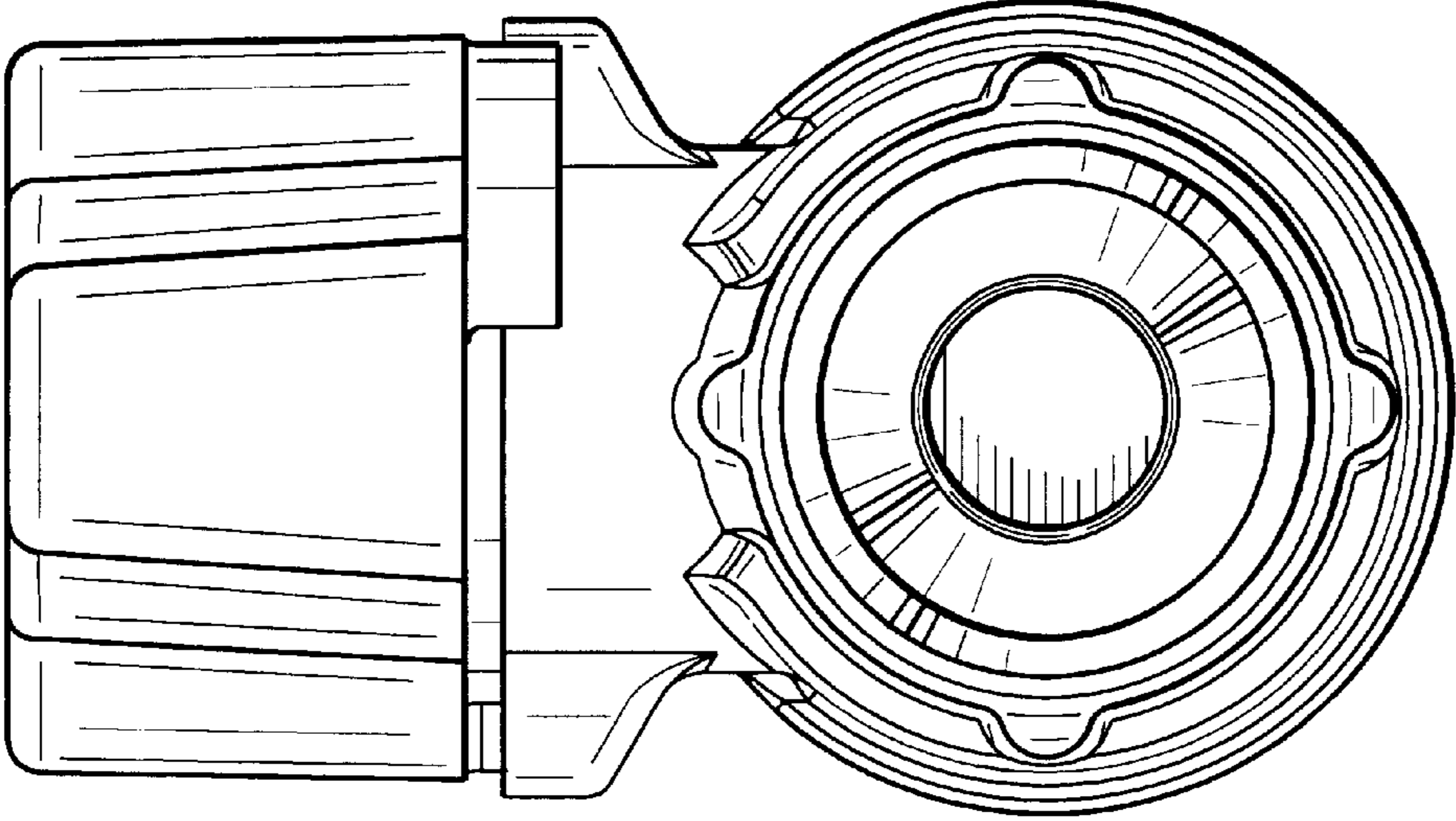


Fig. 3

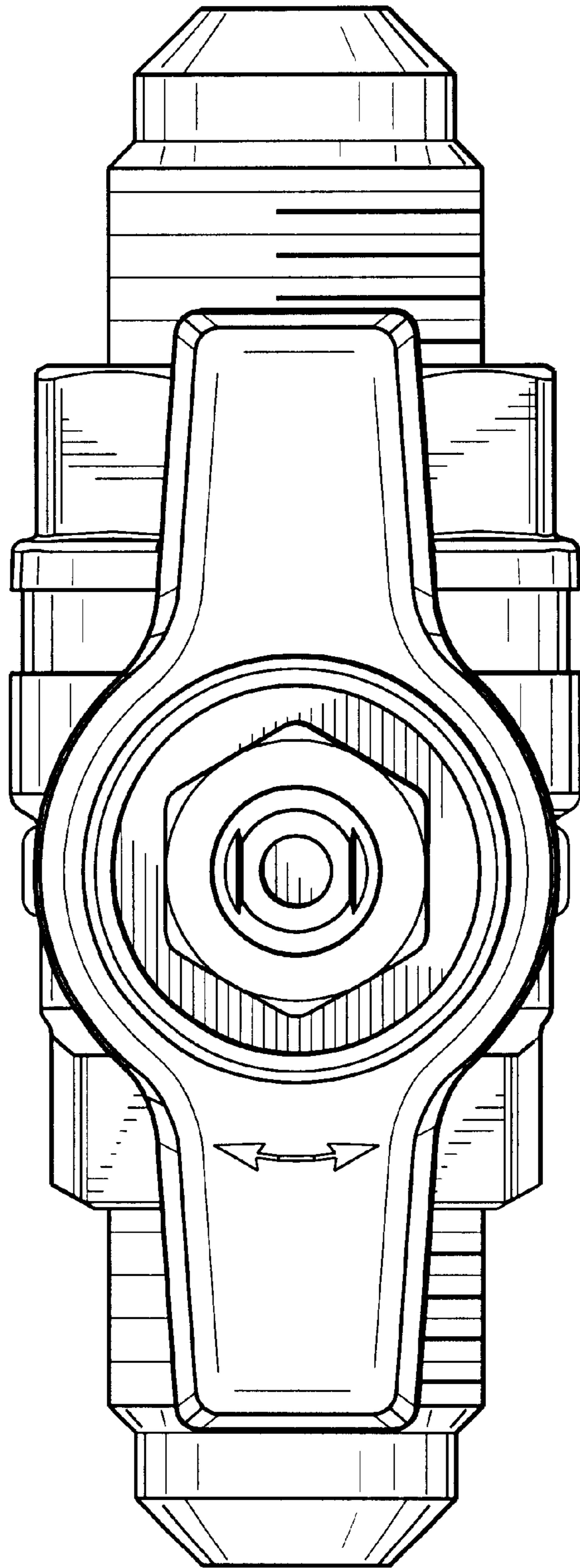


Fig. 5

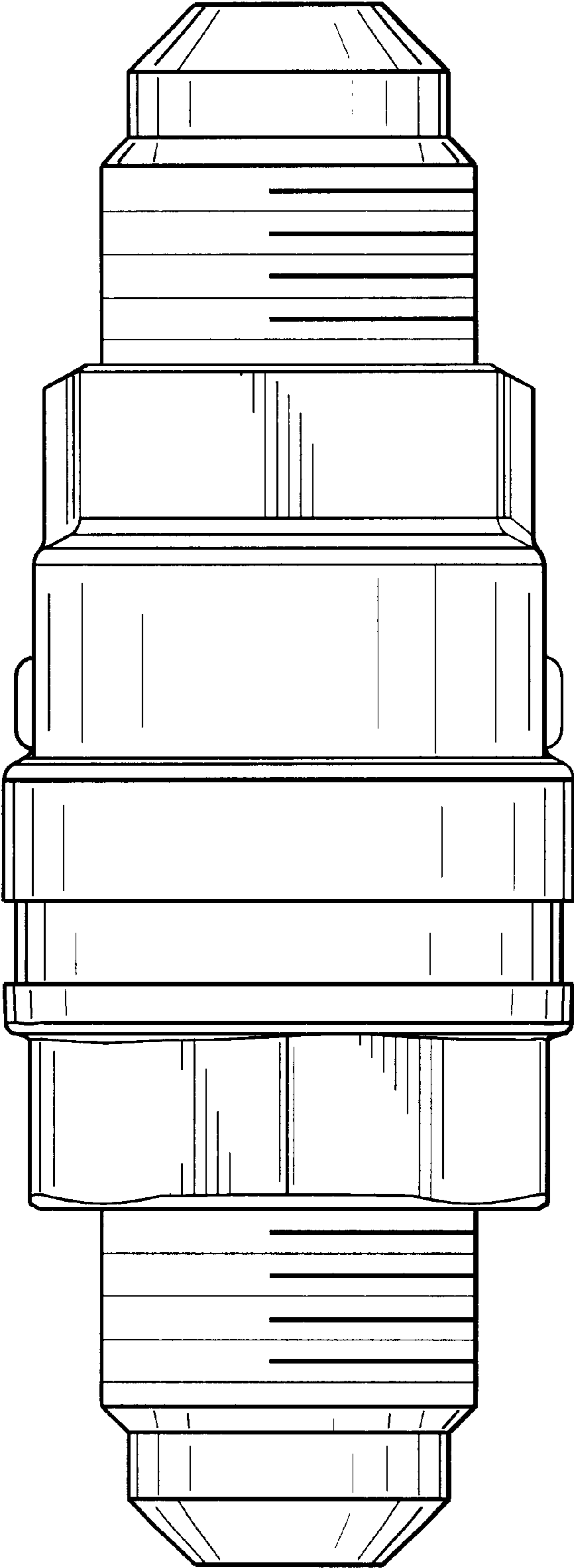


Fig. 6