

US00D526386S

(12) **United States Design Patent**  
**Lai**

(10) **Patent No.:** **US D526,386 S**

(45) **Date of Patent:** **\*\* Aug. 8, 2006**

(54) **SWITCH VALVE**

(75) Inventor: **Hung-Lin Lai**, Changhua Hsien (TW)

(73) Assignee: **Wen Sheng Fu Co., Ltd.**, Lu Kang (TW)

(\*\*) Term: **14 Years**

(21) Appl. No.: **29/223,183**

(22) Filed: **Feb. 10, 2005**

(51) **LOC (8) Cl.** ..... **23-01**

(52) **U.S. Cl.** ..... **D23/233**

(58) **Field of Classification Search** ..... D23/233-239,  
D23/244-250; 251/14, 315, 309-310, 315.14,  
251/335.5, 315.01, 315.1; 137/625.22, 172-174,  
137/219, 554

See application file for complete search history.

(56) **References Cited**

**U.S. PATENT DOCUMENTS**

D242,350 S	*	11/1976	Kann	.....	D23/245
D327,531 S	*	6/1992	Ko	.....	D23/250
D372,299 S	*	7/1996	Fabian	.....	D23/250
D388,864 S	*	1/1998	Fabian	.....	D23/250

D430,272 S	*	8/2000	Hung-Lin	.....	D23/245
D448,454 S	*	9/2001	Lai	.....	D23/245
D458,665 S	*	6/2002	Lai	.....	D23/233
D473,931 S	*	4/2003	Lai	.....	D23/245
D478,650 S	*	8/2003	Lai	.....	D23/233

\* cited by examiner

*Primary Examiner*—Ian Simmons

*Assistant Examiner*—Maurice Stevens

(74) *Attorney, Agent, or Firm*—Alan D. Kamrath; Nikolai & Mersereau, P.A.

(57) **CLAIM**

The ornamental design for a switch valve, as shown and described.

**DESCRIPTION**

FIG. 1 is a perspective view of a switch valve showing my design;

FIG. 2 is a front elevational view thereof;

FIG. 3 is a rear elevational view thereof;

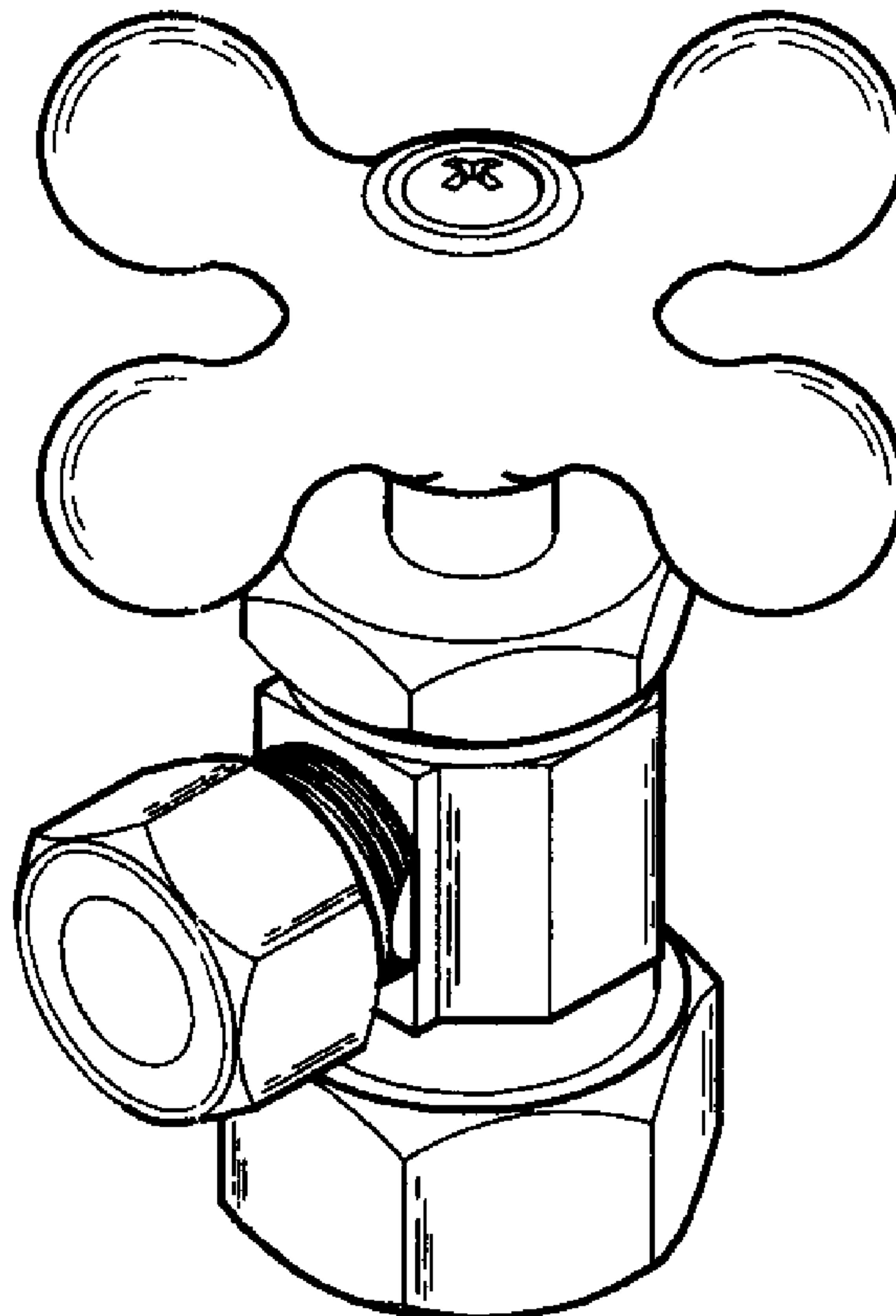
FIG. 4 is a left side elevational view thereof;

FIG. 5 is a right side elevational view thereof;

FIG. 6 is a top plan view thereof; and,

FIG. 7 is a bottom plan view thereof.

**1 Claim, 4 Drawing Sheets**



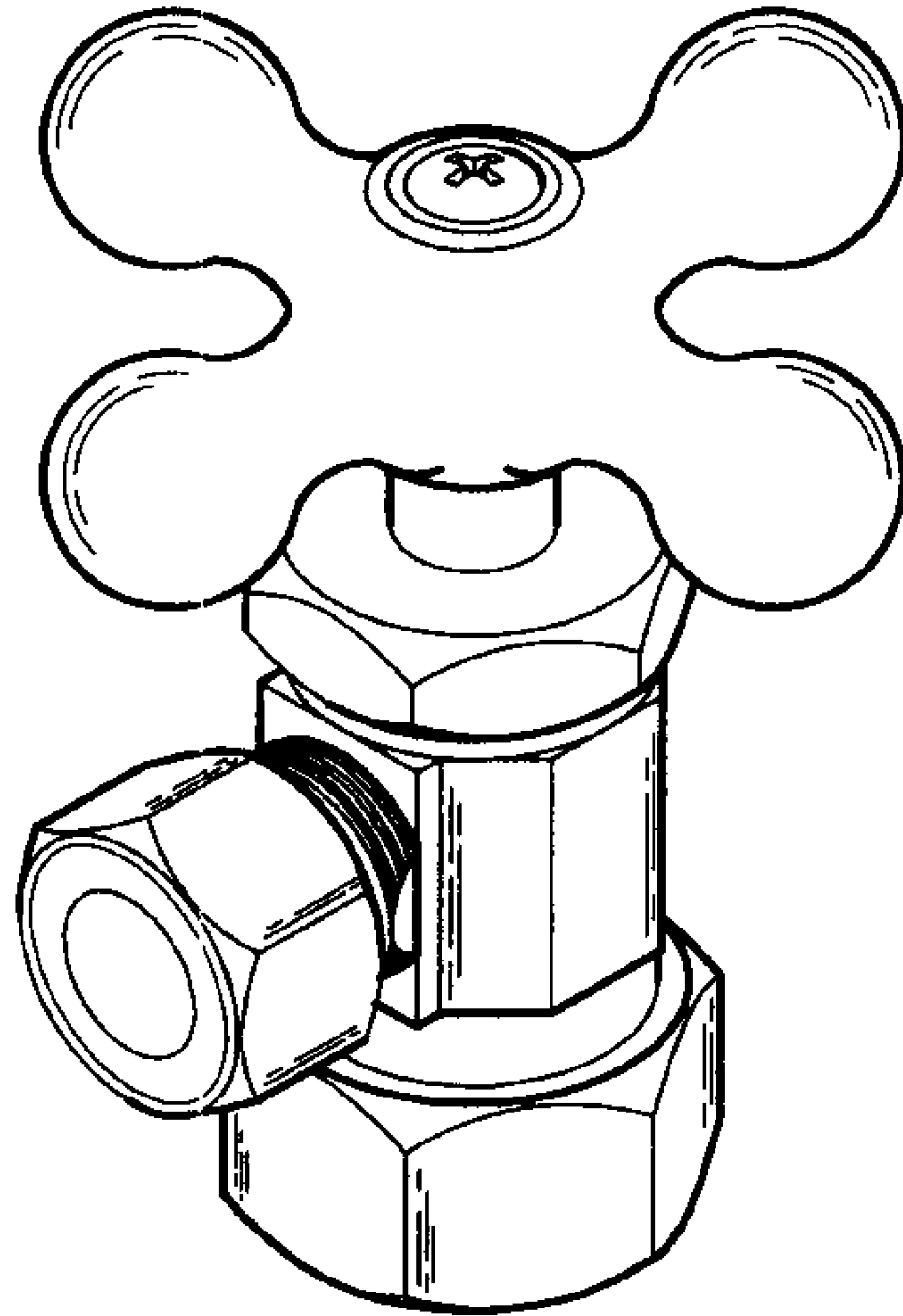


FIG. 1

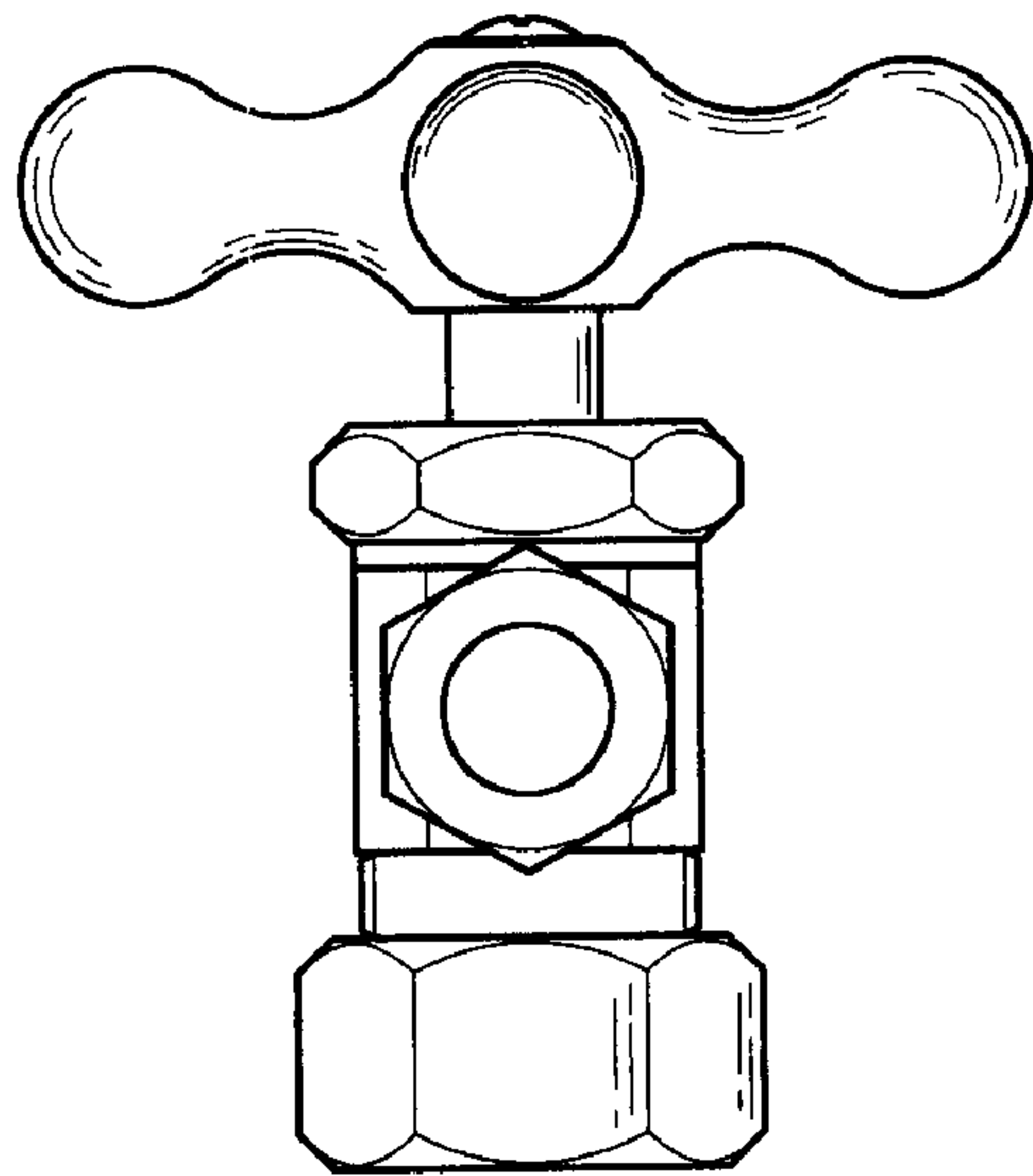


FIG. 2

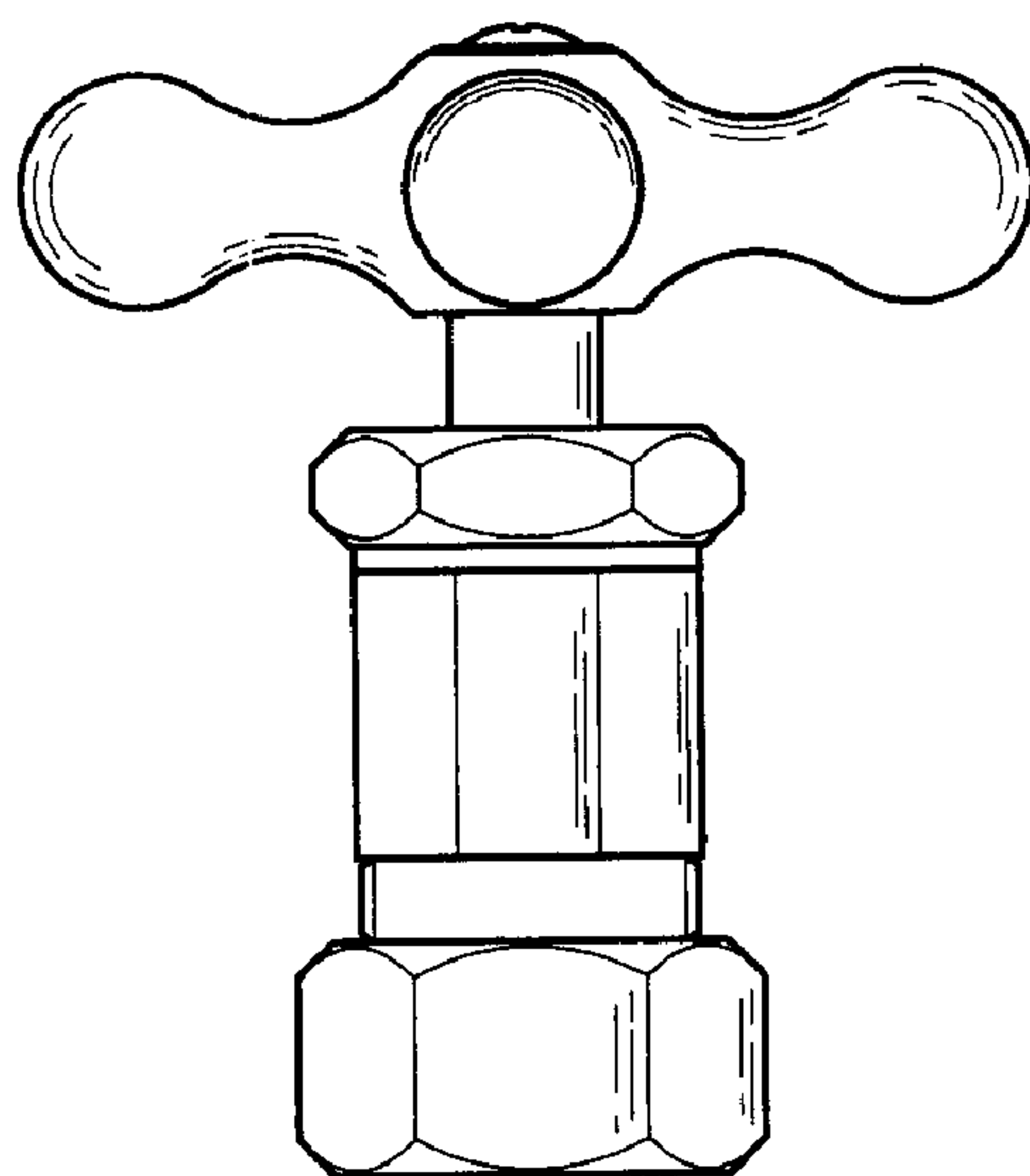


FIG. 3

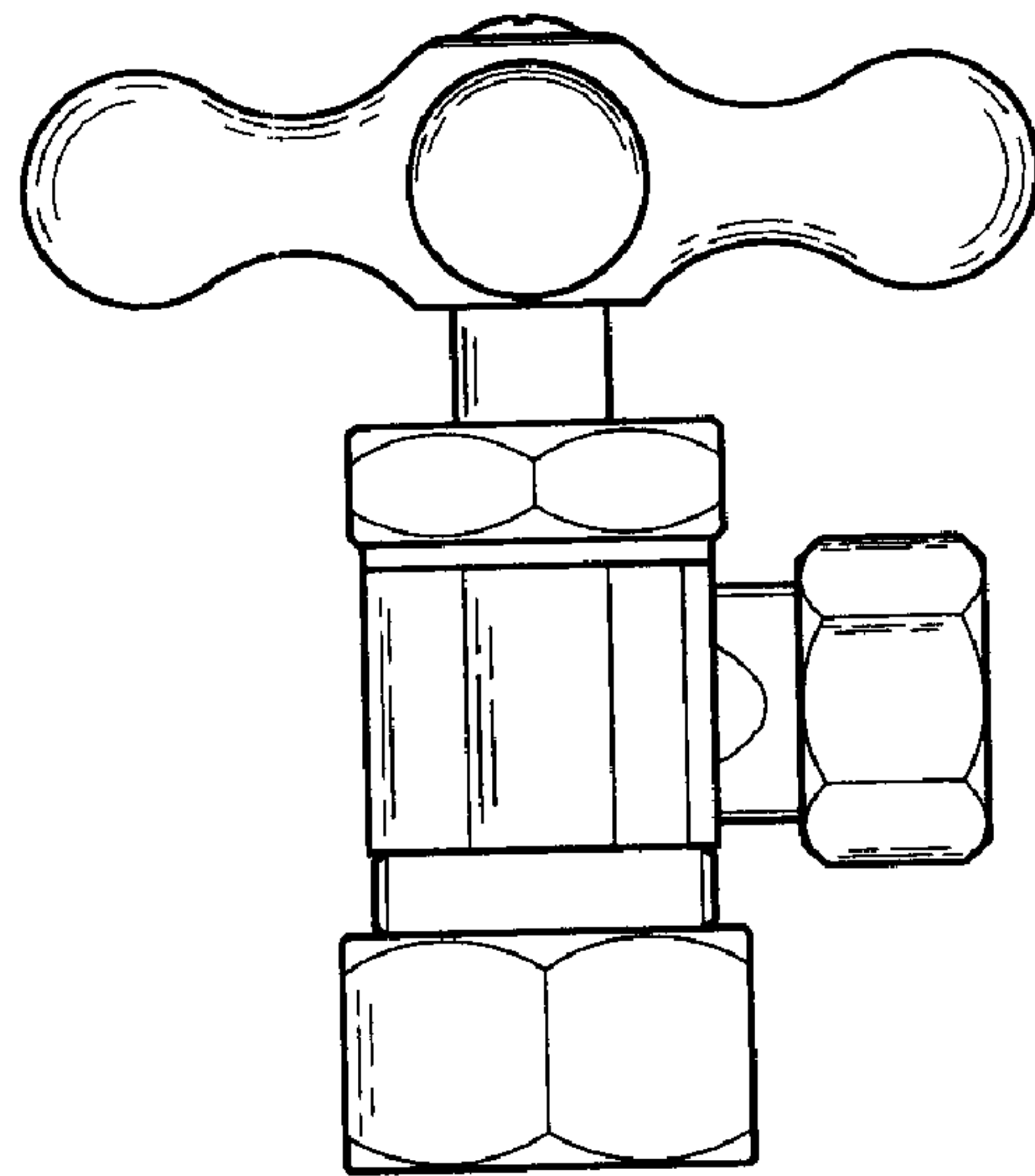


FIG. 4

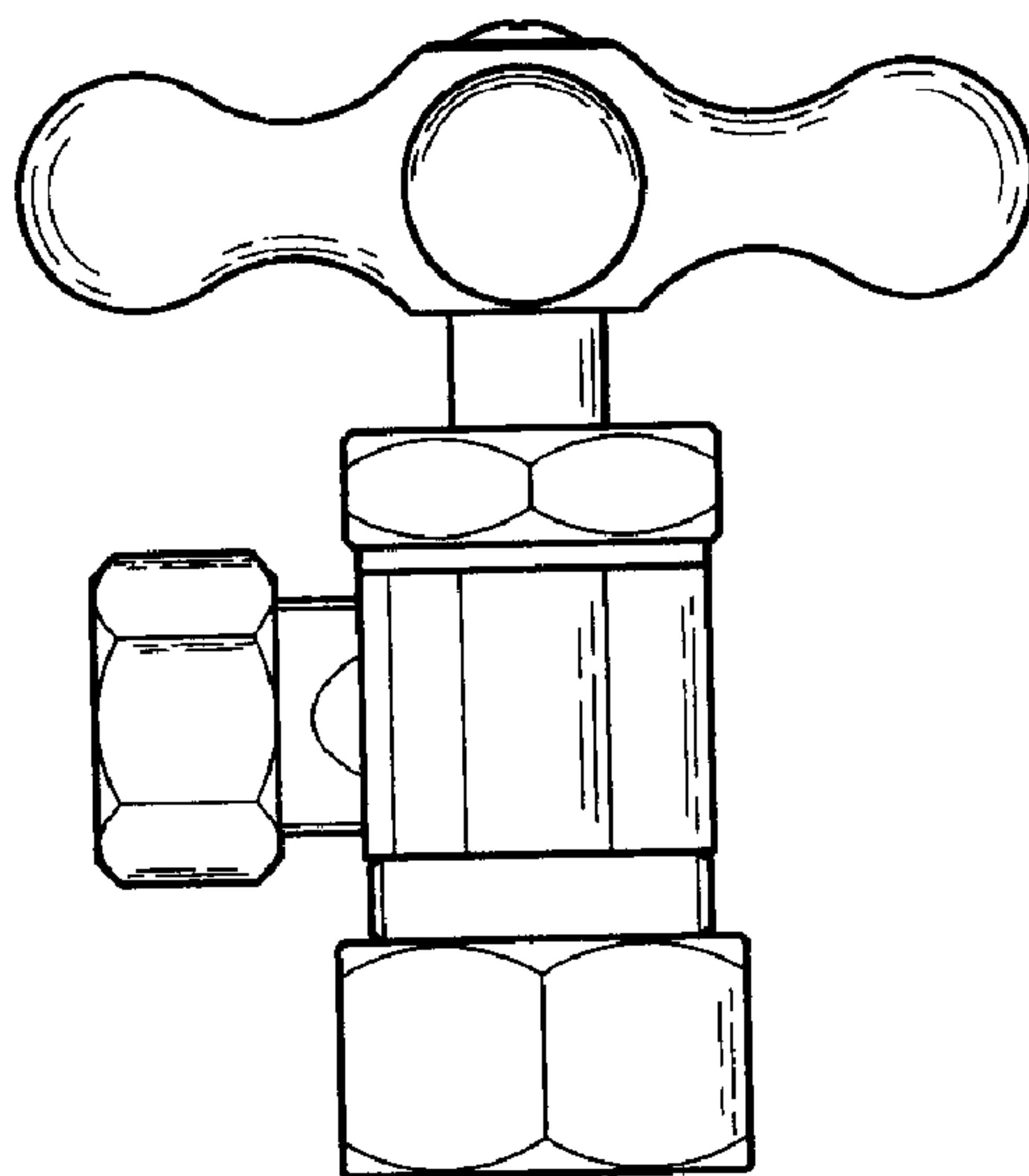


FIG. 5

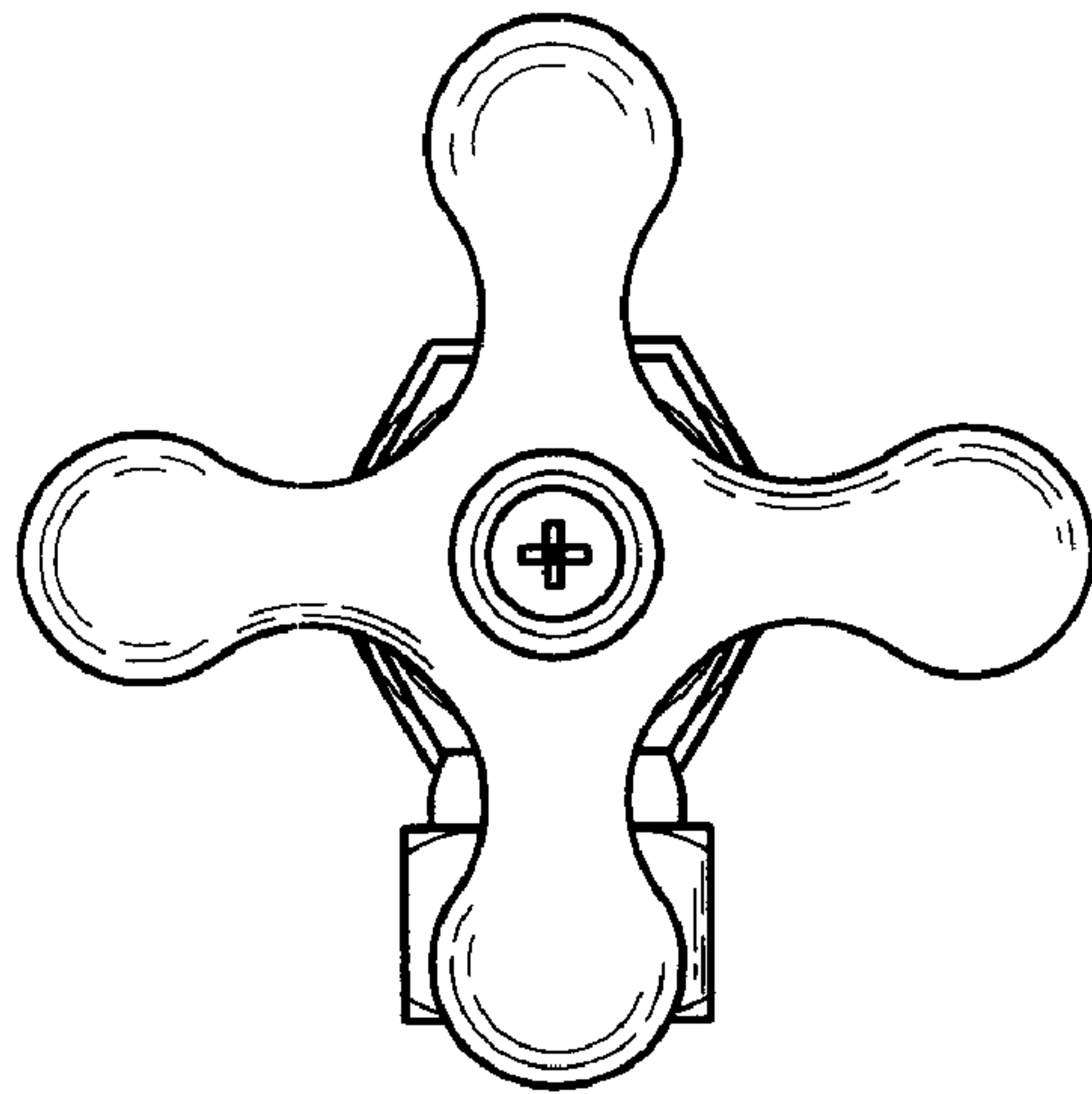


FIG. 6

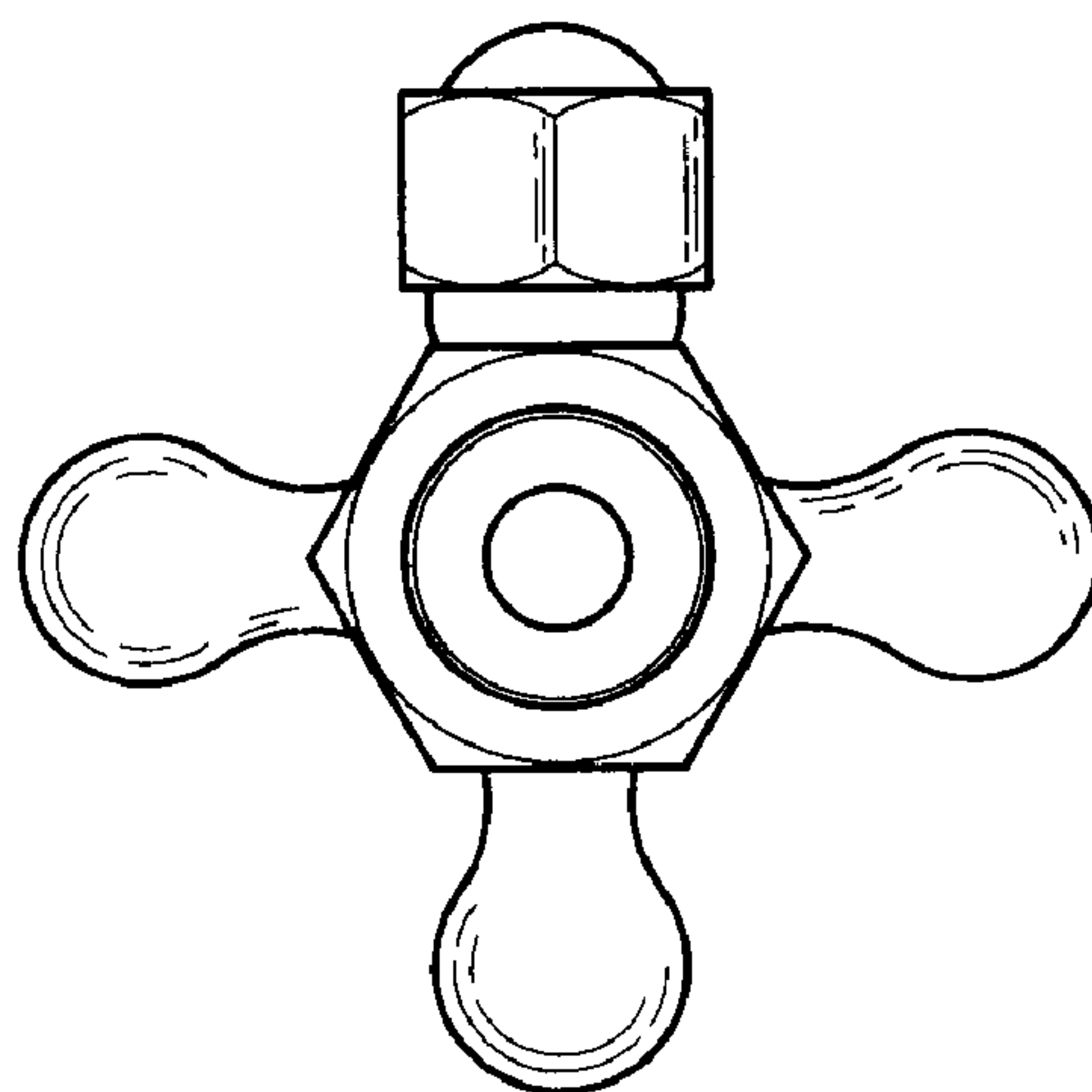


FIG. 7