

US00D526385S

(12) **United States Design Patent**
Johnson et al.

(10) **Patent No.:** **US D526,385 S**

(45) **Date of Patent:** **** Aug. 8, 2006**

(54) **VALVE HEAD**

(75) Inventors: **Raymond Ford Johnson**, White Oak, TX (US); **Markley Dean Johnson**, Gladewater, TX (US); **Rodney Grage**, Lindale, TX (US)

(73) Assignee: **LJC Technologies, LLC**, Tyler, TX (US)

(**) Term: **14 Years**

(21) Appl. No.: **29/218,918**

(22) Filed: **Dec. 9, 2004**

(51) **LOC (8) Cl.** **23-01**

(52) **U.S. Cl.** **D23/233**

(58) **Field of Classification Search** D23/207-209, D23/233-237, 244-249; 4/231, 223, 225.1, 4/227.1; 210/455-456, 338, 437, 304, 497.01, 210/440, 443, 444; 137/542, 541, 543.13, 137/543.17

See application file for complete search history.

(56) **References Cited**

U.S. PATENT DOCUMENTS

2,682,812 A * 7/1954 Mathewson 209/270

3,497,180 A * 2/1970 Ryen 251/192
D238,875 S * 2/1976 Berry et al. D23/207
D398,955 S * 9/1998 Shimizu D23/235
2006/0006110 A1 * 1/2006 Pas et al. 210/338

* cited by examiner

Primary Examiner—Marcus A. Jackson

Assistant Examiner—Maurice Stevens

(74) *Attorney, Agent, or Firm*—Scott L. Harper; Carstena & Cahoon, LLP

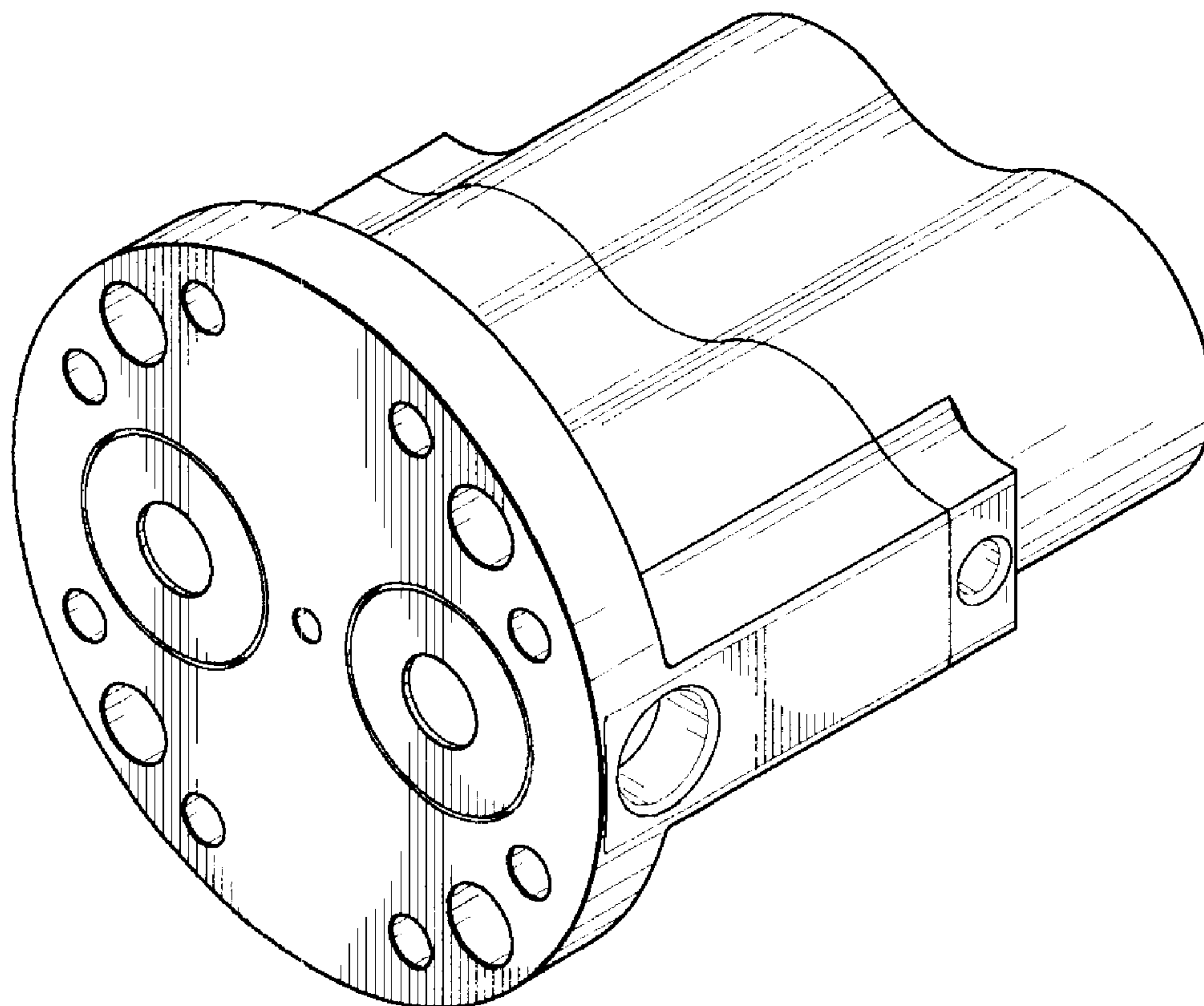
(57) **CLAIM**

The ornamental design for a valve head, as shown and described.

DESCRIPTION

FIG. 1 is a perspective view of the present invention; FIG. 2 is a front elevation view of the present invention; FIG. 3 is a left side elevation view, with the right side elevation view a mirror image of the left side elevation view of the present invention; FIG. 4 is a rear elevation view of the present invention; and, FIG. 5 is a top elevation view of the present invention, with the bottom elevation view a mirror image of the top elevation view.

1 Claim, 2 Drawing Sheets



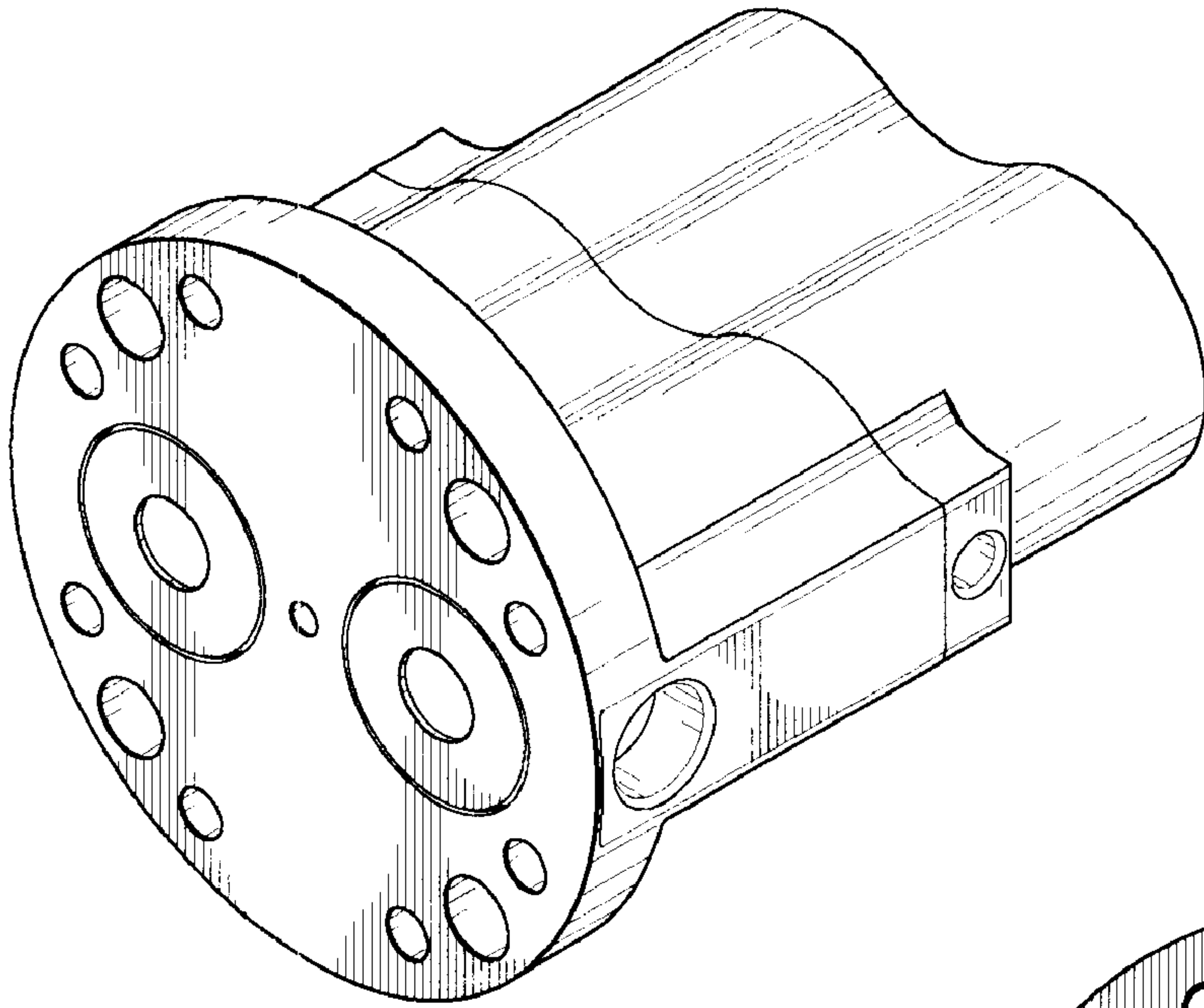


FIG. 1

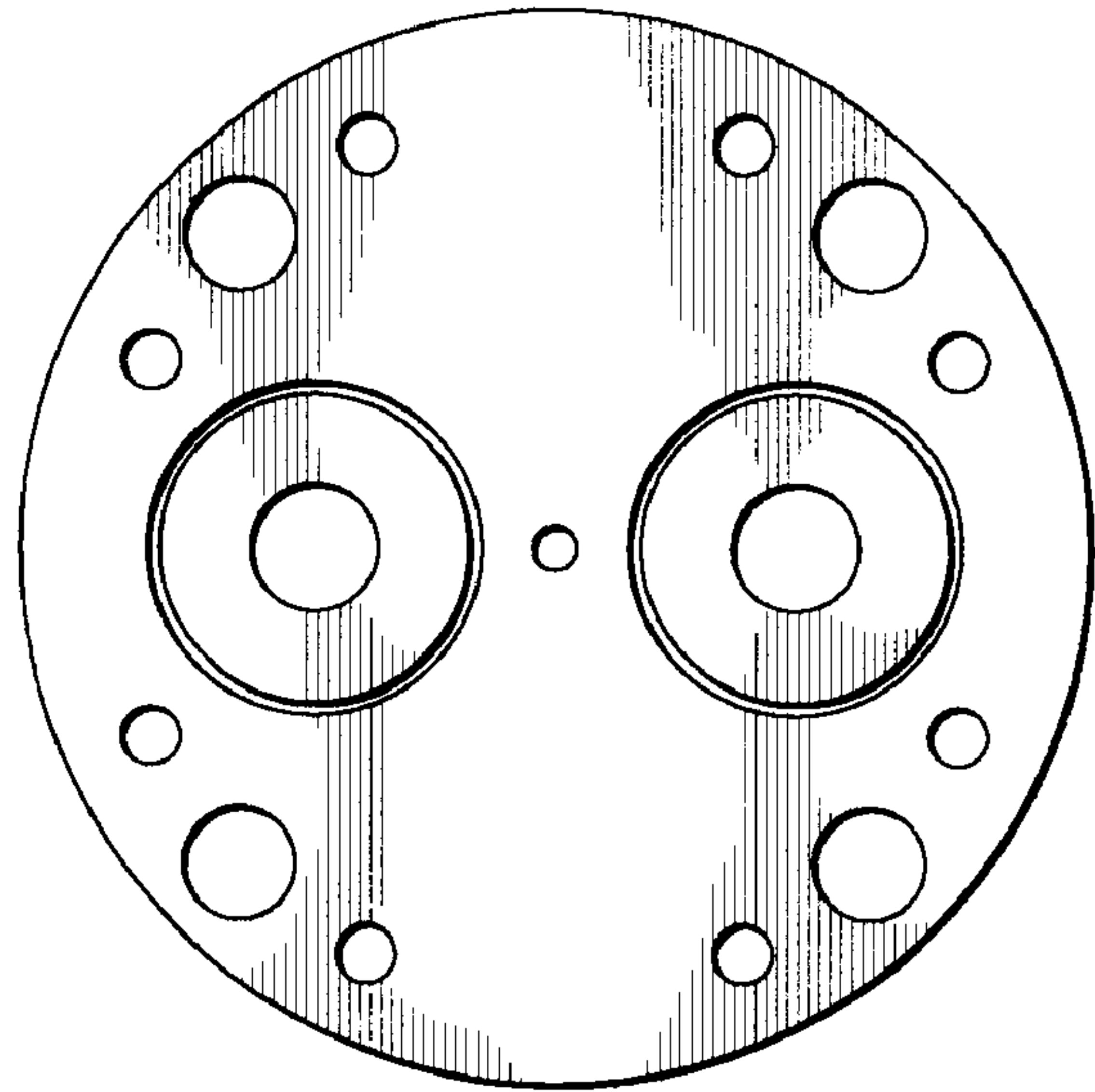


FIG. 2

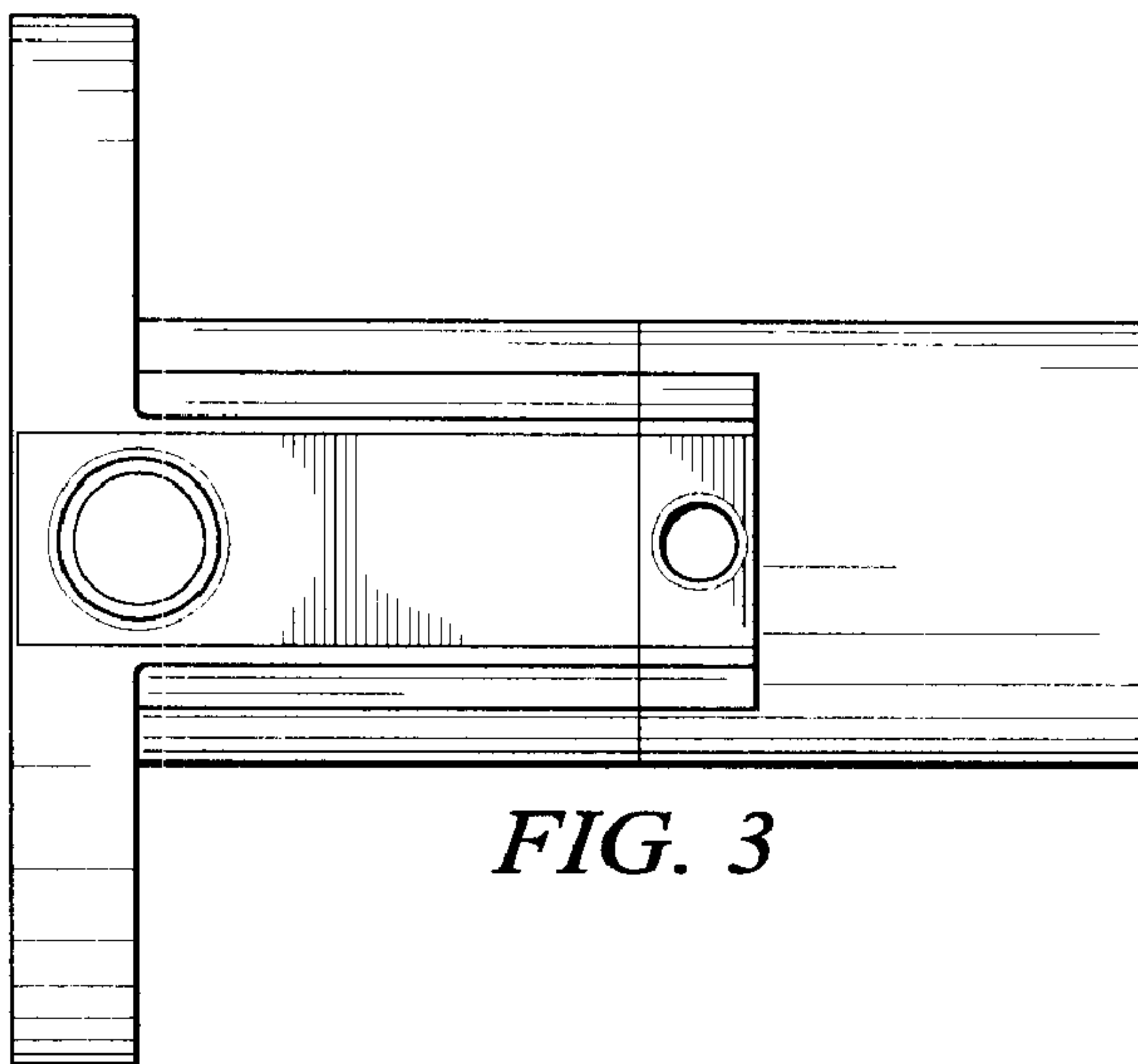


FIG. 3

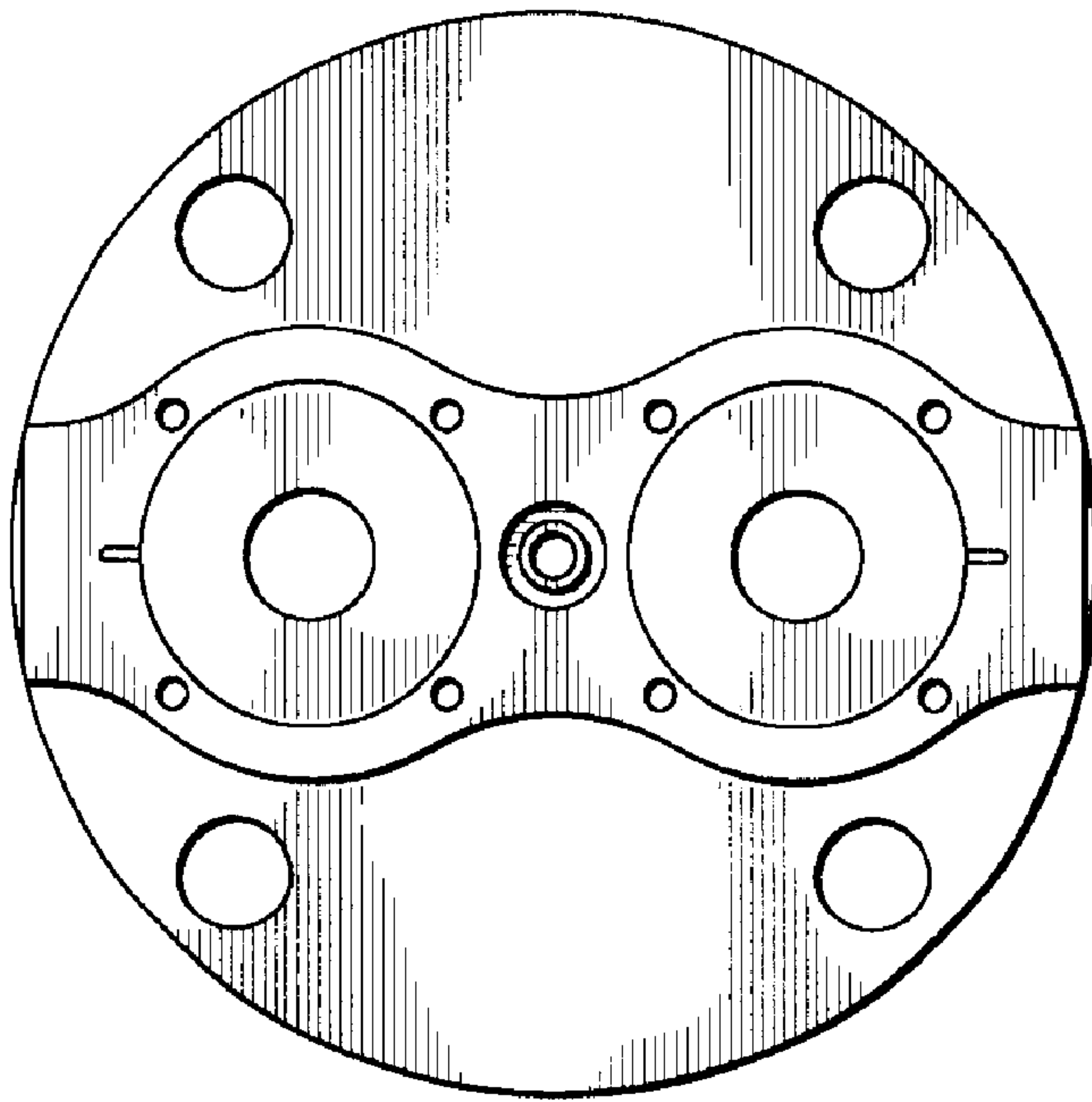


FIG. 4

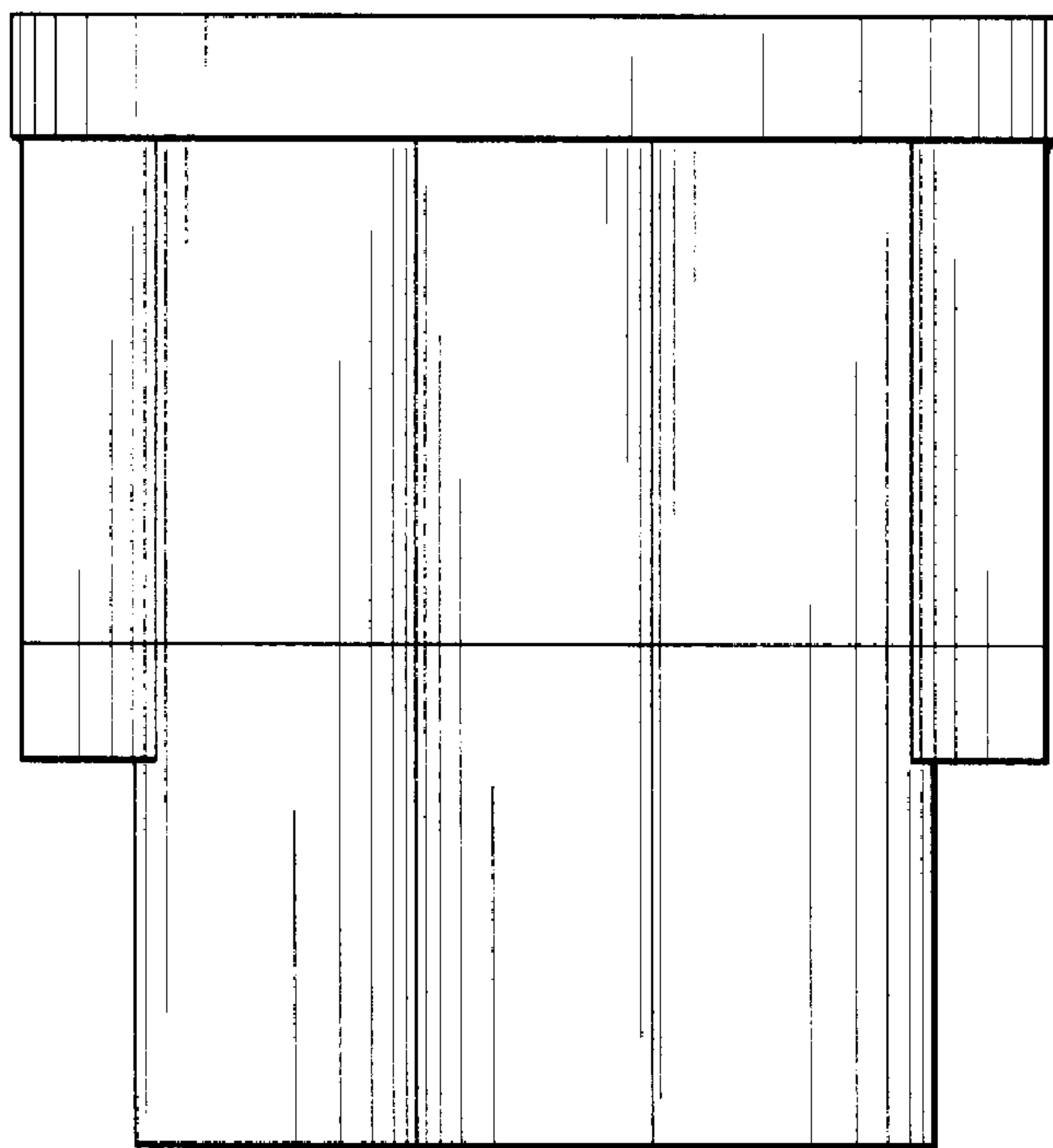


FIG. 5