



US00D526383S

(12) **United States Design Patent** (10) **Patent No.:** **US D526,383 S**  
**Byerly** (45) **Date of Patent:** **\*\* Aug. 8, 2006**

(54) **ADHESIVE FILTER**

D434,784 S 12/2000 Raterman  
D462,738 S 9/2002 Byerly  
D500,836 S \* 1/2005 Nishi et al. .... D23/209

(75) Inventor: **David J. Byerly**, Lawrenceville, GA  
(US)

\* cited by examiner

(73) Assignee: **Nordson Corporation**, Westlake, OH  
(US)

*Primary Examiner*—Robin Webster  
(74) *Attorney, Agent, or Firm*—Raymond J. Slattery, III

(\*\*) Term: **14 Years**

(57) **CLAIM**

(21) Appl. No.: **29/214,497**

I claim the ornamental design for an adhesive filter, as shown and described.

(22) Filed: **Oct. 4, 2004**

**DESCRIPTION**

(51) **LOC (8) Cl.** ..... **23-01**

(52) **U.S. Cl.** ..... **D23/209; D15/144.1**

(58) **Field of Classification Search** ..... D23/209,  
D23/365; D15/144.1, 144.2; 210/107, 108,  
210/184

See application file for complete search history.

FIG. 1 is a front elevational view of a new design for an adhesive filter, the opposite side view being a mirror image thereof;

FIG. 2 is a top view;

FIG. 3 is a right side elevational view, the opposite side view being a mirror image thereof;

FIG. 4 is a bottom view; and

FIG. 5 is a partial perspective view;

FIG. 6 is a top view of an alternative embodiment of an adhesive filter having the elevational views of FIGS. 1 and 3, and the bottom view of the FIG. 4; and,

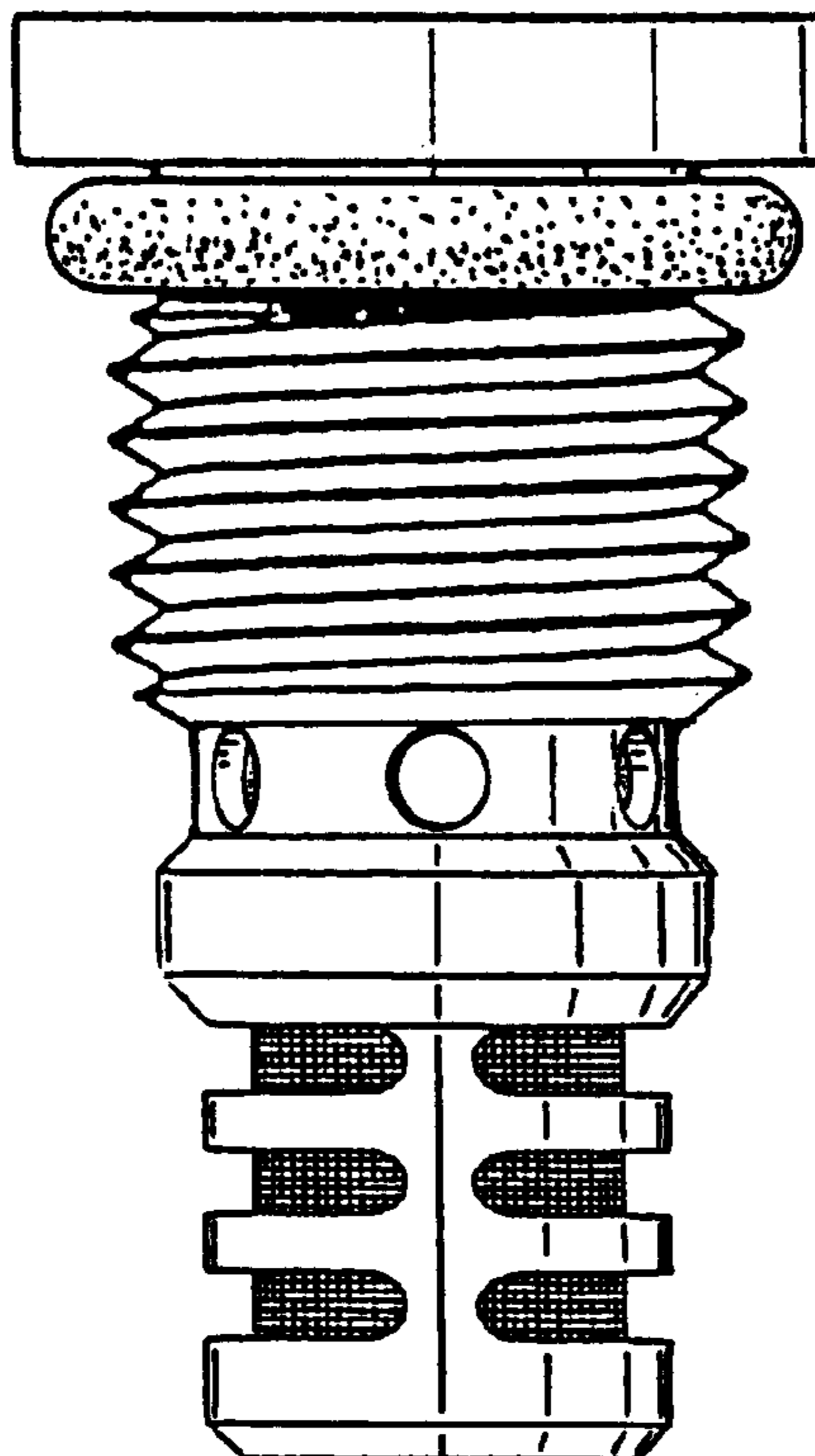
FIG. 7 is a partial perspective view according to the top view of FIG. 6.

(56) **References Cited**

U.S. PATENT DOCUMENTS

4,734,188	A	*	3/1988	Burdette et al. ....	210/107
5,171,433	A	*	12/1992	Rosenberg .....	210/108
D409,634	S	*	5/1999	Byerly et al. ....	D15/144.1
D418,848	S		1/2000	Raterman	
D420,024	S		2/2000	Raterman	
6,082,627	A		7/2000	Raterman	

**1 Claim, 1 Drawing Sheet**



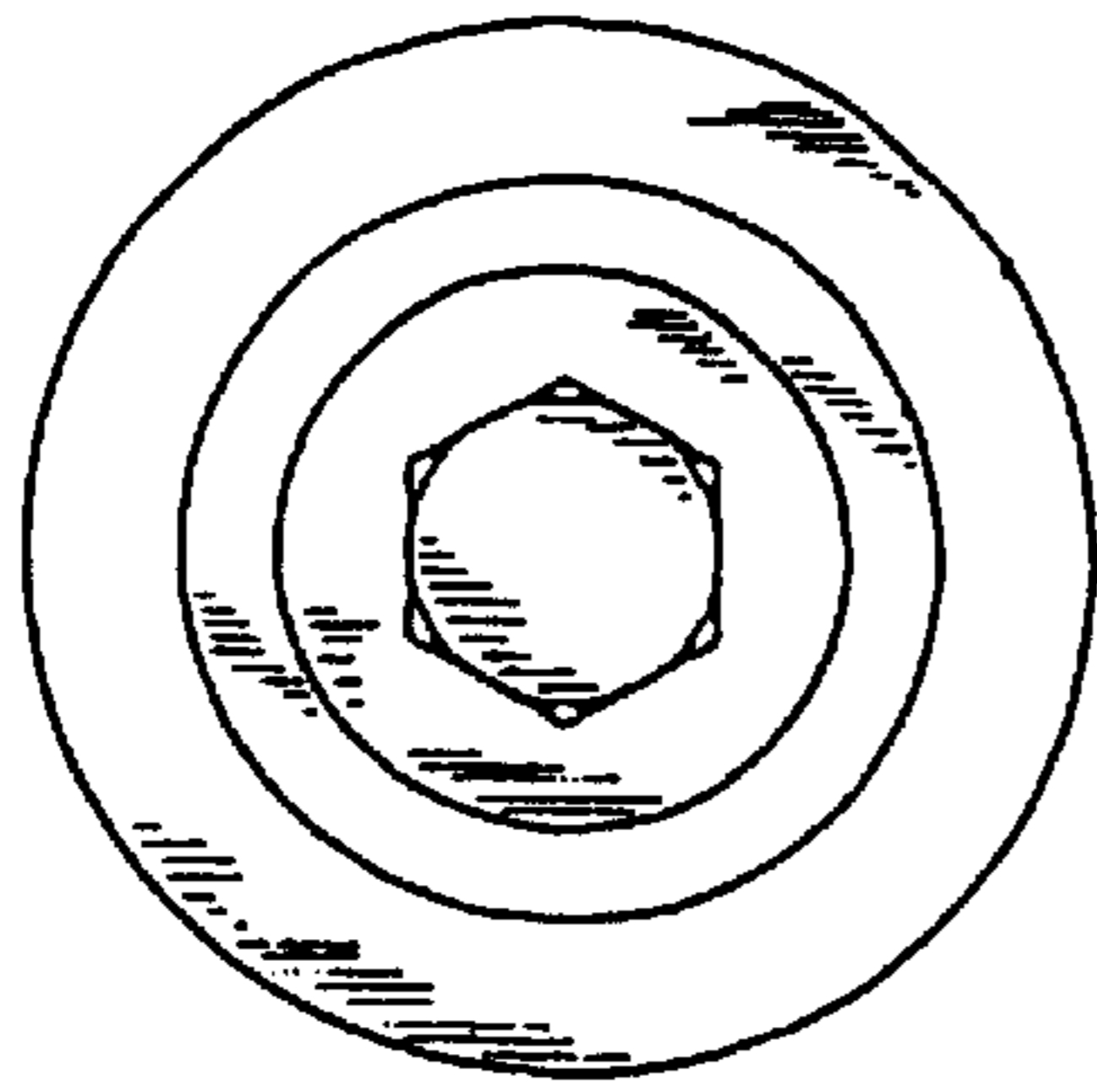


FIG. -2

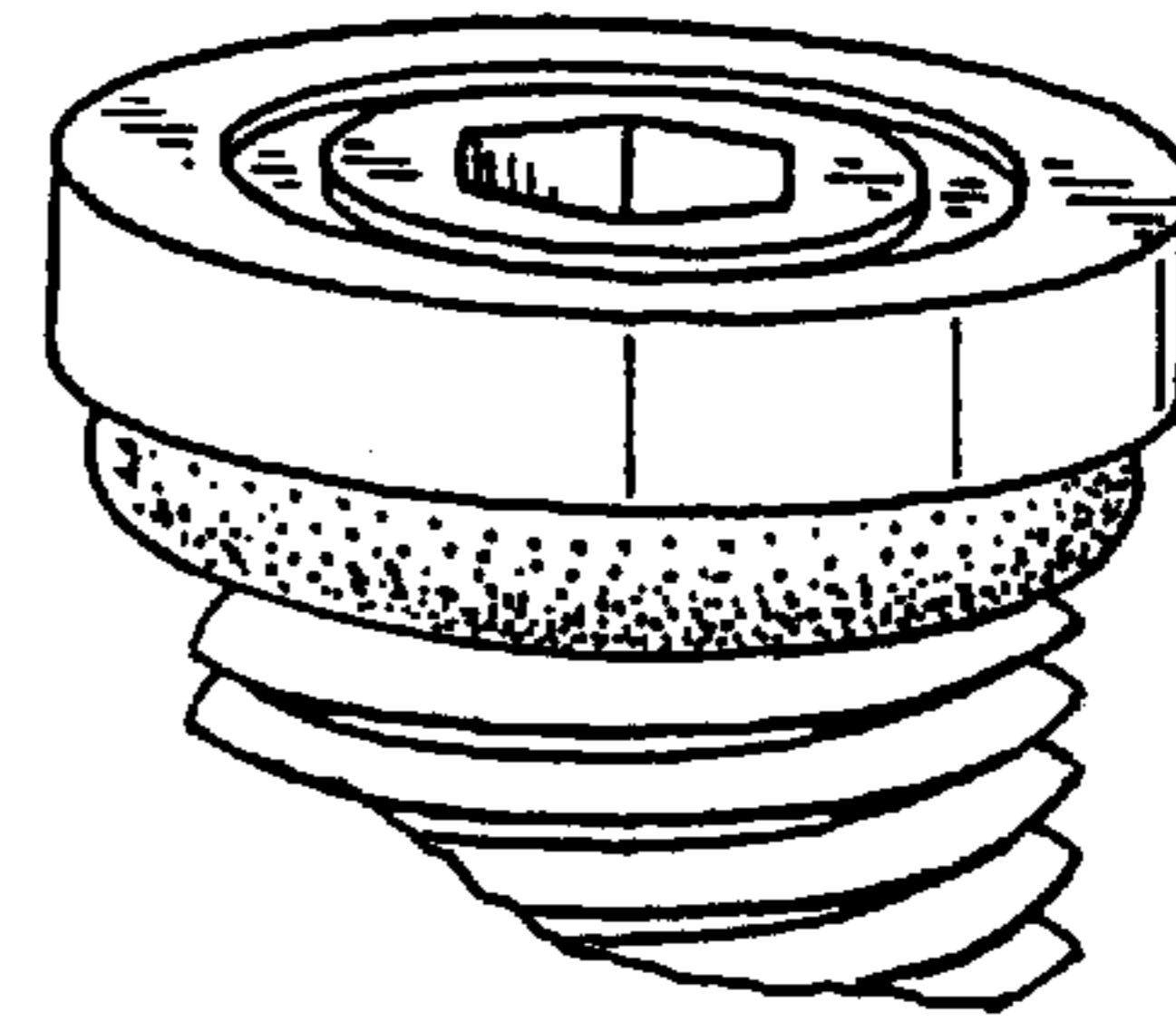


FIG. -5

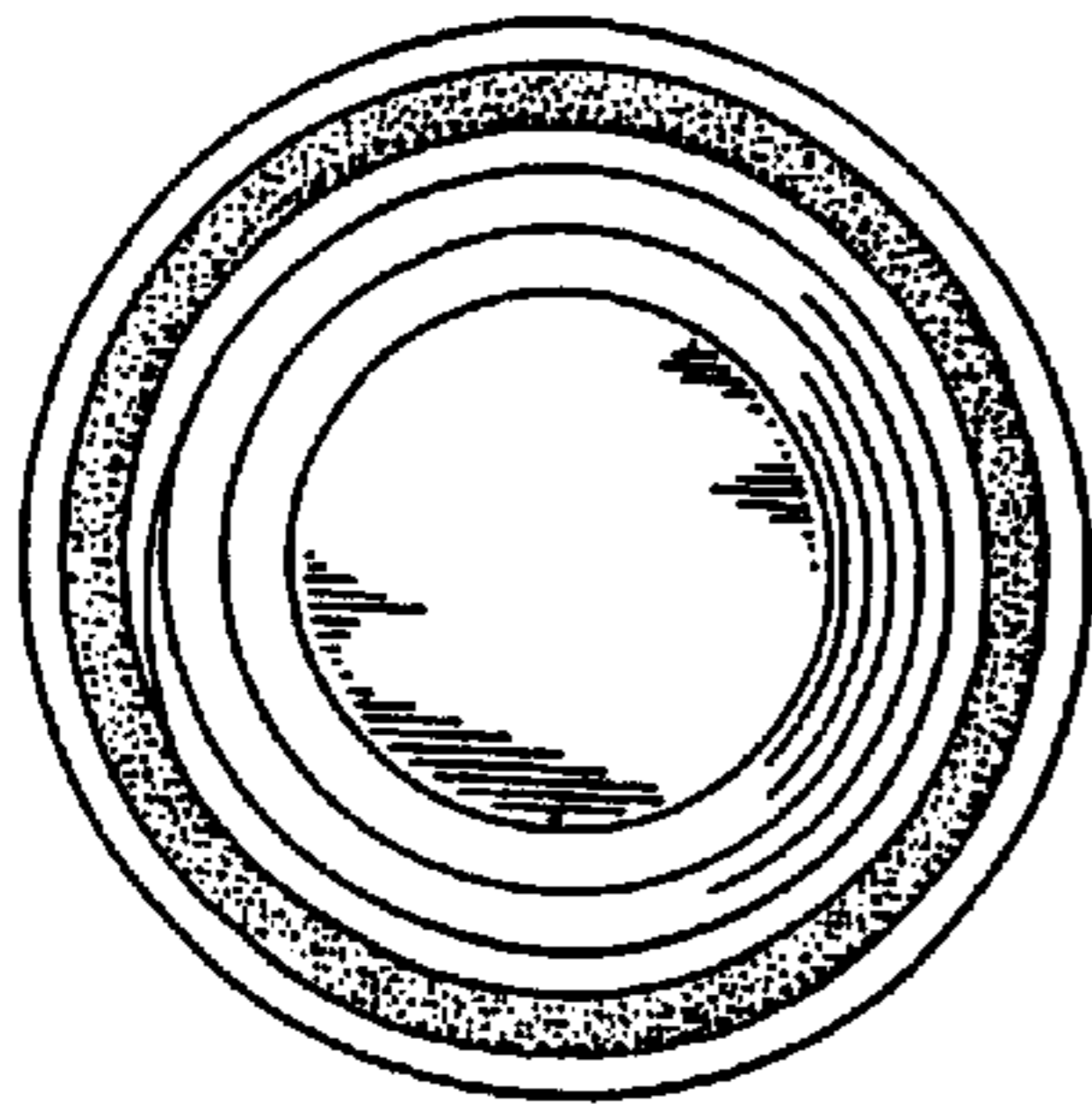


FIG. -4

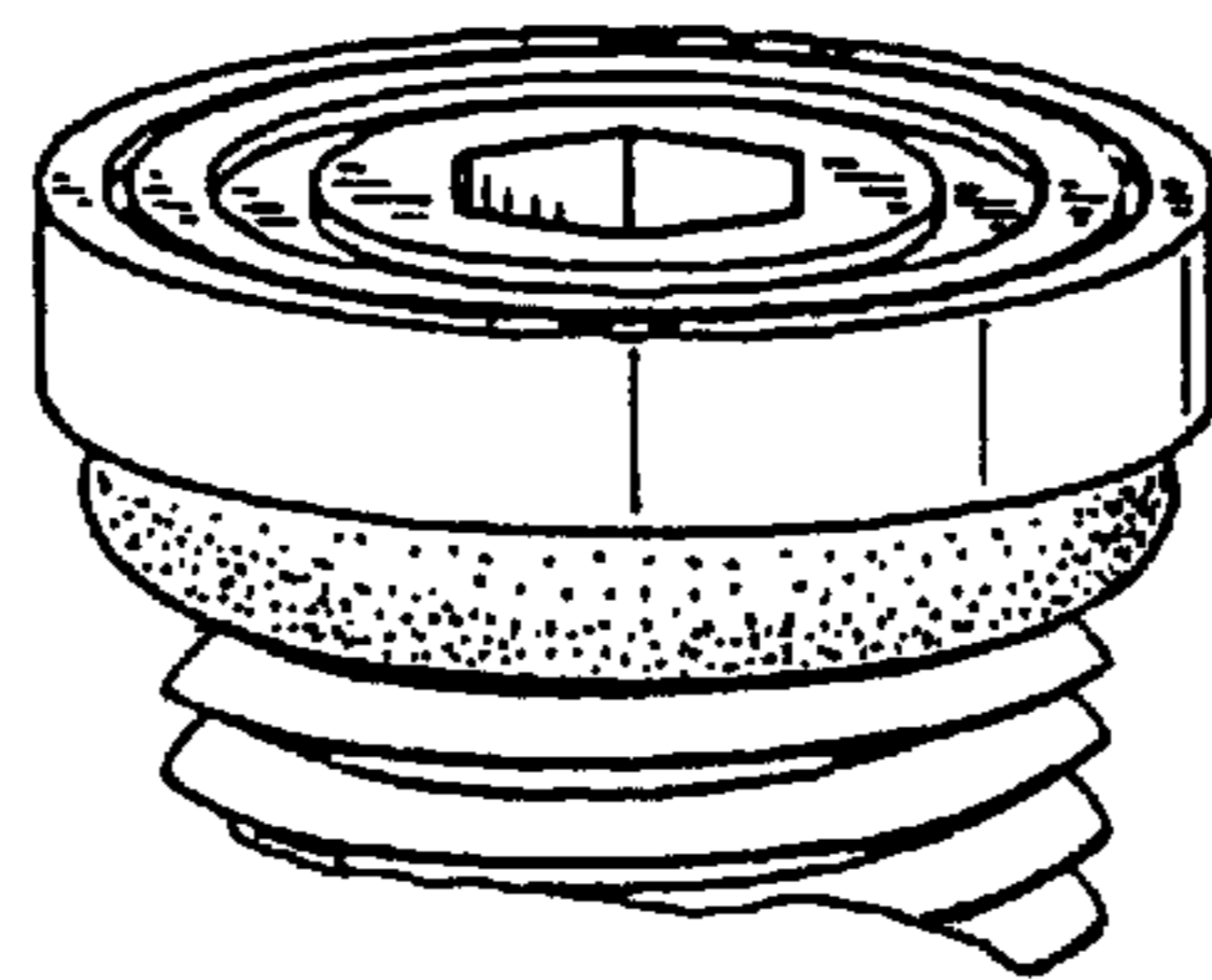


FIG. -7

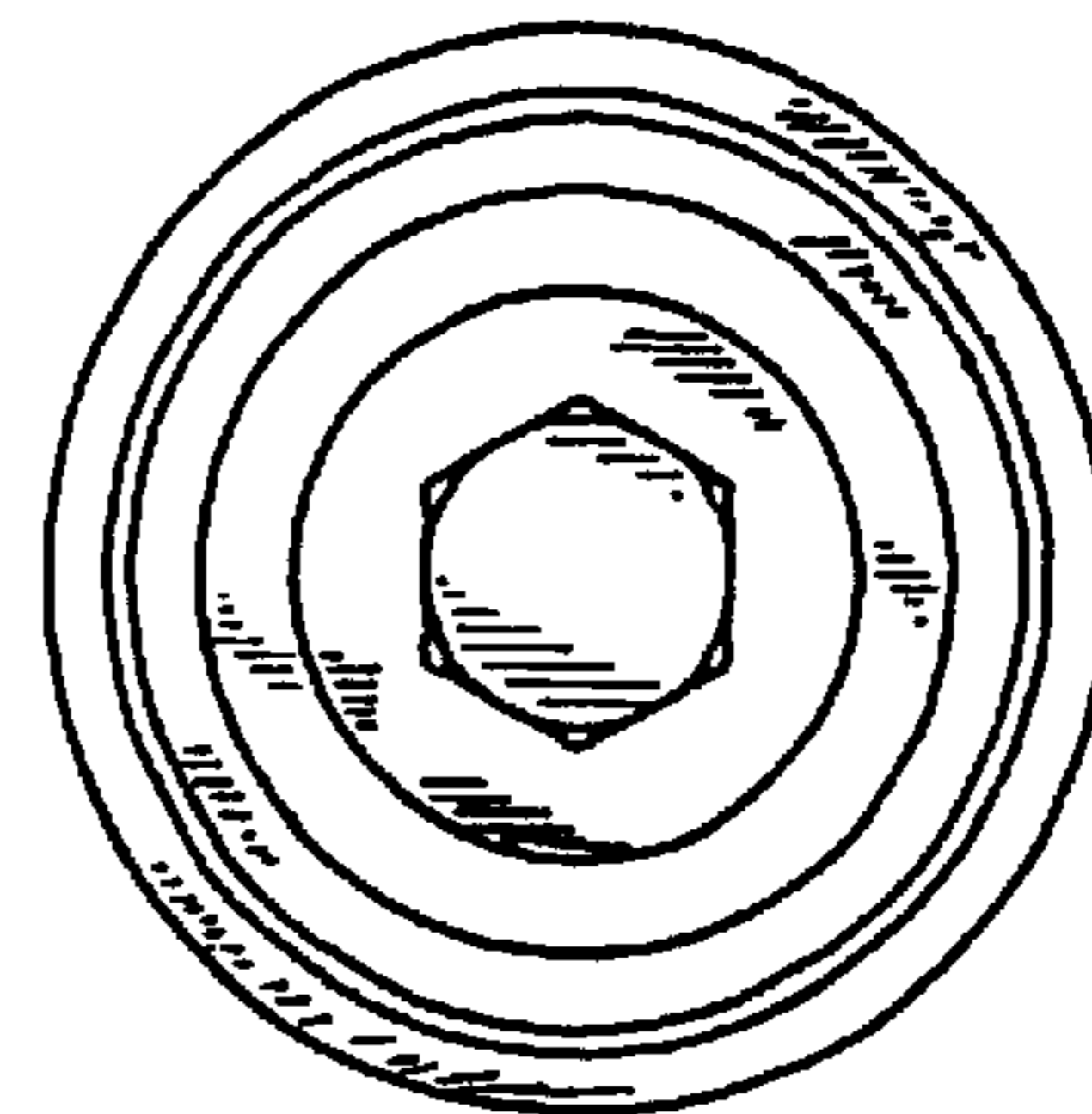


FIG. -6

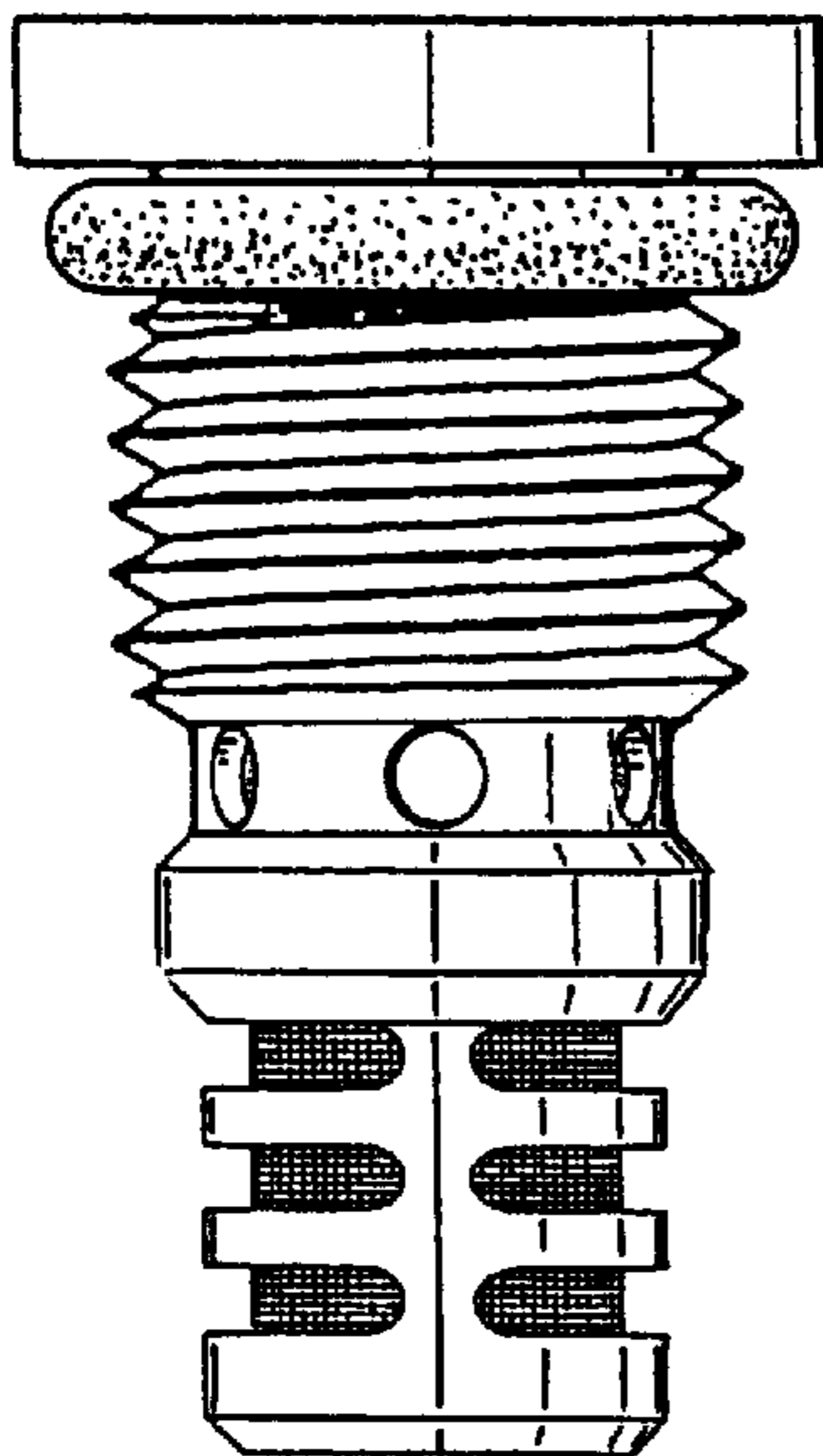


FIG. -1

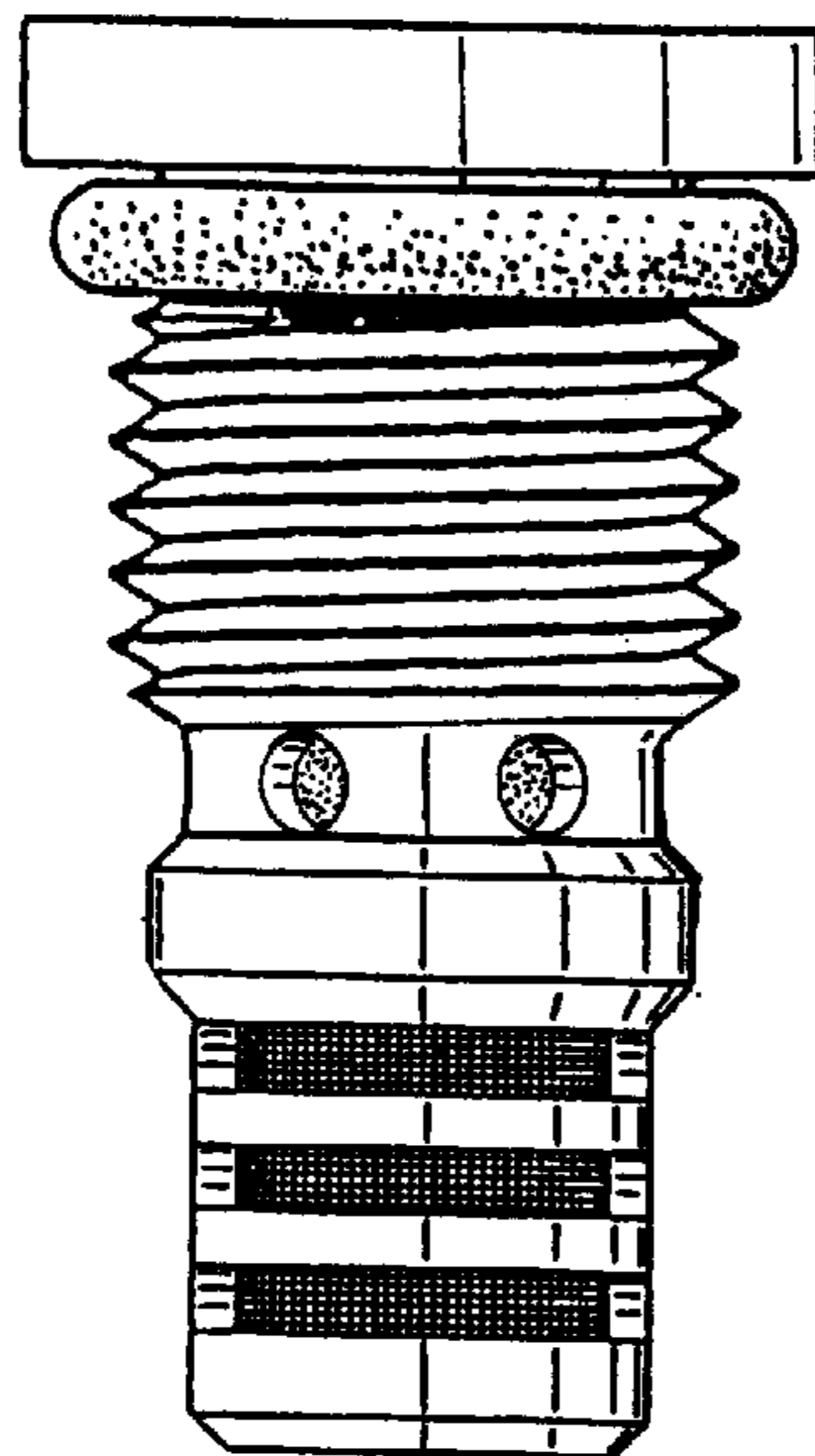


FIG. -3