



US00D526379S

(12) **United States Design Patent**  
**Peterson**

(10) **Patent No.:** **US D526,379 S**

(45) **Date of Patent:** **\*\* Aug. 8, 2006**

(54) **INFLATABLE TOWABLE WATER KITE**

OTHER PUBLICATIONS

(75) Inventor: **Leroy L. Peterson**, Omaha, NE (US)

Overton's Catalog, Spring Edition 1999, p. 197, 'Islander Lounge', located in the center of page.\*

(73) Assignee: **Sportsstuff, Inc.**, Omaha, NE (US)

Bart's Catalog 1987, p. 29, 'Hi-Planar Water Ski Tube', located in the top left corner of page.\*

(\*\*) Term: **14 Years**

Overton's Catalog, Edition #10 1998, p. 32, 'Screamer', located in the top left corner of page.\*

(21) Appl. No.: **29/241,905**

Ski Limited 2003, p. 21, 'Shockwave Closed Top Tube', located on the right side of page.\*

(22) Filed: **Nov. 2, 2005**

\* cited by examiner

(51) **LOC (8) Cl.** ..... **12-02**

(52) **U.S. Cl.** ..... **D21/803**

*Primary Examiner*—Caron D. Veynar

(58) **Field of Classification Search** ..... D21/769-770,  
D21/801, 803, 809; D6/392, 596, 601, 604;  
472/128-129; D12/5, 6, 316; 114/253, 345-346;  
441/35, 66, 40-42, 129-132

*Assistant Examiner*—Zenia I Bennett

(74) *Attorney, Agent, or Firm*—Sturm & Fix LLP

See application file for complete search history.

(57) **CLAIM**

The ornamental design for an inflatable towable water kite, as shown and described.

(56) **References Cited**

**DESCRIPTION**

U.S. PATENT DOCUMENTS

FIG. 1 is a perspective view of the inflatable towable water kite showing my new design;

FIG. 2 is a top plan view thereof;

FIG. 3 is a right side elevational view thereof, the left side elevational view being identical thereto;

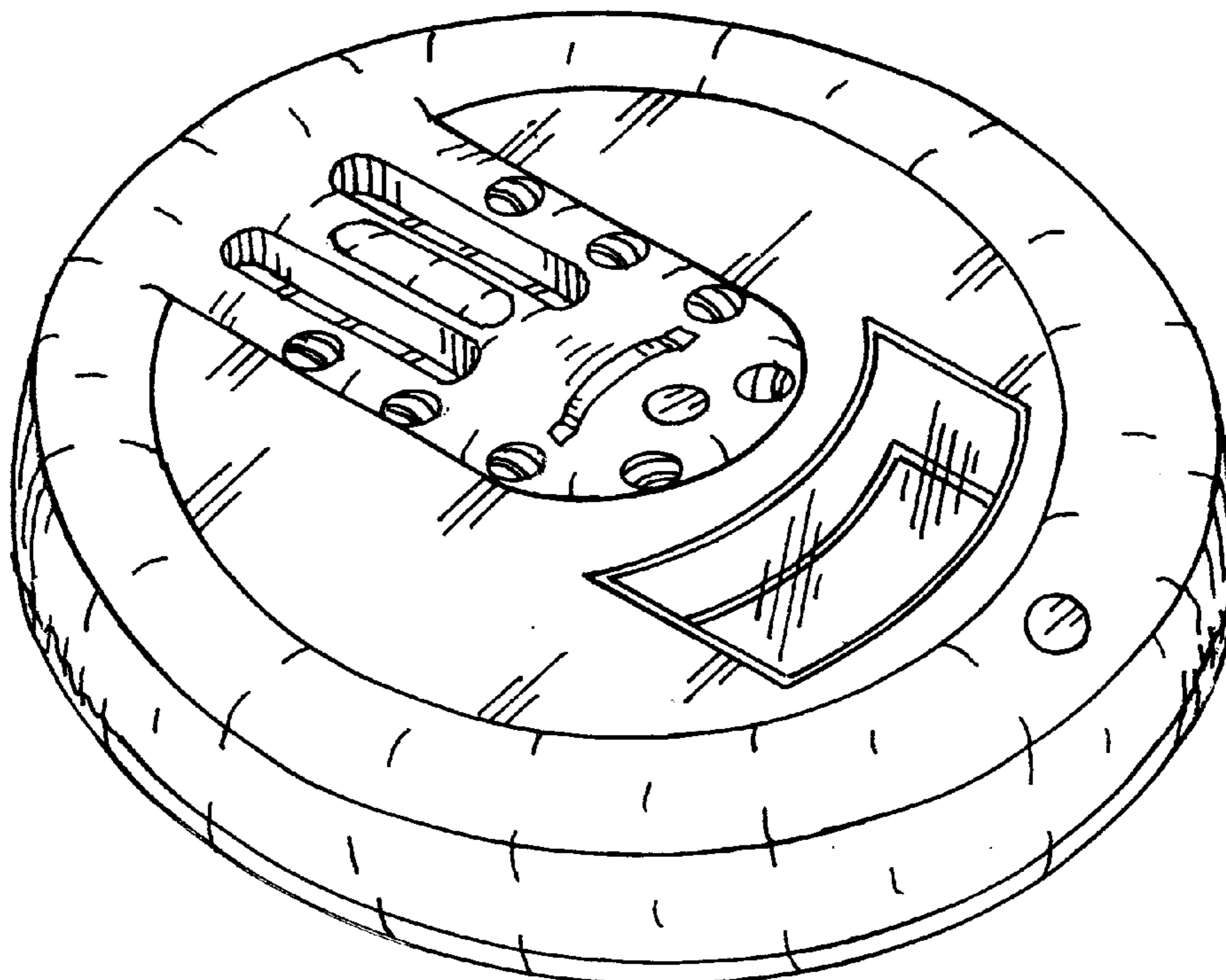
FIG. 4 is a bottom plan view thereof;

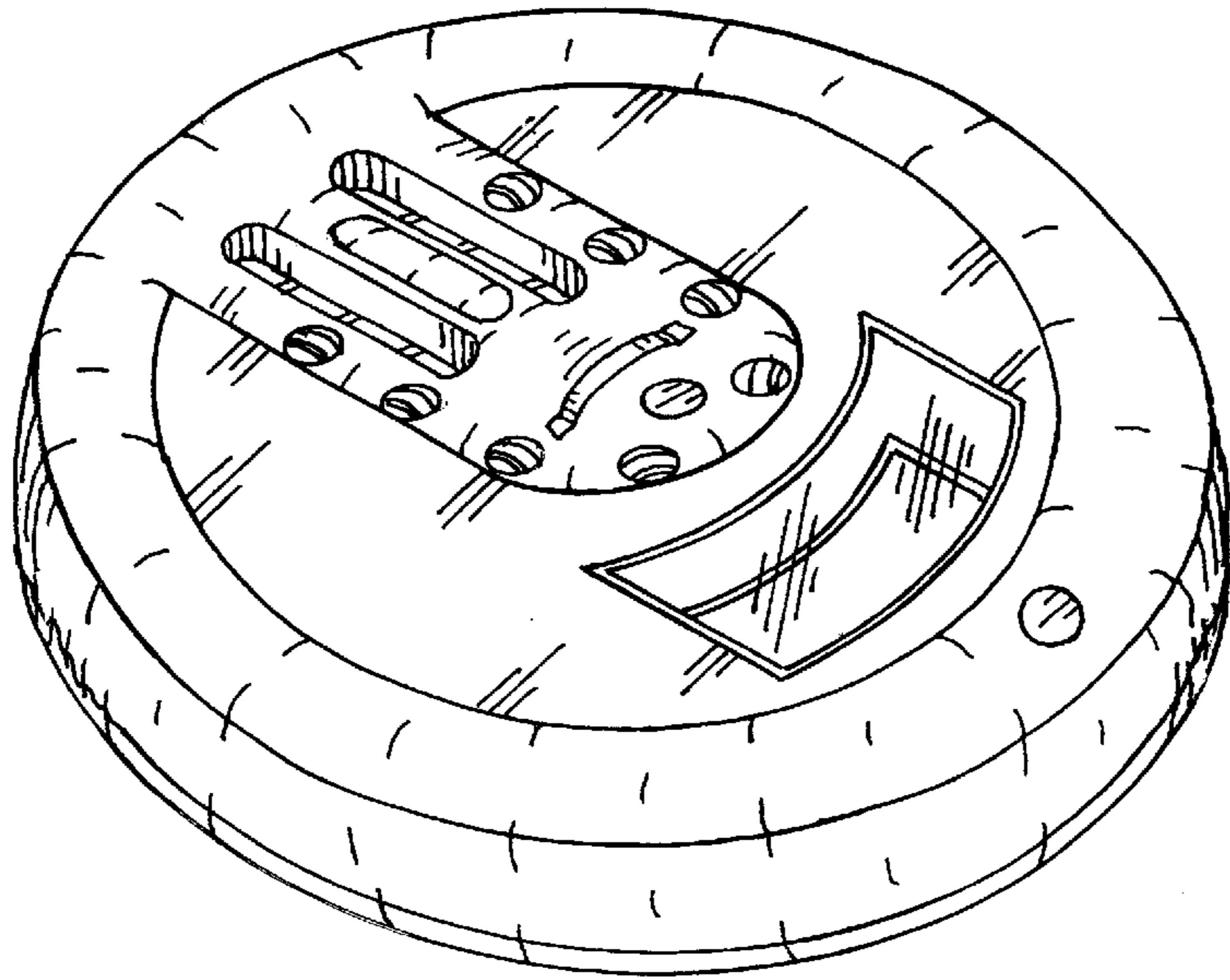
FIG. 5 is a front elevational view thereof; and,

FIG. 6 is a rear elevational view thereof.

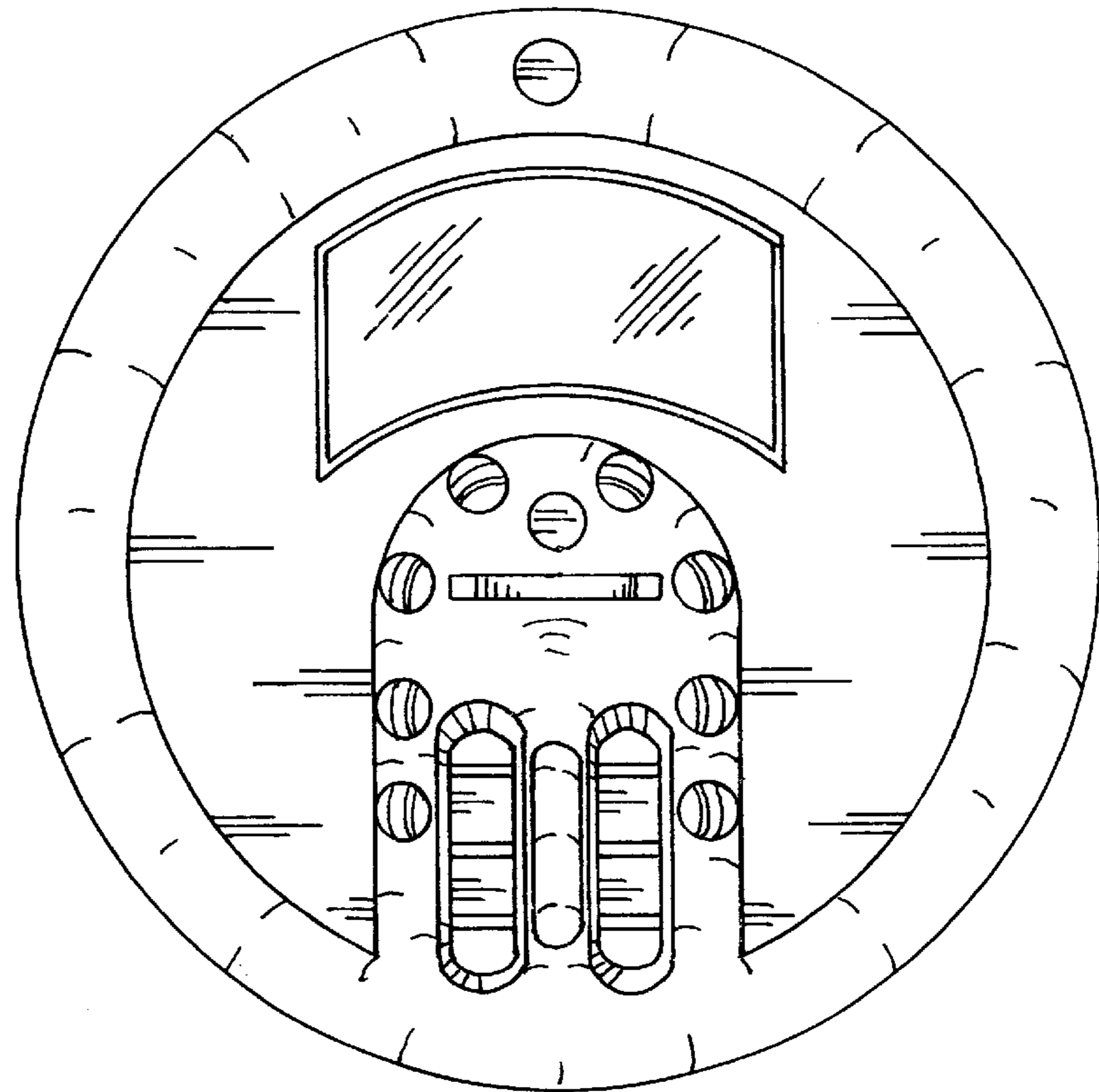
D226,633 S *	4/1973	Beck	.....	D21/769
5,046,978 A *	9/1991	Howerton	.....	441/131
5,279,510 A *	1/1994	Remy	.....	441/67
D393,038 S *	3/1998	Peterson	.....	D21/803
5,729,840 A *	3/1998	Wu	.....	4/588
D427,791 S *	7/2000	Peterson	.....	D6/349
D432,614 S *	10/2000	Peterson	.....	D21/803
D476,390 S *	6/2003	Peterson	.....	D21/803
D480,777 S *	10/2003	Peterson	.....	D21/803
6,746,291 B1 *	6/2004	Coleman et al.	.....	441/65

**1 Claim, 2 Drawing Sheets**

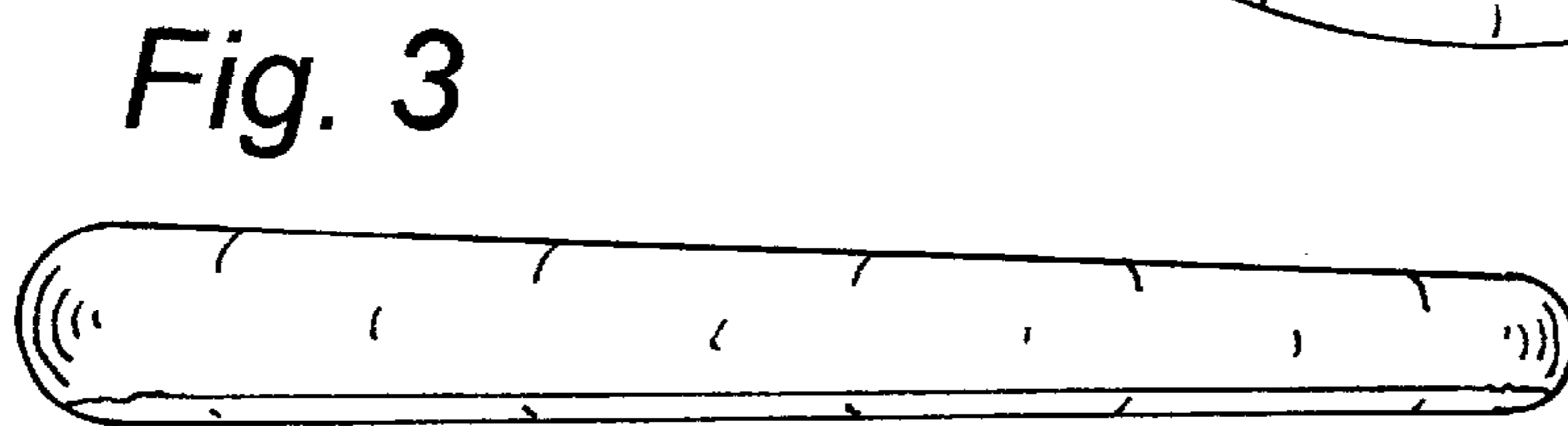




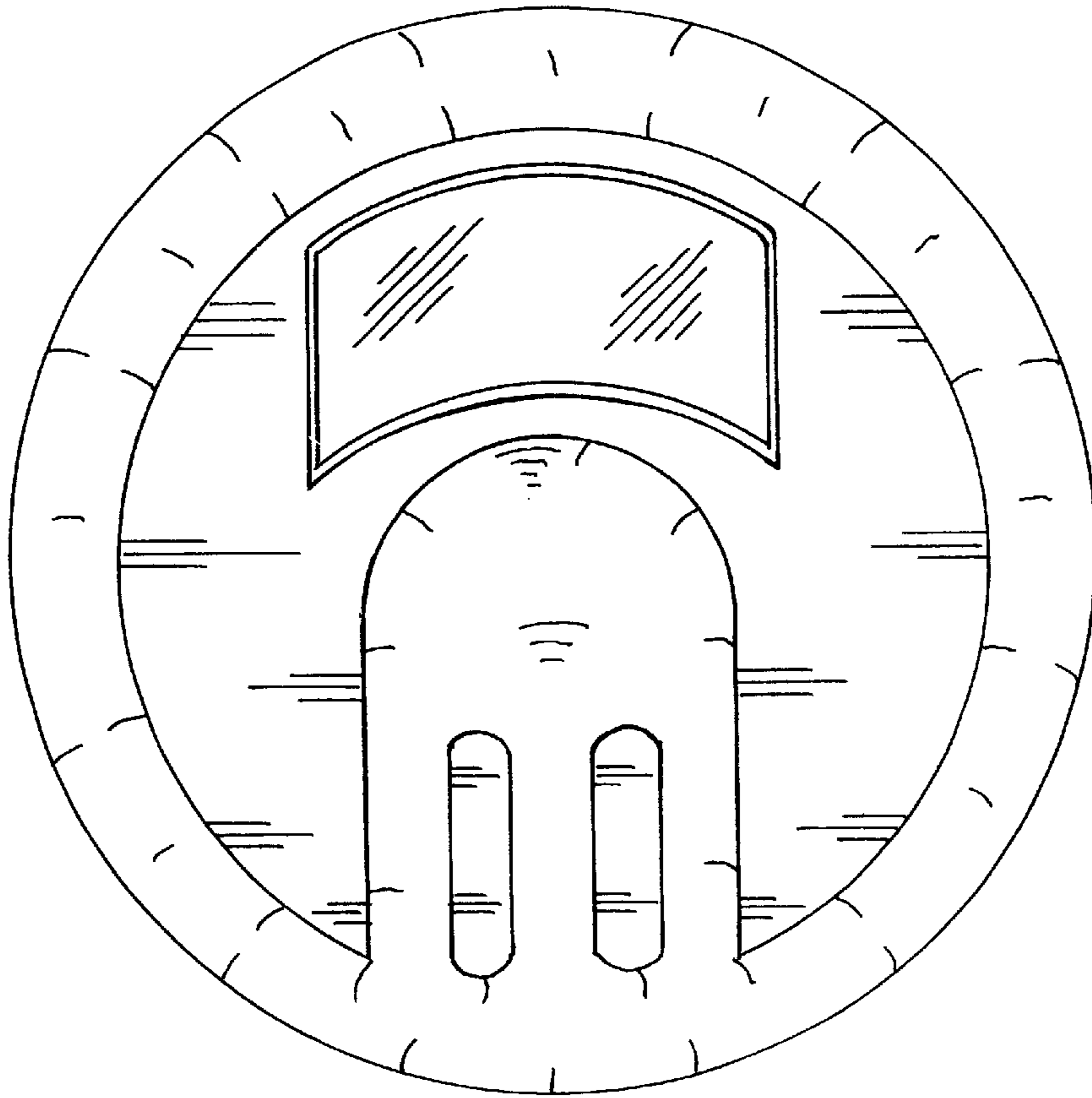
*Fig. 1*



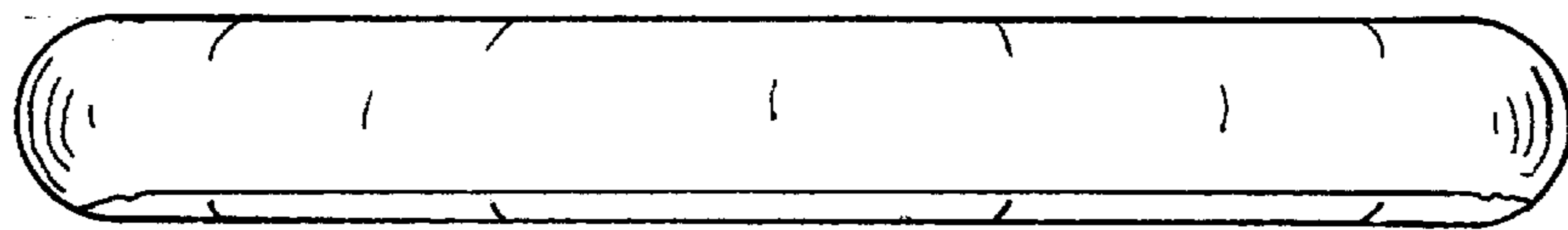
*Fig. 2*



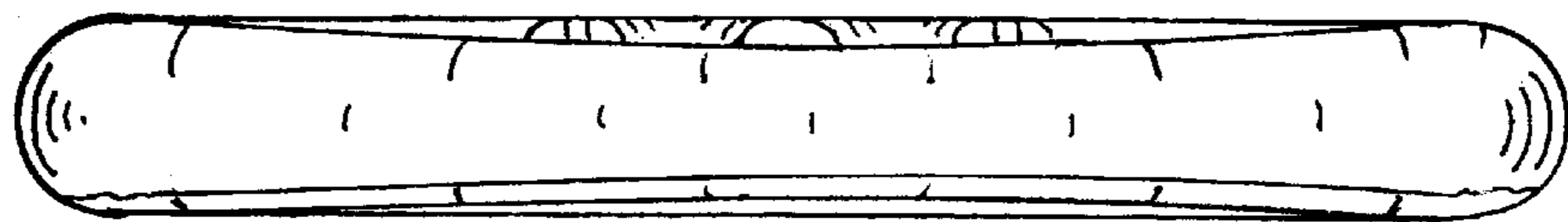
*Fig. 3*



*Fig. 4*



*Fig. 5*



*Fig. 6*