

US00D526376S

(12) **United States Design Patent** (10) **Patent No.:** **US D526,376 S**
Grace (45) **Date of Patent:** **** Aug. 8, 2006**

(54) **PORTION OF A PUTTER HEAD**
(75) Inventor: **Robert M. Grace**, St. Pete Beach, FL (US)
(73) Assignee: **MacGregor Golf Company**, Albany, GA (US)
(**) Term: **14 Years**
(21) Appl. No.: **29/231,849**
(22) Filed: **Jun. 10, 2005**
(51) **LOC (8) Cl.** **21-02**
(52) **U.S. Cl.** **D21/759**
(58) **Field of Classification Search** D21/736-746, D21/759; 473/324-331, 251-256, 340, 341
See application file for complete search history.

D509,273 S * 9/2005 Morris et al. D21/742
D513,049 S * 12/2005 Hendrick D21/743
D514,182 S * 1/2006 Olsavsky et al. D21/743
D515,647 S * 2/2006 Morgulis D21/743

* cited by examiner

Primary Examiner—Mitchell Siegel
(74) *Attorney, Agent, or Firm*—Buchanan Ingersoll PC

(57) **CLAIM**

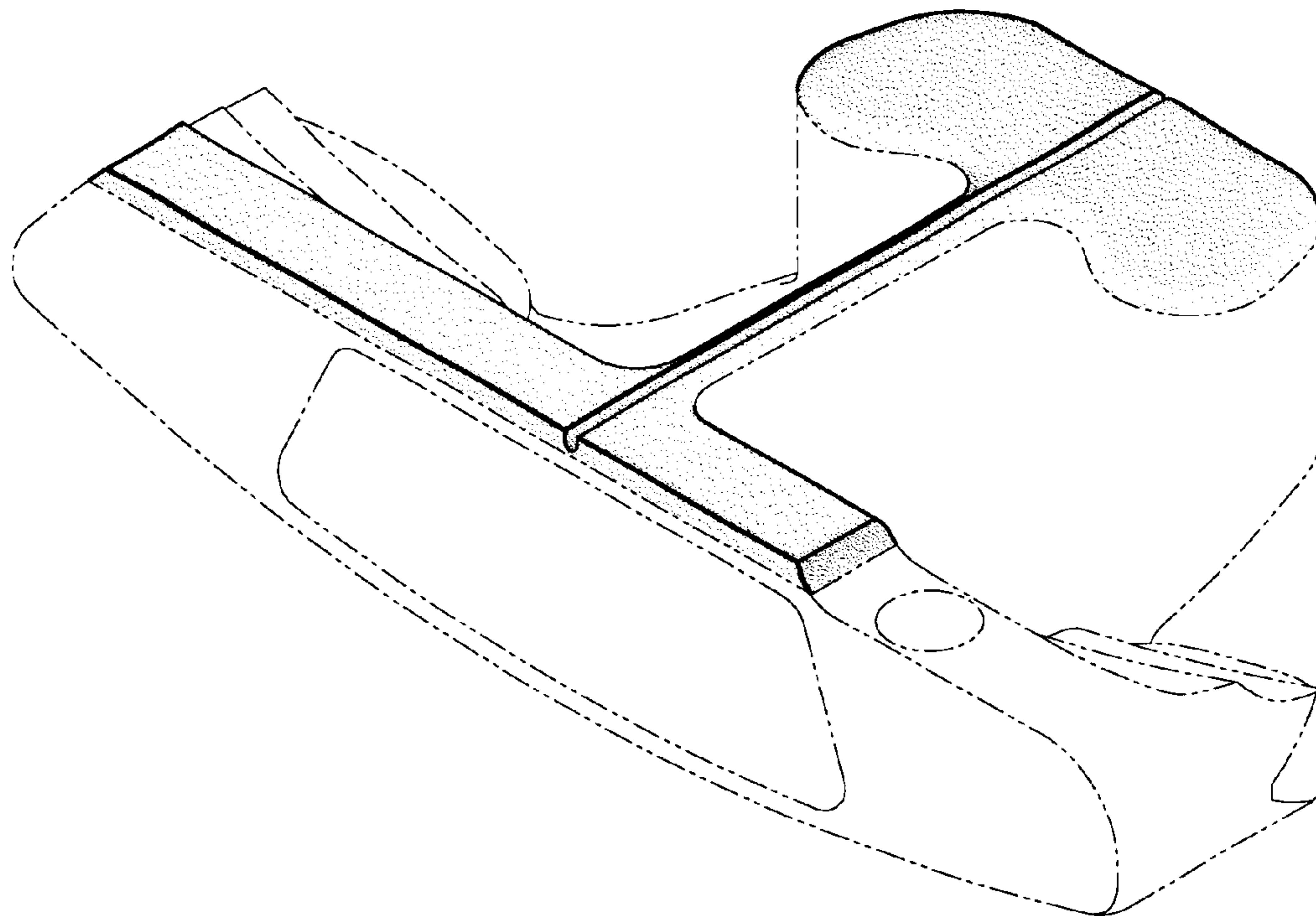
The ornamental design for a portion of a putter head, as shown and described.

DESCRIPTION

FIG. 1 is a top, front perspective view of a portion of a putter head showing my new design.
FIG. 2 is a top, rear perspective view thereof.
FIG. 3 is a top plan view thereof.
FIG. 4 is a front elevational view thereof.
FIG. 5 is a rear elevational view thereof.
FIG. 6 is a left side elevational view thereof; and,
FIG. 7 is a right side elevational view thereof.
The broken line showing of various portions of the putter head is for illustrative purposes only and forms no part of the claimed design.

(56) **References Cited**
U.S. PATENT DOCUMENTS
5,700,207 A * 12/1997 Guthrie et al. 473/313
D486,540 S * 2/2004 Bettinardi D21/738
D486,541 S * 2/2004 Bettinardi D21/738
D500,539 S * 1/2005 Holloway D21/736
D502,518 S * 3/2005 Smart D21/736

1 Claim, 5 Drawing Sheets



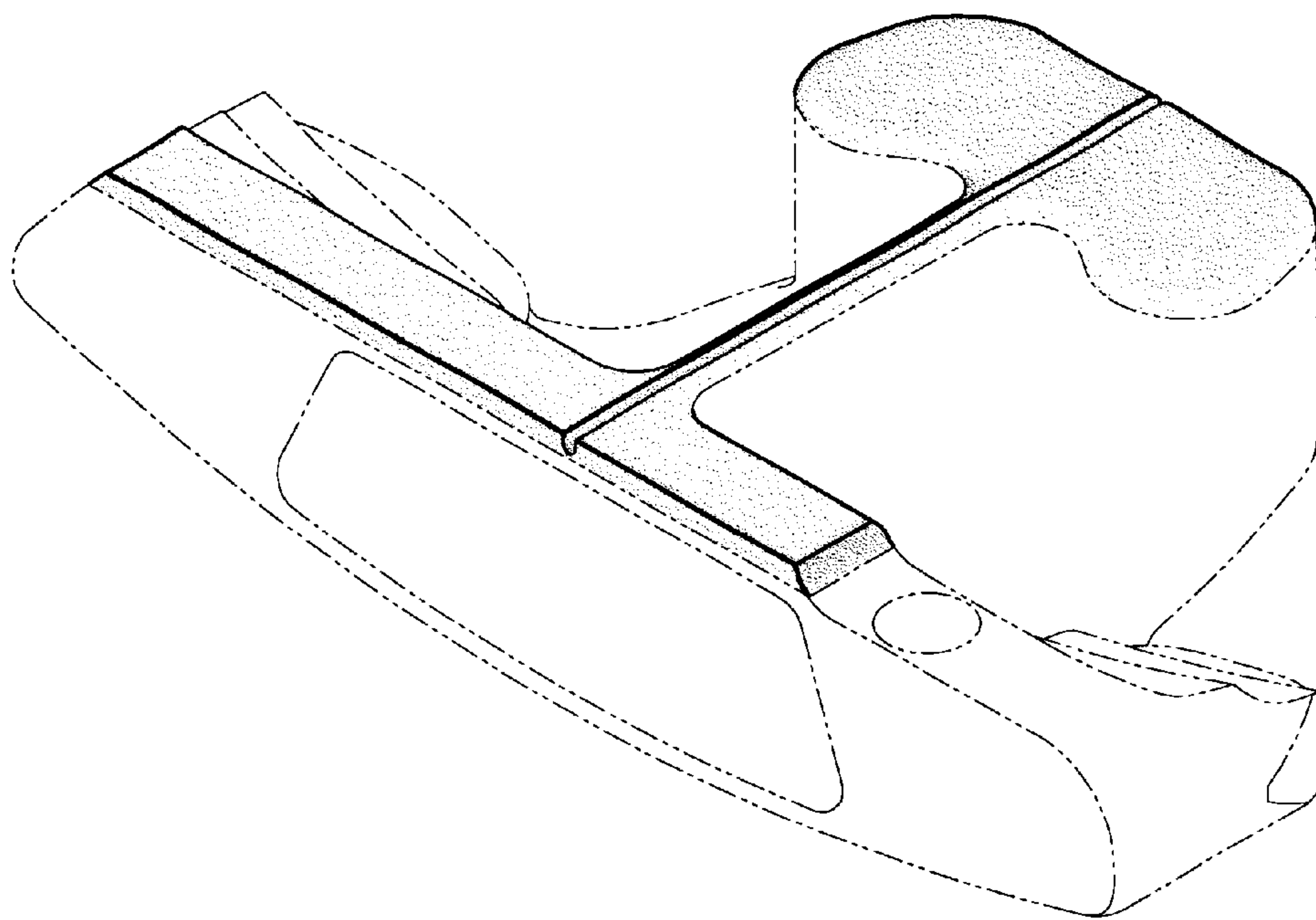


FIG. 1

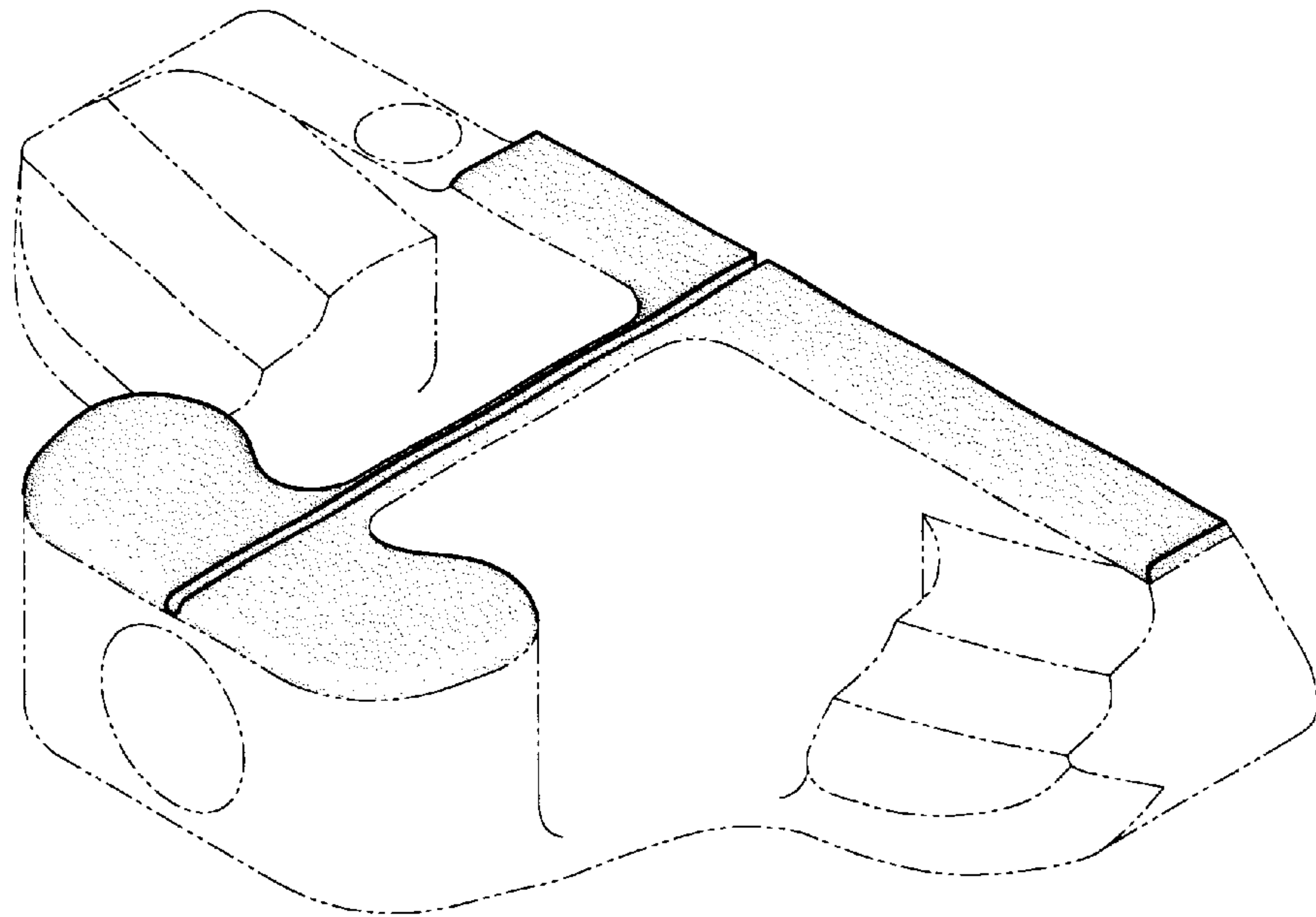


FIG. 2

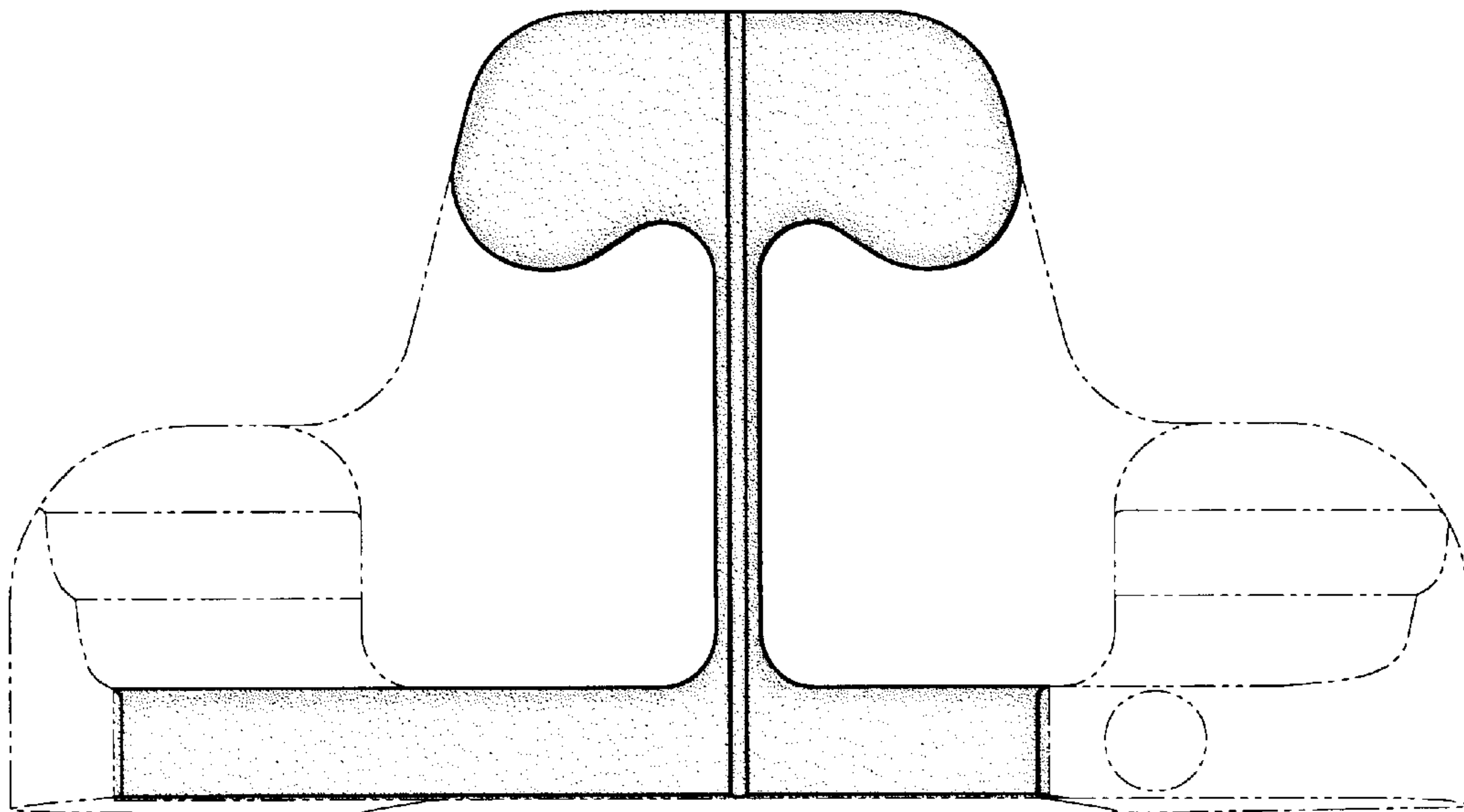


FIG. 3

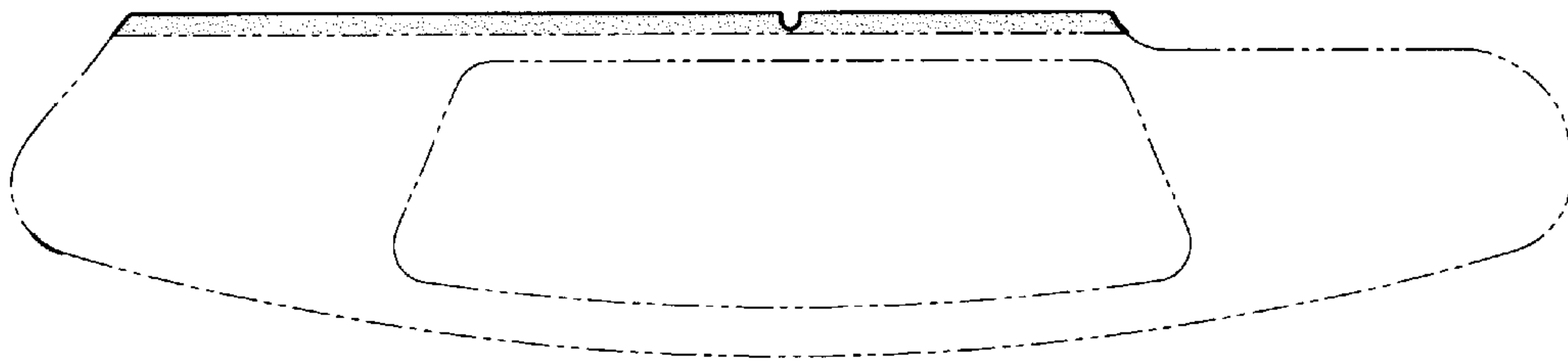


FIG. 4

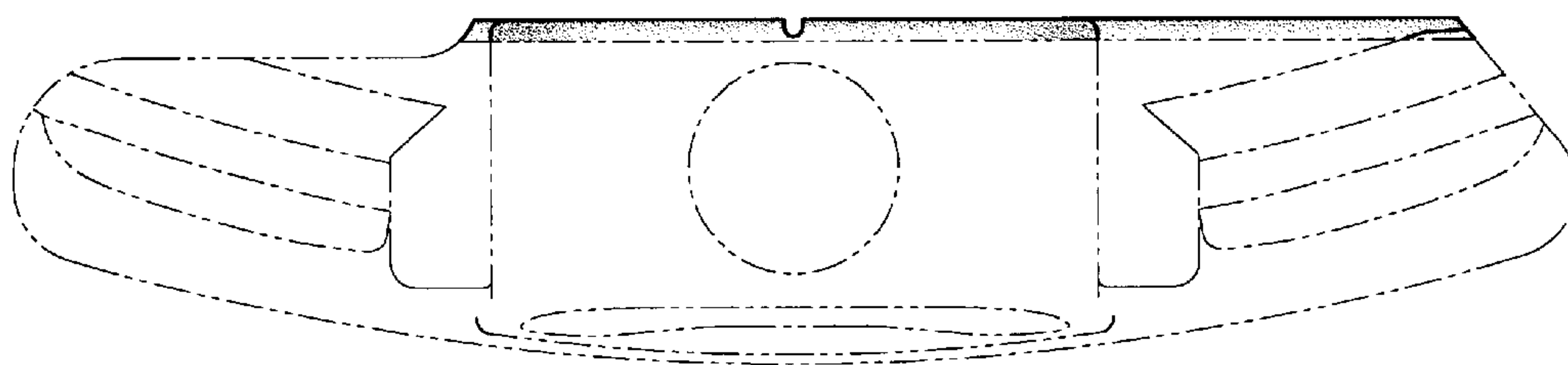


FIG. 5

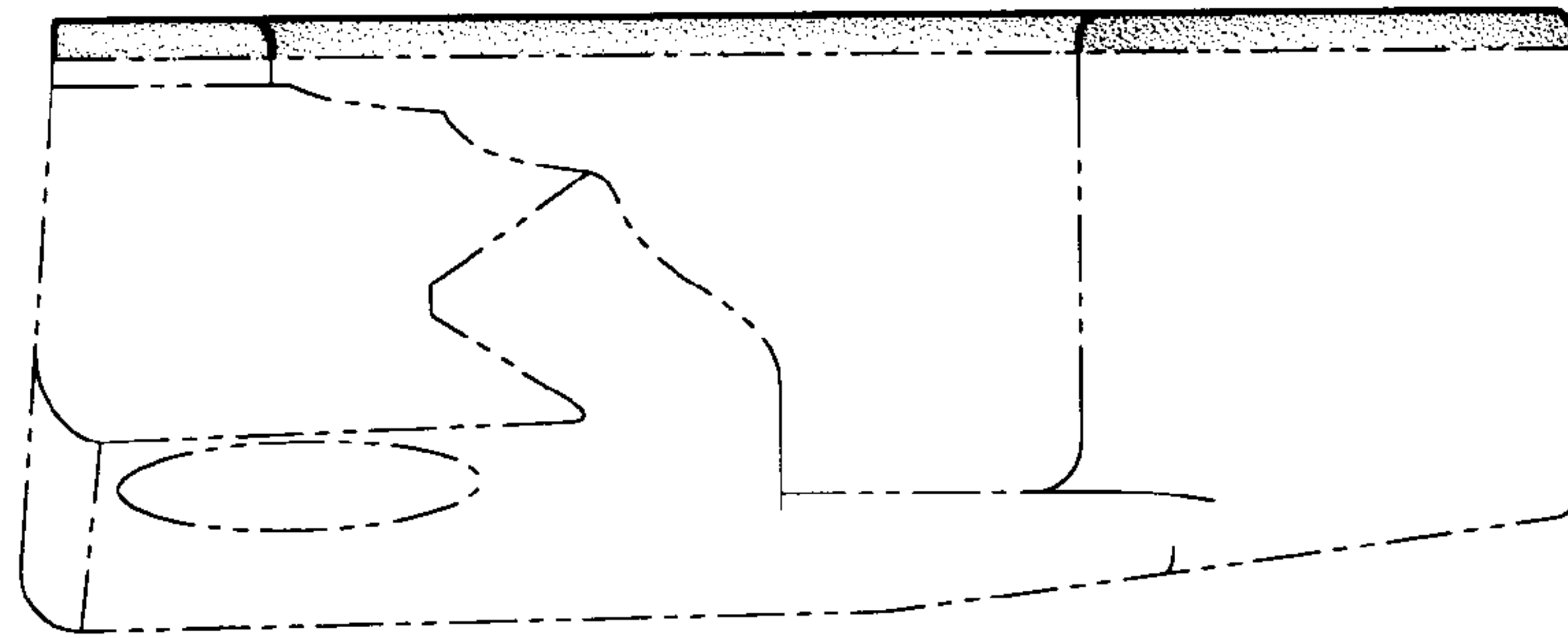


FIG. 6

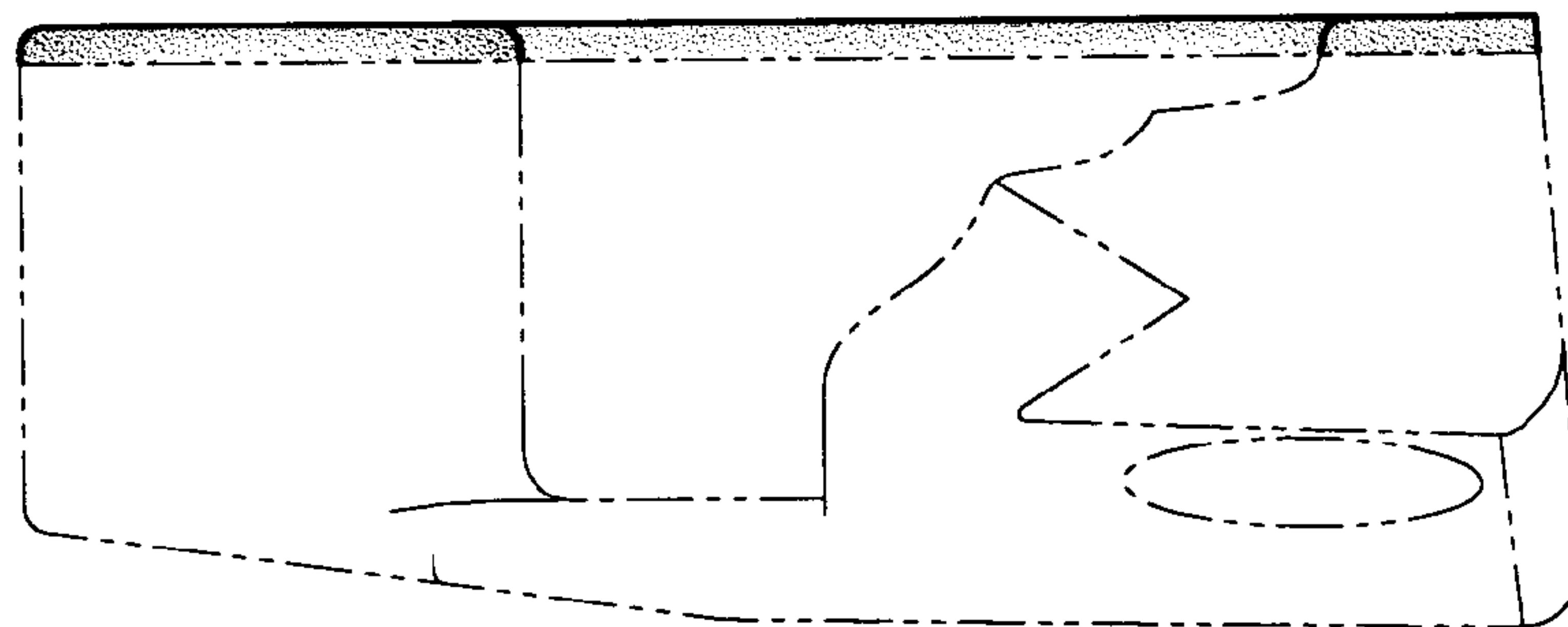


FIG. 7