

US00D526373S

(12) **United States Design Patent**
Brown

(10) **Patent No.:** **US D526,373 S**

(45) **Date of Patent:** **** Aug. 8, 2006**

(54) **GOLF PUTTER HEAD**

(75) Inventor: **James P. Brown**, Stranmillis (IE)

(73) Assignee: **Sienna Sport Limited** (IE)

(**) Term: **14 Years**

(21) Appl. No.: **29/222,352**

(22) Filed: **Jan. 26, 2005**

(51) **LOC (8) Cl.** **21-02**

(52) **U.S. Cl.** **D21/759**

(58) **Field of Classification Search** D21/736-746,
D21/759; 473/324-331, 340, 341, 251-256
See application file for complete search history.

(56) **References Cited**

U.S. PATENT DOCUMENTS

D269,537 S	6/1983	Tucker	
D314,030 S	1/1991	Sanchez	
D323,688 S *	2/1992	Whitney	D21/741
D357,292 S *	4/1995	Smith	D21/741
D410,055 S *	5/1999	Loop	D21/736
D465,819 S *	11/2002	Bussiere	D21/736
6,497,628 B1	12/2002	Gunderson	473/313
D485,880 S *	1/2004	Madore et al.	D21/759
6,702,689 B1	3/2004	Ashton	473/251
D507,318 S *	7/2005	Garcia	D21/744

* cited by examiner

Primary Examiner—Mitchell Siegel

(74) *Attorney, Agent, or Firm*—Woodcock Washburn LLP

(57) **CLAIM**

I claim an ornamental design for a golf putter head, as shown and described.

DESCRIPTION

The subject matter disclosed and claimed herein is related to the subject matter disclosed and claimed in U.S. patent application Ser. No. 11/044,789 filed on Jan. 26, 2005.

FIG. 1 is a front perspective view of a golf putter head in accordance with the design;

FIG. 2 is a front view of the golf putter head of the design that is depicted in FIG. 1;

FIG. 3 is a left side view of the golf putter head of the design that is depicted in FIGS. 1-2;

FIG. 4 is a right side view of the golf putter head of the design that is depicted in FIGS. 1-3;

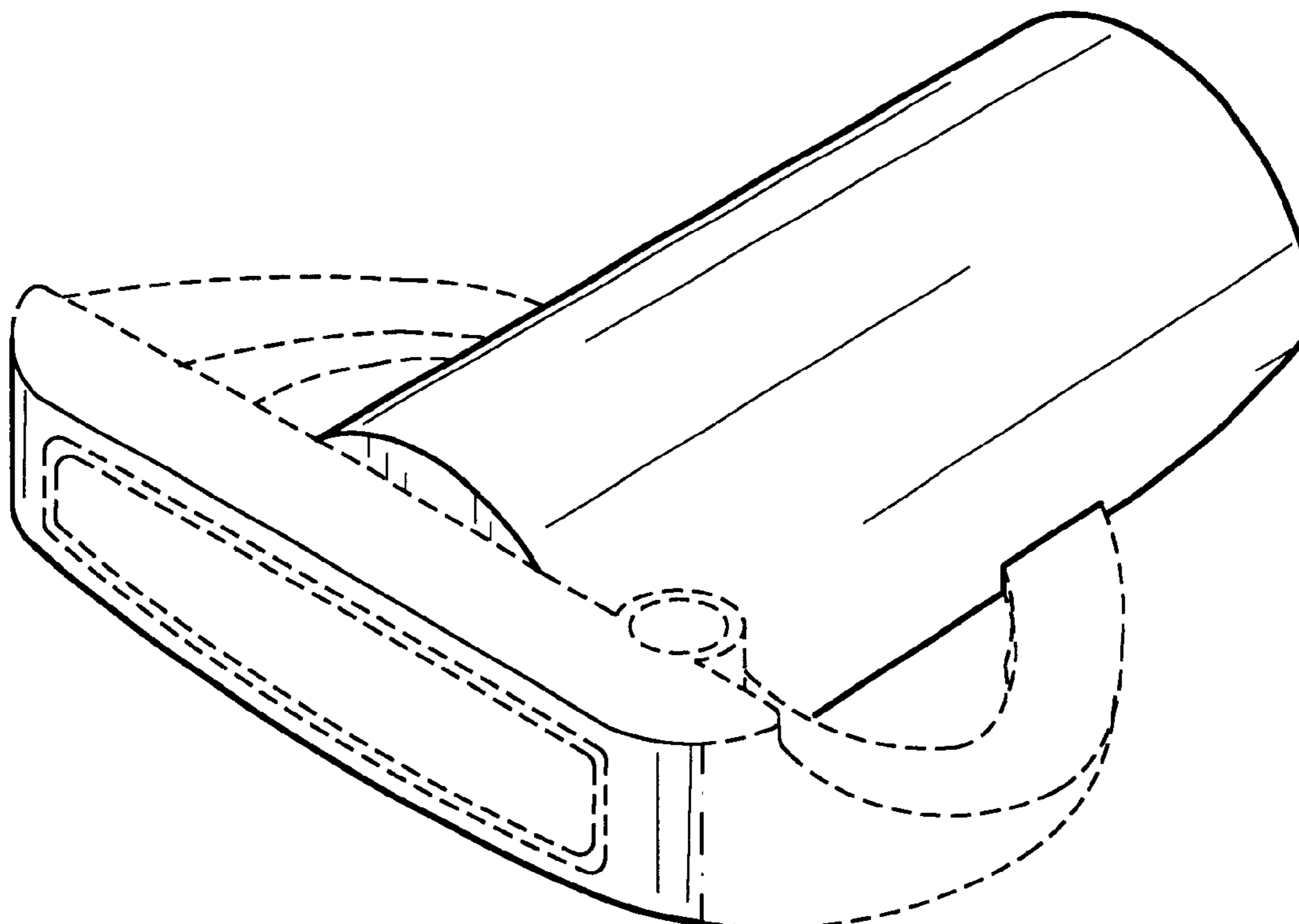
FIG. 5 is a rear view of the golf putter head of the design that is depicted in FIGS. 1-4;

FIG. 6 is a top view of the golf putter head of the design that is depicted in FIGS. 1-5; and,

FIG. 7 is a bottom view of the golf putter head of the design that is depicted in FIGS. 1-6.

The bottom view of the embodiment of the design that is depicted in FIGS. 1-7 is unornamental and is not part of the claimed design. The portions shown in broken lines are for illustrative context purposes only and form no part of the claimed design.

1 Claim, 2 Drawing Sheets



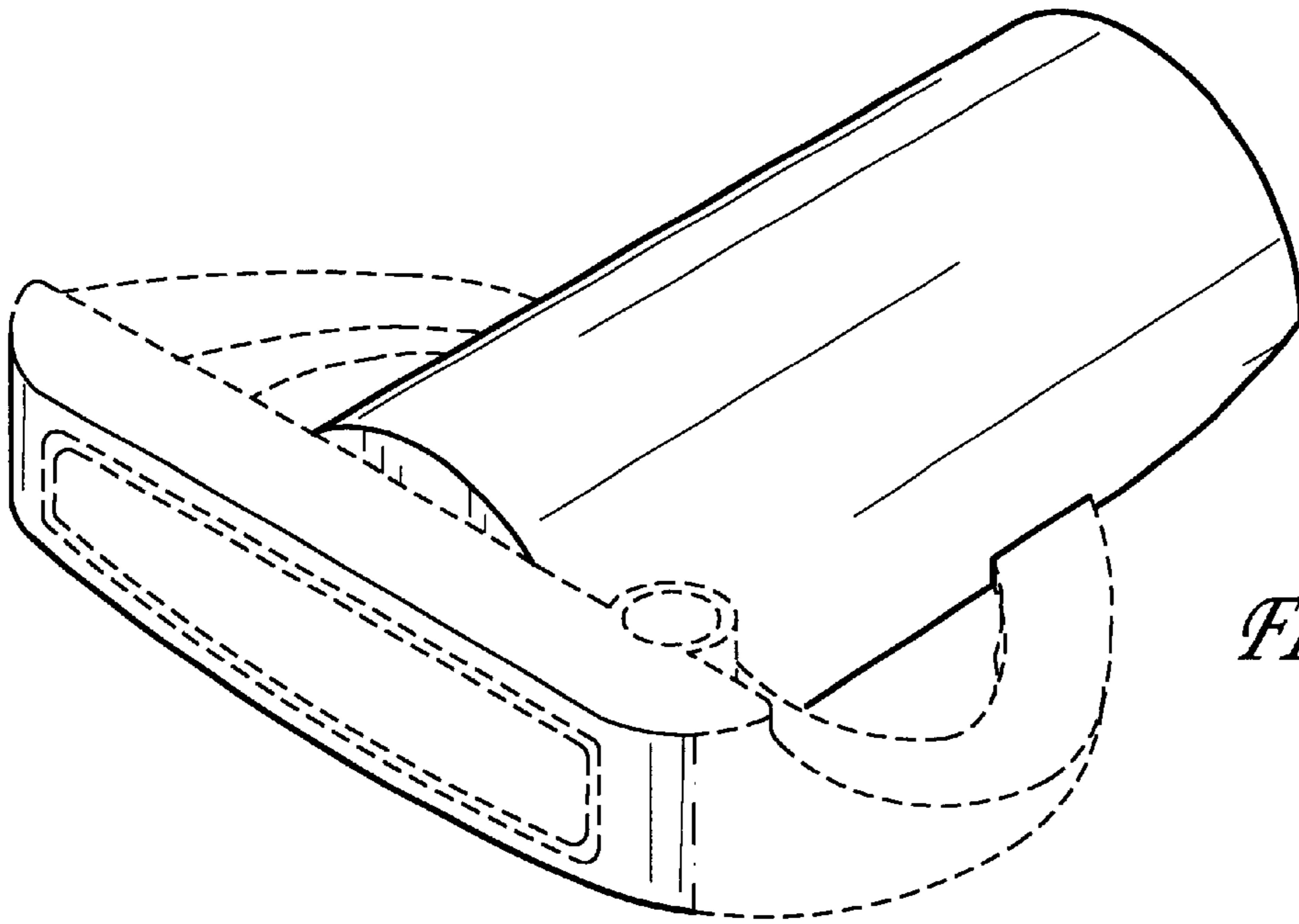


FIG. 1

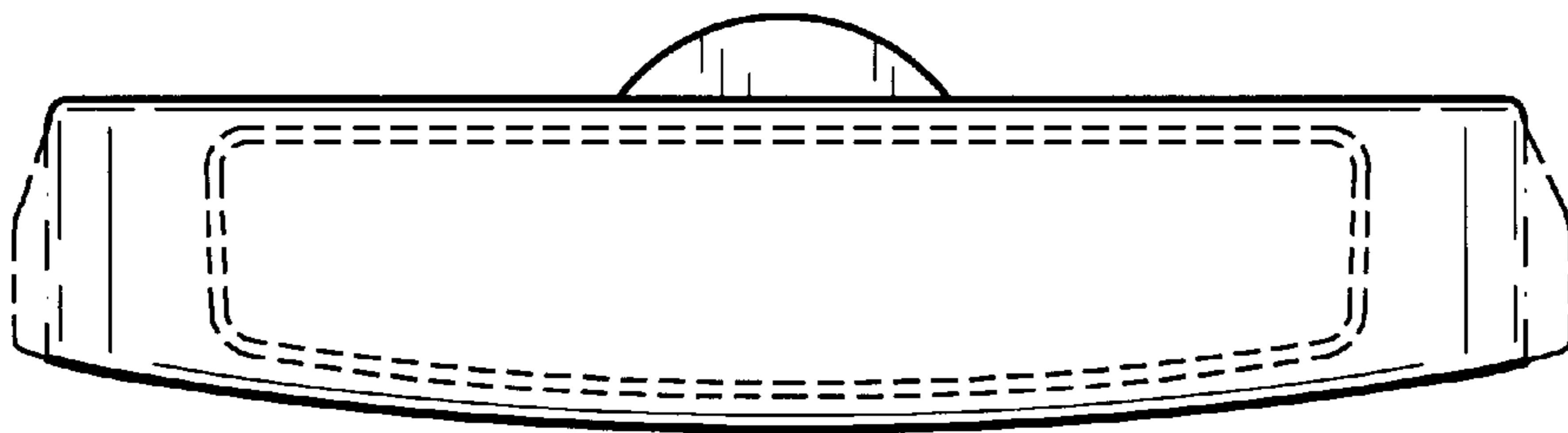


FIG. 2

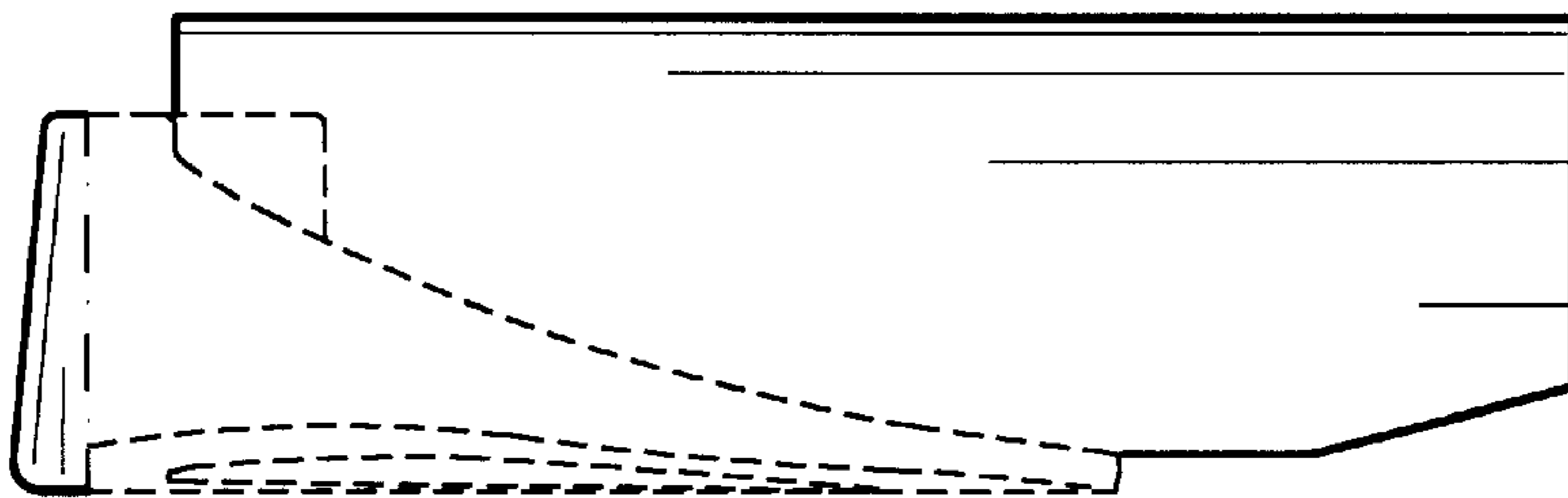


FIG. 3

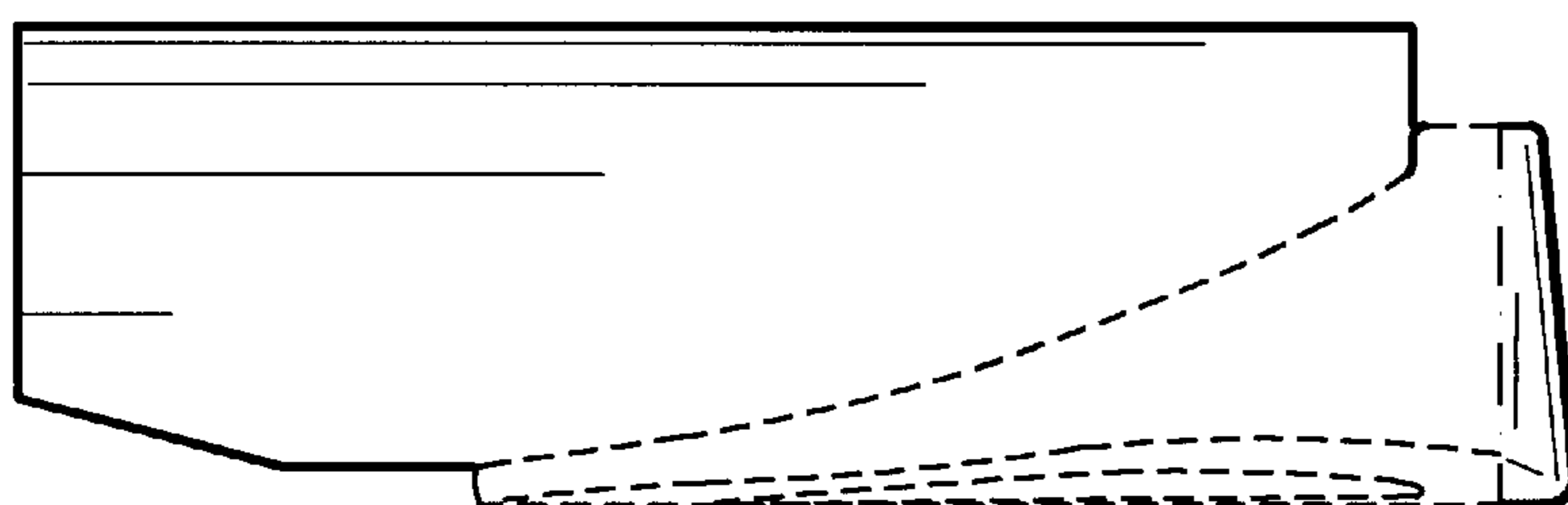


FIG. 4

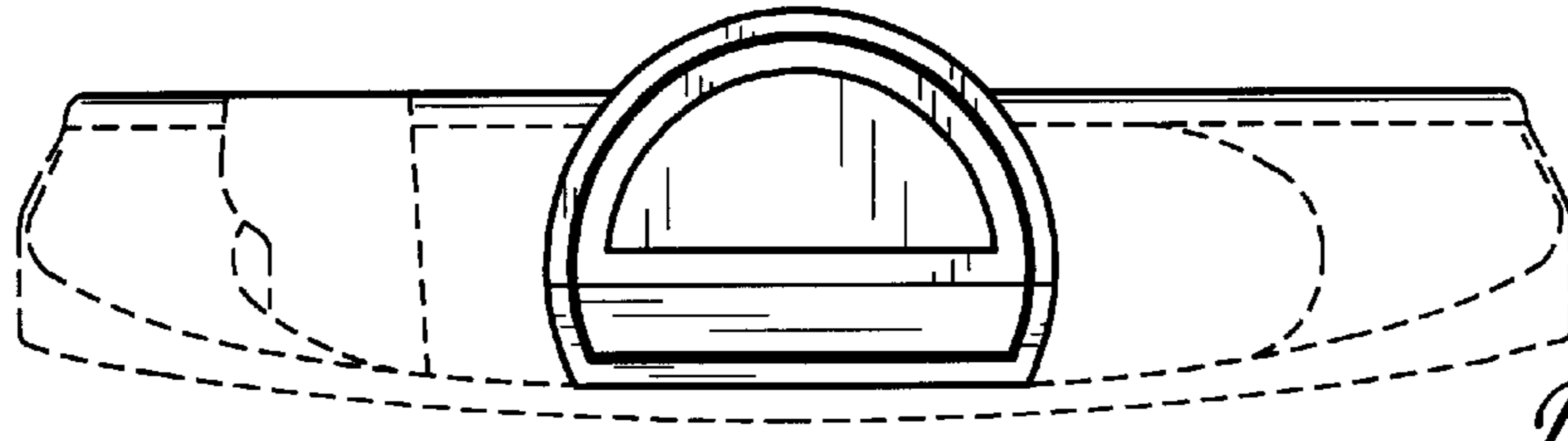


FIG. 5

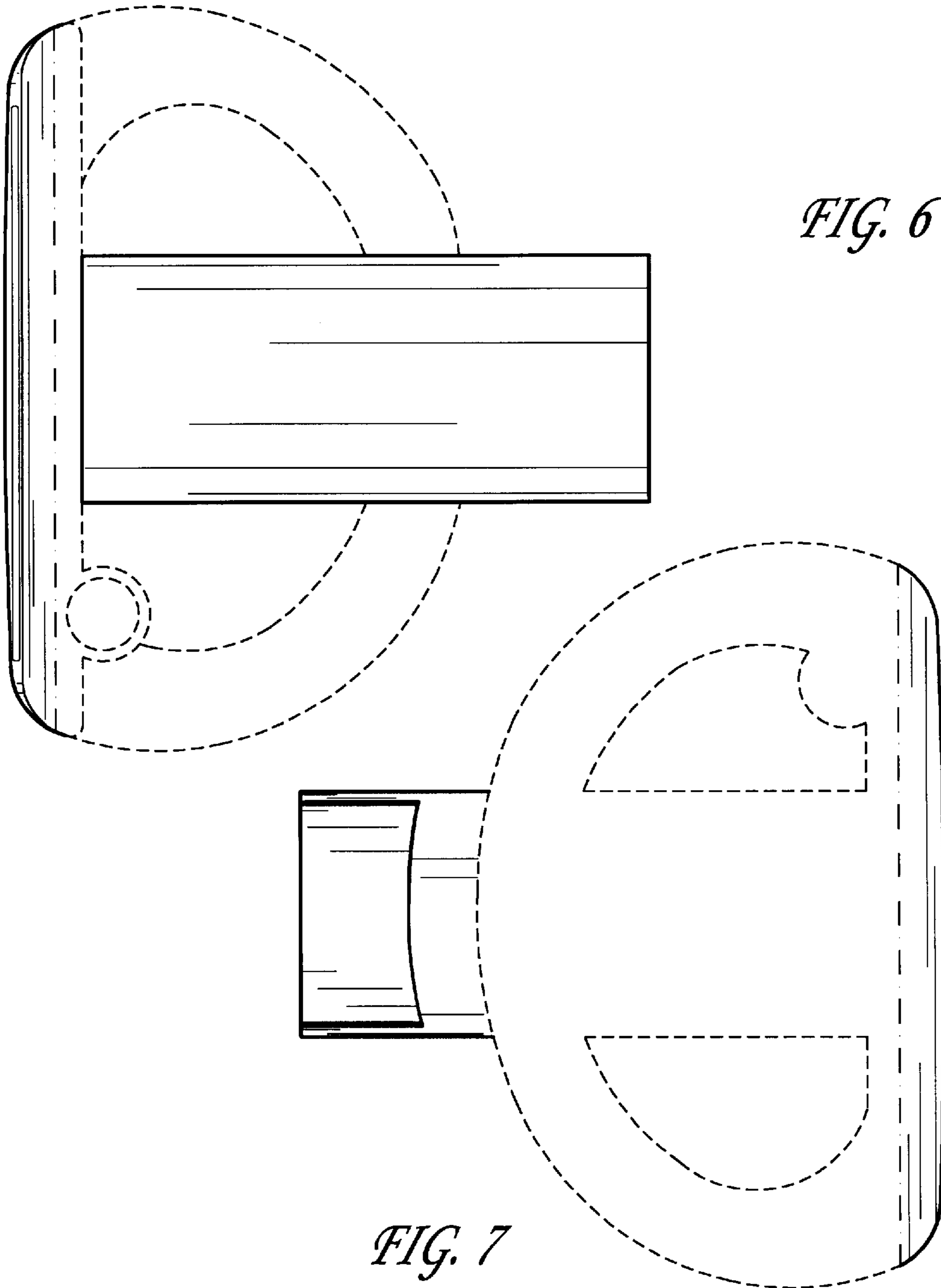


FIG. 7