



US00D526368S

(12) **United States Design Patent**
Giger et al.

(10) **Patent No.:** **US D526,368 S**

(45) **Date of Patent:** **** Aug. 8, 2006**

(54) **PHYSICAL EXERCISER WITH A MONITOR**

(76) Inventors: **Urs Giger**, Tugginerweg 3, CH-4503 Solothurn (CH); **Sonja Giger**, Tugginweweg 3, CH-4503 Solothurn (CH); **Adrian Giger**, Erienweg 19, CH-4514 Lommiswil (CH); **Thomas Giger**, Bellacherstrasse 5, CH-4513 Langendorf (CH); **Martin Giger**, Ob. Steingrubenstrasse 2, CH-4500 Solothurn (CH)

(**) Term: **14 Years**

(21) Appl. No.: **29/233,864**

(22) Filed: **Jul. 12, 2005**

(30) **Foreign Application Priority Data**

Jan. 13, 2005 (WO) DM/066 339

(51) **LOC (8) Cl.** **21-02**

(52) **U.S. Cl.** **D21/666; D21/665**

(58) **Field of Classification Search** D21/662, D21/665, 666, 673, 686, 690; 601/36; 482/62, 482/51, 133, 138, 139, 142, 1
See application file for complete search history.

(56) **References Cited**

U.S. PATENT DOCUMENTS

4,402,502 A * 9/1983 Peters 601/36
D279,918 S * 7/1985 Stumbaugh et al. D21/665
4,538,804 A * 9/1985 Zibell 482/57

D298,845 S * 12/1988 Giger D21/665
4,974,840 A * 12/1990 Welch 482/133
D365,860 S * 1/1996 Giger D21/690
D410,712 S * 6/1999 Giger et al. D21/665
6,592,502 B1 * 7/2003 Phillips 482/143

* cited by examiner

Primary Examiner—Philip S. Hyder
(74) *Attorney, Agent, or Firm*—Griffin & Szipl, P.C.

(57) **CLAIM**

The ornamental design for physical exerciser with a monitor, as shown and described.

DESCRIPTION

FIG. 1 is a perspective view of a physical exerciser with a monitor showing our new design, wherein the side bars are shown in a disassembled position;

FIG. 2 is a front view of the physical exerciser with a monitor, wherein the side bars are in the assembled position; FIG. 3 is a rear view thereof, wherein the side bars are in the assembled position;

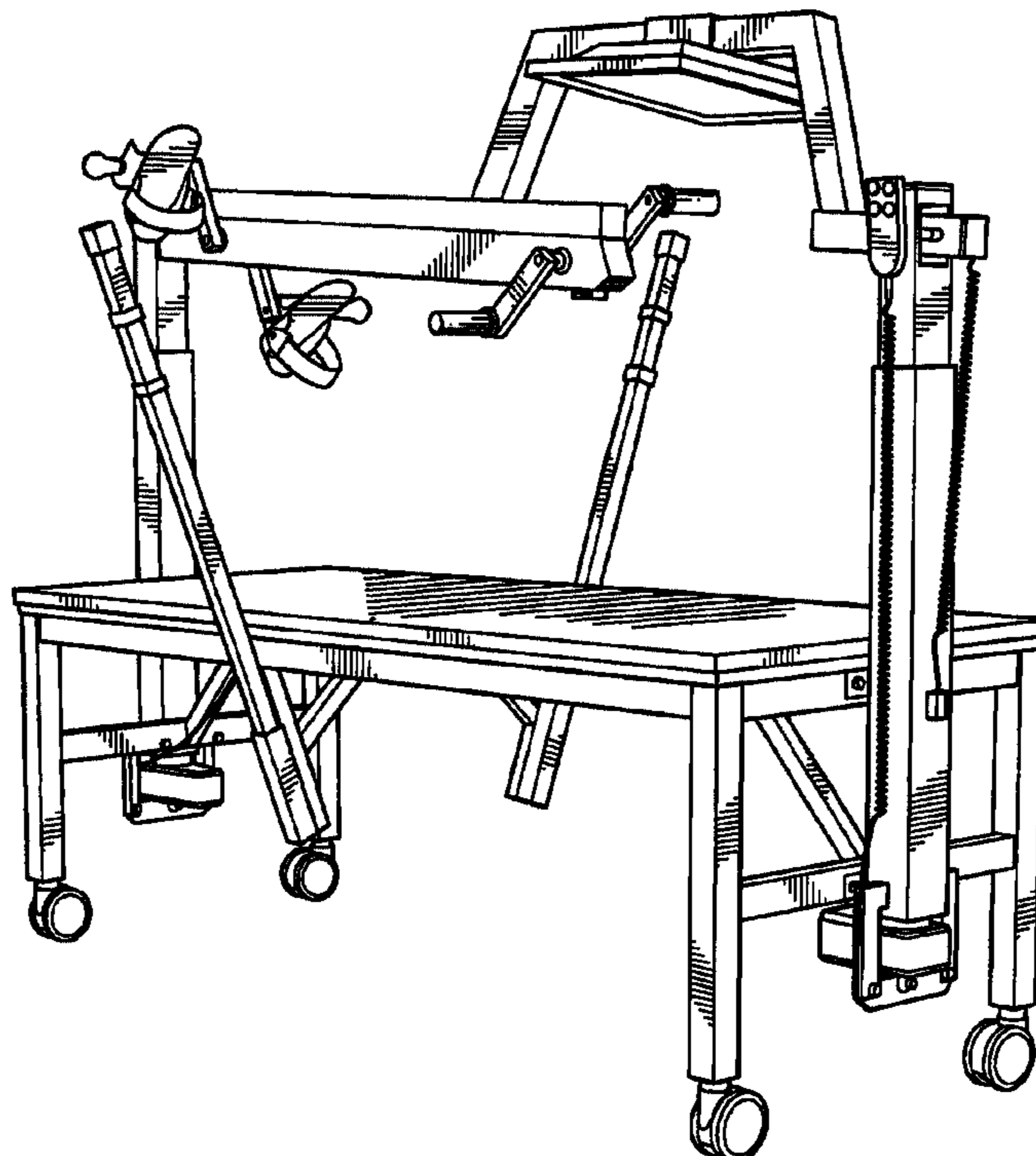
FIG. 4 is a left side elevational view thereof, wherein the side bars are in the assembled position;

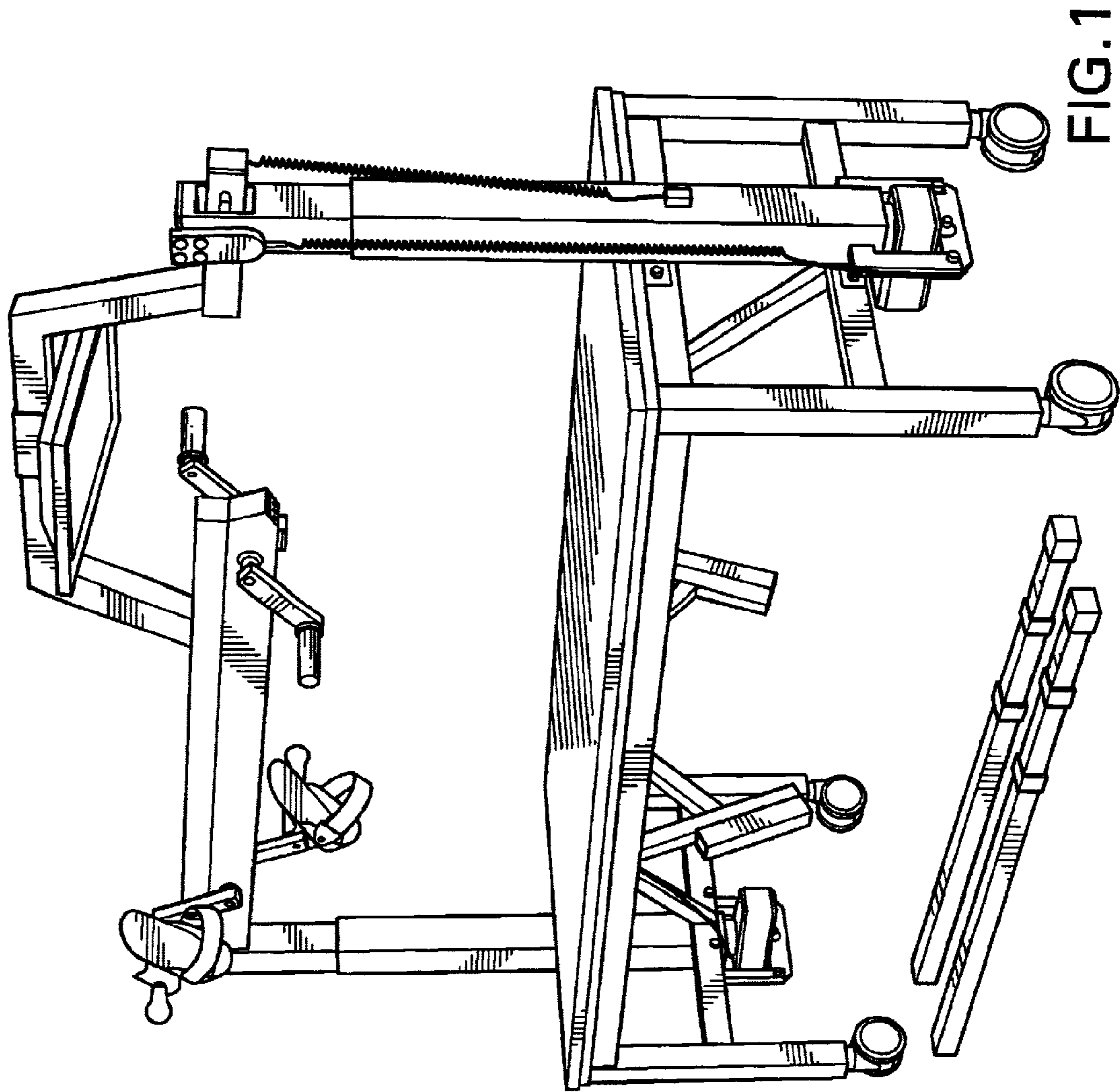
FIG. 5 is a top plan view thereof, wherein the side bars are in the assembled position; and,

FIG. 6 is a perspective view thereof, wherein the side bars are in the assembled position.

The indicia shown in broken lines in the drawings form no part of the design to be patented.

1 Claim, 6 Drawing Sheets





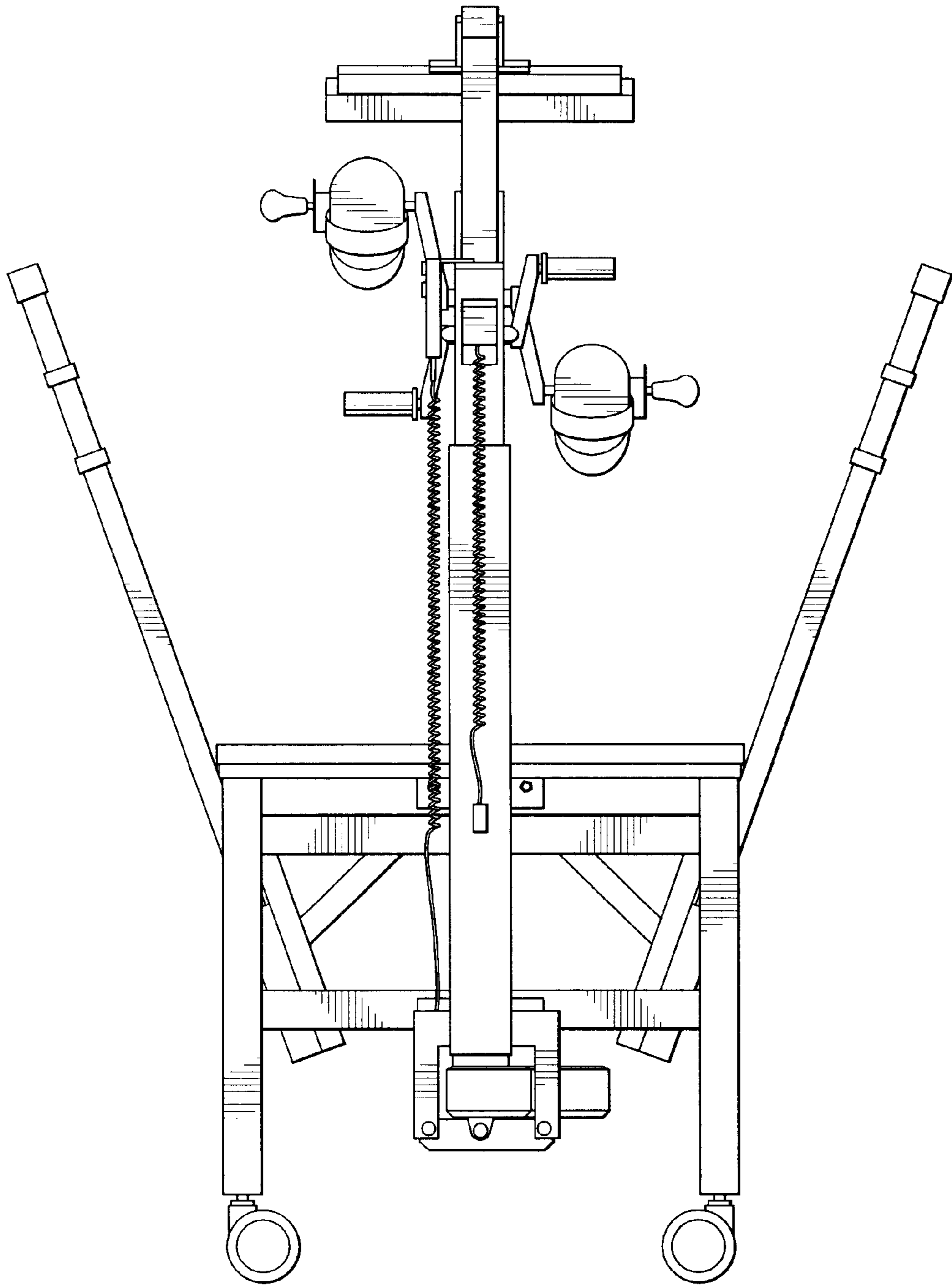


FIG. 2

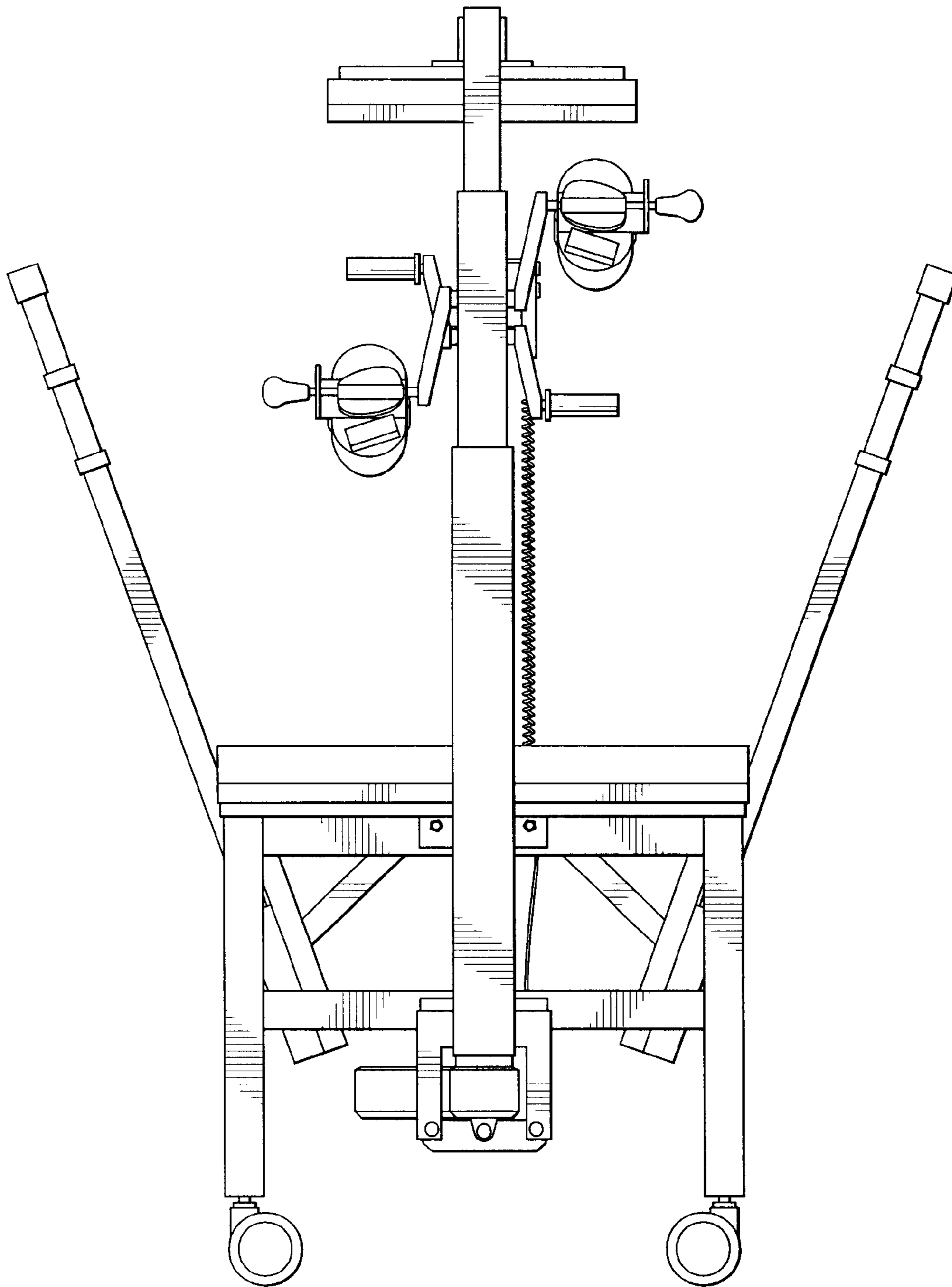


FIG. 3

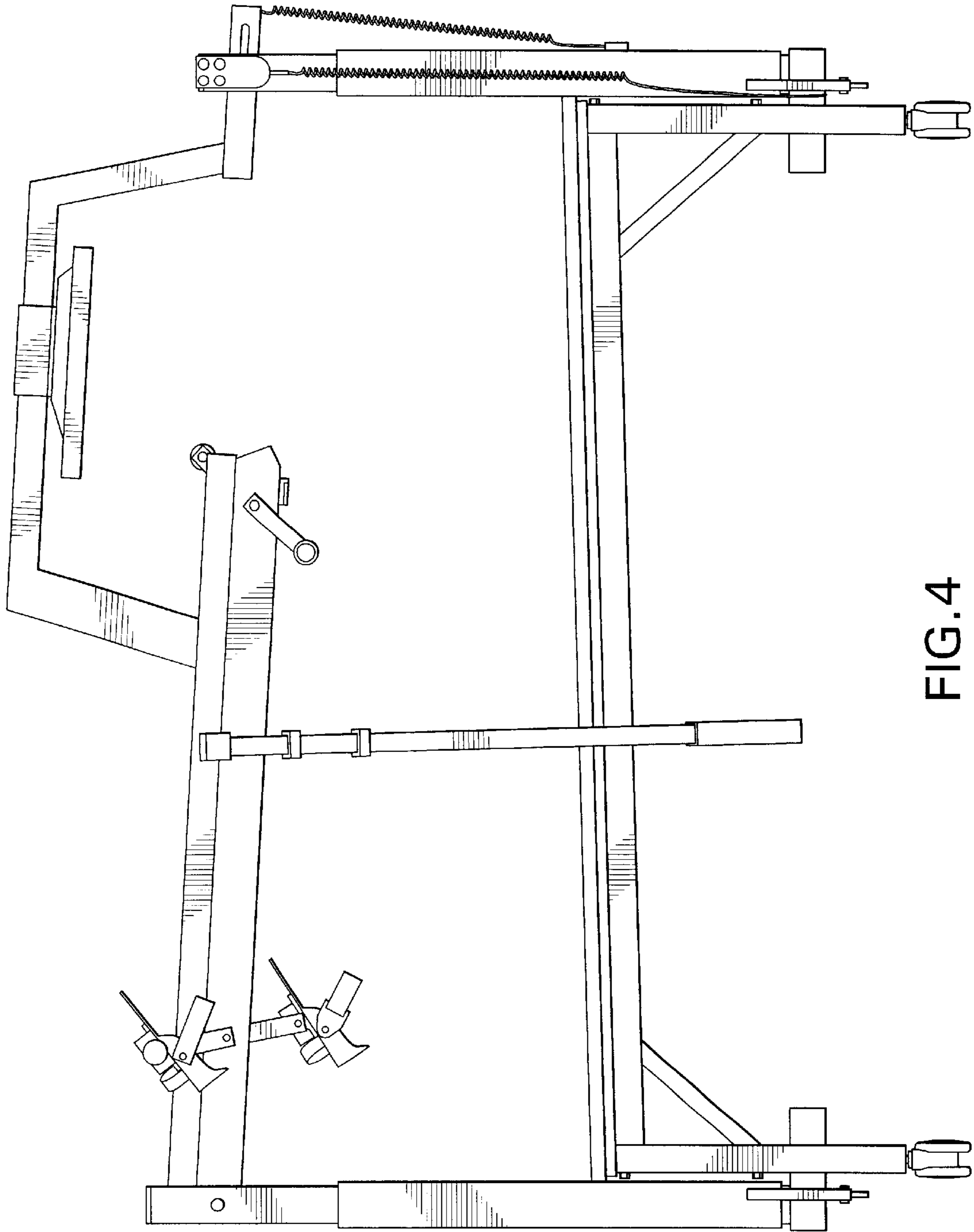


FIG. 4

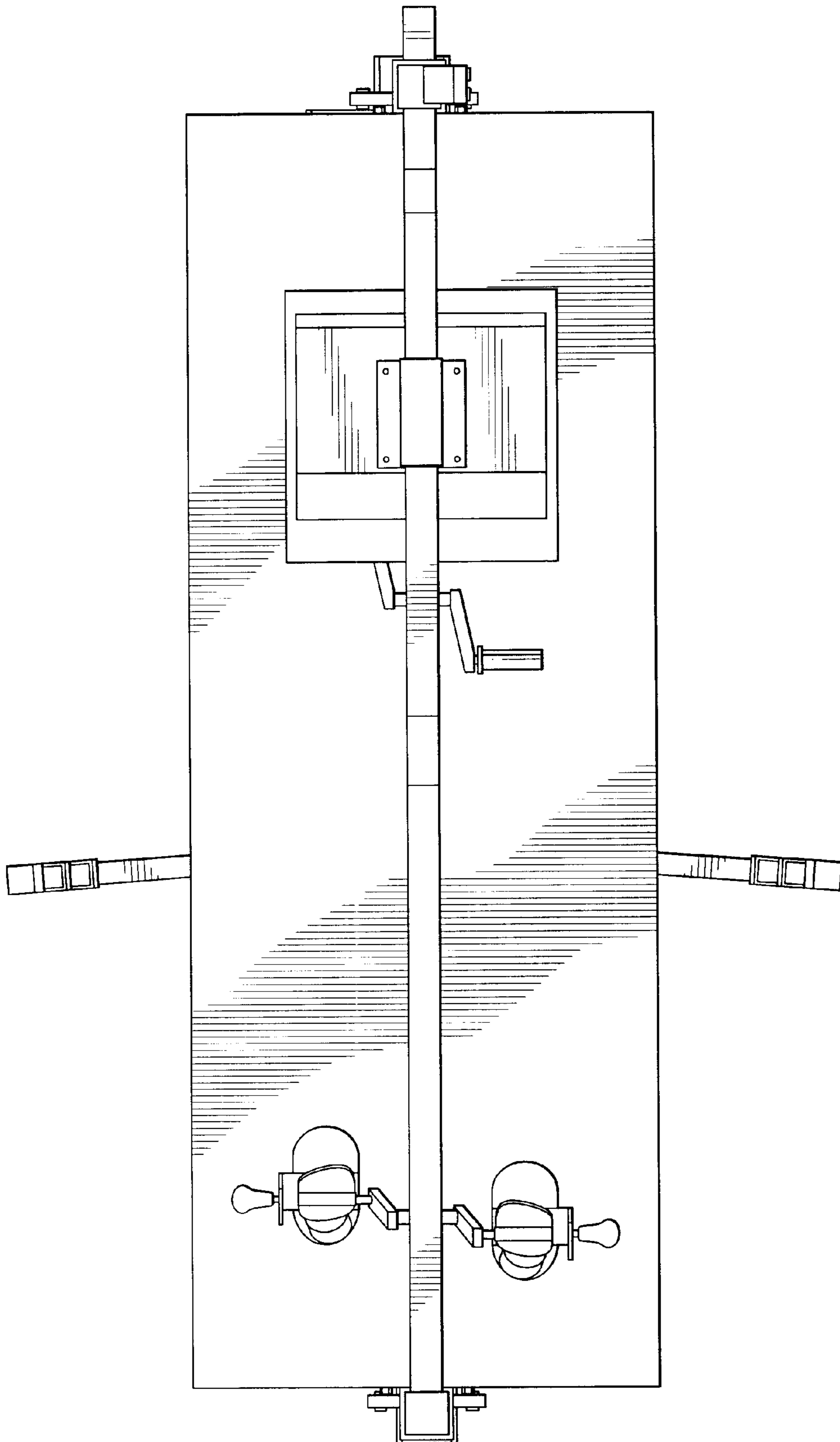


FIG. 5

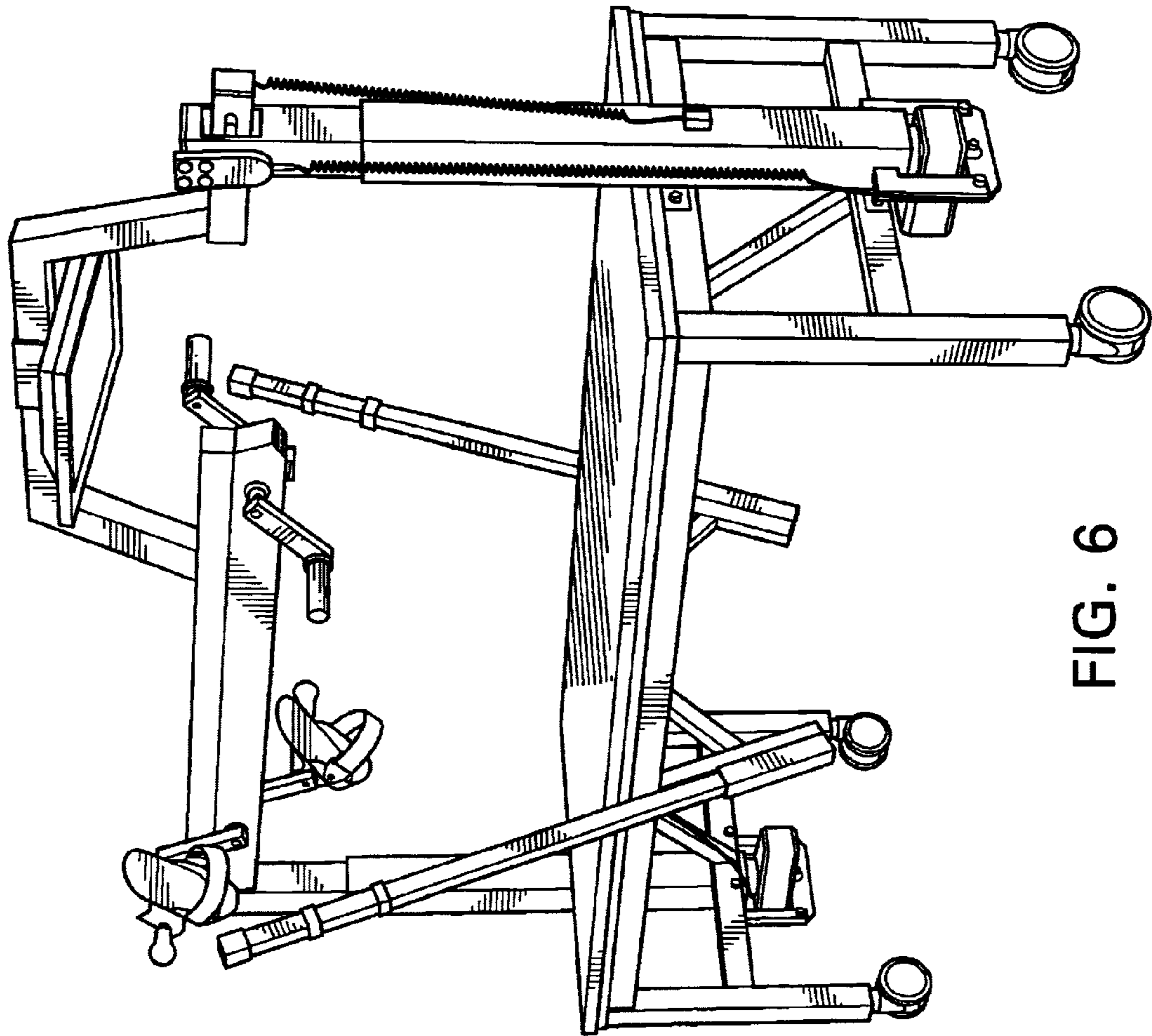


FIG. 6