



US00D526365S

(12) **United States Design Patent**  
**Huetteman**

(10) **Patent No.:** **US D526,365 S**

(45) **Date of Patent:** **\*\* Aug. 8, 2006**

(54) **TOY BARN FIGURE**

D304,219 S \* 10/1989 Taylor ..... D21/508  
D454,935 S \* 3/2002 Catelli ..... D21/811

(76) Inventor: **Scott Huetteman**, 2505 Mason Oaks  
Dr., Valrico, FL (US) 33594

\* cited by examiner

(\*\*) Term: **14 Years**

*Primary Examiner*—Holly Baynham

*Assistant Examiner*—Cynthia M. Chin

(21) Appl. No.: **29/208,415**

(74) *Attorney, Agent, or Firm*—Brinkley McNerney et al.;  
Kevin P. Crosby; Patricia E. McQueeney

(22) Filed: **Jun. 28, 2004**

(57) **CLAIM**

(51) **LOC (8) Cl.** ..... **21-01**

I claim the ornamental design for a toy barn figure, as shown  
and described.

(52) **U.S. Cl.** ..... **D21/508**

(58) **Field of Classification Search** ..... D21/483,  
D21/494, 506–511, 530; D25/1, 7, 14, 22,  
D25/29, 59; D30/108; 446/136, 423, 476  
See application file for complete search history.

**DESCRIPTION**

FIG. 1 is a front elevation view of a toy barn figure with the  
weather vane pointing towards the right.

FIG. 2 is a right side elevation view of a toy barn figure with  
the weather vane pointing towards the rear.

FIG. 3 is a top plan view of a toy barn figure with the  
weather vane pointing in the same direction as in FIG. 2;  
and,

FIG. 4 is a left side elevation view of a toy barn figure with  
the weather van pointing to the front.

(56) **References Cited**

**U.S. PATENT DOCUMENTS**

- D224,429 S 7/1972 Fusco et al.
- D230,410 S 2/1974 Schmidt et al.
- D240,065 S 5/1976 Orenstein
- D260,244 S 8/1981 Young
- D275,211 S 8/1984 Mariol
- D286,418 S \* 10/1986 Appel et al. .... D21/508

**1 Claim, 4 Drawing Sheets**

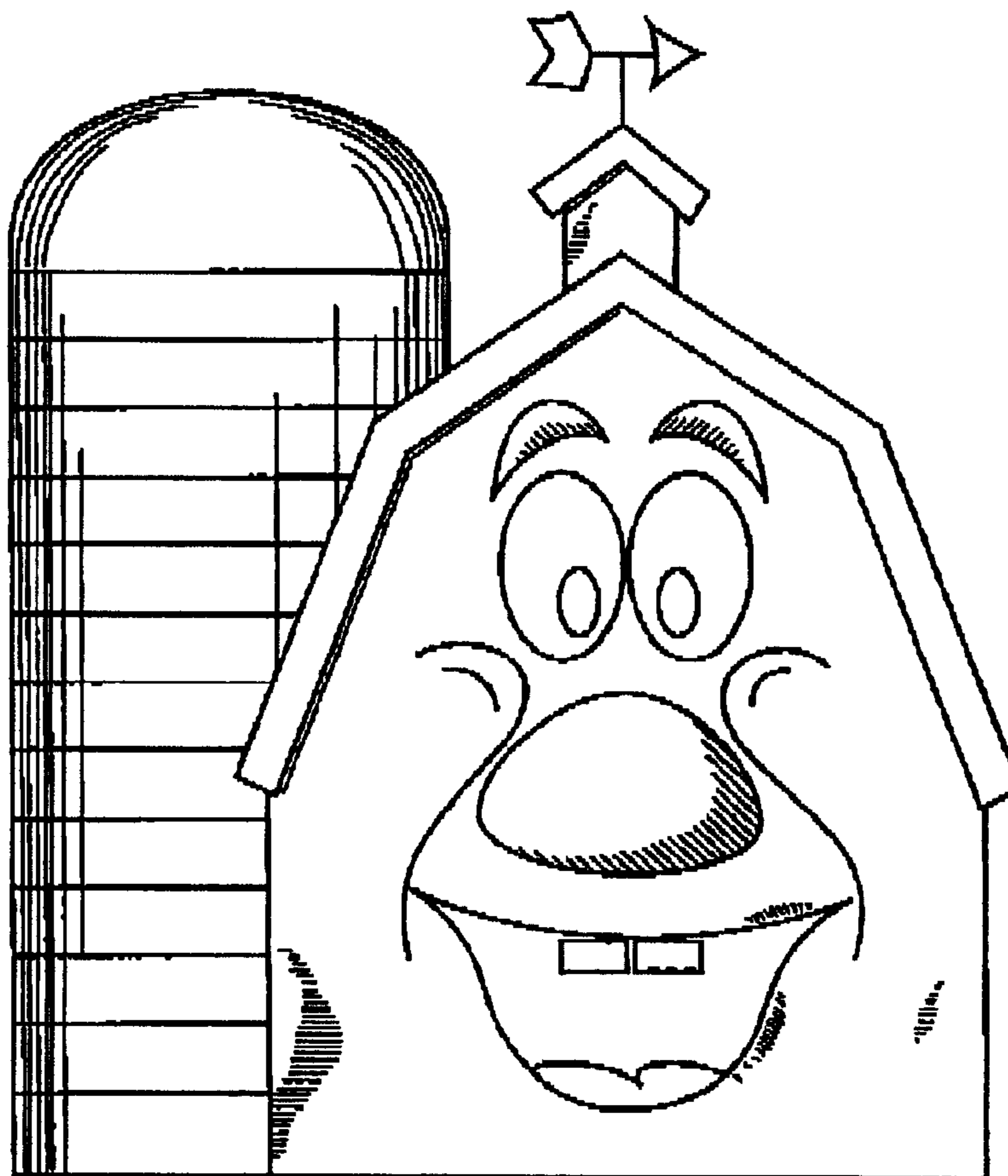


Figure 1

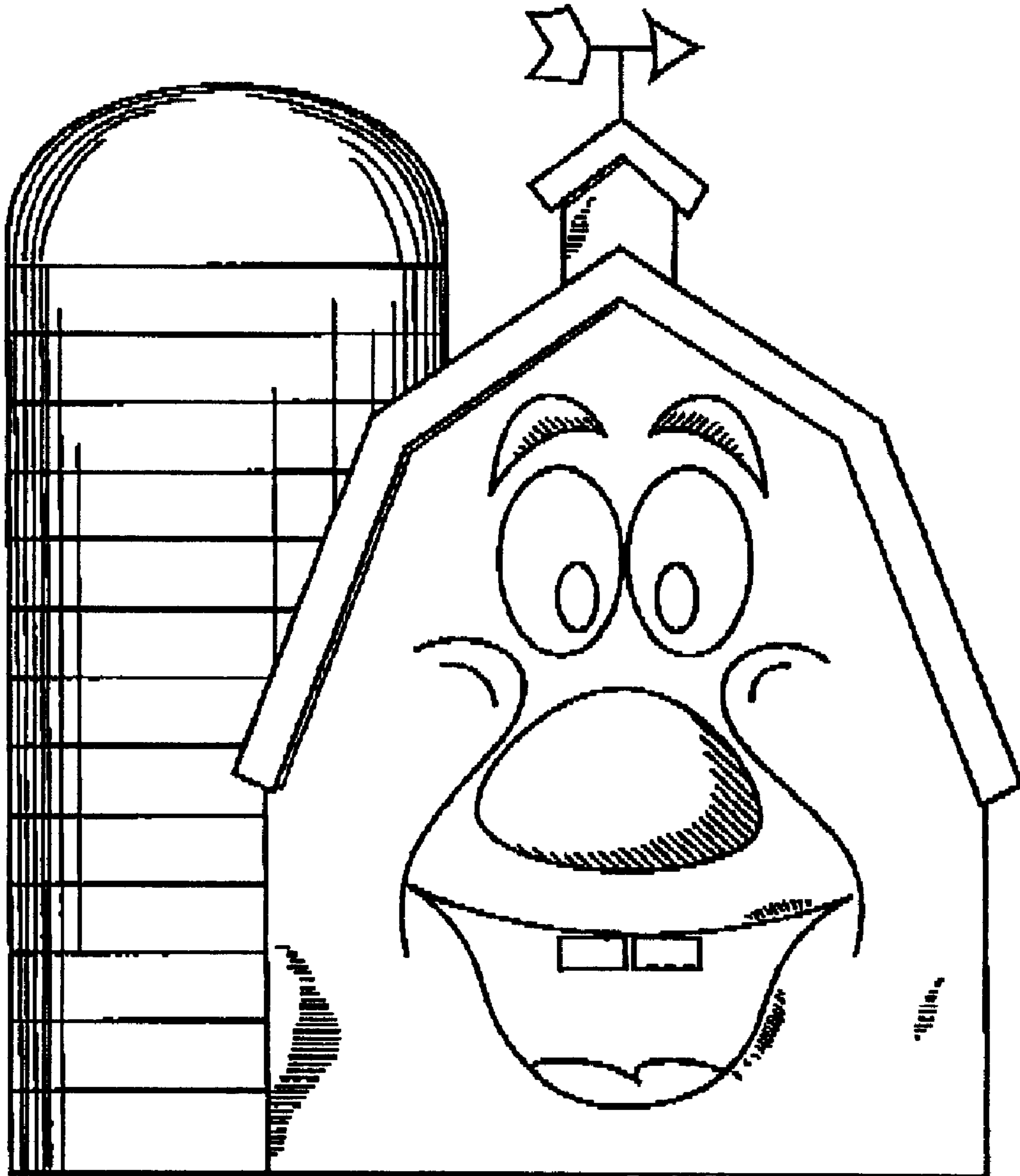


Figure 2

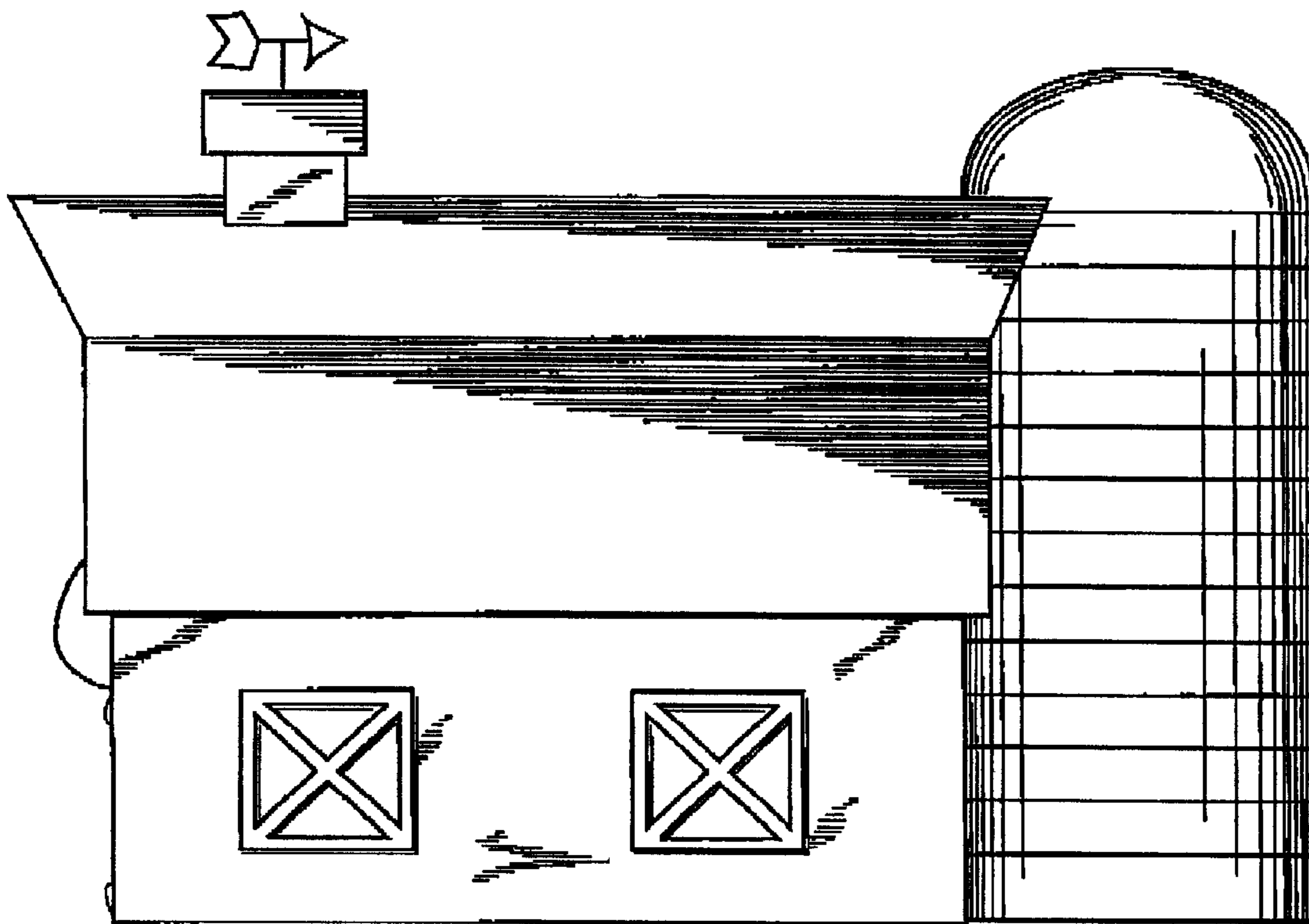


Figure 3

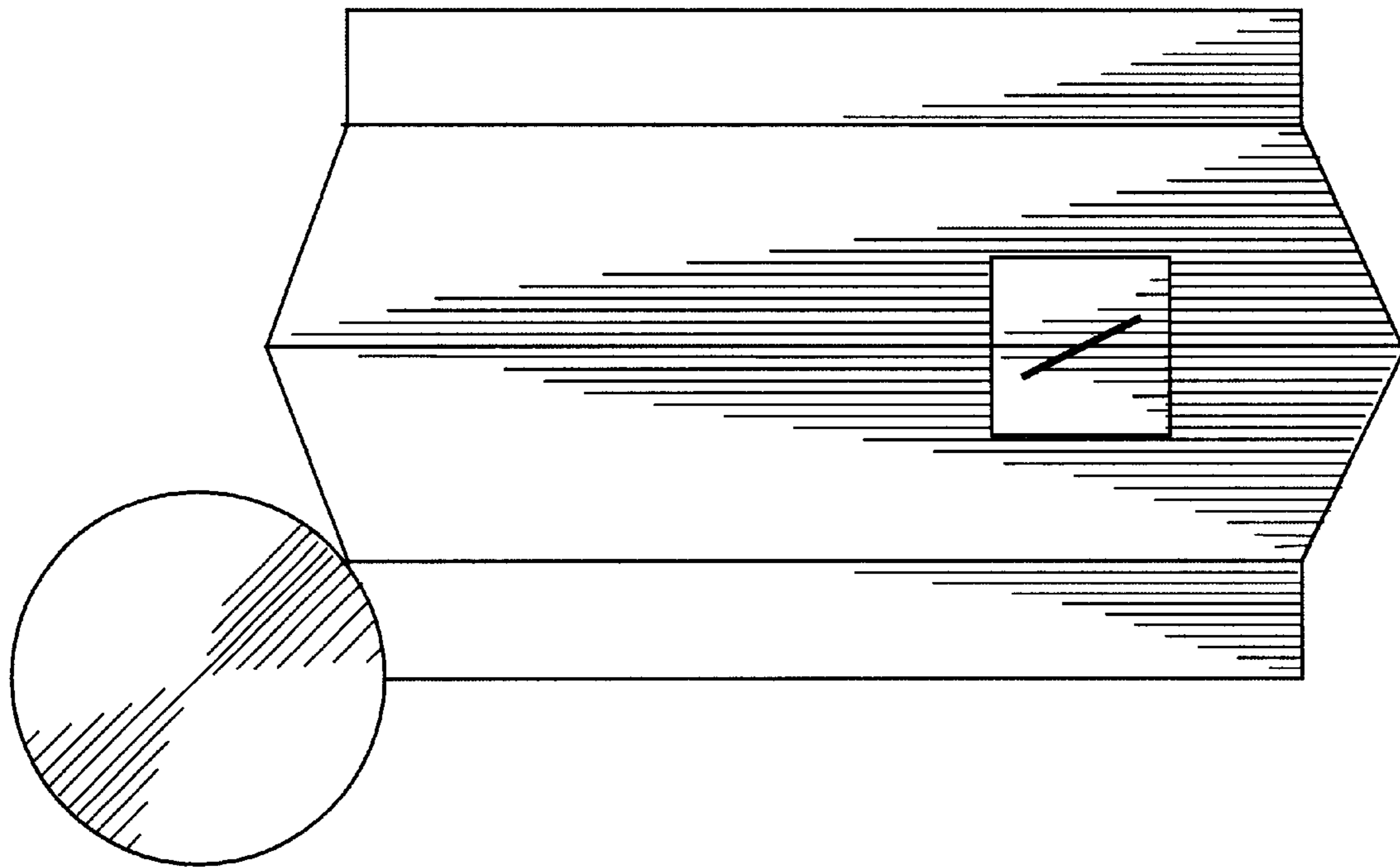


Figure 4

