



US00D526363S

(12) **United States Design Patent**  
**Goldblatt**

(10) **Patent No.:** **US D526,363 S**

(45) **Date of Patent:** **\*\* Aug. 8, 2006**

(54) **DECORATIVE HOLDER FOR  
SELF-ASSEMBLING PAPER  
INSERTS—TABLE TENT**

(75) Inventor: **Kenn Goldblatt**, Fort Worth, TX (US)

(73) Assignee: **TableTop Promotions, Inc.**, Fort  
Worth, TX (US)

(\*\*) Term: **14 Years**

(21) Appl. No.: **29/229,281**

(22) Filed: **May 5, 2005**

(51) **LOC (8) Cl.** ..... **20-03**

(52) **U.S. Cl.** ..... **D20/43**

(58) **Field of Classification Search** ..... D20/10,  
D20/11, 22, 23, 27, 28, 29, 34, 40, 41, 42,  
D20/43, 44, 99; D6/315, 320, 328, 314; D8/363,  
D8/367, 380, 394; 40/322, 617, 642.01, 642.02,  
40/661.08, 672, 771, 788; 223/85, 87, 91,  
223/97, 98; 248/125.2

See application file for complete search history.

(56) **References Cited**

**U.S. PATENT DOCUMENTS**

- D286,862 S \* 11/1986 Yu ..... D11/141
- D308,989 S \* 7/1990 Cohen ..... D20/42
- D334,598 S \* 4/1993 Burgess ..... D20/40
- D339,169 S \* 9/1993 Mendelsohn ..... D20/40
- D339,381 S \* 9/1993 Noreika ..... D20/40
- D350,566 S \* 9/1994 Pearson ..... D20/40
- D356,521 S \* 3/1995 Grube et al. .... D11/121
- 5,456,033 A \* 10/1995 Sachnoff ..... 40/661
- D377,054 S \* 12/1996 Noreika ..... D20/40

- D399,530 S \* 10/1998 Krattiger ..... D20/23
- D399,532 S \* 10/1998 Krattiger ..... D20/23
- 5,857,791 A \* 1/1999 Kenney ..... 400/718
- D416,050 S \* 11/1999 Caloia et al. .... D20/22
- D428,933 S \* 8/2000 Garfinkle ..... D20/43
- D436,379 S \* 1/2001 Holmberg ..... D20/40
- D445,837 S \* 7/2001 Waterhouse ..... D20/40
- D490,115 S \* 5/2004 Martin et al. .... D20/29

\* cited by examiner

*Primary Examiner*—Robert M. Spear

(57) **CLAIM**

The ornamental design for a decorative holder for self-assembling paper inserts—table tent, as shown and described.

**DESCRIPTION**

The article is intended to be used as a free-standing sign for retail advertising, promotion, and/or sales purposes.

Holder bottom is flat and unornamented.

The decorative holder of self-assembling paper inserts—table tent is designed to be a freestanding, marketing, sales and promotional tool to provide point-of-sale advertising messaging in a variety of situations. The holder's self assembling inserts allow user up to four separate message areas on the two sides of the holder on which messages can be observed.

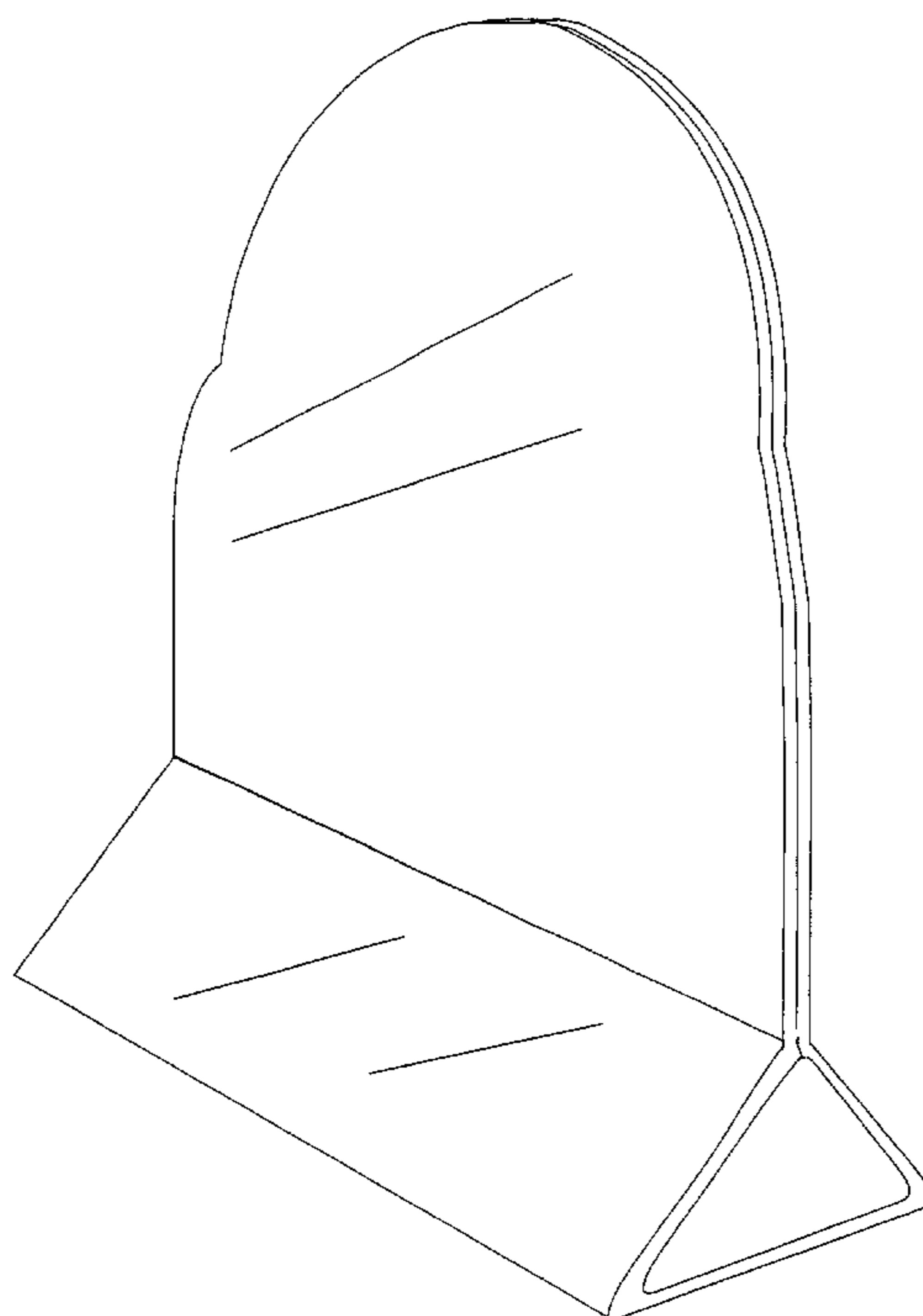
FIG. 1: Front elevation (Rear elevation is a mirror image of Front elevation)

FIG. 2: Top plan

FIG. 3: Side elevational; and,

FIG. 4: Perspective view.

**1 Claim, 2 Drawing Sheets**



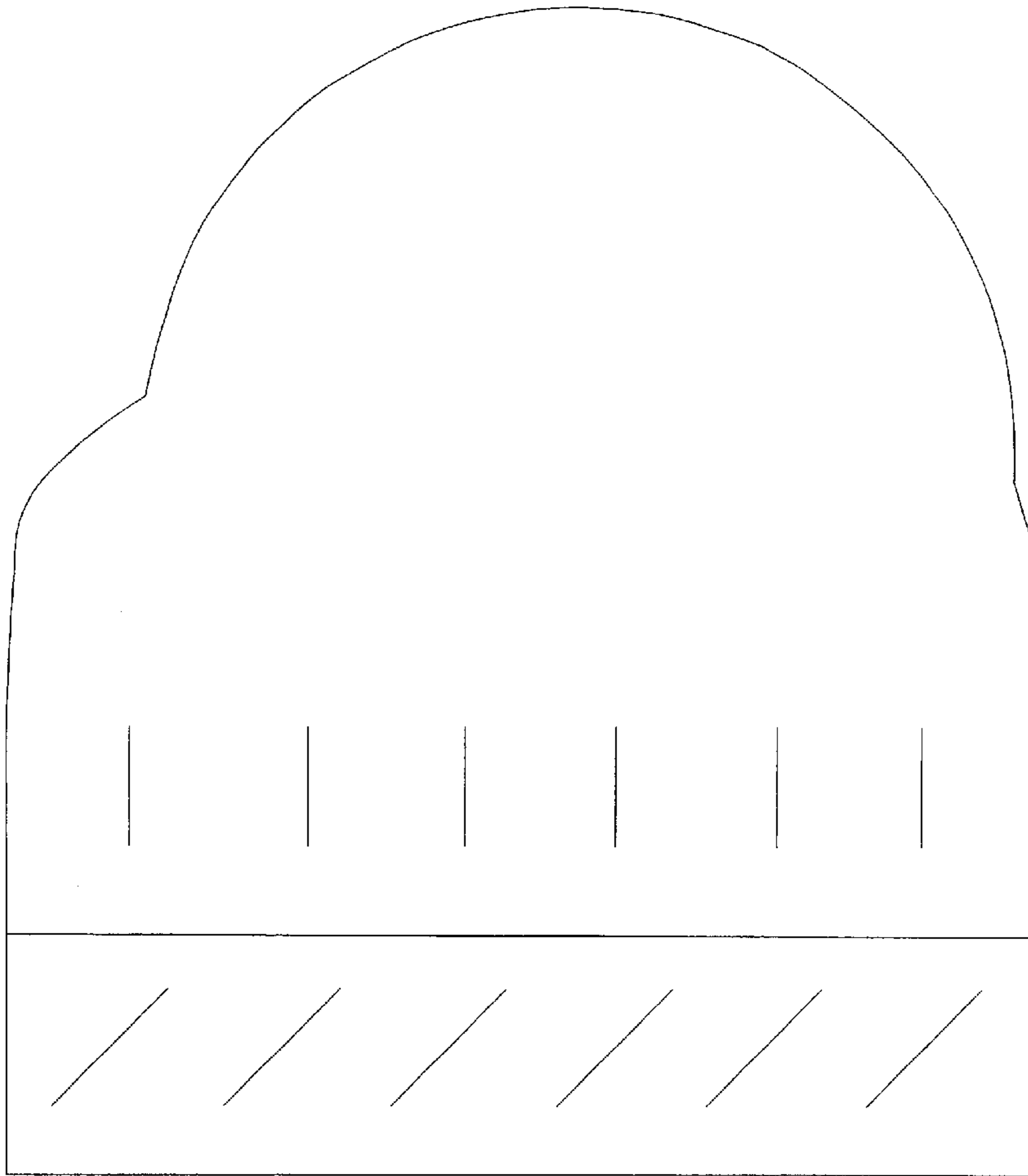


Fig. 1

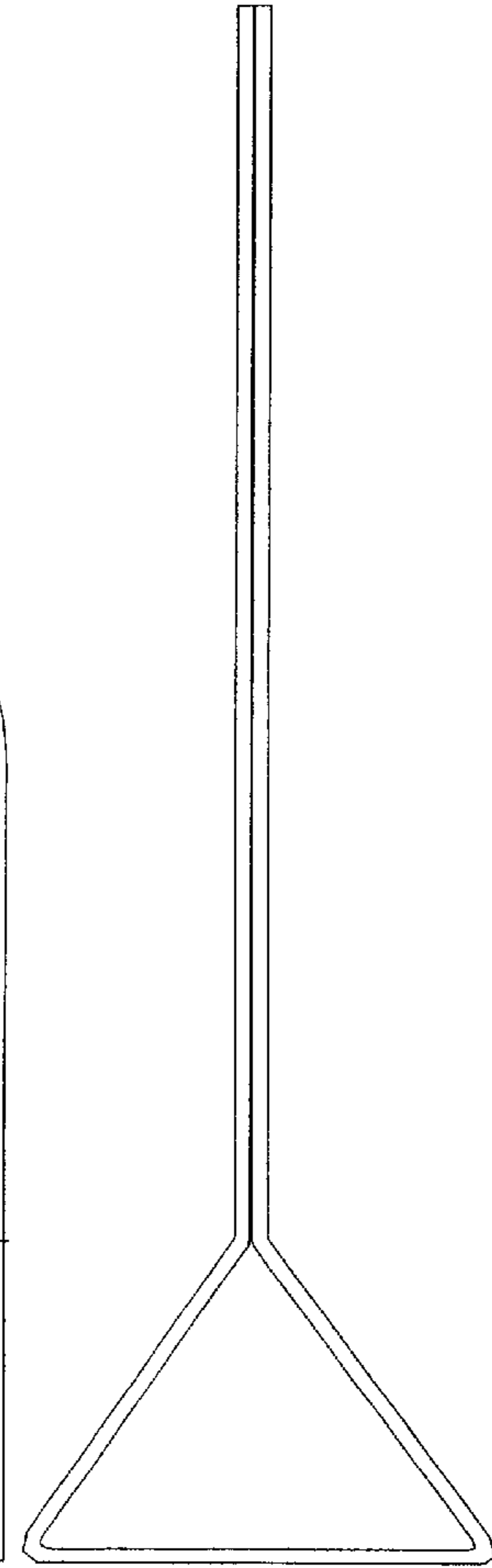


Fig. 3

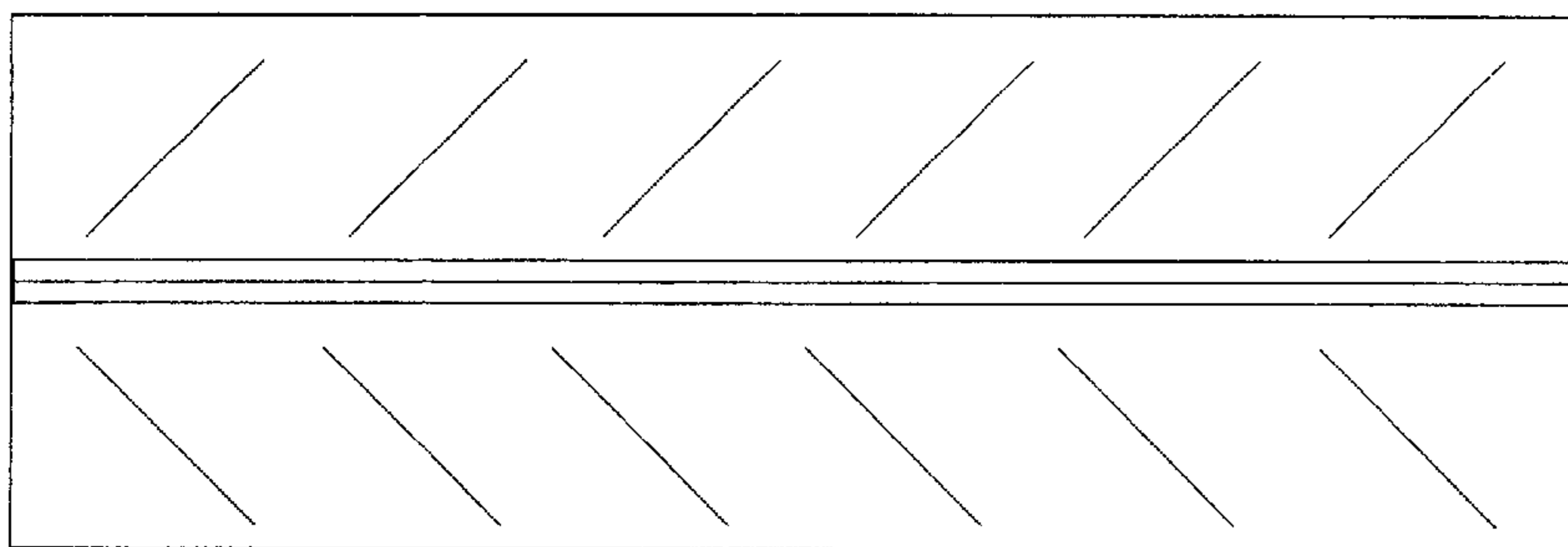


Fig. 2

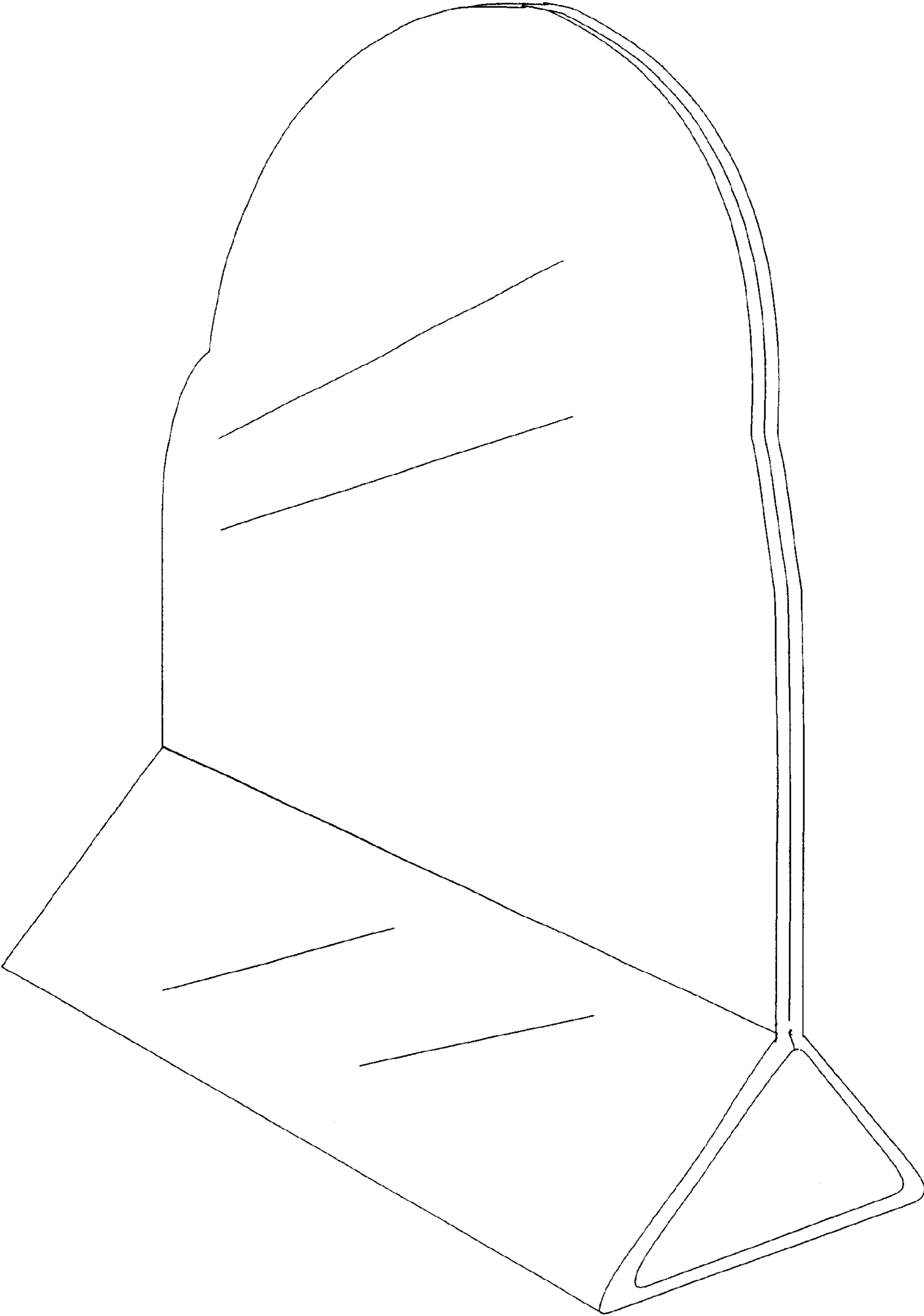


Fig. 4

UNITED STATES PATENT AND TRADEMARK OFFICE  
**CERTIFICATE OF CORRECTION**

PATENT NO. : Des. 526,363 S  
APPLICATION NO. : 29/229281  
DATED : August 8, 2006  
INVENTOR(S) : Kenn Goldblatt

Page 1 of 4

It is certified that error appears in the above-identified patent and that said Letters Patent is hereby corrected as shown below:

On the title page and drawing sheets, replace the drawing figures with those as shown on the attached sheets.

Signed and Sealed this

Fifth Day of December, 2006

A handwritten signature in black ink on a dotted background. The signature reads "Jon W. Dudas" in a cursive style.

JON W. DUDAS

*Director of the United States Patent and Trademark Office*

(12) **United States Design Patent** (10) Patent No.: **US D526,363 S**  
**Goldblatt** (45) Date of Patent: **\*\* Aug. 8, 2006**

(54) **DECORATIVE HOLDER FOR SELF-ASSEMBLING PAPER INSERTS—TABLE TENT**

(75) Inventor: **Kenn Goldblatt, Fort Worth, TX (US)**

(73) Assignee: **TableTop Promotions, Inc., Fort Worth, TX (US)**

(\*\*) Term: **14 Years**

(21) Appl. No.: **29/229,281**

(22) Filed: **May 5, 2005**

(51) LOC (8) Cl. .... **20-03**

(52) U.S. Cl. .... **D20/43**

(58) Field of Classification Search ..... D20/10, D20/11, 22, 23, 27, 28, 29, 34, 40, 41, 42, D20/43, 44, 99; D6/315, 320, 328, 314; D8/363, D8/367, 380, 394; 40/322, 617, 642.01, 642.02, 40/661.08, 672, 771, 788; 223/85, 87, 91, 223/97, 98; 248/125.2

See application file for complete search history.

(56) **References Cited**

**U.S. PATENT DOCUMENTS**

- D286,862 S \* 11/1986 Yu ..... D11/141
- D308,989 S \* 7/1990 Cohen ..... D20/42
- D334,598 S \* 4/1993 Burgess ..... D20/40
- D339,169 S \* 9/1993 Mendelsohn ..... D20/40
- D339,381 S \* 9/1993 Noreika ..... D20/40
- D350,566 S \* 9/1994 Pearson ..... D20/40
- D356,521 S \* 3/1995 Grube et al. .... D11/121
- 5,456,033 A \* 10/1995 Sachnoff ..... 40/661
- D377,854 S \* 12/1996 Noreika ..... D20/40

- D399,530 S \* 10/1998 Krattiger ..... D20/23
- D399,532 S \* 10/1998 Krattiger ..... D20/23
- 5,857,791 A \* 1/1999 Kenney ..... 400/718
- D416,050 S \* 11/1999 Caloia et al. .... D20/22
- D428,933 S \* 8/2000 Gurfinkle ..... D20/43
- D436,379 S \* 1/2001 Holmberg ..... D20/40
- D445,837 S \* 7/2001 Waterhouse ..... D20/40
- D490,115 S \* 5/2004 Martin et al. .... D20/29

\* cited by examiner

Primary Examiner—Robert M. Spear

(57) **CLAIM**

The ornamental design for a decorative holder for self-assembling paper inserts—table tent, as shown and described.

**DESCRIPTION**

The article is intended to be used as a free-standing sign for retail advertising, promotion, and/or sales purposes.

Holder bottom is flat and unornamented.

The decorative holder of self-assembling paper inserts—table tent is designed to be a freestanding, marketing, sales and promotional tool to provide point-of-sale advertising messaging in a variety of situations. The holder's self assembling inserts allow user up to four separate message areas on the two sides of the holder on which messages can be observed.

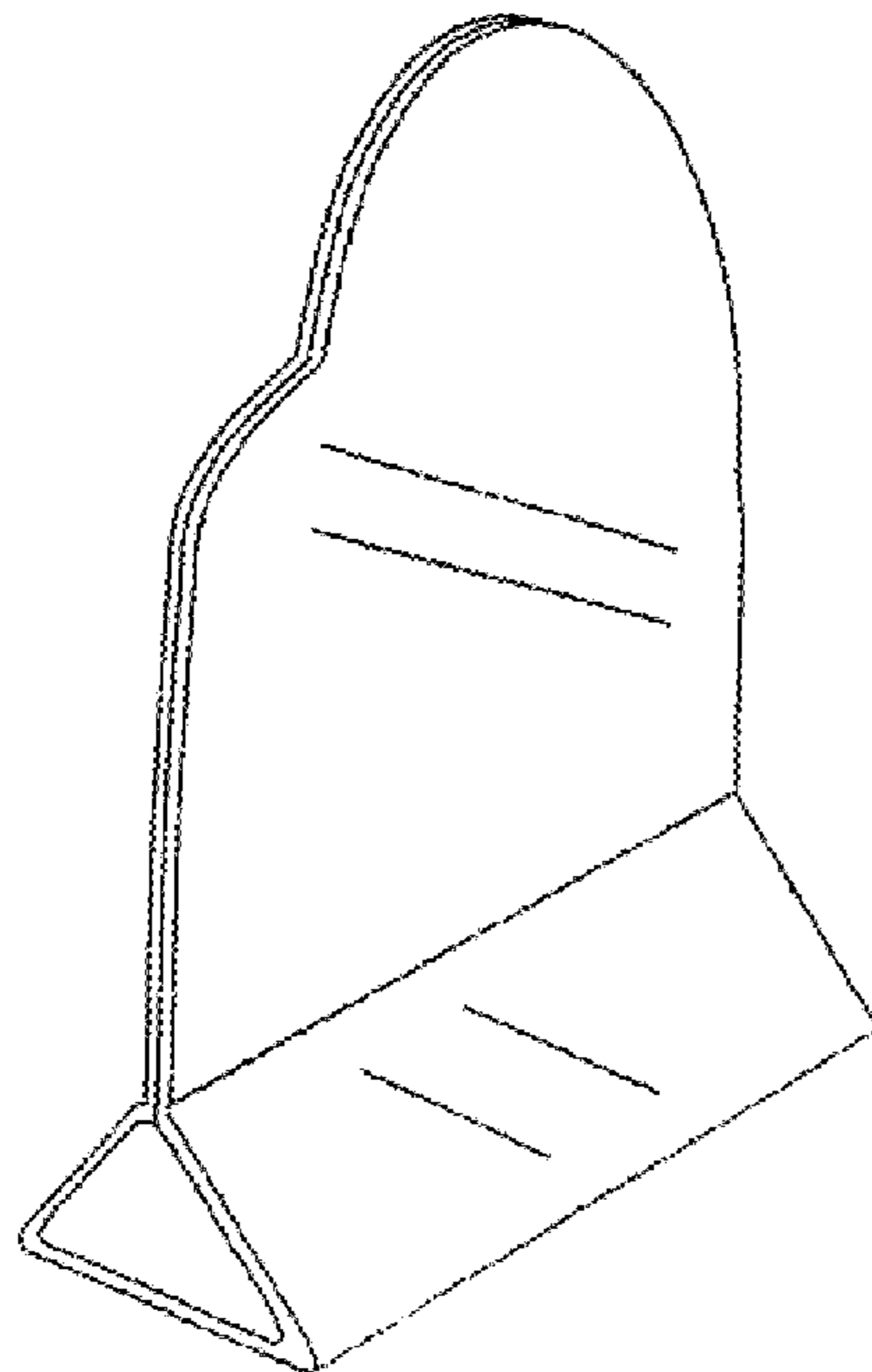
FIG. 1: Front elevation (Rear elevation is a mirror image of Front elevation)

FIG. 2: Top plan

FIG. 3: Side elevational; and,

FIG. 4: Perspective view.

**1 Claim, 2 Drawing Sheets**



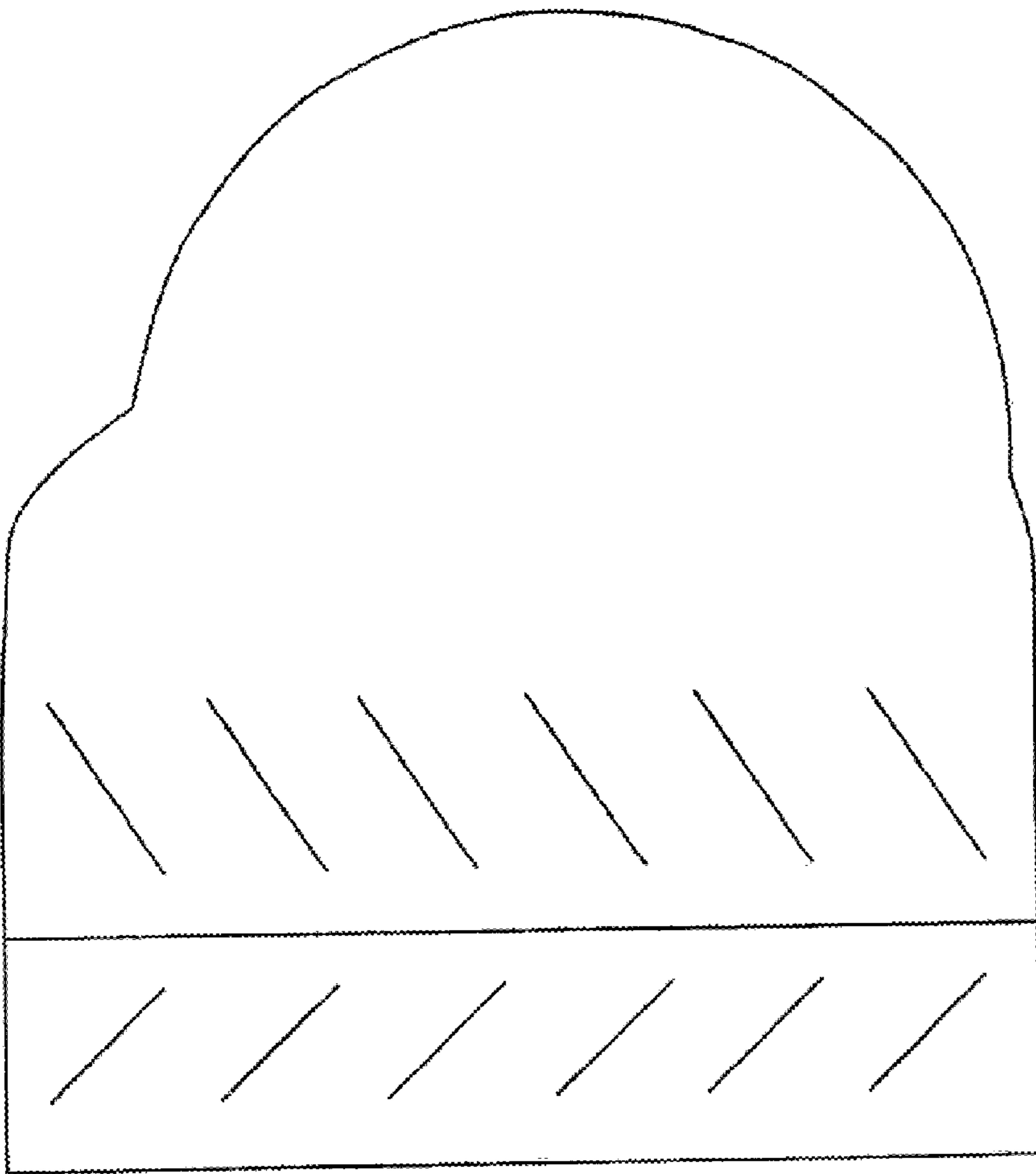


Fig. 1

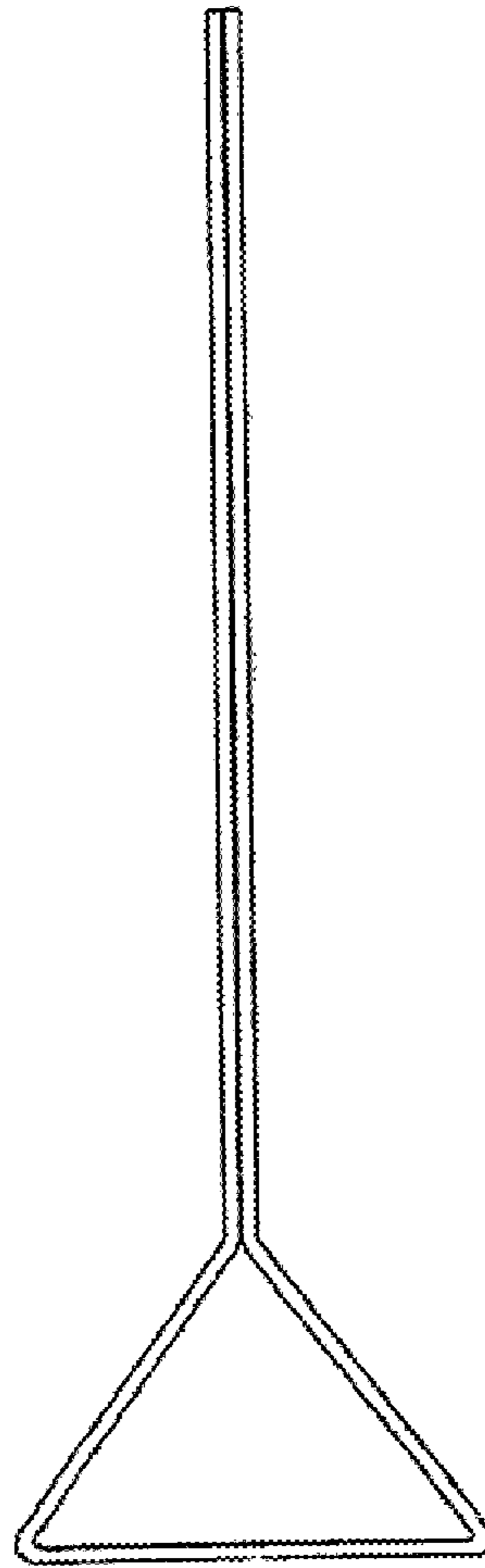


Fig. 3

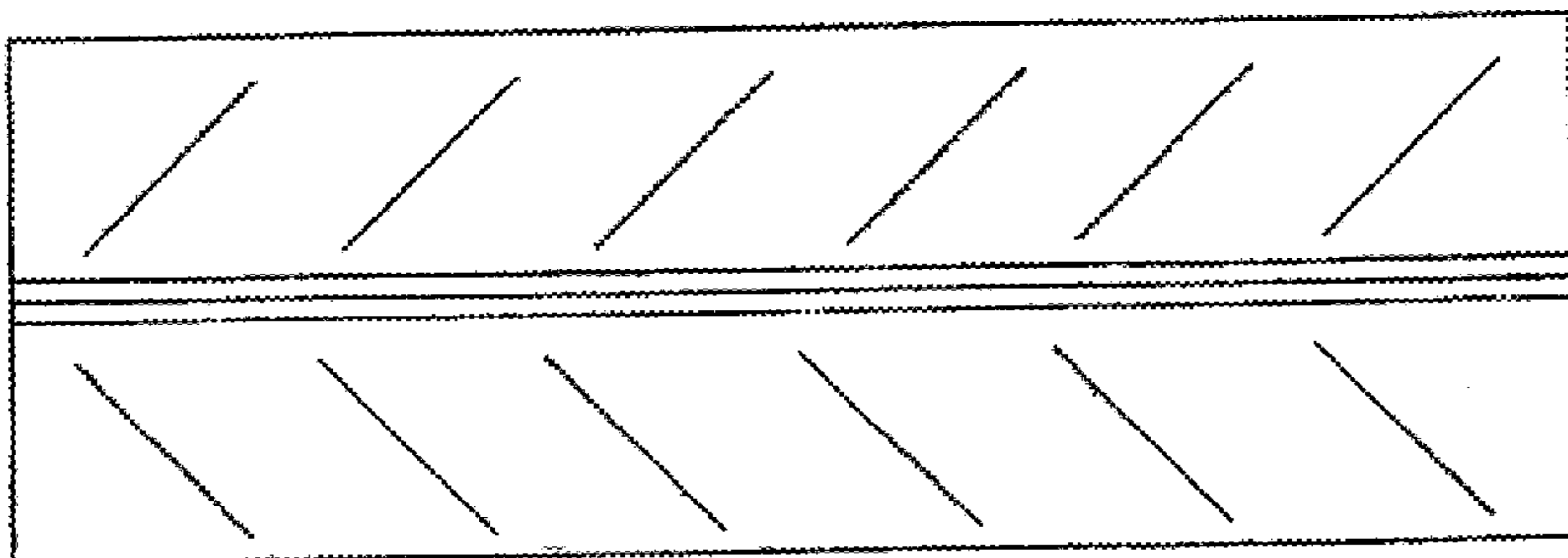


Fig. 2

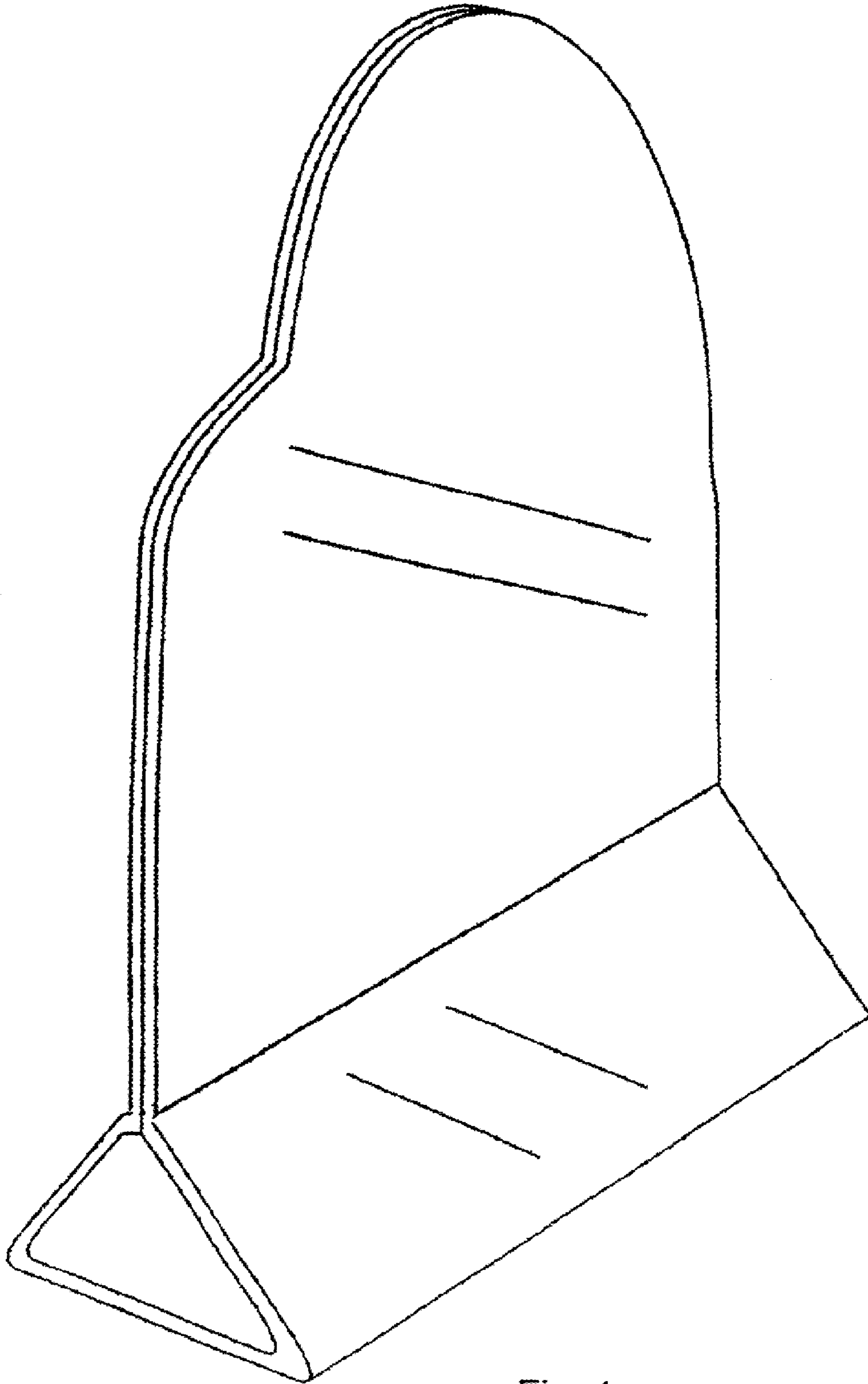


Fig. 4