



US00D526359S

(12) **United States Design Patent**
Takeuchi

(10) **Patent No.:** **US D526,359 S**

(45) **Date of Patent:** **** Aug. 8, 2006**

(54) **BANK NOTE DISTINGUISHING APPARATUS
COVER BEZEL**

(75) Inventor: **Toru Takeuchi**, Iwatsuki (JP)

(73) Assignee: **Asahi Seiko Co., Ltd.**, Tokyo (JP)

(**) Term: **14 Years**

(21) Appl. No.: **29/227,948**

(22) Filed: **Apr. 15, 2005**

(30) **Foreign Application Priority Data**

Nov. 29, 2004 (JP) 2004-036283

(51) **LOC (8) Cl.** **20-01**

(52) **U.S. Cl.** **D20/8**

(58) **Field of Classification Search** D20/1,
D20/2, 3, 4, 5, 6, 7, 8, 9, 99; D7/301, 304,
D7/305, 307, 308, 312, 313, 398; D23/284;
194/239, 320, 342, 350, 351, 352, 906; 221/92,
221/96, 104, 151, 155, 191, 194; 239/28,
239/29; 700/232

See application file for complete search history.

(56) **References Cited**

U.S. PATENT DOCUMENTS

1,065,100 A * 6/1913 Angell 194/350
4,159,054 A * 6/1979 Yoshida 194/350
6,383,070 B1 * 5/2002 Tamaki 453/57
6,638,157 B1 * 10/2003 Perkitny 453/13

D488,512 S * 4/2004 Knobel D20/8
2001/0054619 A1 * 12/2001 Goldberg et al. 221/155

* cited by examiner

Primary Examiner—Robert M. Spear

(74) *Attorney, Agent, or Firm*—McGlew & Tuttle, P.C.

(57) **CLAIM**

The ornamental design for a bank note distinguishing apparatus cover bezel, as shown and described.

DESCRIPTION

FIG. 1 is a perspective view of my new bank note distinguishing apparatus cover bezel design showing environment in the form of a bank note distinguishing apparatus which is connected to a vending machine or money changing machine;

FIG. 2 is a front view of my bezel design;

FIG. 3 is a rear view thereof;

FIG. 4 is a top plan view;

FIG. 5 is a bottom view thereof;

FIG. 6 is a left side view thereof;

FIG. 7 is a right side view thereof;

FIG. 8 is a sectional view taken along line 8—8 of FIG. 2;

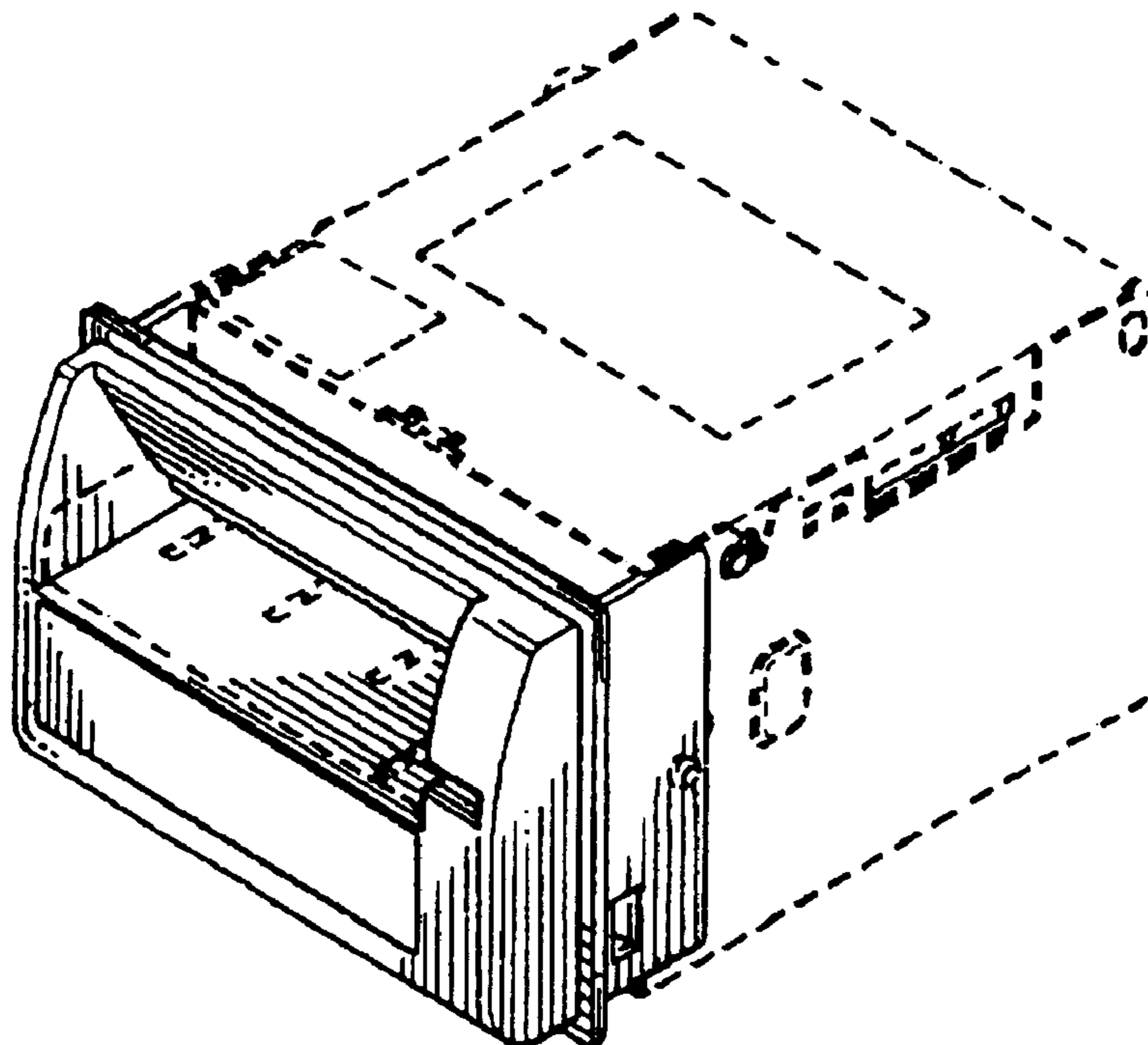
FIG. 9 is a sectional view taken along line 9—9 of FIG. 2;

and,

FIG. 10 is a sectional view taken along line 10—10 of FIG. 2.

The broken lines in the drawings represent unclaimed environmental subject matter.

1 Claim, 10 Drawing Sheets



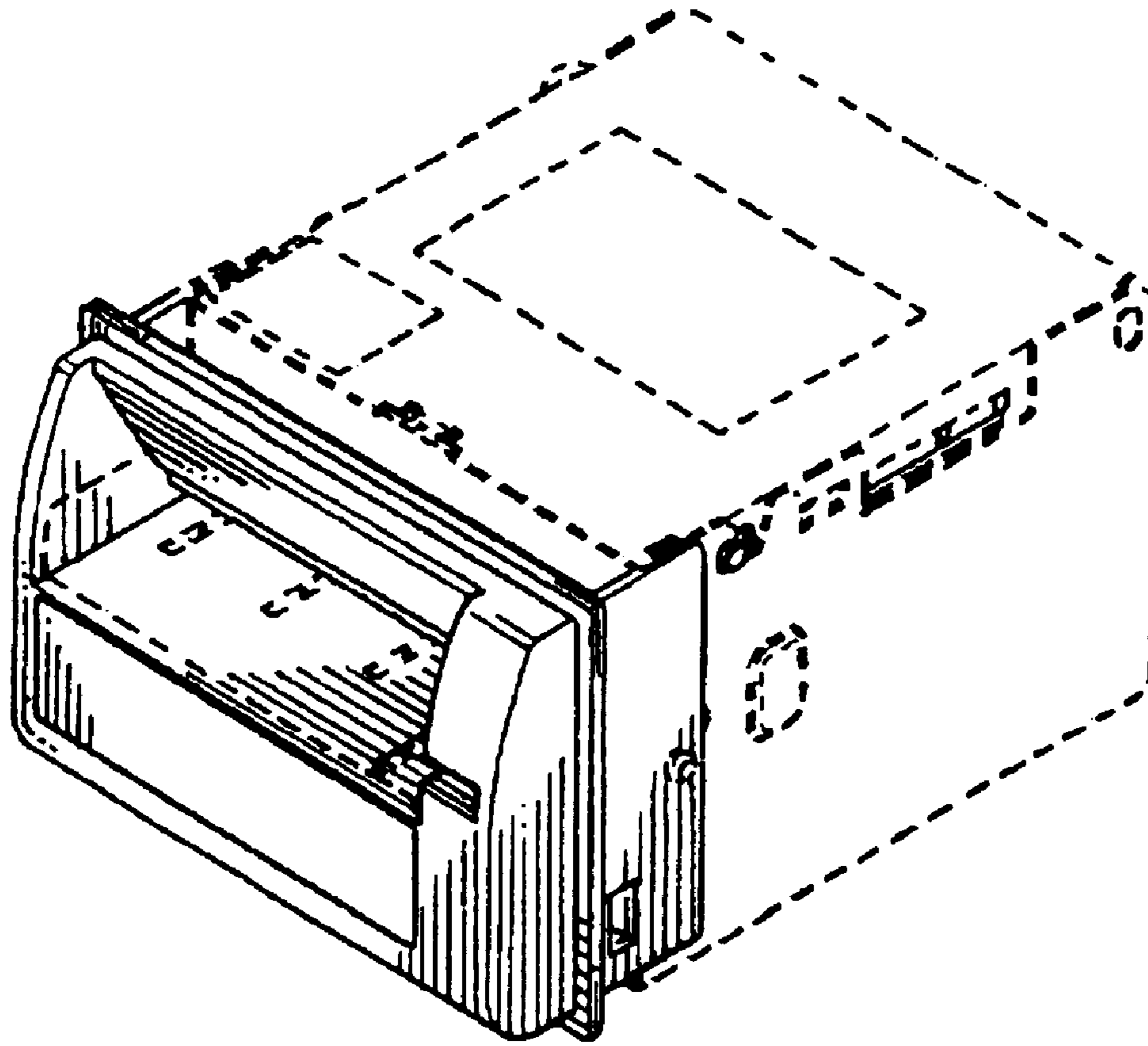


Fig. 1

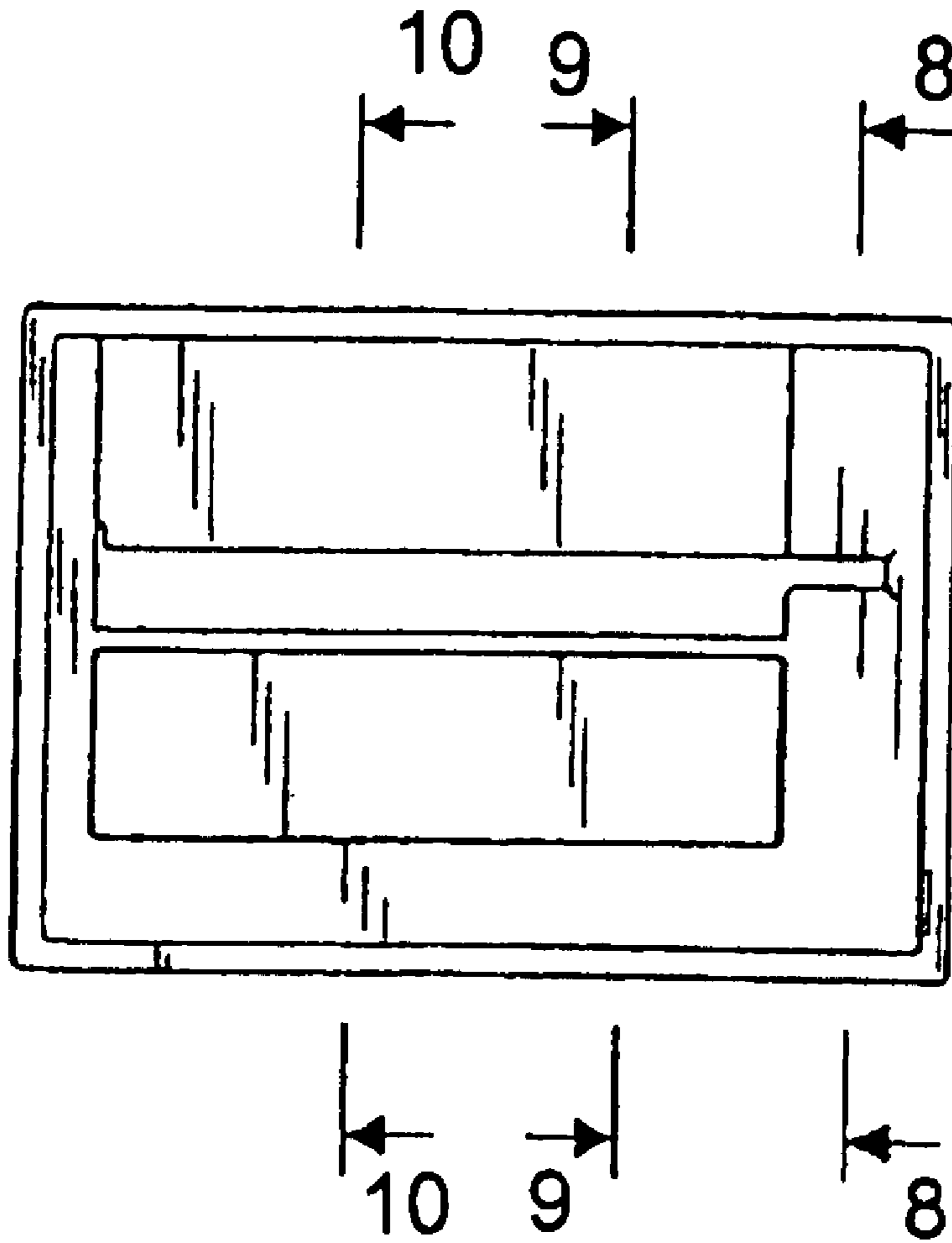


Fig. 2

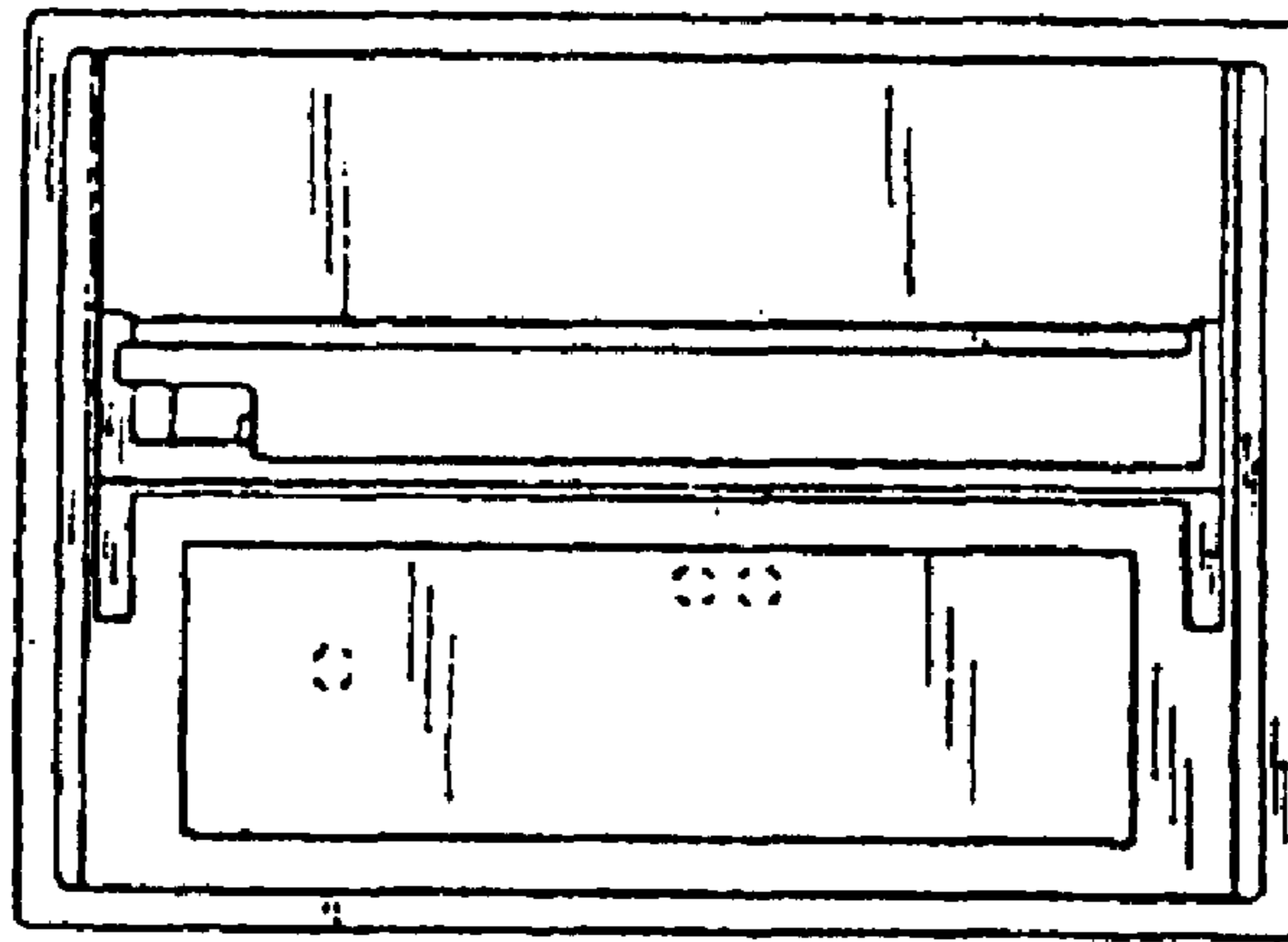


Fig. 3

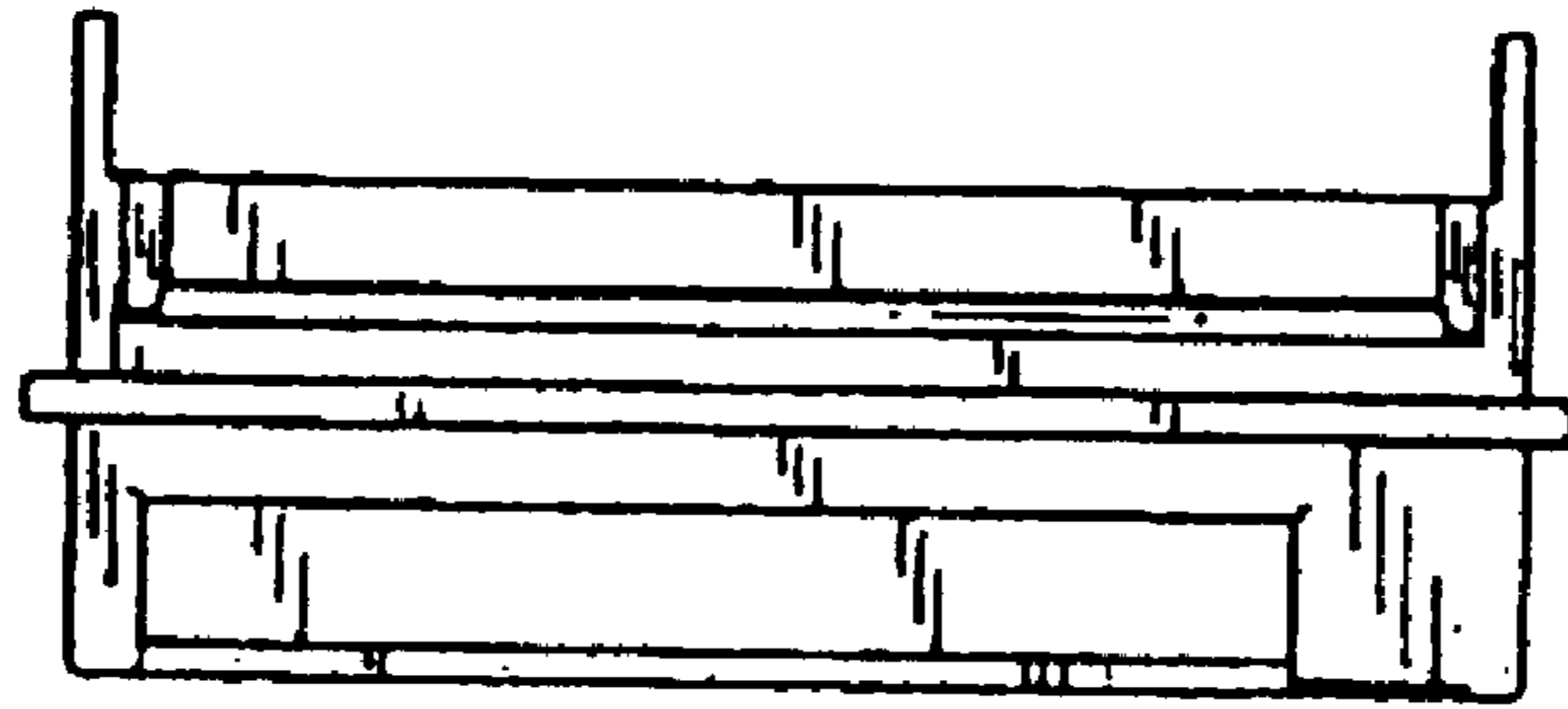


Fig. 4

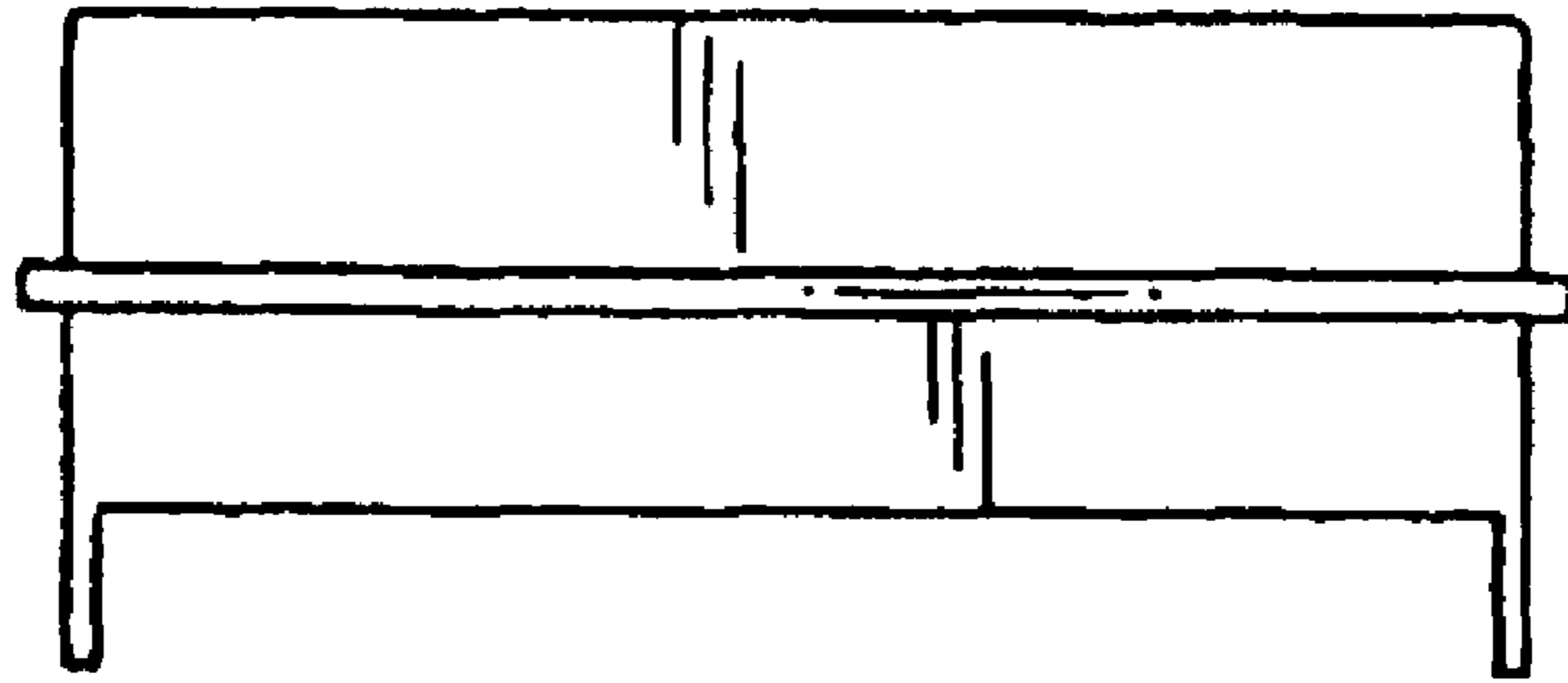


Fig. 5

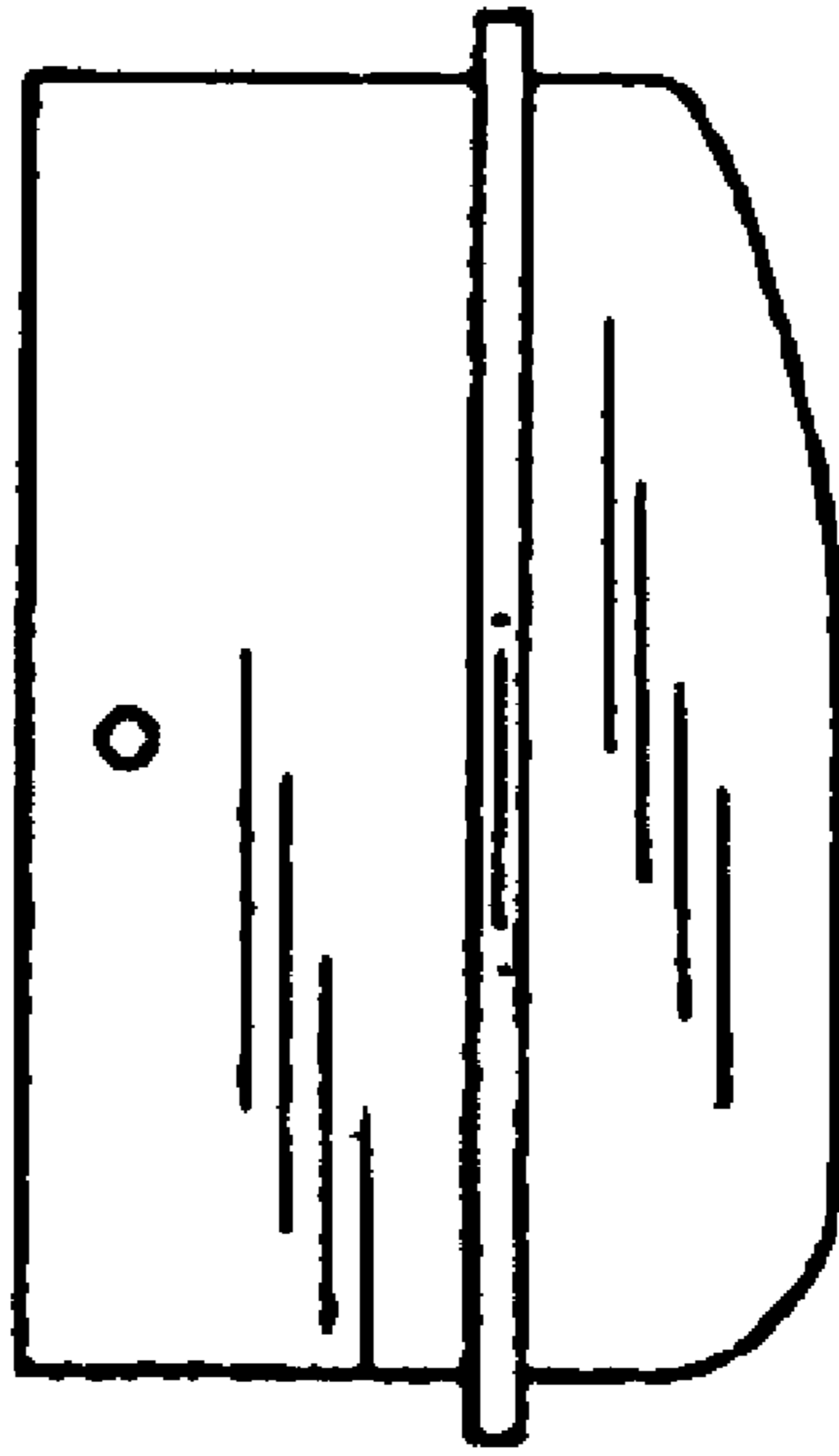


Fig. 6

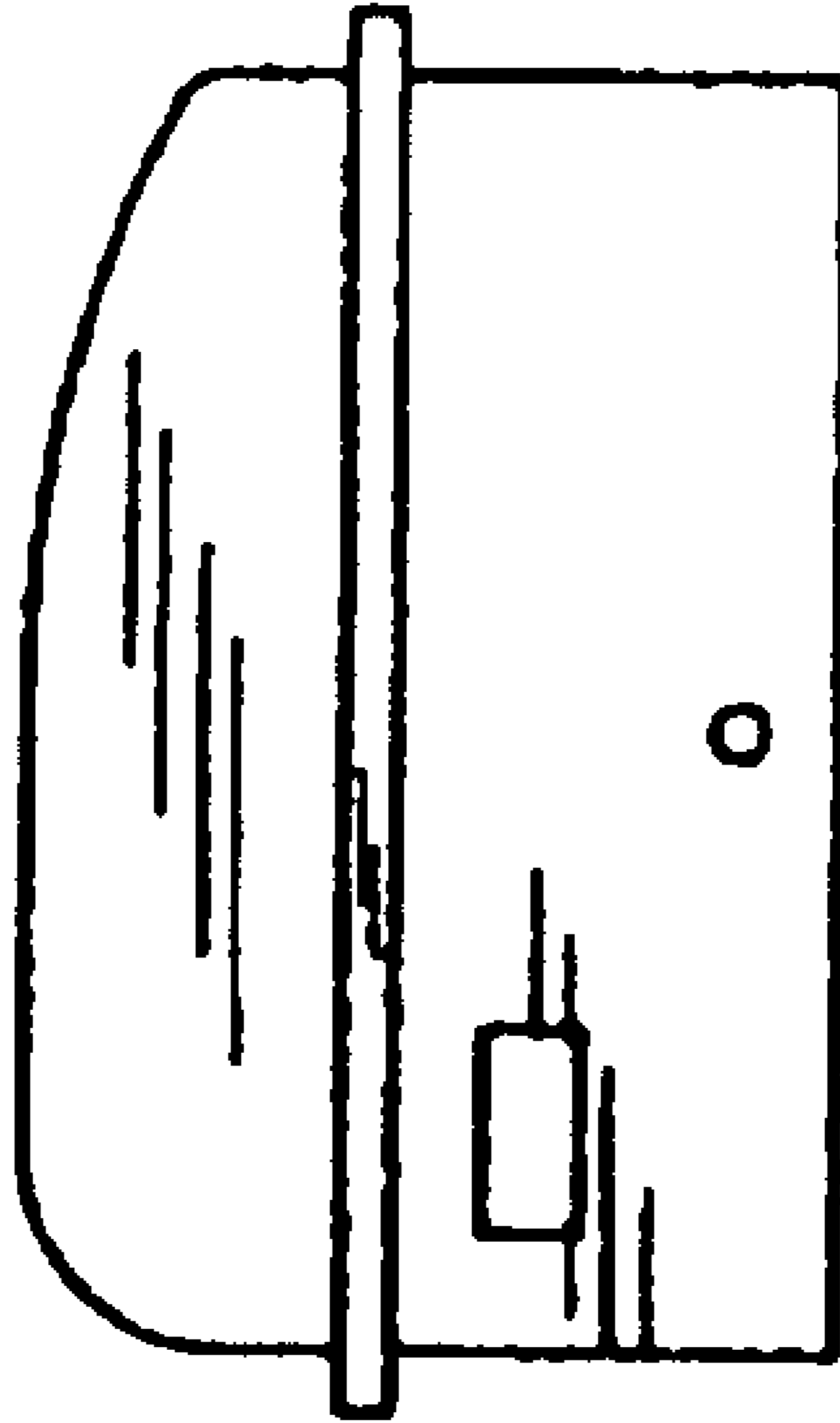


Fig. 7

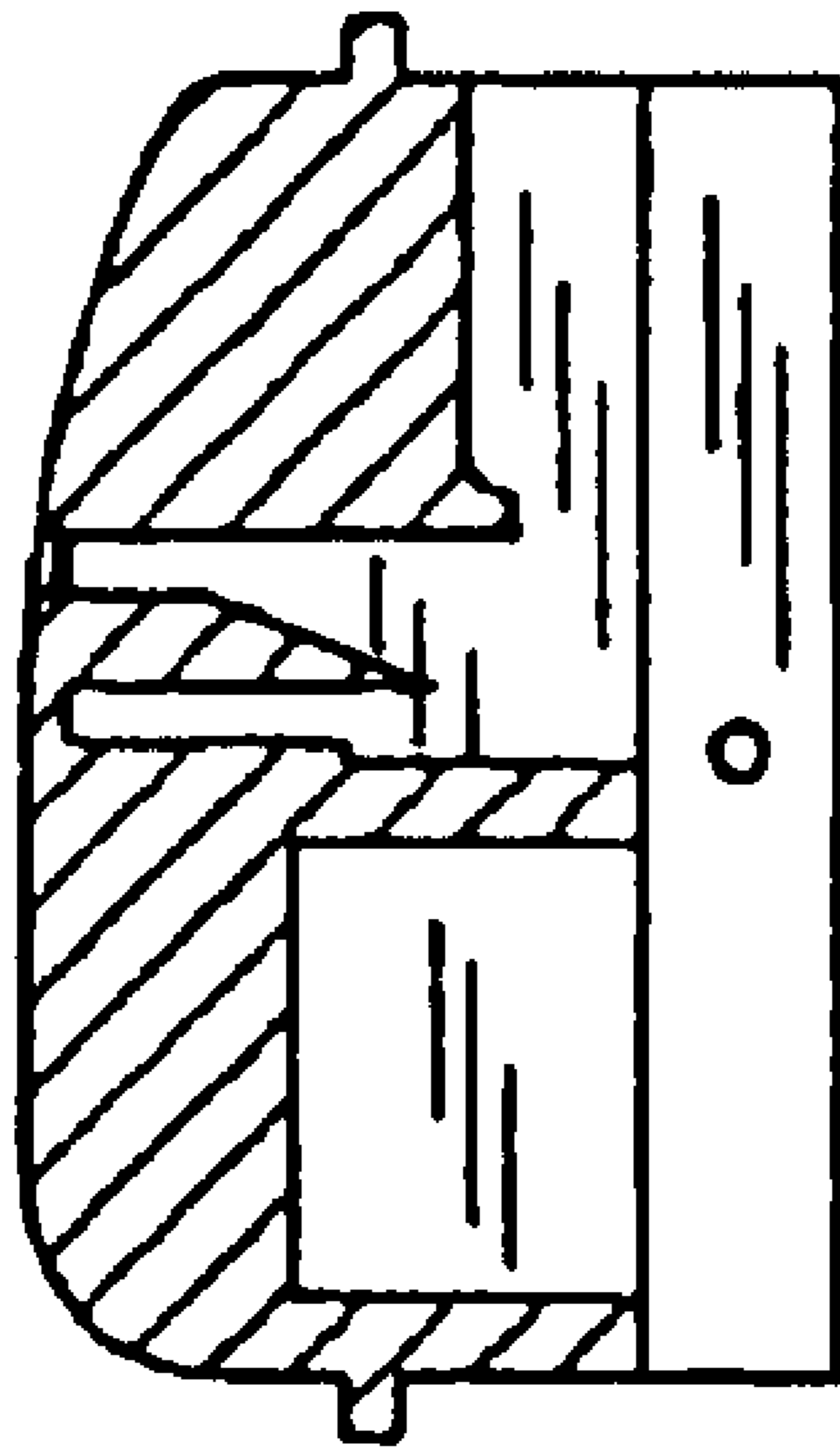


Fig. 8

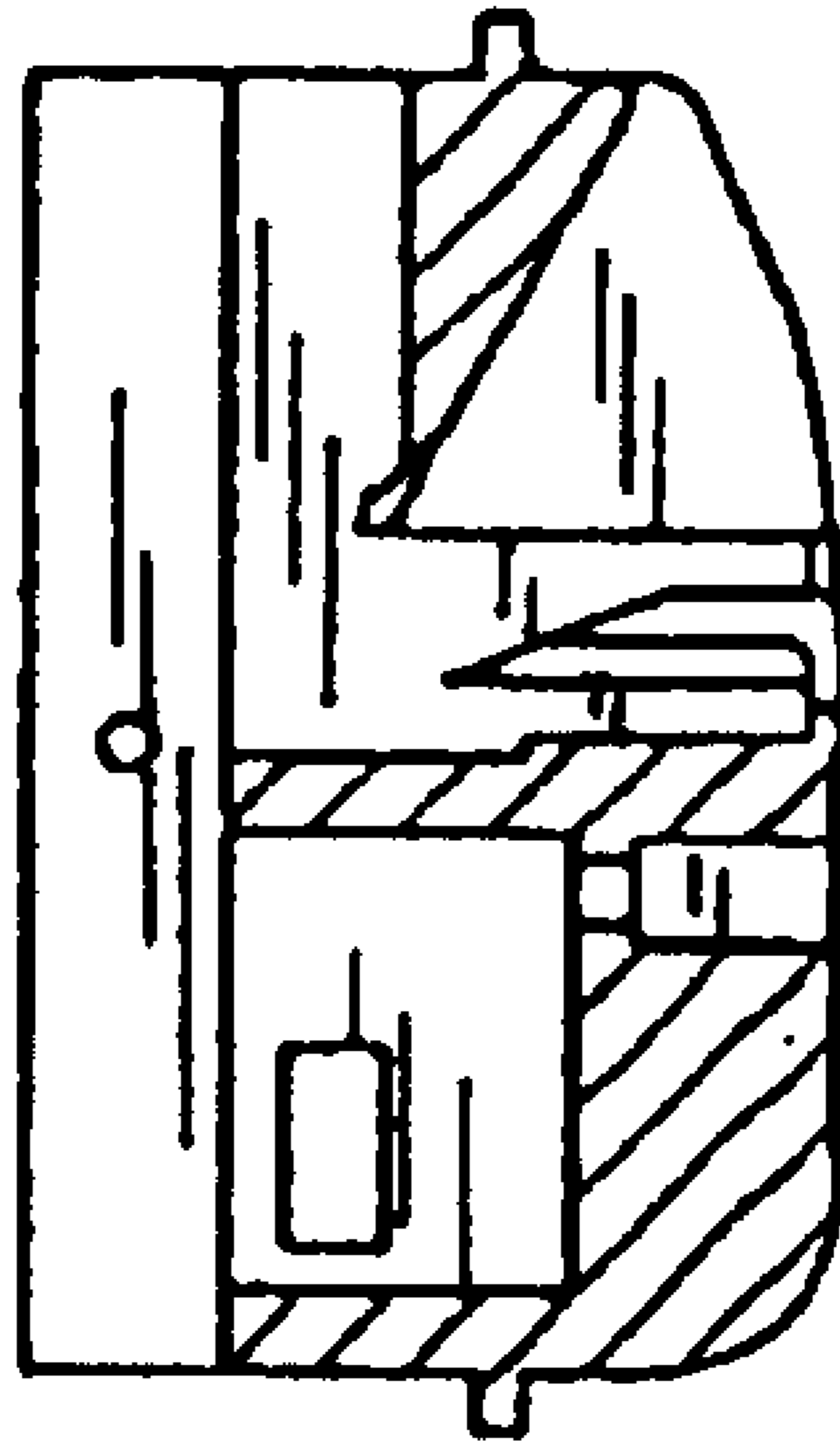


Fig. 9

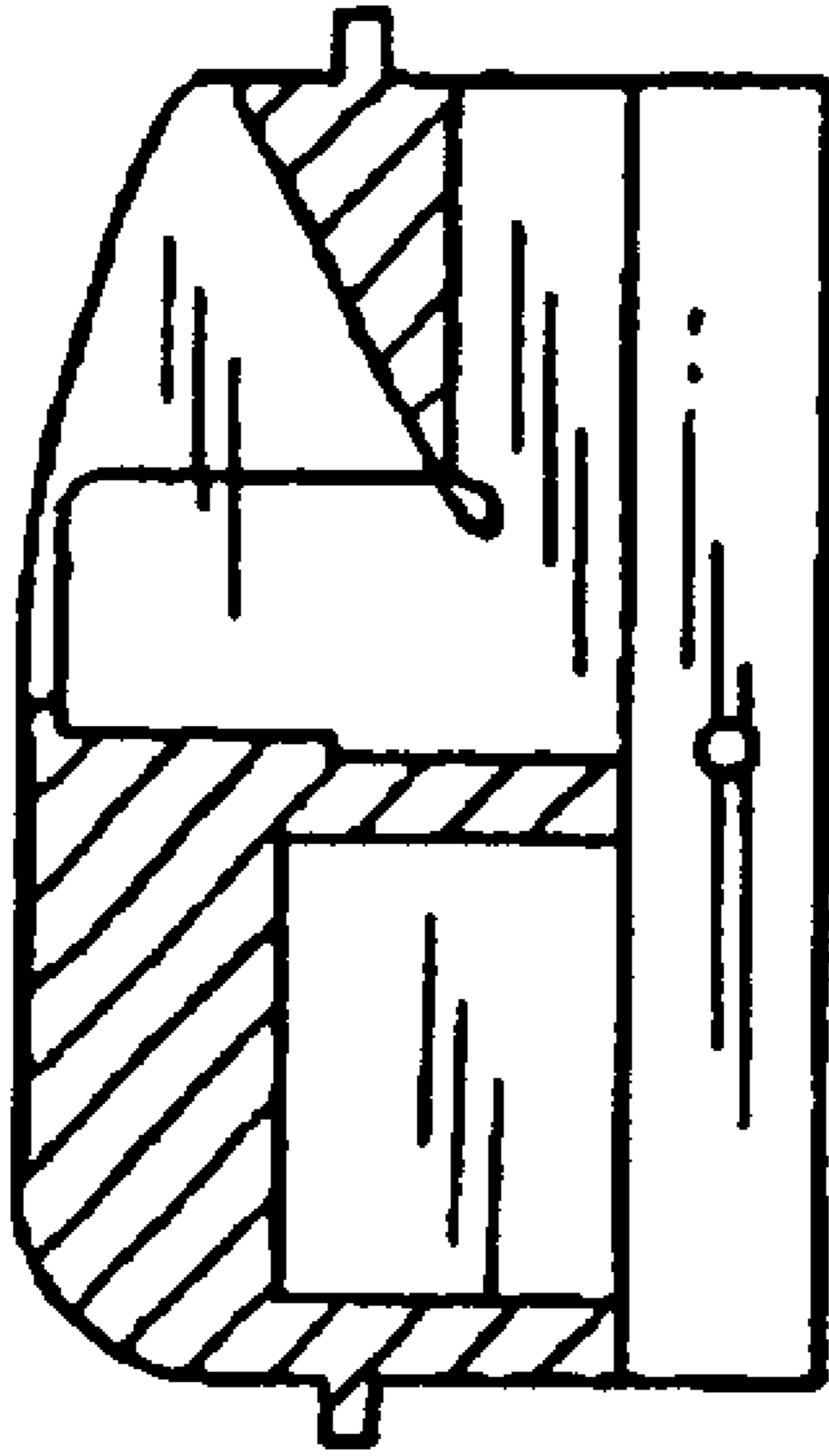


Fig. 10