



US00D526355S

(12) **United States Design Patent**
Shimada et al.

(10) **Patent No.:** **US D526,355 S**

(45) **Date of Patent:** **** Aug. 8, 2006**

(54) **BINDER**

(75) Inventors: **Hiroshi Shimada**, Tokyo (JP); **Daichi Kumai**, Tokyo (JP); **Junya Tamura**, Tokyo (JP); **Kouichi Tanimoto**, Tokyo (JP)

(73) Assignee: **Kabushiki Kaisha King Jim**, Tokyo (JP)

(**) Term: **14 Years**

(21) Appl. No.: **29/213,654**

(22) Filed: **Sep. 22, 2004**

(30) **Foreign Application Priority Data**

Jul. 14, 2004	(JP)	2004-021286
Jul. 14, 2004	(JP)	2004-021287
Jul. 14, 2004	(JP)	2004-021288
Jul. 14, 2004	(JP)	2004-021289

(51) **LOC (8) Cl.** **19-04**

(52) **U.S. Cl.** **D19/32**

(58) **Field of Classification Search** D19/26, D19/27, 28, 29, 30, 31, 32, 33; 281/2, 3.1, 281/15.1, 19.1, 21.1, 22, 29, 31, 38; 402/4, 402/31, 34, 35, 36, 37, 38, 39, 40, 73, 80 R
See application file for complete search history.

(56) **References Cited**

U.S. PATENT DOCUMENTS

3,333,592	A	*	8/1967	Huffaker	402/34
4,690,580	A	*	9/1987	Kissel	402/39
4,832,521	A	*	5/1989	Handler	402/34

D382,593	S	*	8/1997	To	D19/32
D392,998	S	*	3/1998	Chan	D19/32
D446,810	S	*	8/2001	Faulstich	D19/27
6,659,676	B1	*	12/2003	Zheng	402/60
6,913,408	B1	*	7/2005	Tsujino	402/70
D509,535	S	*	9/2005	Tsujino	D19/32
2003/0044221	A1	*	3/2003	To et al.	402/41

* cited by examiner

Primary Examiner—Elizabeth A. Albert

(74) *Attorney, Agent, or Firm*—Rader, Fishman & Grauer PLLC

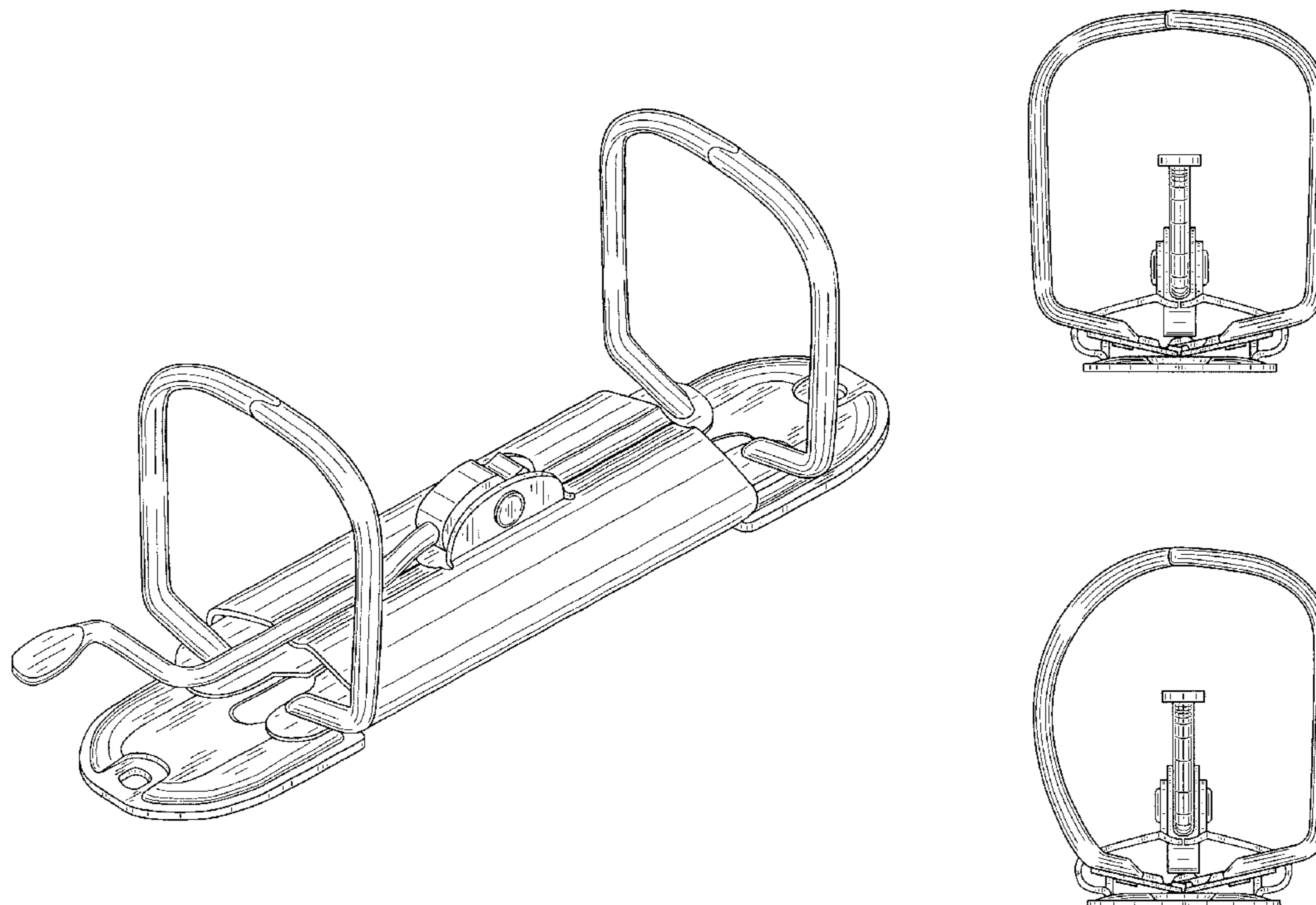
(57) **CLAIM**

The ornamental design for a binder, as shown and described.

DESCRIPTION

FIG. 1 is a perspective view of a first embodiment of a binder showing our new design;
FIG. 2 is a front elevational view thereof;
FIG. 3 is a rear elevational view thereof;
FIG. 4 is a right side elevational view thereof, a left side elevational view being a mirror image thereof;
FIG. 5 is a top plan view thereof;
FIG. 6 is a bottom plan view thereof;
FIG. 7 is a perspective view of a second embodiment of a binder showing our new design;
FIG. 8 is a front elevational view thereof;
FIG. 9 is a rear elevational view thereof;
FIG. 10 is a right side elevational view thereof;
FIG. 11 is a left side elevational view thereof;
FIG. 12 is a top plan view thereof; and,
FIG. 13 is a bottom plan view thereof.

1 Claim, 8 Drawing Sheets



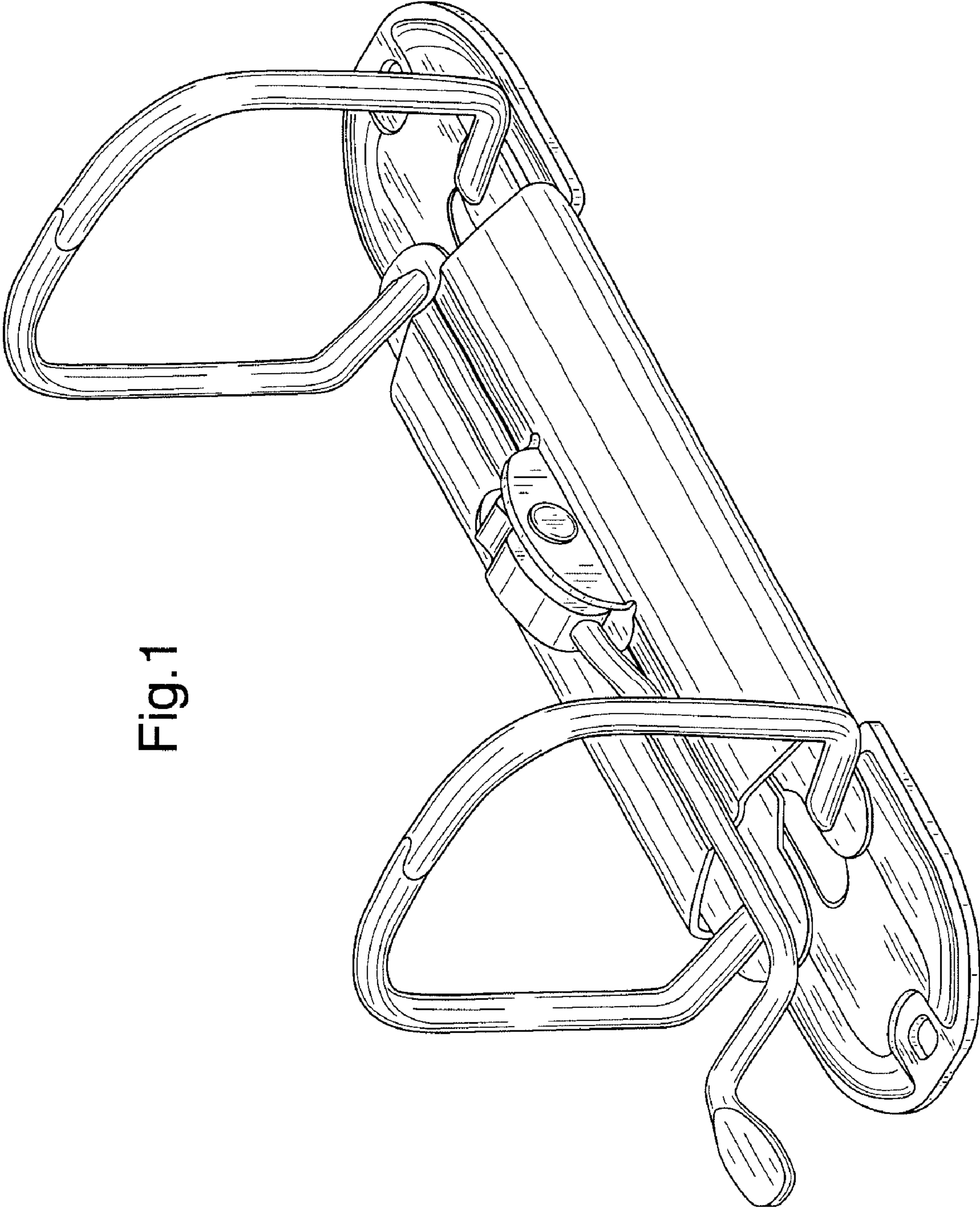


Fig.1

Fig.2

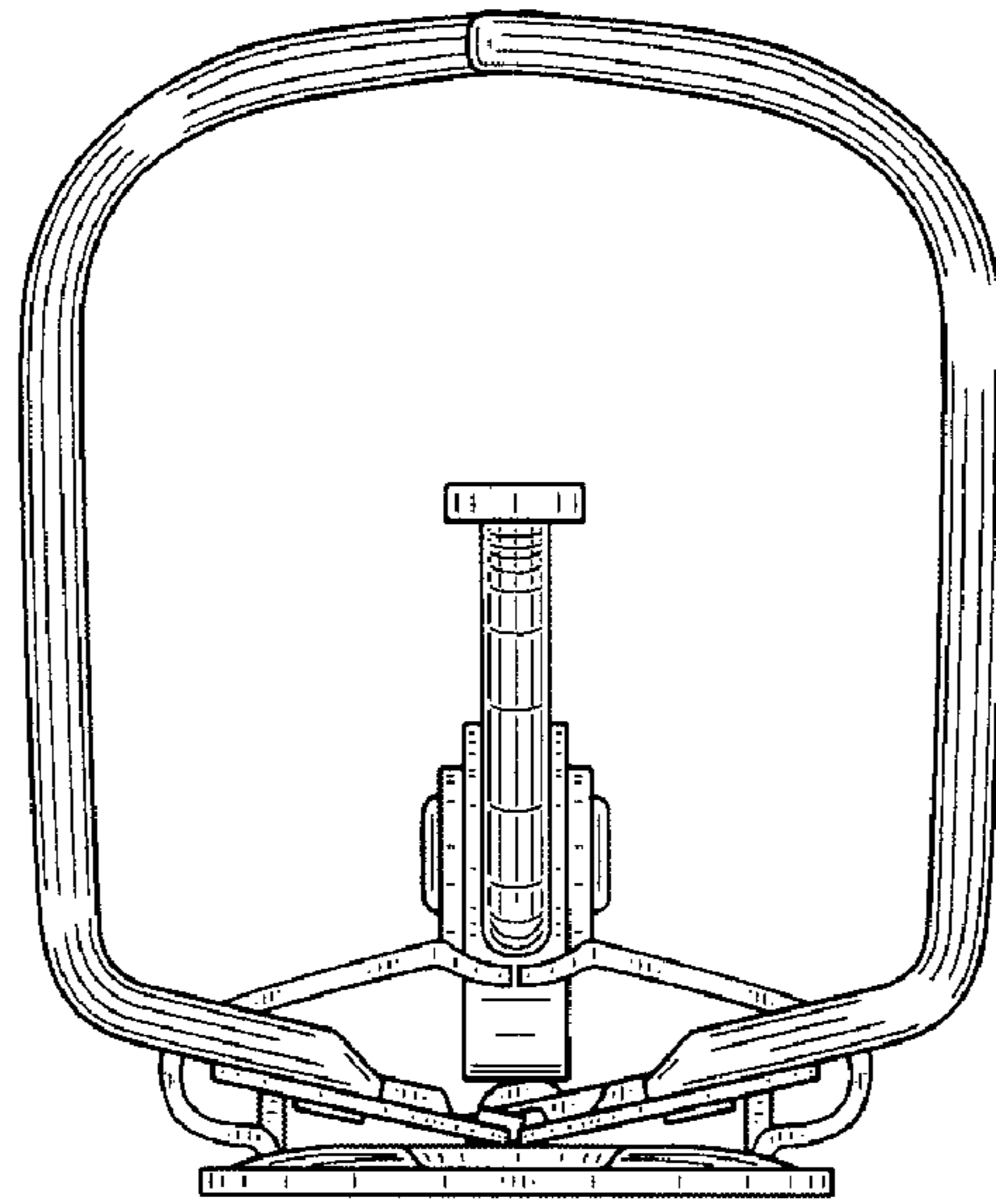


Fig.3

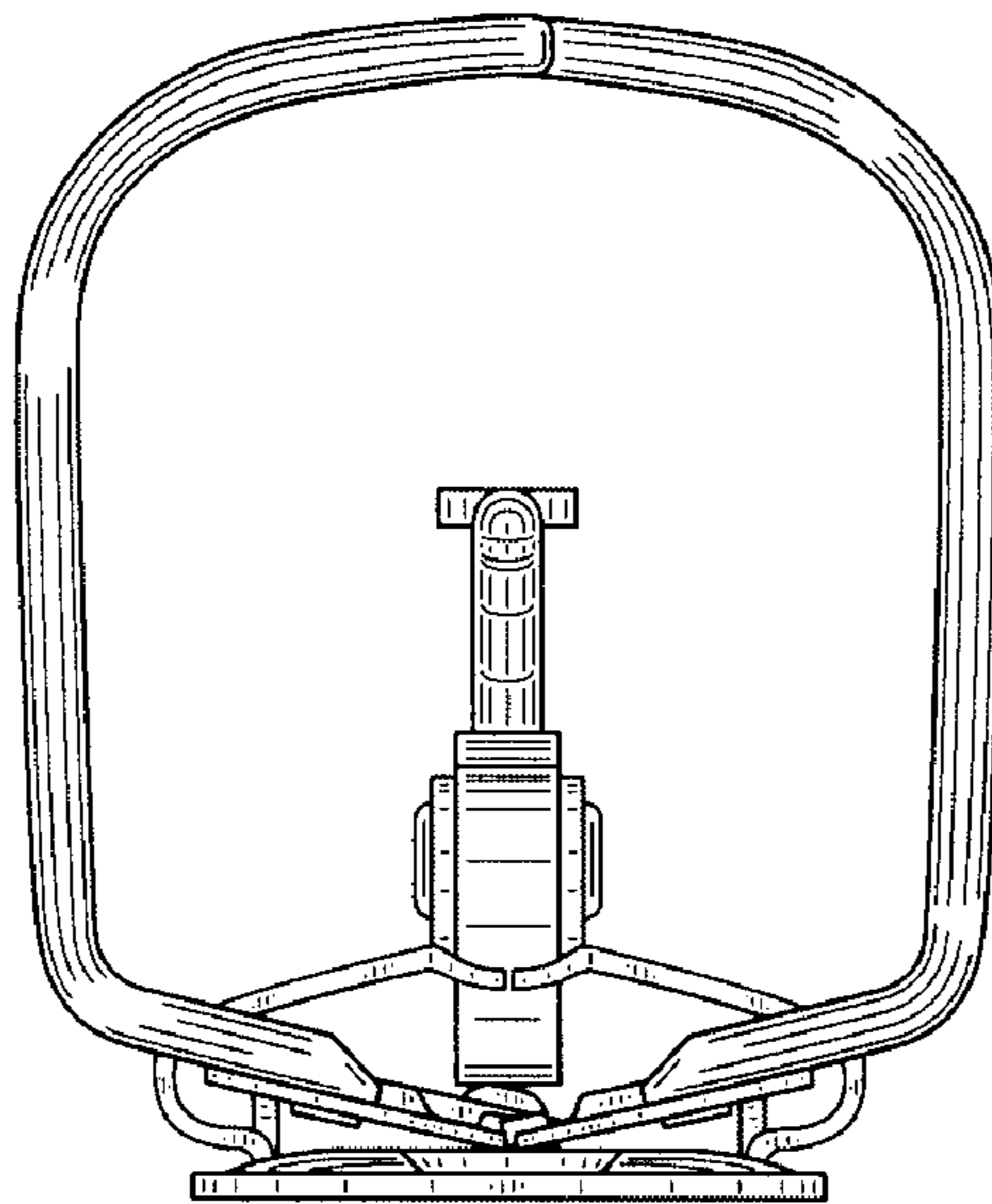


Fig.4

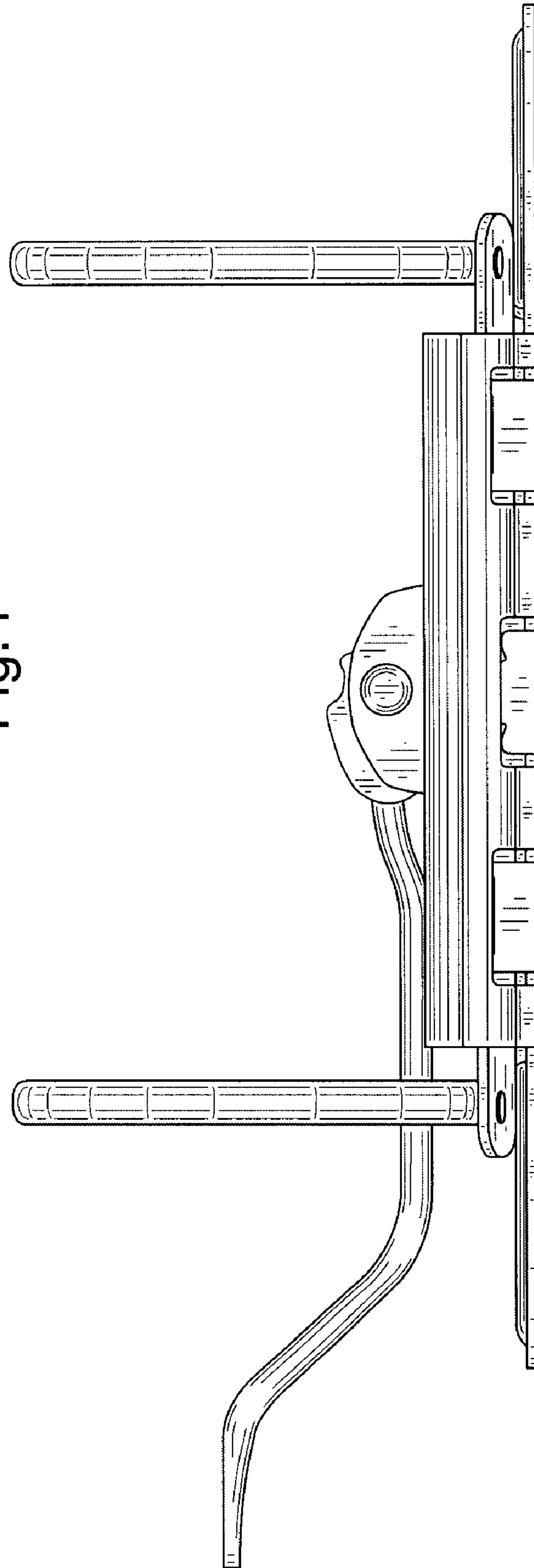


Fig.5

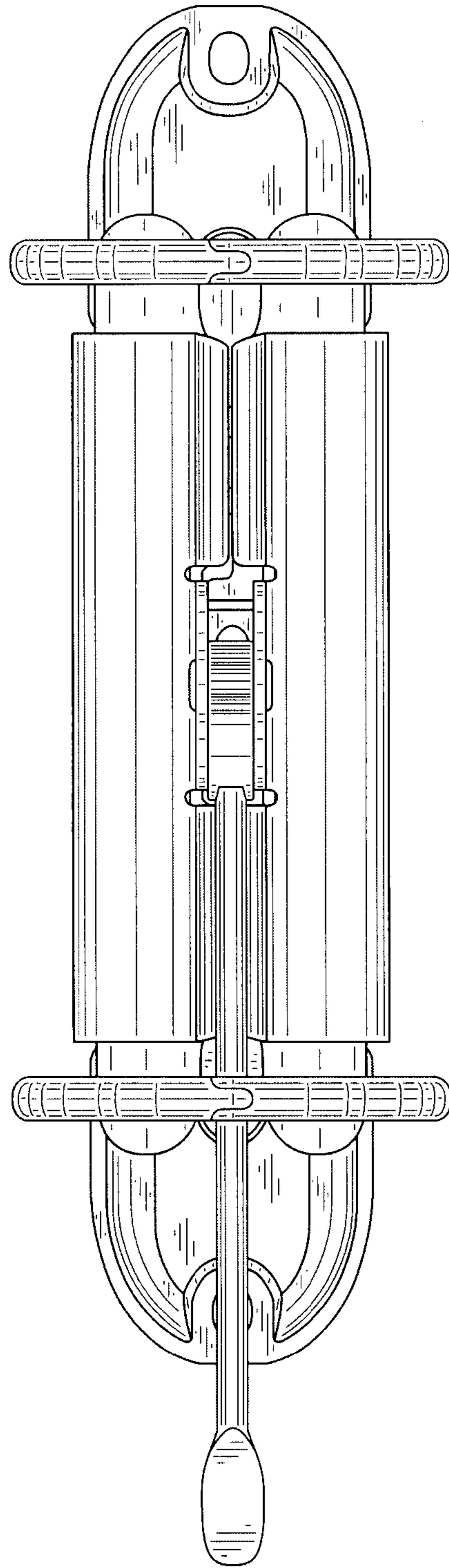
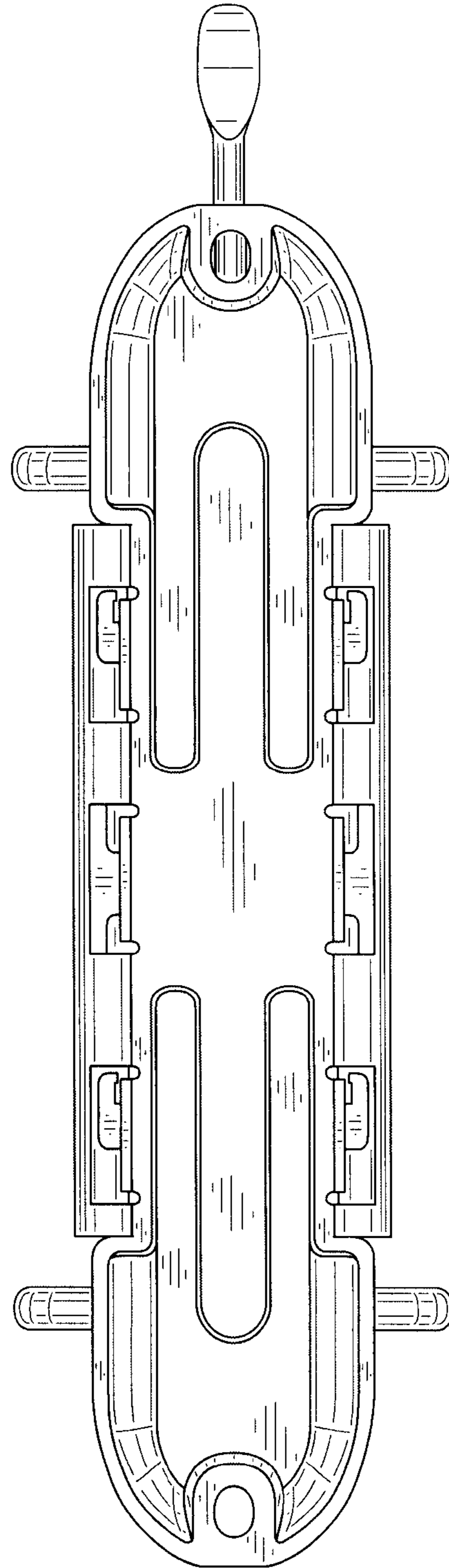


Fig.6



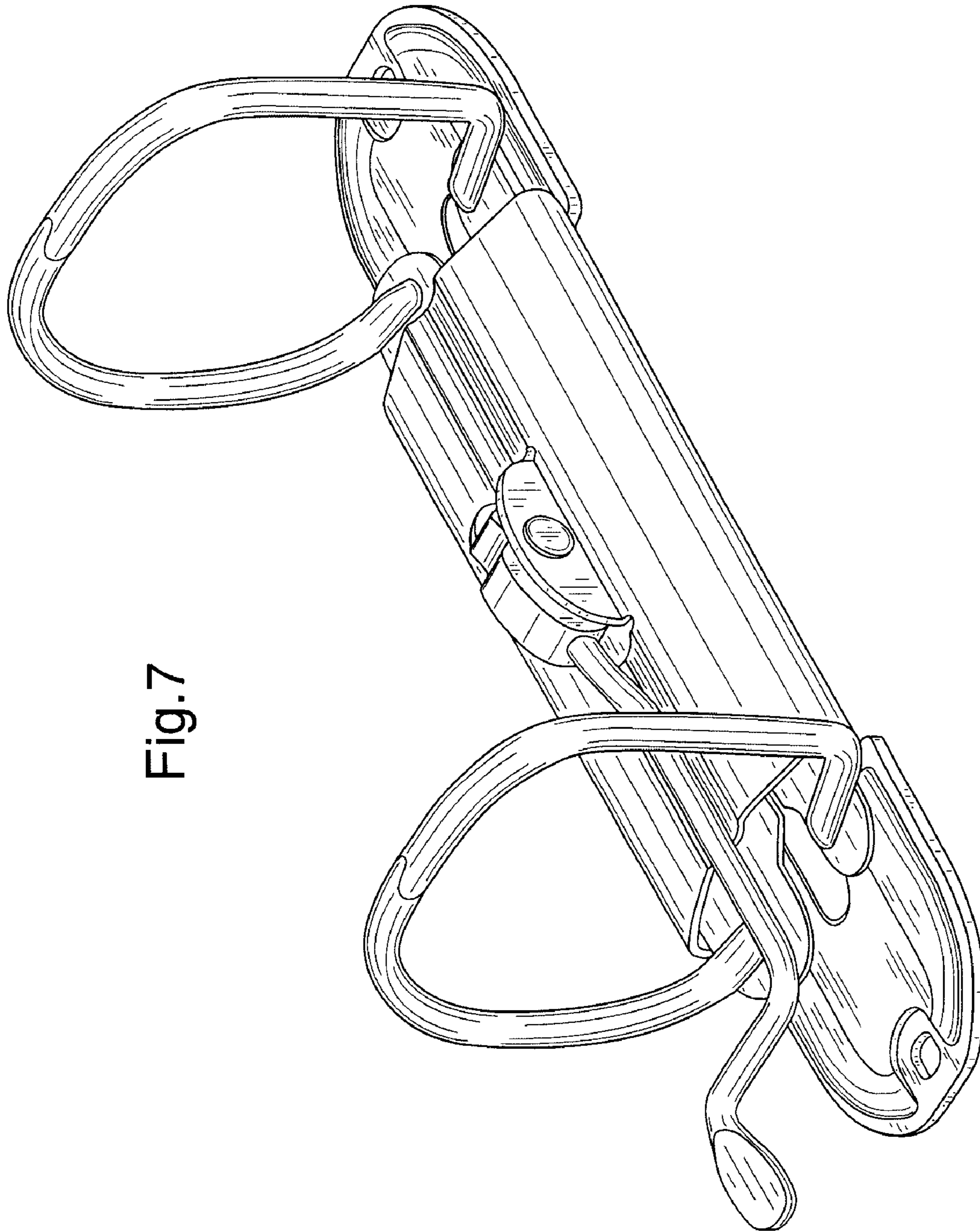


Fig.7

Fig.8

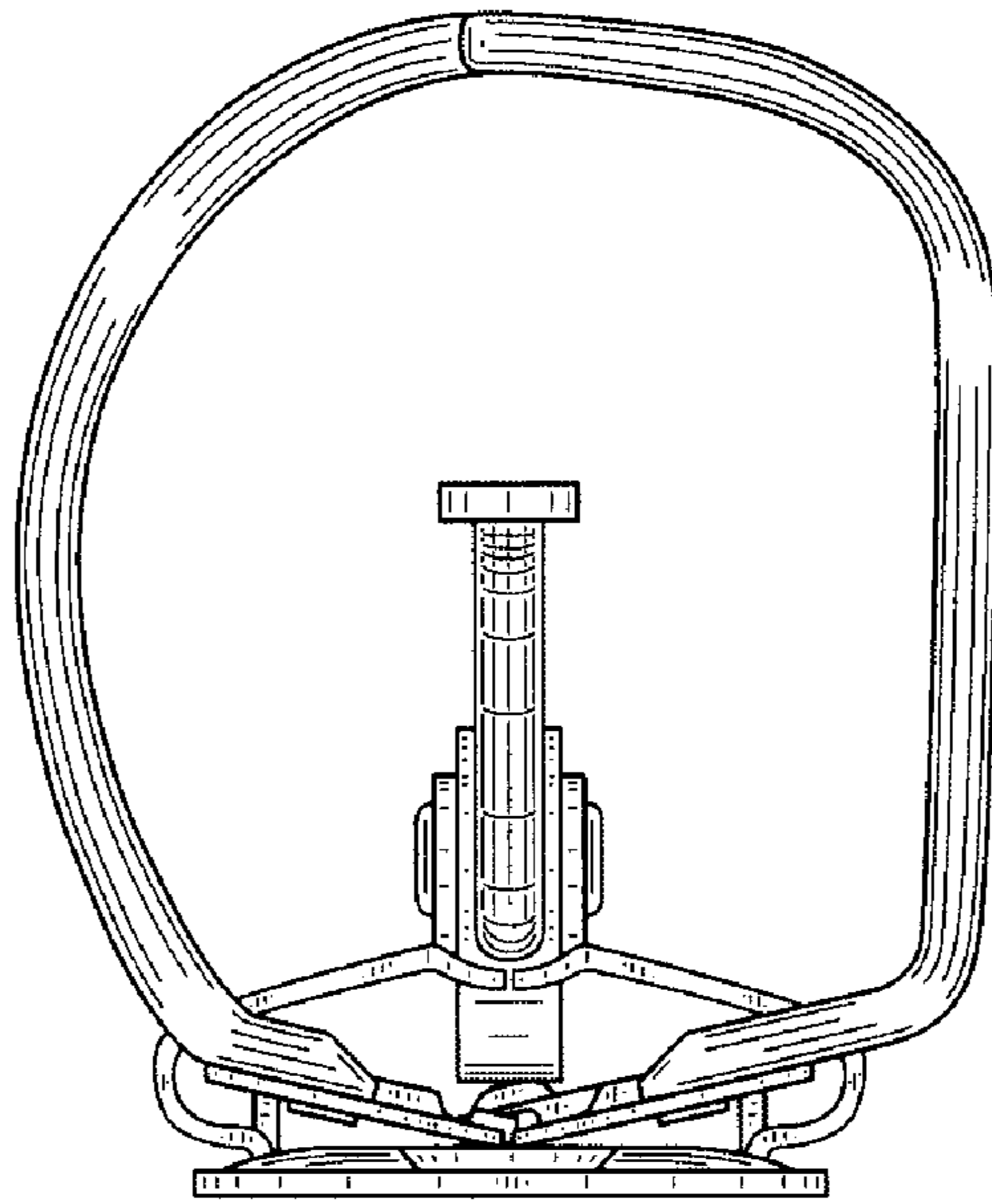
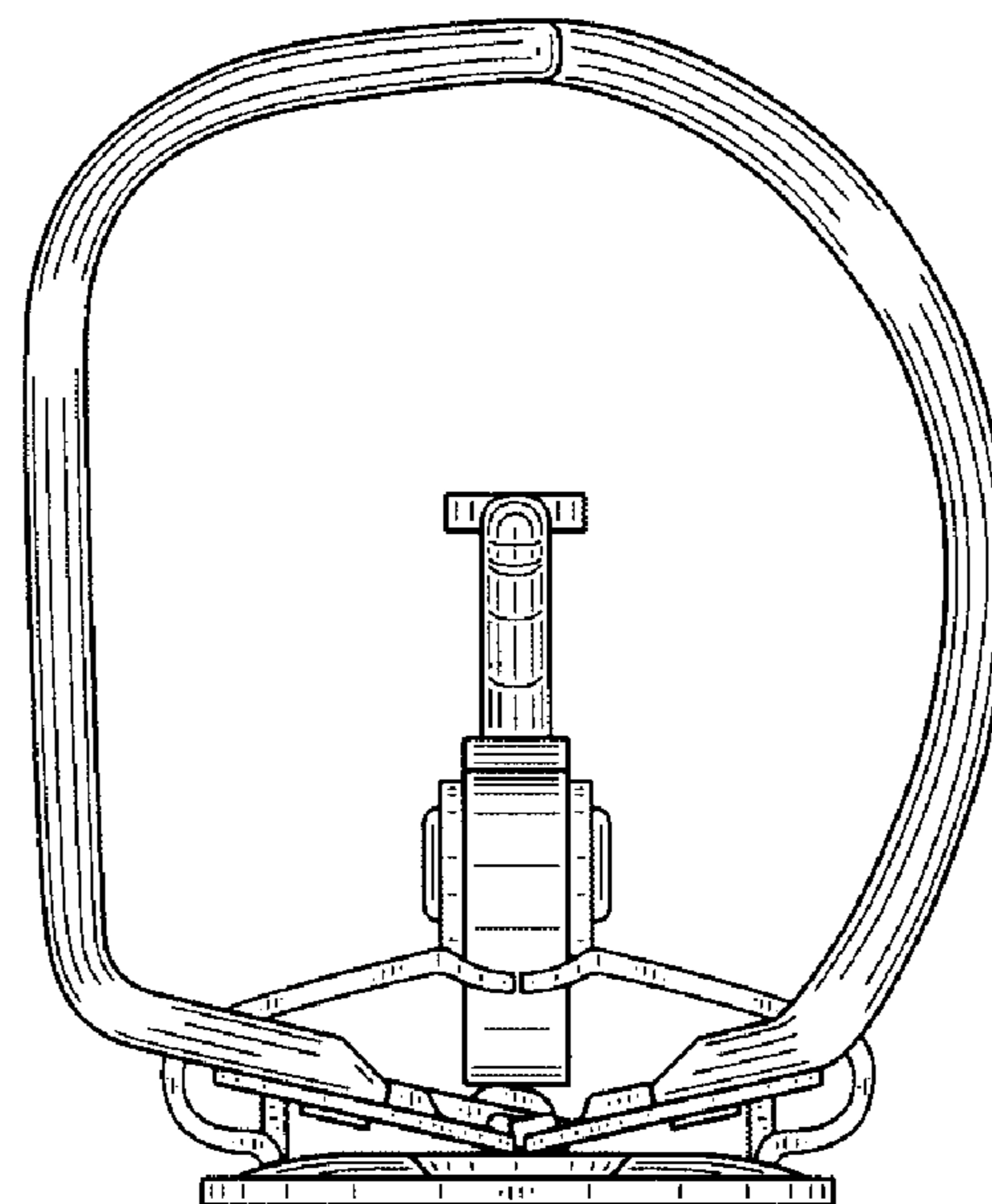


Fig.9



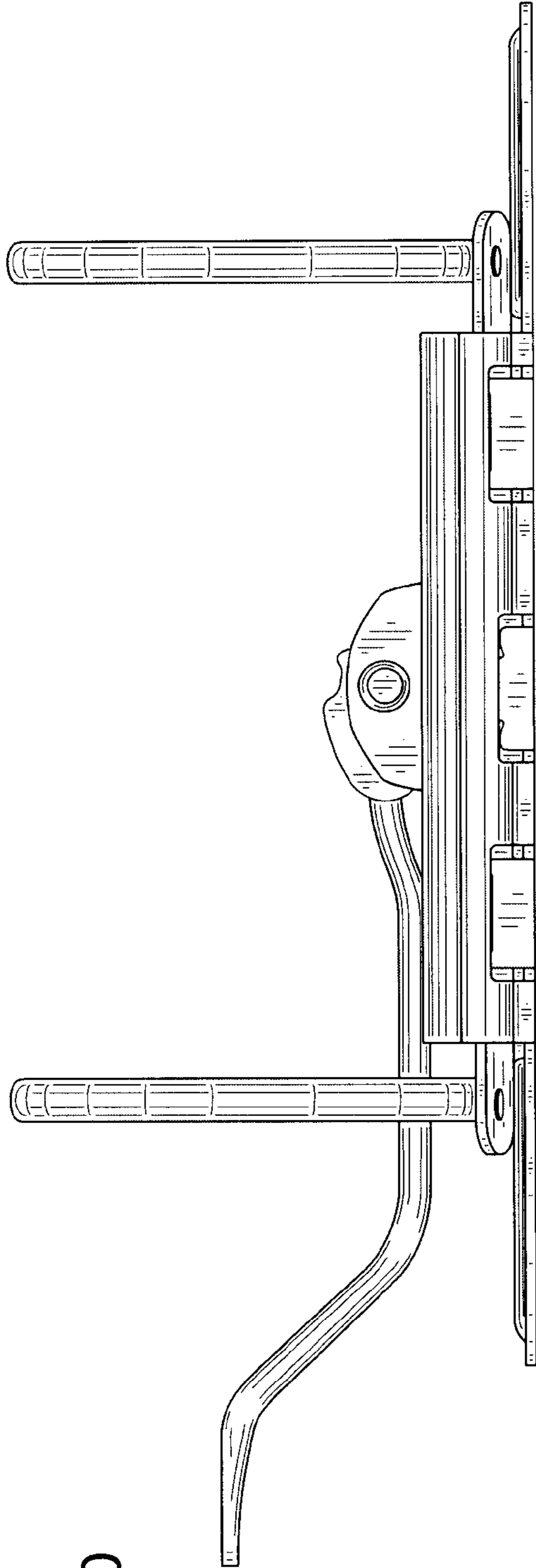


Fig.10

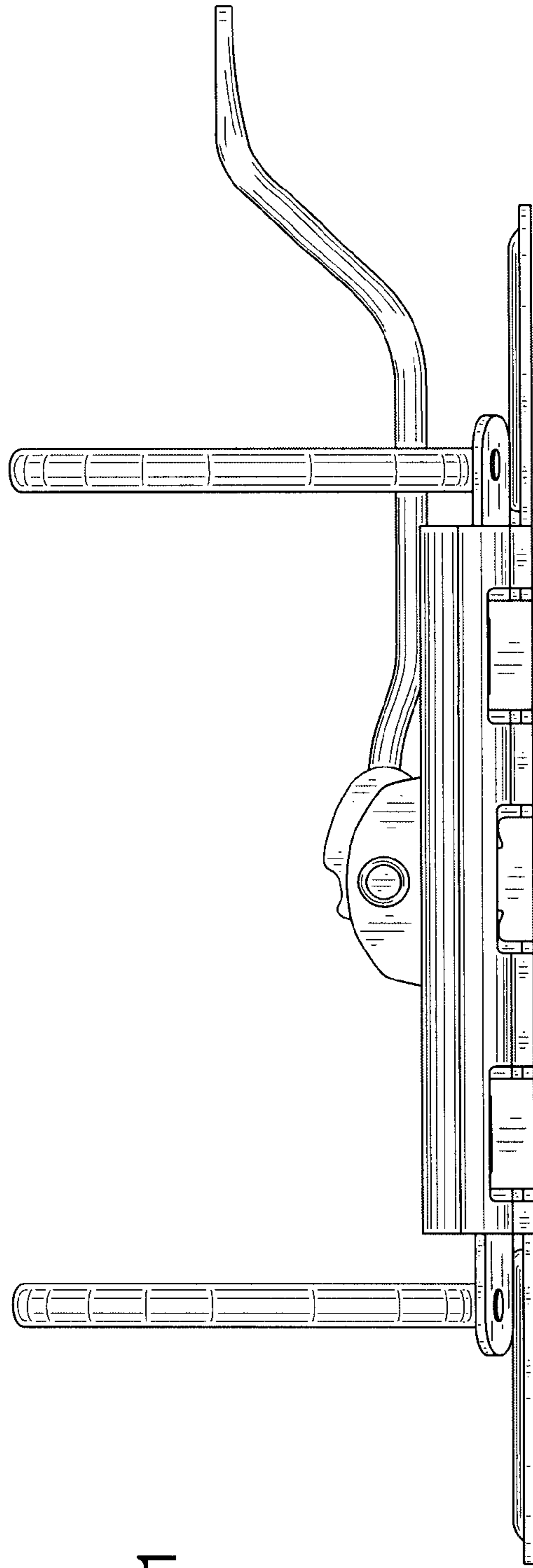


Fig.11

Fig.12

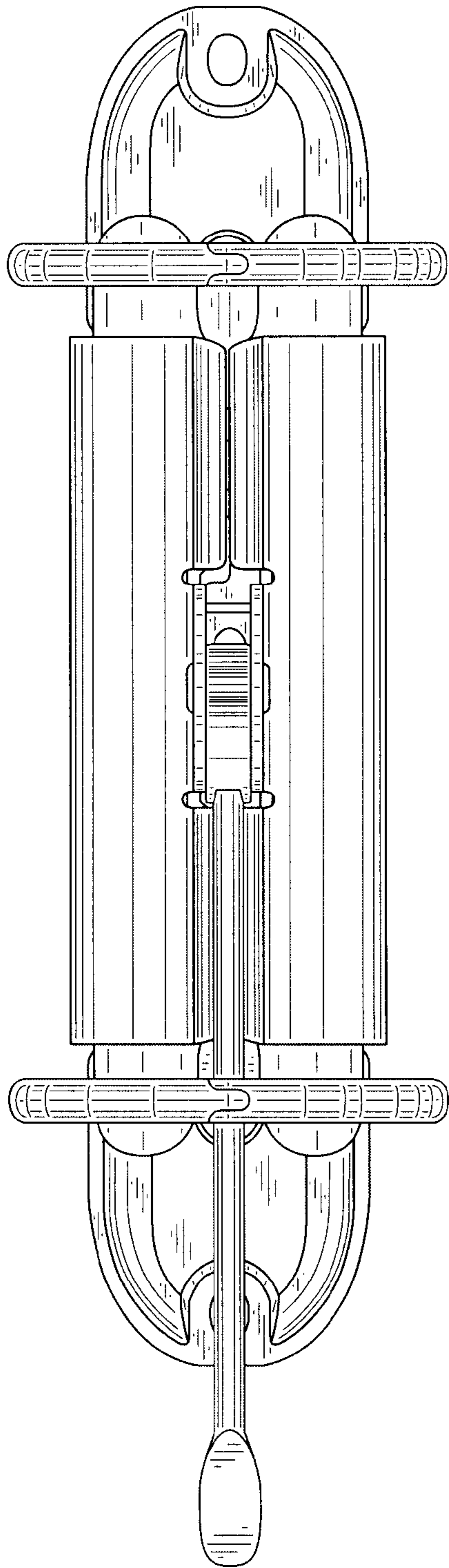


Fig.13

