



US00D526354S

(12) **United States Design Patent**
Jones et al.

(10) **Patent No.:** **US D526,354 S**
(45) **Date of Patent:** **** Aug. 8, 2006**

(54) **INK STICK FOR PHASE CHANGE INK JET PRINTER**

2003/0202074 A1 * 10/2003 Jones 347/99
2003/0222951 A1 * 12/2003 Jones 347/88

(75) Inventors: **Brent R. Jones**, Tualatin, OR (US);
Kelvin Kwong, Tualatin, OR (US);
Scott J. Korn, Portland, OR (US)

OTHER PUBLICATIONS

List of Tektronix/Xerox Corporation Solid Ink Products sold at least one year prior to Apr. 29, 2002.*

(73) Assignee: **Xerox Corporation**, Stamford, CT (US)

* cited by examiner

(**) Term: **14 Years**

Primary Examiner—Cathy Anne MacCormac
(74) *Attorney, Agent, or Firm*—David J. Arthur

(21) Appl. No.: **29/216,651**

(57) **CLAIM**

(22) Filed: **Nov. 5, 2004**

The ornamental design for an ink stick for phase change ink jet printer, as shown and described.

(51) **LOC (8) Cl.** **18-02**

DESCRIPTION

(52) **U.S. Cl.** **D18/56; 347/88**

(58) **Field of Classification Search** D18/56;
D21/499, 500; 106/31.29, 31.61; 273/156,
273/160; 347/88, 99; 434/92, 96; 466/122,
466/124, 125

FIG. 1 is a perspective view for an ink stick for phase change ink jet printer illustrating the new design; FIG. 2 is a front elevational view thereof; FIG. 3 is a right side elevational view thereof; FIG. 4 is a rear elevational view thereof; FIG. 5 is a left side elevational view thereof; FIG. 6 is a top plan view thereof; and, FIG. 7 is a bottom plan view thereof.

See application file for complete search history.

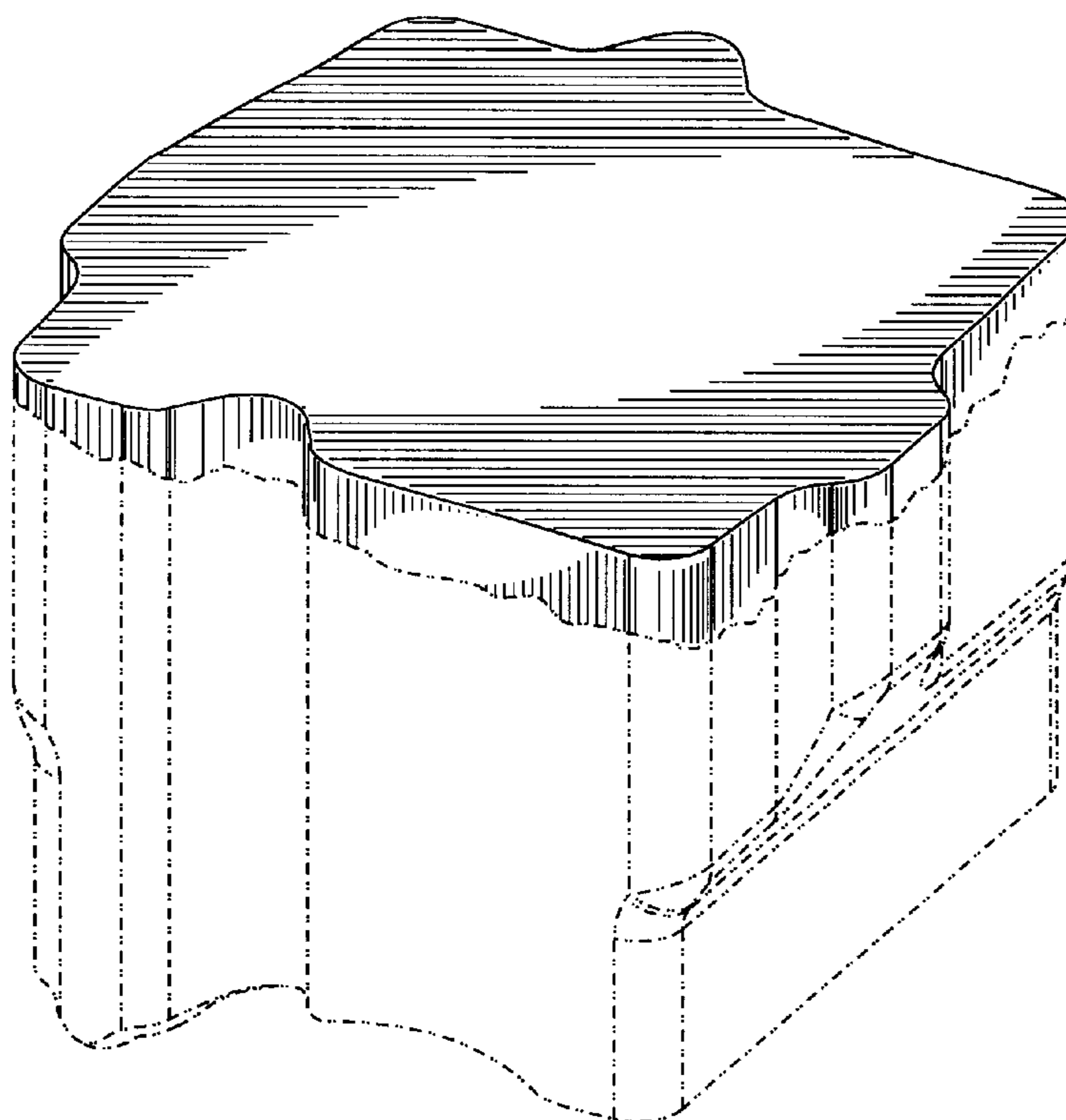
The broken lines are for illustrative purposes only and form no part of the claimed design.

(56) **References Cited**

U.S. PATENT DOCUMENTS

2,877,506 A * 3/1959 Almoslino 446/122
6,893,121 B1 * 5/2005 Jones 347/88
D505,778 S * 6/2005 McClaskie D2/959
D505,973 S * 6/2005 Jones et al. D18/56

1 Claim, 4 Drawing Sheets



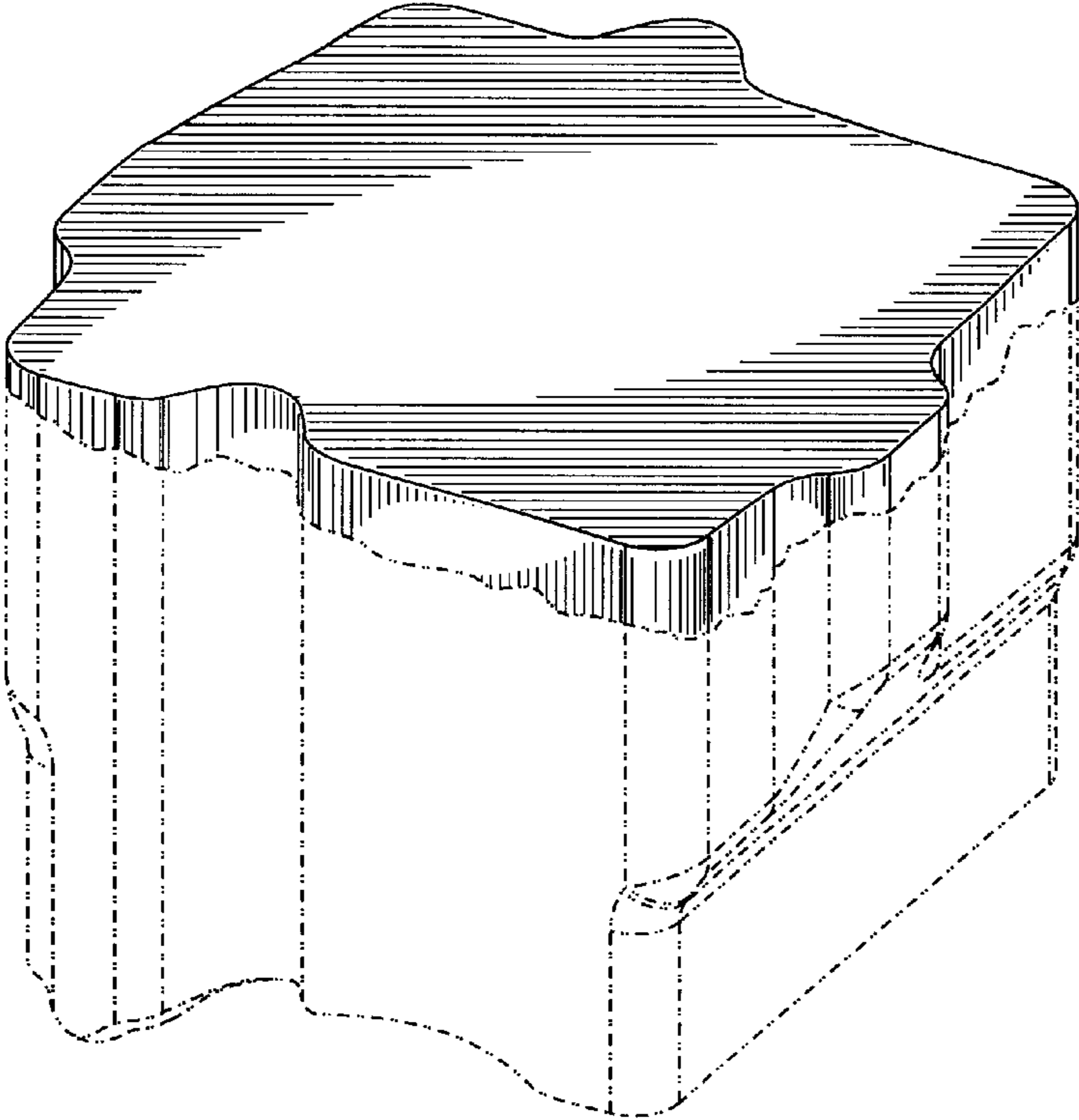


FIG. 1

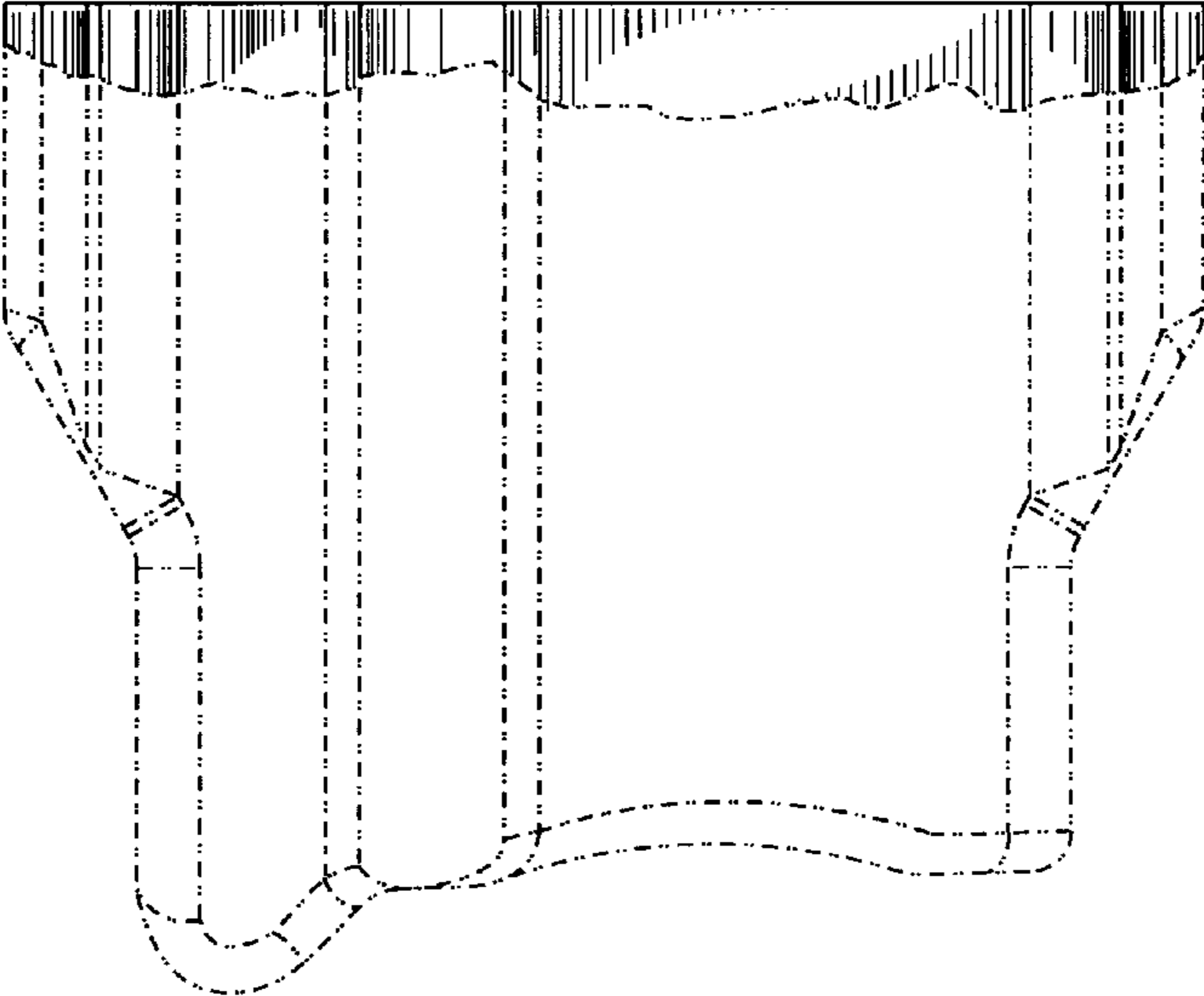


FIG. 2

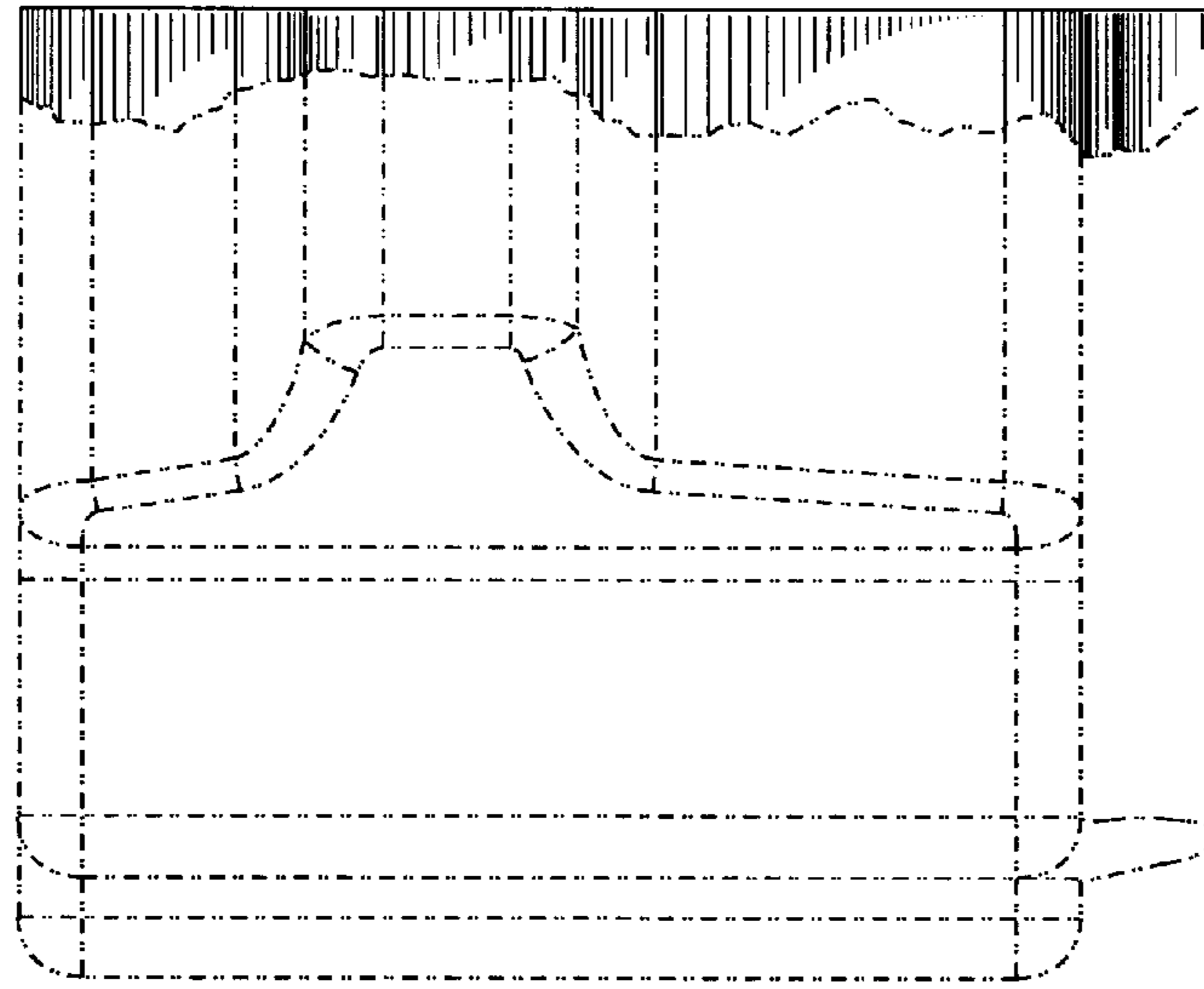


FIG. 3

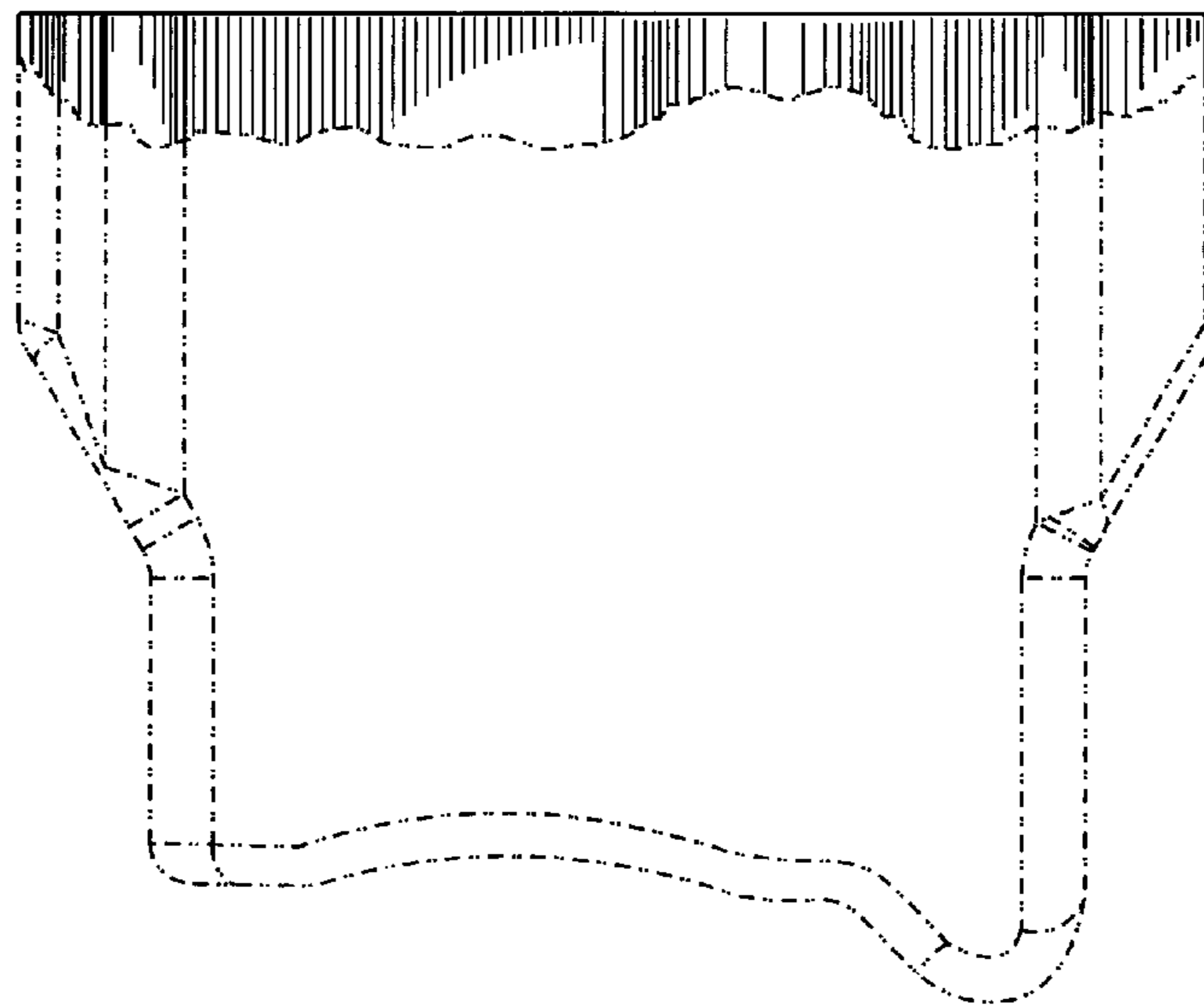


FIG. 4

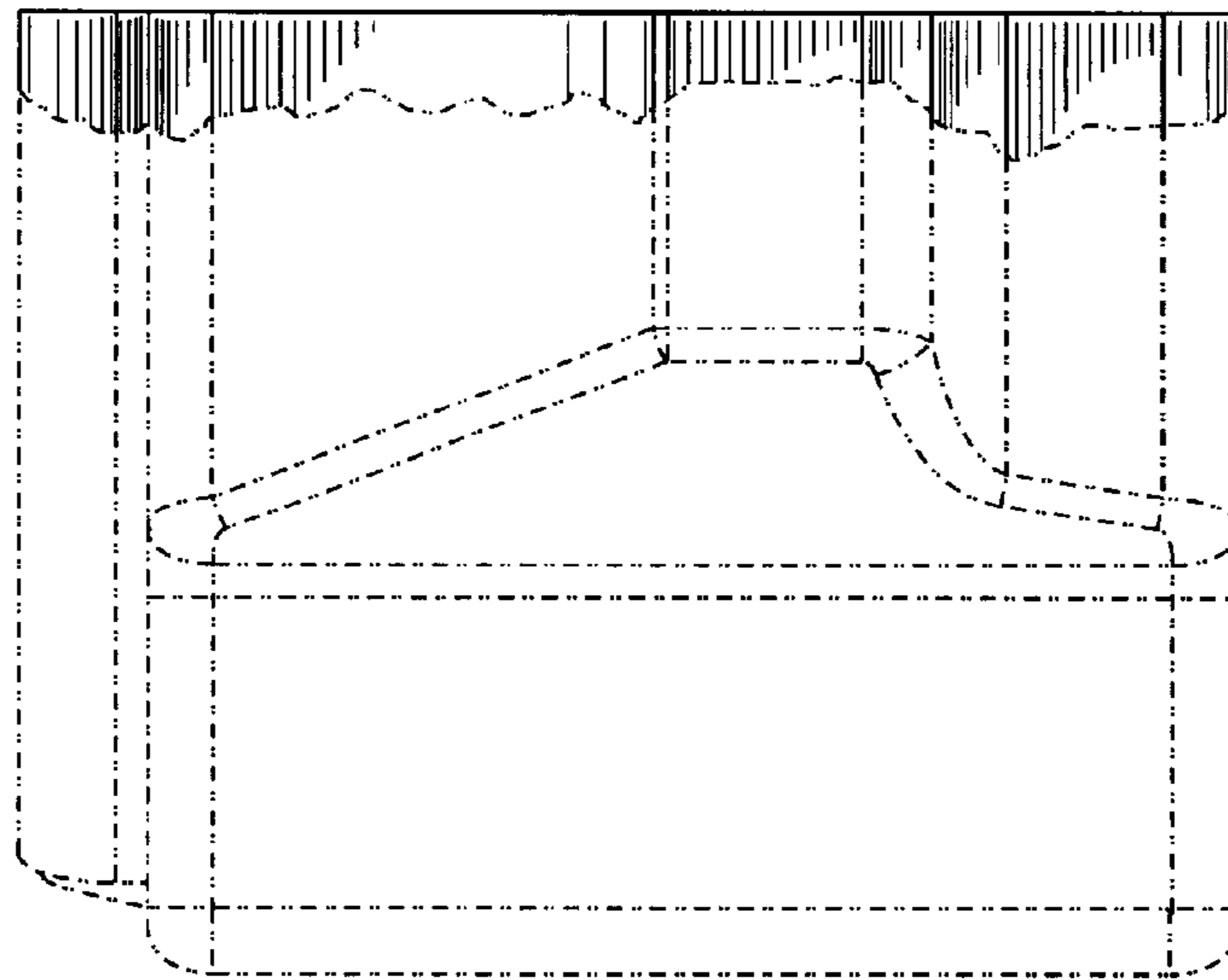


FIG. 5

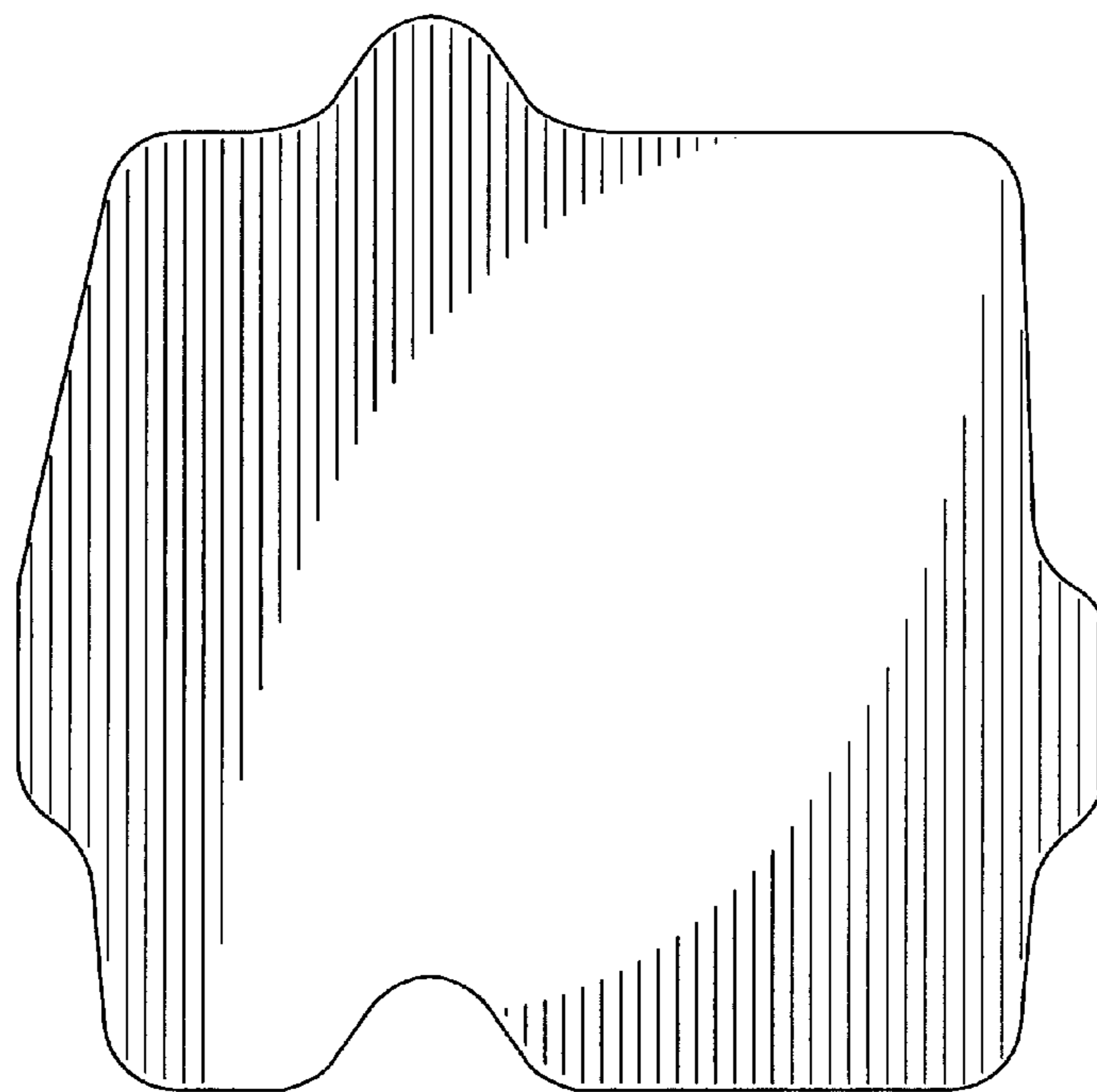


FIG. 6

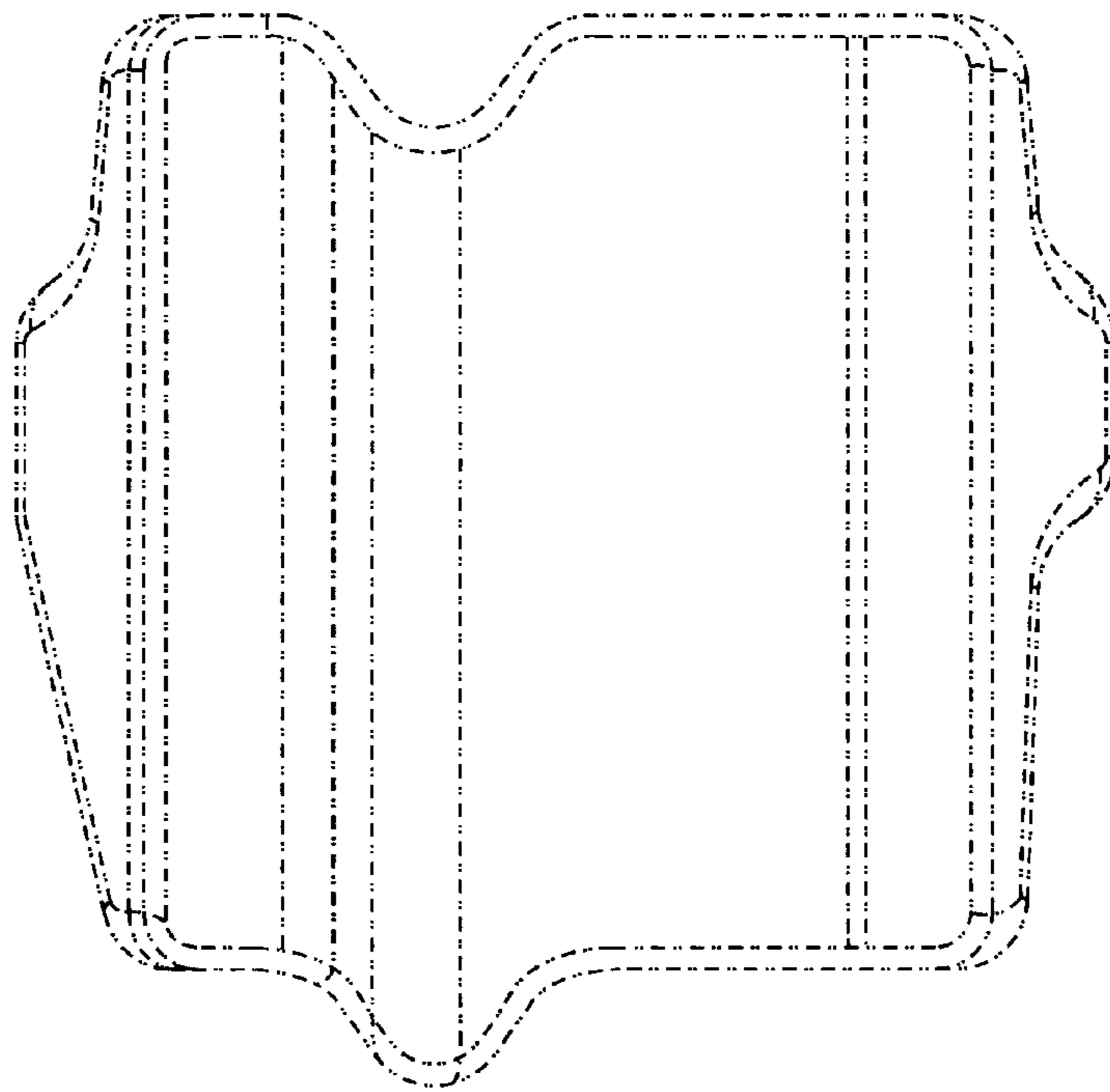


FIG. 7