



US00D526352S

(12) **United States Design Patent**
Suzuki et al.

(10) **Patent No.:** **US D526,352 S**
(45) **Date of Patent:** **** Aug. 8, 2006**

(54) **PRINTER**

(75) Inventors: **Wataru Suzuki**, Nagano-ken (JP); **Emi Akahane**, Nagano-ken (JP); **Masahiko Kobayashi**, Nagano-ken (JP); **Yoshihiro Tatara**, Nagano-ken (JP); **Kazutoshi Kashiwabara**, Nagano (JP); **Hidenori Harada**, Nagano (JP); **Nobukazu Furutera**, Nagano (JP)

(73) Assignee: **Seiko Epson Corporation**, Tokyo (JP)

(**) Term: **14 Years**

(21) Appl. No.: **29/239,444**

(22) Filed: **Sep. 30, 2005**

Related U.S. Application Data

(62) Division of application No. 29/210,505, filed on Aug. 3, 2004.

(30) **Foreign Application Priority Data**

Feb. 4, 2004 (JP) 2004-002775
Feb. 4, 2004 (JP) 2004-002776

(51) **LOC (8) Cl.** **14-02**

(52) **U.S. Cl.** **D18/55**

(58) **Field of Classification Search** D18/14,
D18/19, 36-39, 50, 54, 54.1, 55; D14/420-425,
D14/462-470; D16/237, 247-248; 400/613,
400/613.1-613.4, 690.1-690.4, 691-694;
399/109

See application file for complete search history.

(56) **References Cited**

U.S. PATENT DOCUMENTS

D376,615 S 12/1996 Dubson

6,030,134 A 2/2000 Stewart
D425,547 S 5/2000 Ishiura
D446,544 S 8/2001 Platner et al.
D470,164 S * 2/2003 Obata D16/237
6,572,290 B1 6/2003 McCleave et al.
D477,019 S 7/2003 Dwyer et al.
D489,754 S * 5/2004 Akahane et al. D18/55
D498,785 S 11/2004 Wong et al.
D504,696 S * 5/2005 Swayze et al. D18/50
D505,447 S 5/2005 Wong et al.

* cited by examiner

Primary Examiner—Cathy Anne MacCormac

(74) *Attorney, Agent, or Firm*—Sughrue Mion, PLLC

(57) **CLAIM**

The ornamental design for a printer, as shown and described.

DESCRIPTION

FIG. 1 is a perspective view of the top, front and right side of a printer showing our new design;

FIG. 2 is a front elevational view thereof;

FIG. 3 is a rear elevational view thereof;

FIG. 4 is a left side elevational view thereof;

FIG. 5 is a right side elevational view thereof;

FIG. 6 is a top plan view thereof;

FIG. 7 is a bottom plan view thereof;

FIG. 8 is a perspective view similar to FIG. 1 with the transport handle in the upright position; and,

FIG. 9 is a perspective view similar to FIG. 1 with the paper output tray in the extended position.

1 Claim, 8 Drawing Sheets

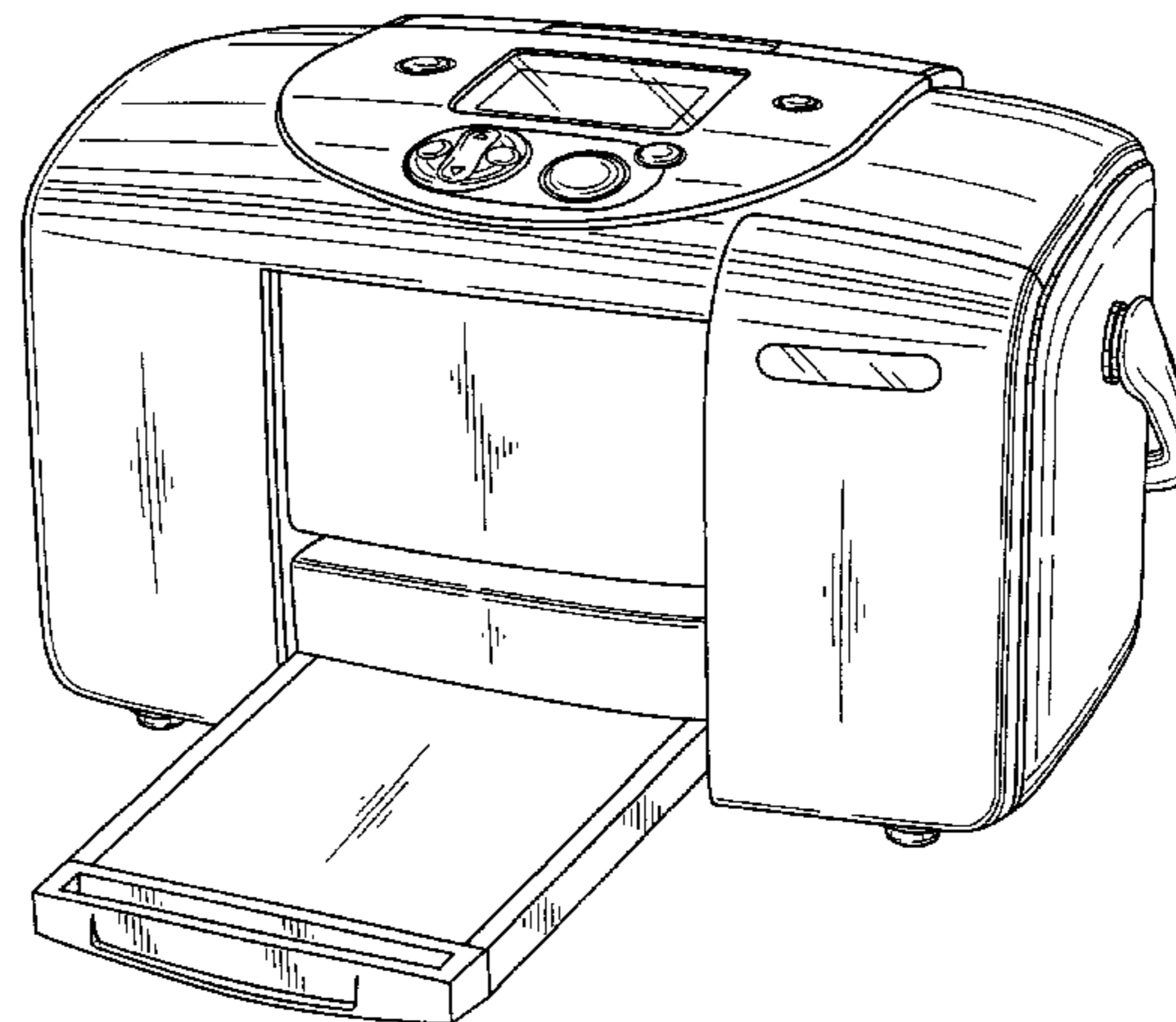
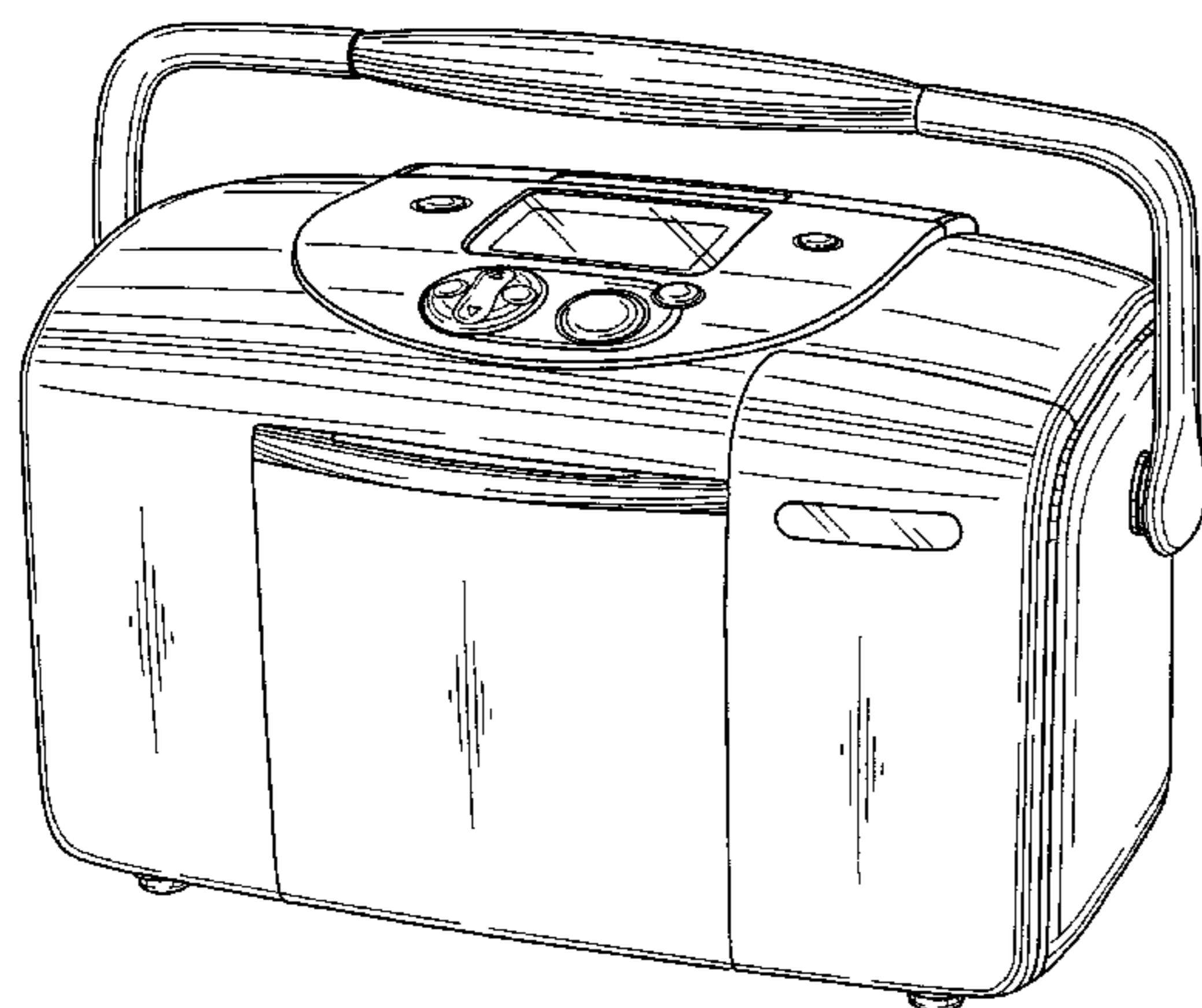


FIG. 1

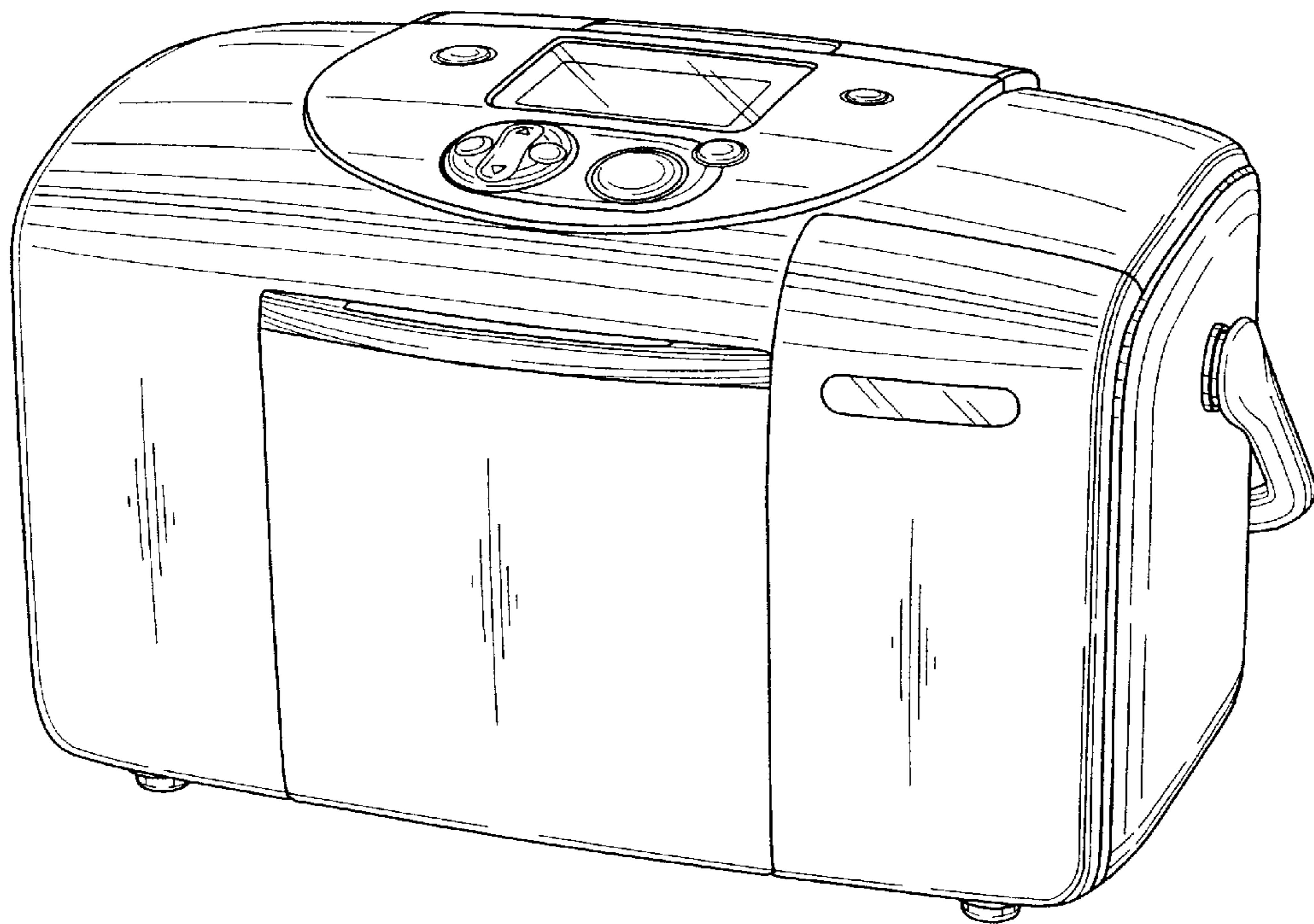


FIG. 2

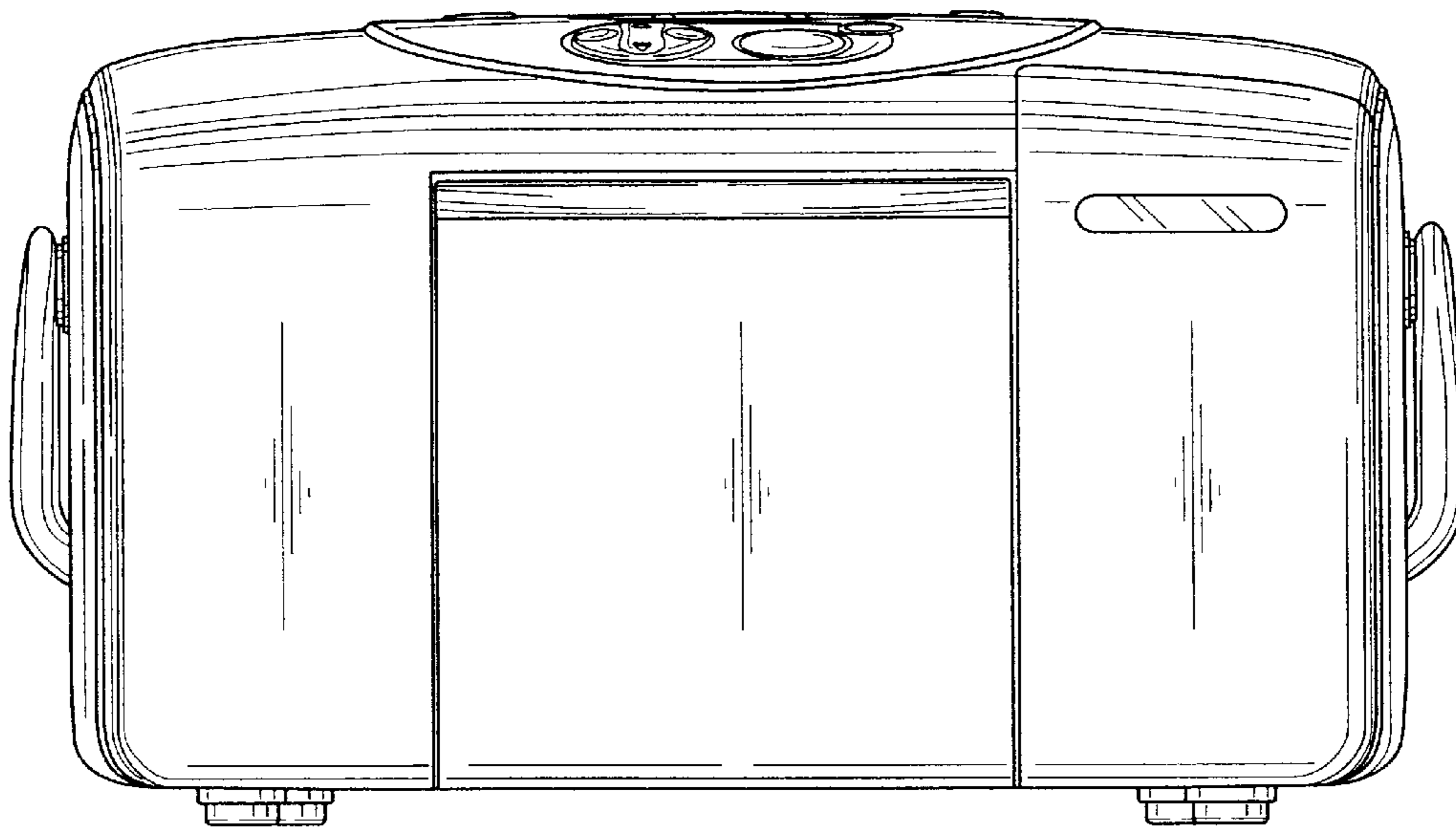


FIG. 3

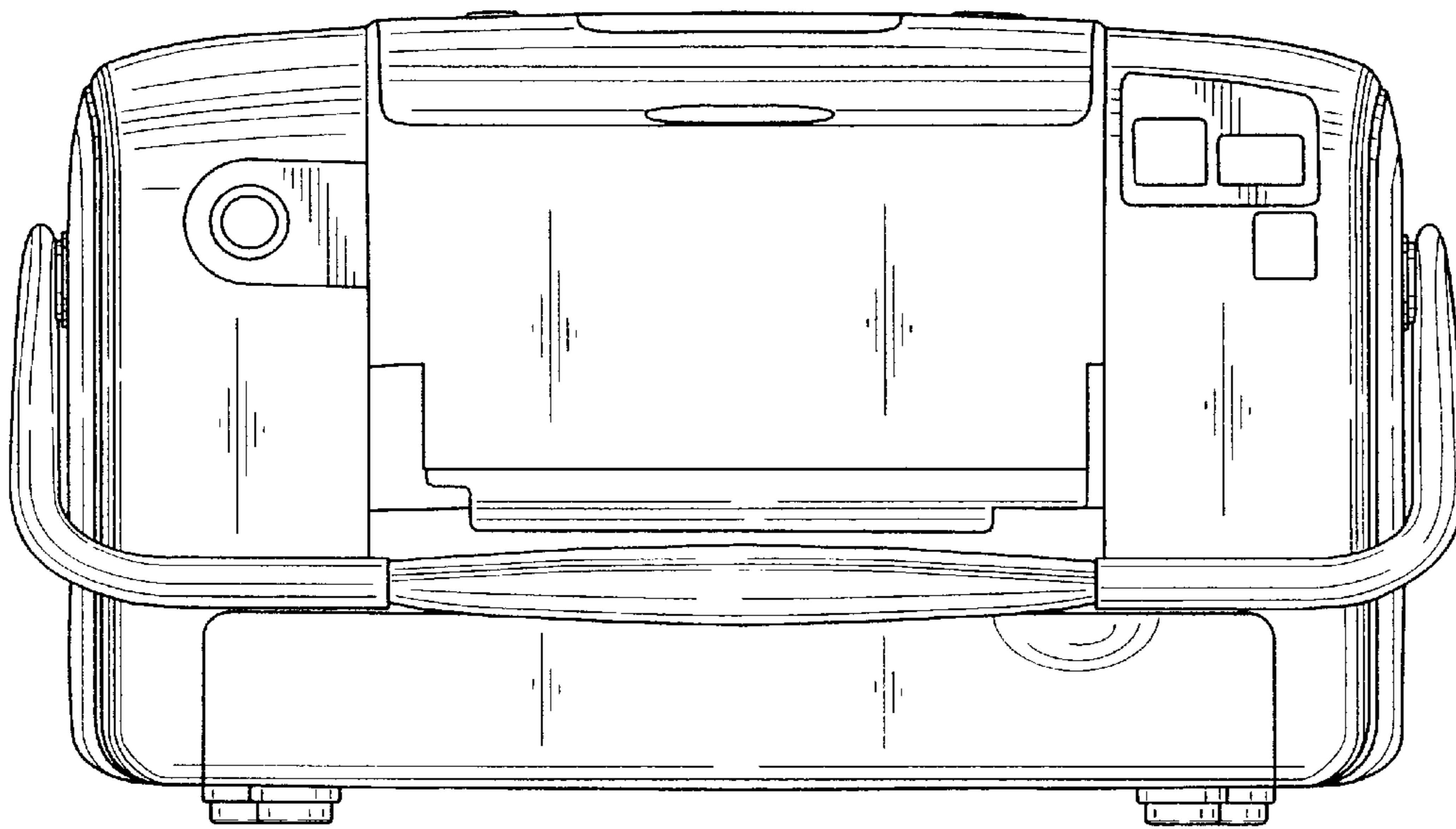


FIG. 4

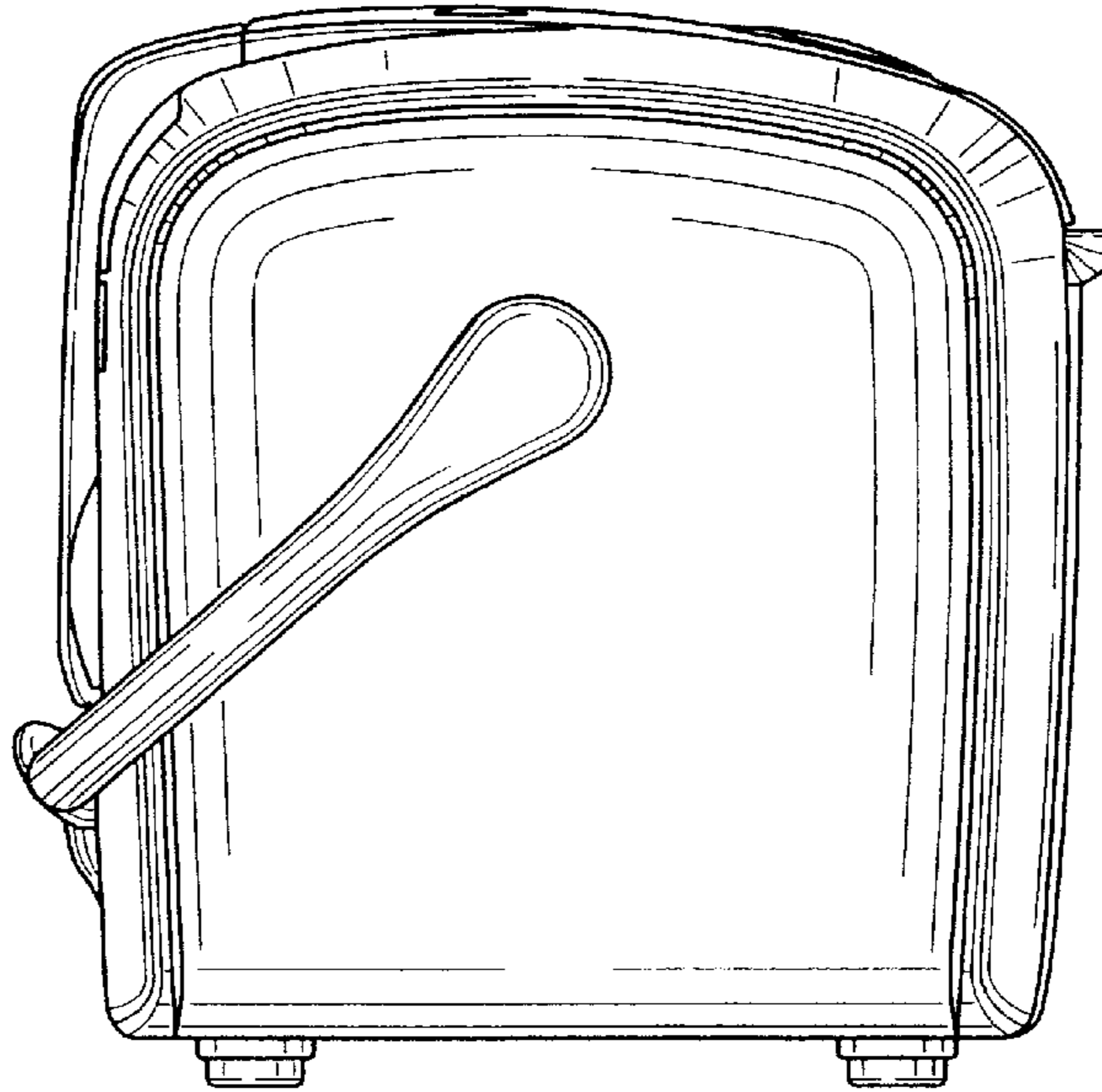


FIG. 5

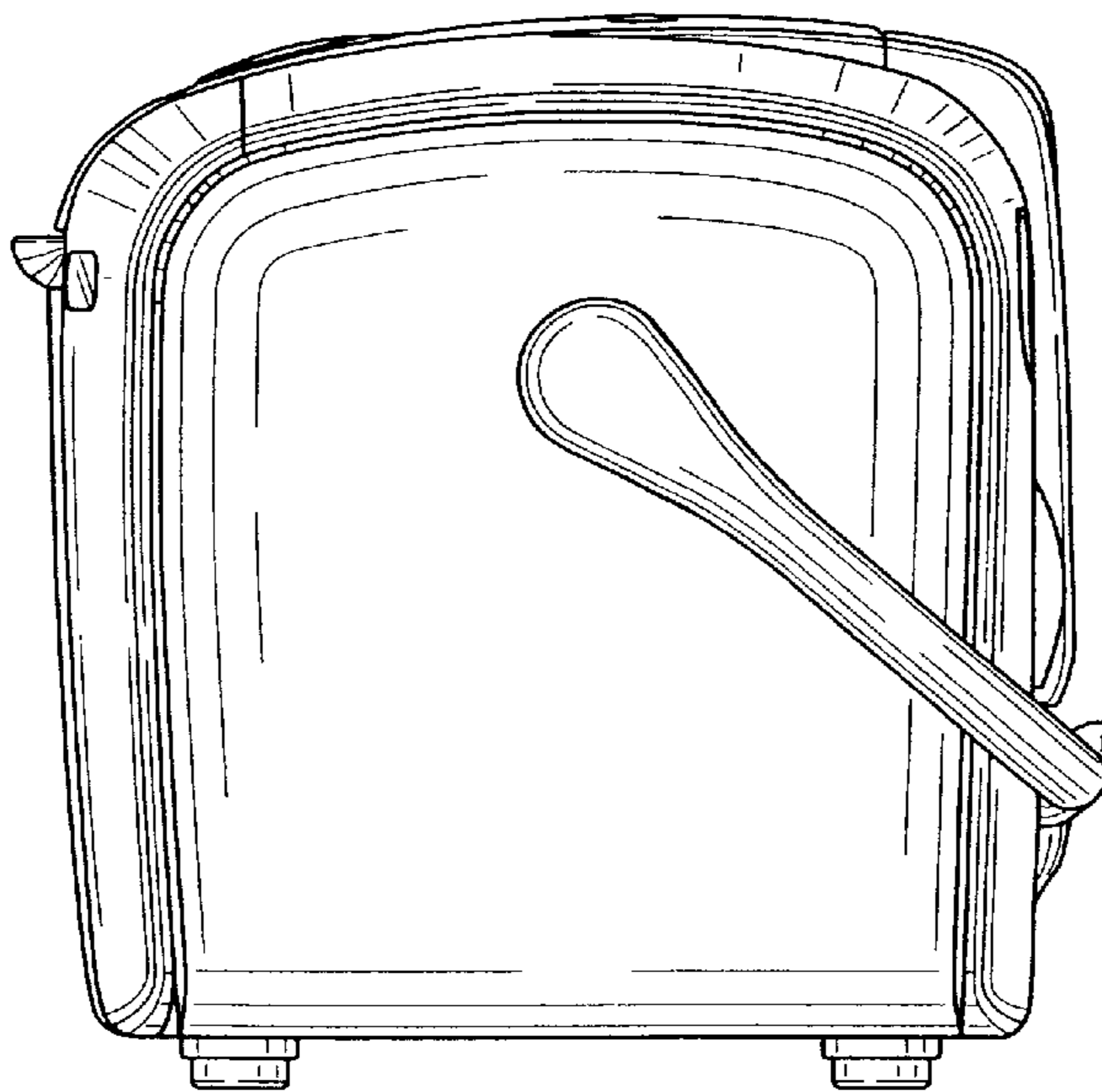


FIG. 6

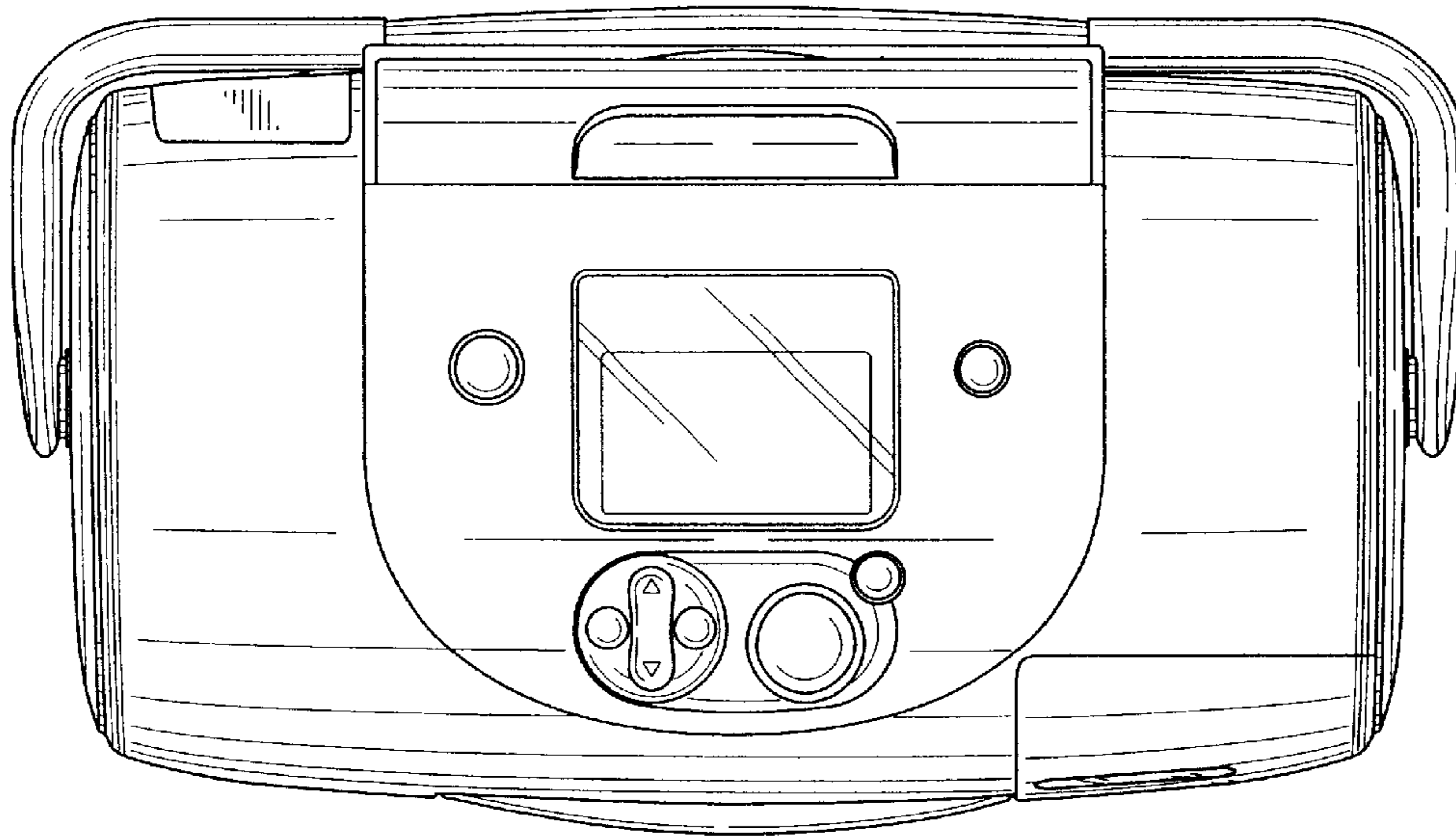


FIG. 7

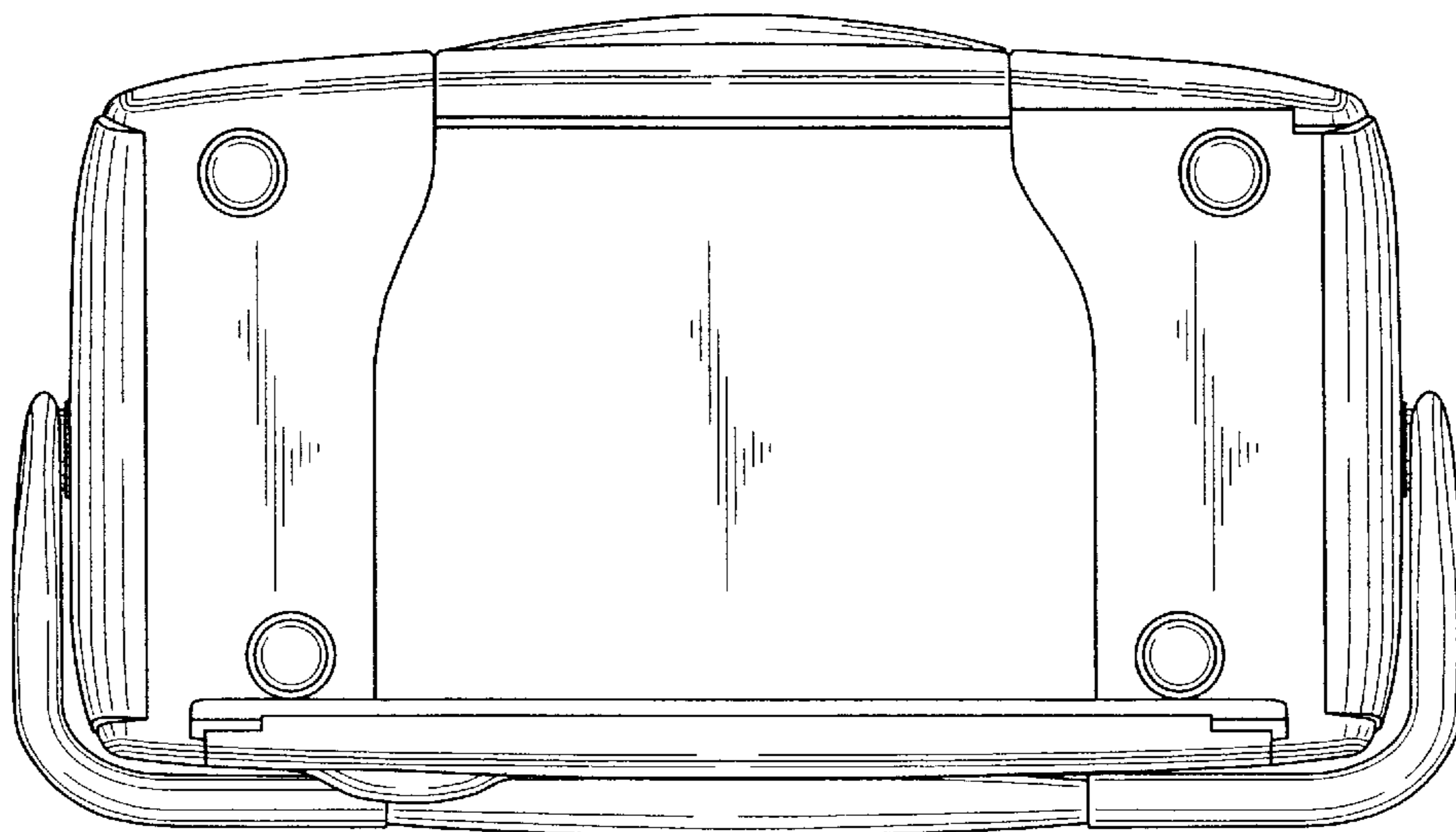


FIG. 8

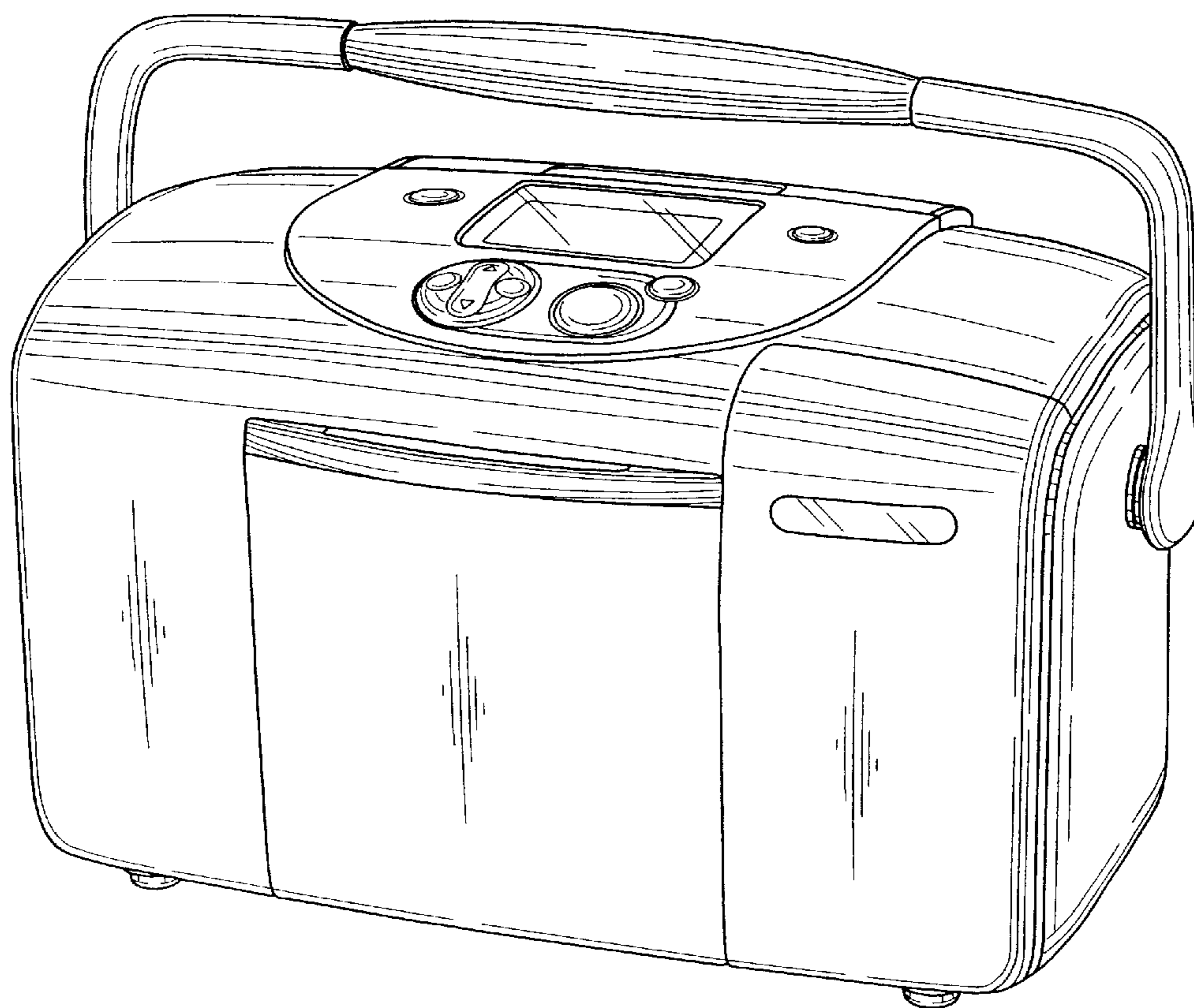


FIG. 9

