



US00D526350S

(12) **United States Design Patent**
Yamano et al.

(10) **Patent No.:** **US D526,350 S**

(45) **Date of Patent:** **** Aug. 8, 2006**

(54) **COMBINED PRINTER AND SCANNER**

(75) Inventors: **Hirokazu Yamano**, Nagano (JP);
Hiroto Miyauchi, Nagano (JP);
Masahiko Kobayashi, Nagano (JP);
Makoto Kobayashi, Nagano (JP); **Ikuo**
Masujima, Nagano (JP); **Takashi**
Karasawa, Nagano (JP)

(73) Assignee: **Seiko Epson Corporation**, Tokyo (JP)

(**) Term: **14 Years**

(21) Appl. No.: **29/207,614**

(22) Filed: **Jun. 17, 2004**

(30) **Foreign Application Priority Data**

Dec. 18, 2003 (JP) 2003-037423
Dec. 18, 2003 (JP) 2003-037424

(51) **LOC (8) Cl.** **14-02**

(52) **U.S. Cl.** **D18/55; D14/422**

(58) **Field of Classification Search** D18/19,
D18/36-39, 50, 54, 54.1, 55; D14/420-425,
D14/462-470; 40/613, 613.1, 613.2, 613.3,
40/613.4, 690.1, 690.2, 690.3, 690.4, 691-694
See application file for complete search history.

(56) **References Cited**

U.S. PATENT DOCUMENTS

D420,998 S 2/2000 Leong et al.
D434,066 S 11/2000 Short et al.
D441,784 S 5/2001 Leong et al.
D448,403 S 9/2001 Omuro et al.
D448,796 S * 10/2001 Clark et al. D18/55

D449,851 S * 10/2001 Katou et al. D18/36
D453,159 S * 1/2002 Nakamura D14/422
D462,971 S 9/2002 Leong et al.
D466,149 S * 11/2002 Takeuchi D18/36
D471,202 S * 3/2003 Shimamura D14/469
D476,029 S * 6/2003 Lee et al. D18/55
D489,402 S * 5/2004 Yamano et al. D18/55
D489,754 S * 5/2004 Akahane et al. D18/55
D499,759 S * 12/2004 Kobayashi et al. D18/55
D502,733 S * 3/2005 Miyauchi et al. D18/50
D504,697 S * 5/2005 Hattori D18/55

* cited by examiner

Primary Examiner—Cathy Anne MacCormac

(74) *Attorney, Agent, or Firm*—Sughrue Mion, PLLC

(57) **CLAIM**

The ornamental design for a combined printer and scanner,
as shown and described.

DESCRIPTION

FIG. 1 is an enlarged perspective view of the top, front and
right side of a combined printer and scanner showing our
new design;

FIG. 2 is a front elevational view thereof;

FIG. 3 is a rear elevational view thereof;

FIG. 4 is a left side elevational view thereof;

FIG. 5 is a right side elevational view thereof;

FIG. 6 is a top plan view thereof;

FIG. 7 is a bottom plan view thereof; and,

FIG. 8 is another enlarged perspective view with the screen
in a raised position and paper output tray in the extended
position.

1 Claim, 6 Drawing Sheets

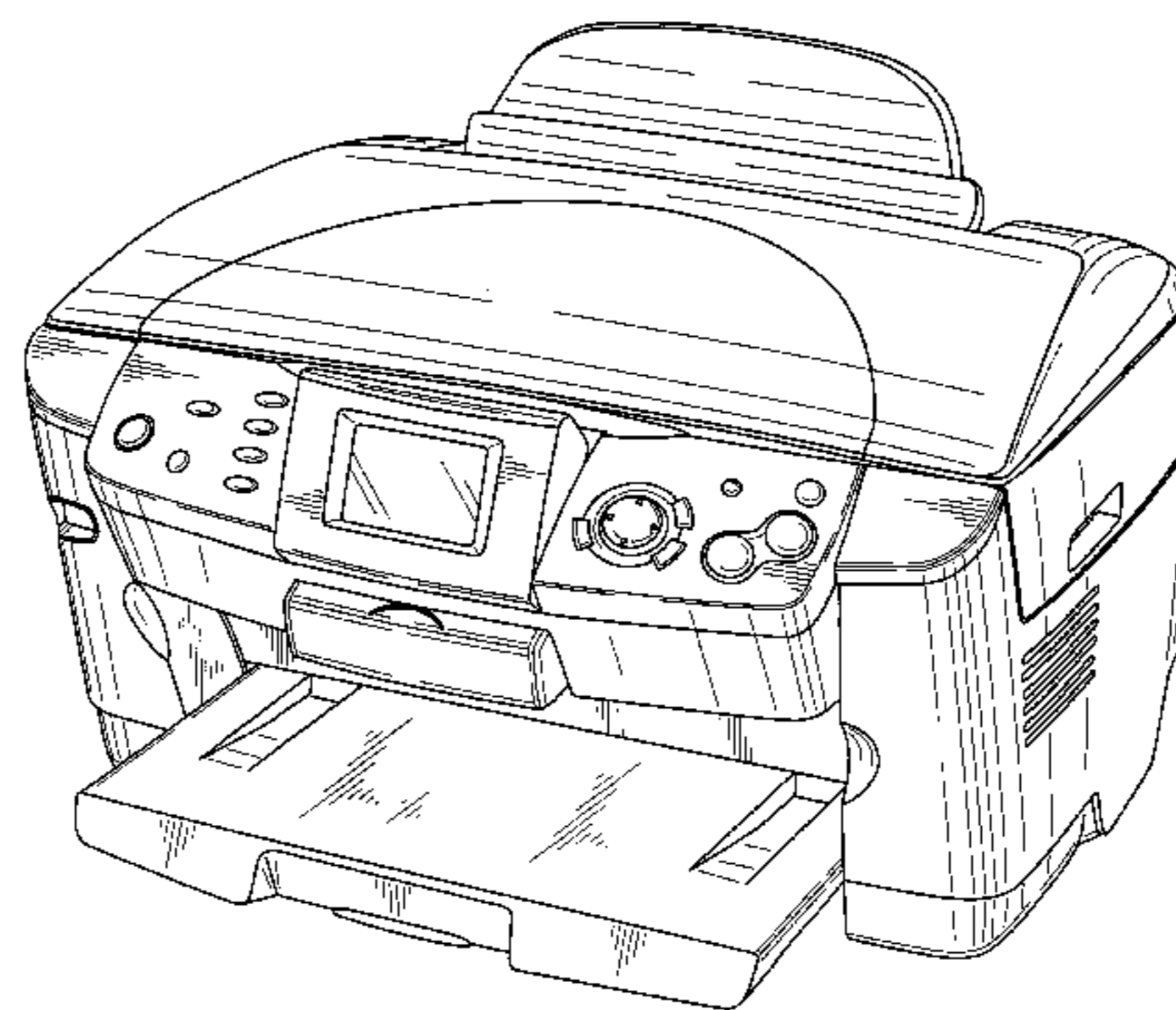
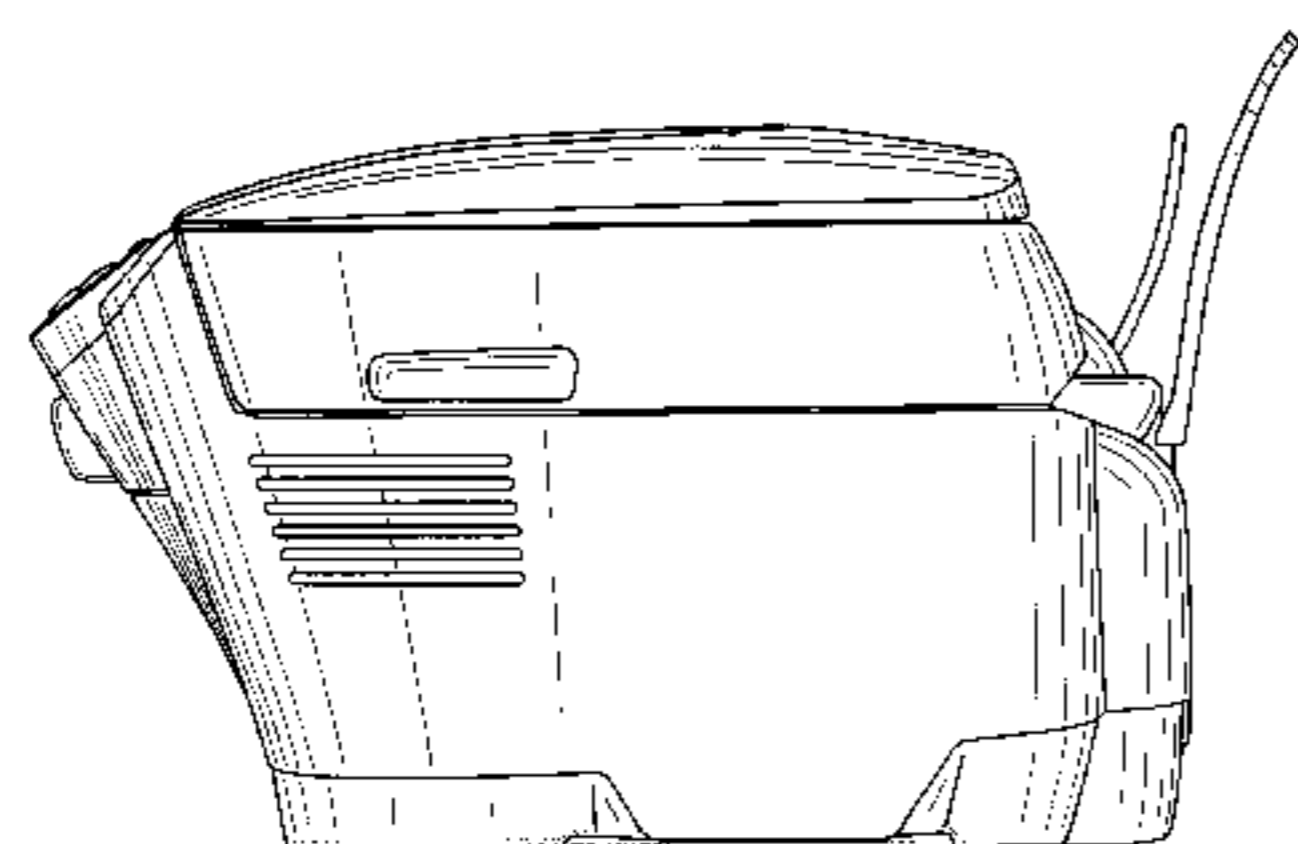
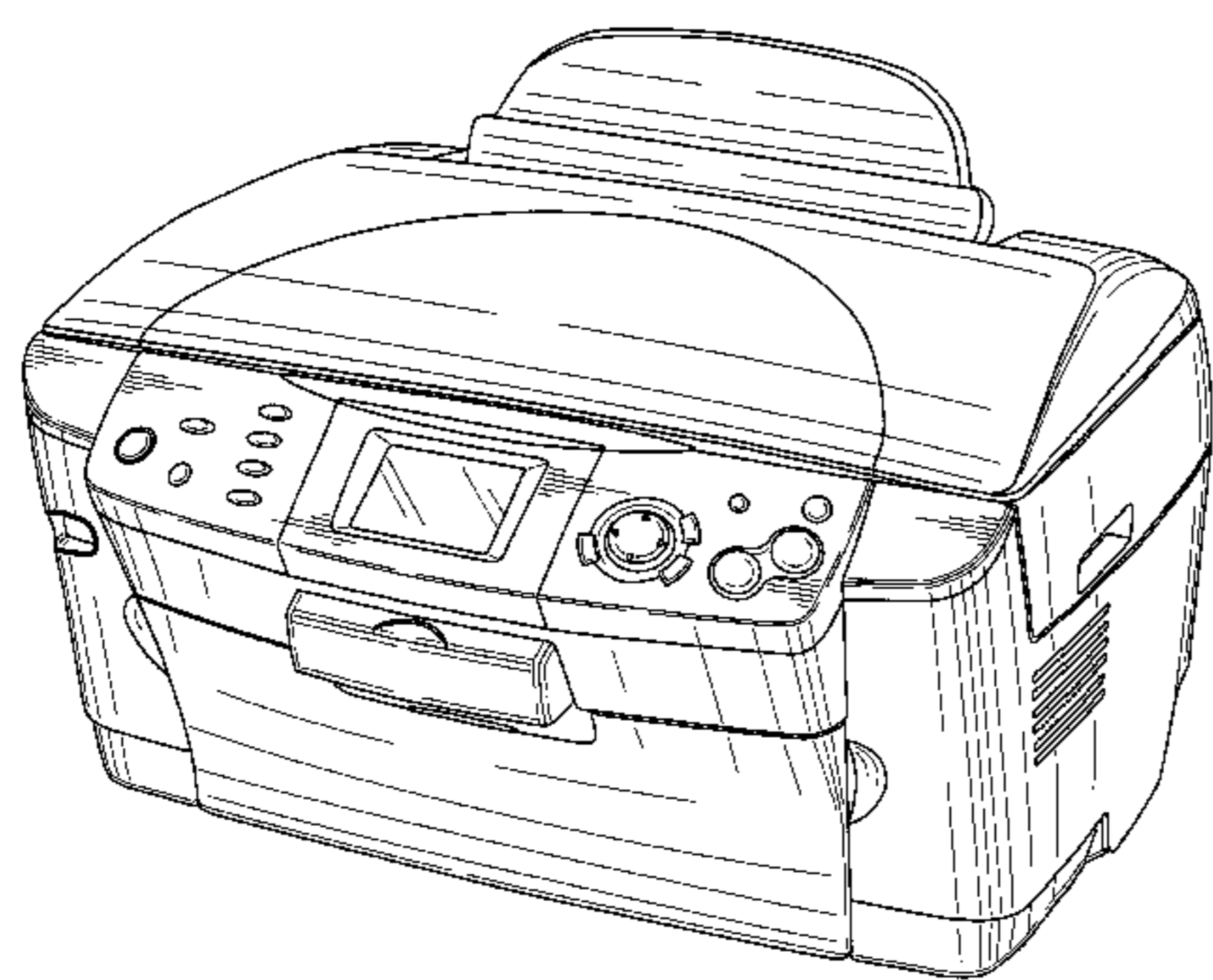


FIG. 1

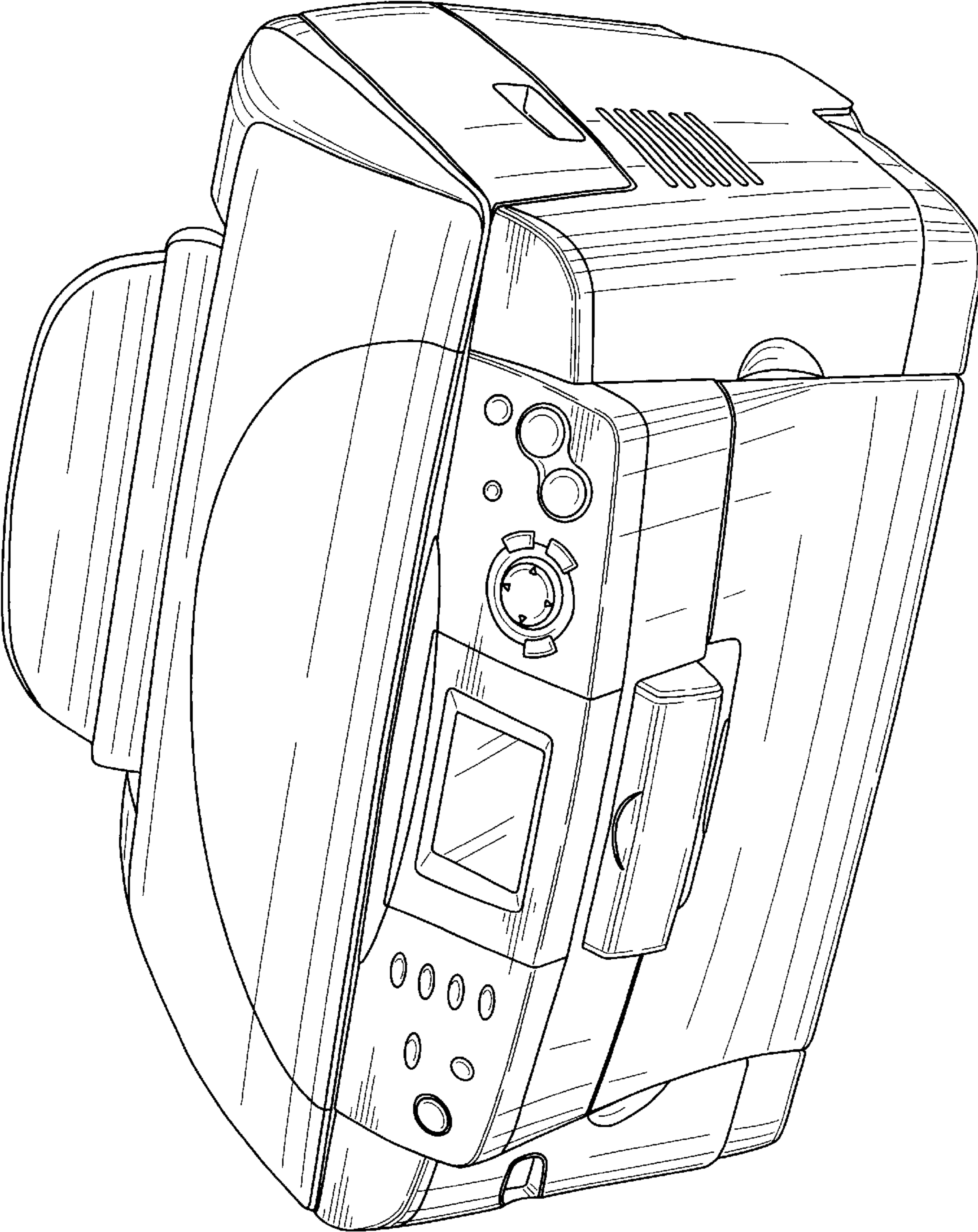


FIG. 2

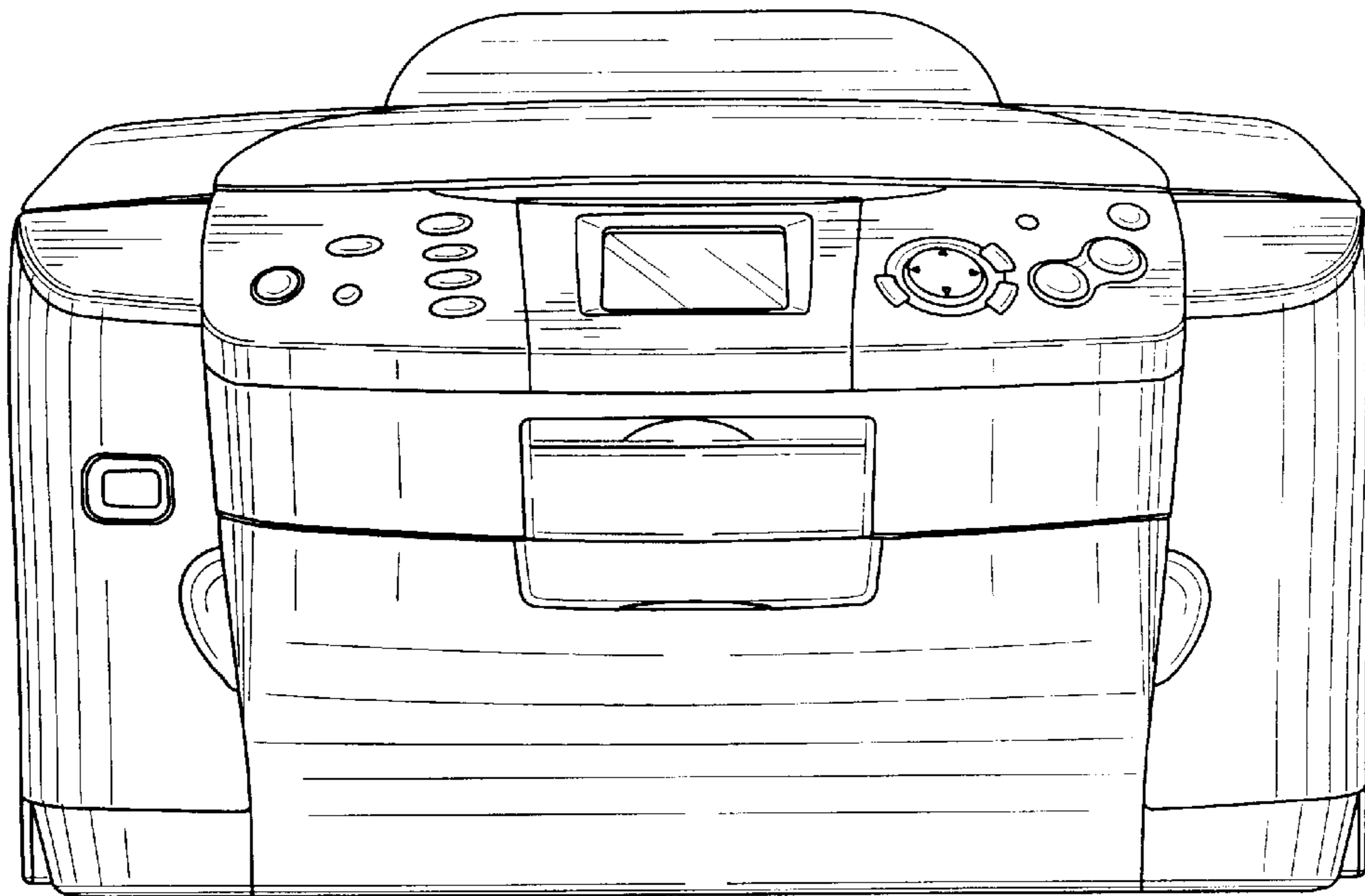


FIG. 3

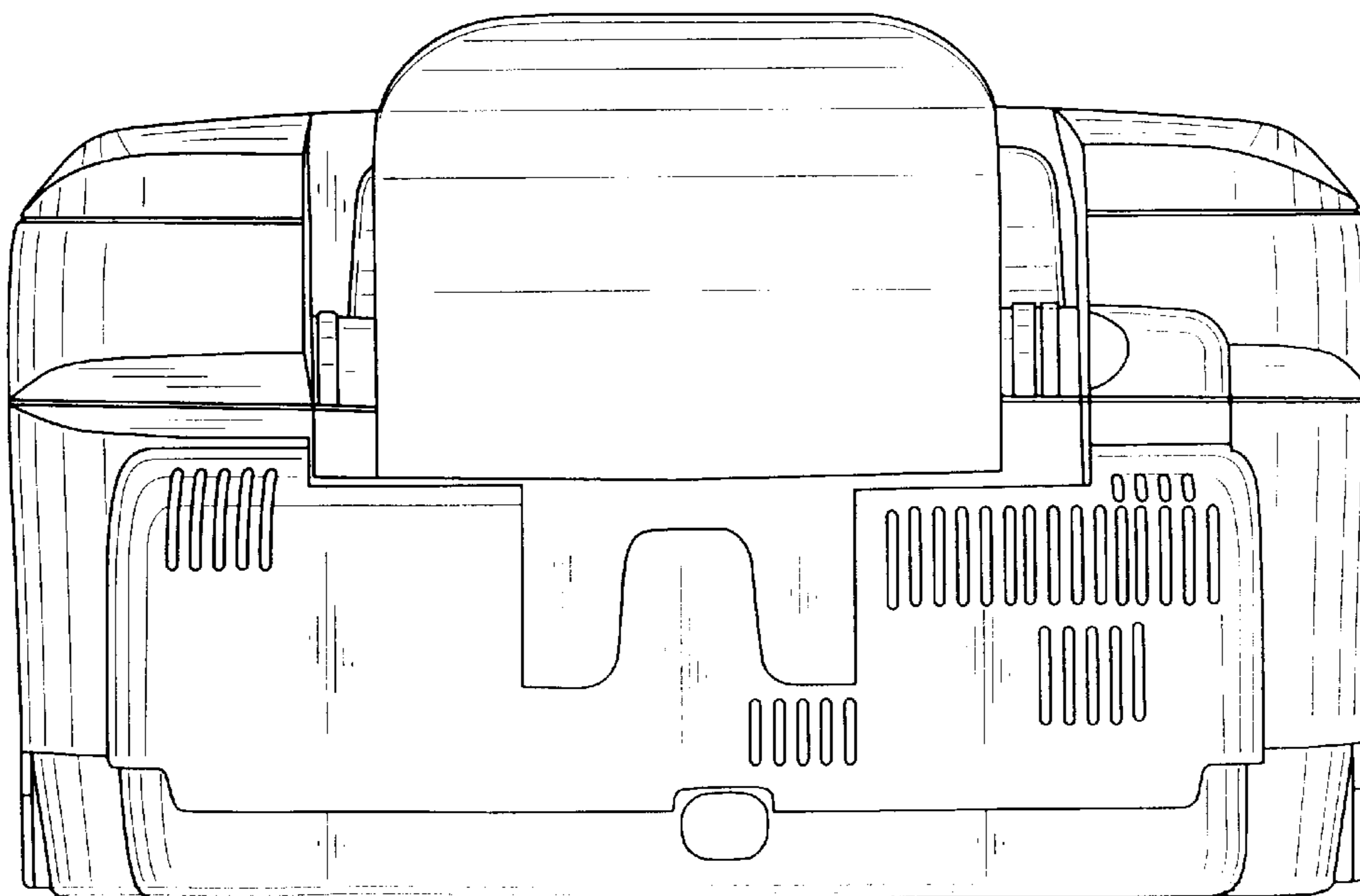


FIG. 4

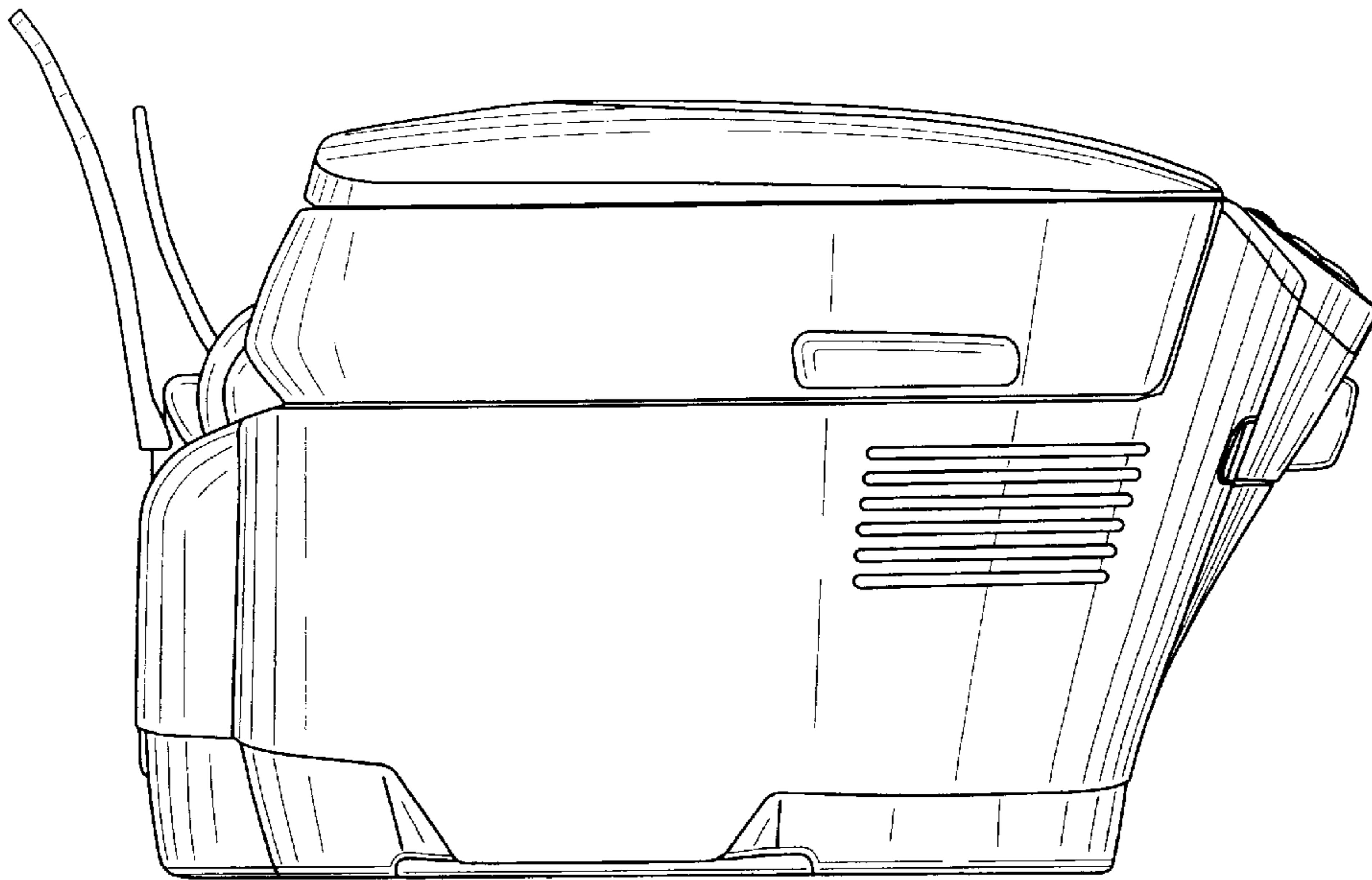


FIG. 5

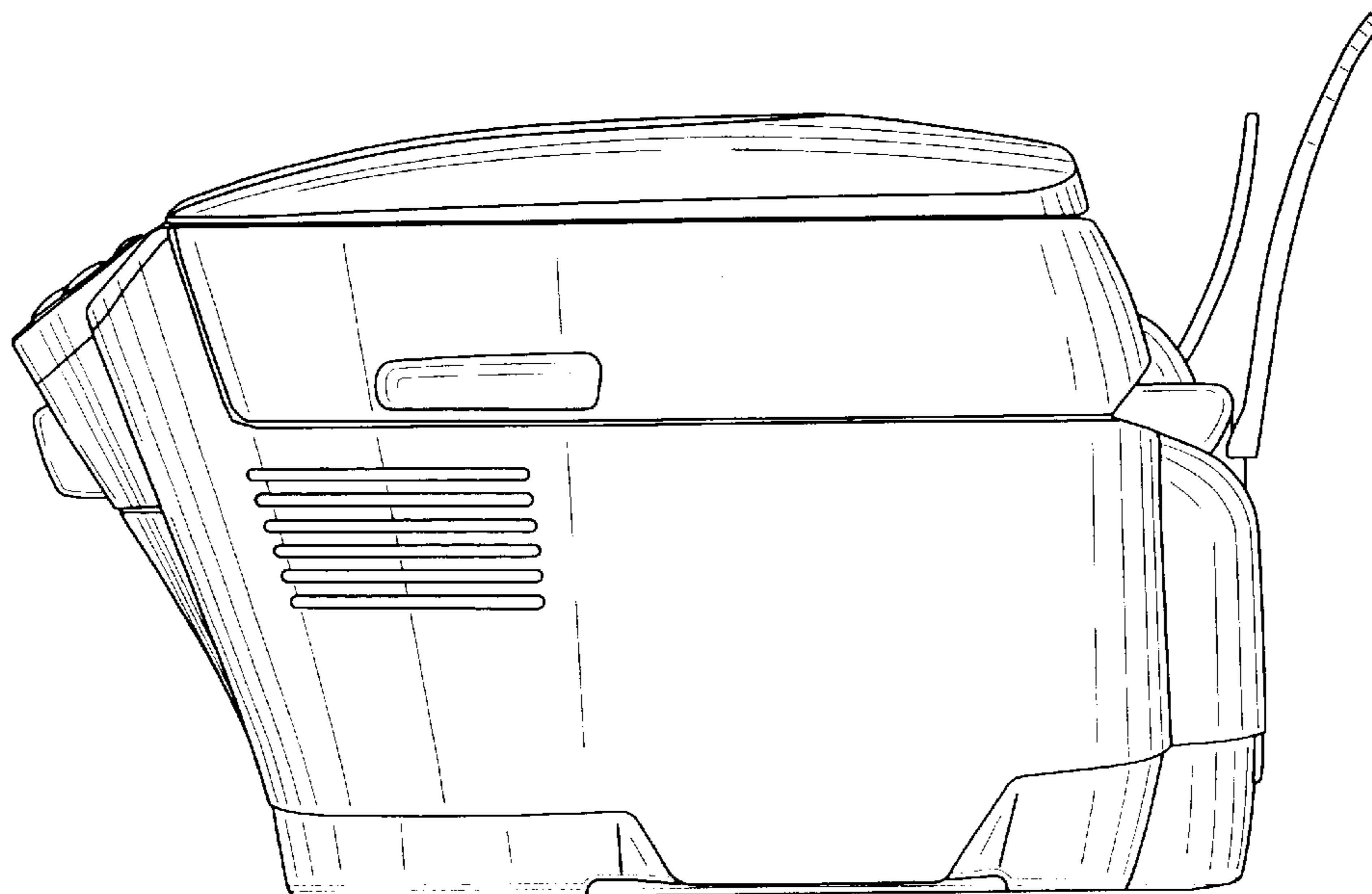


FIG. 6

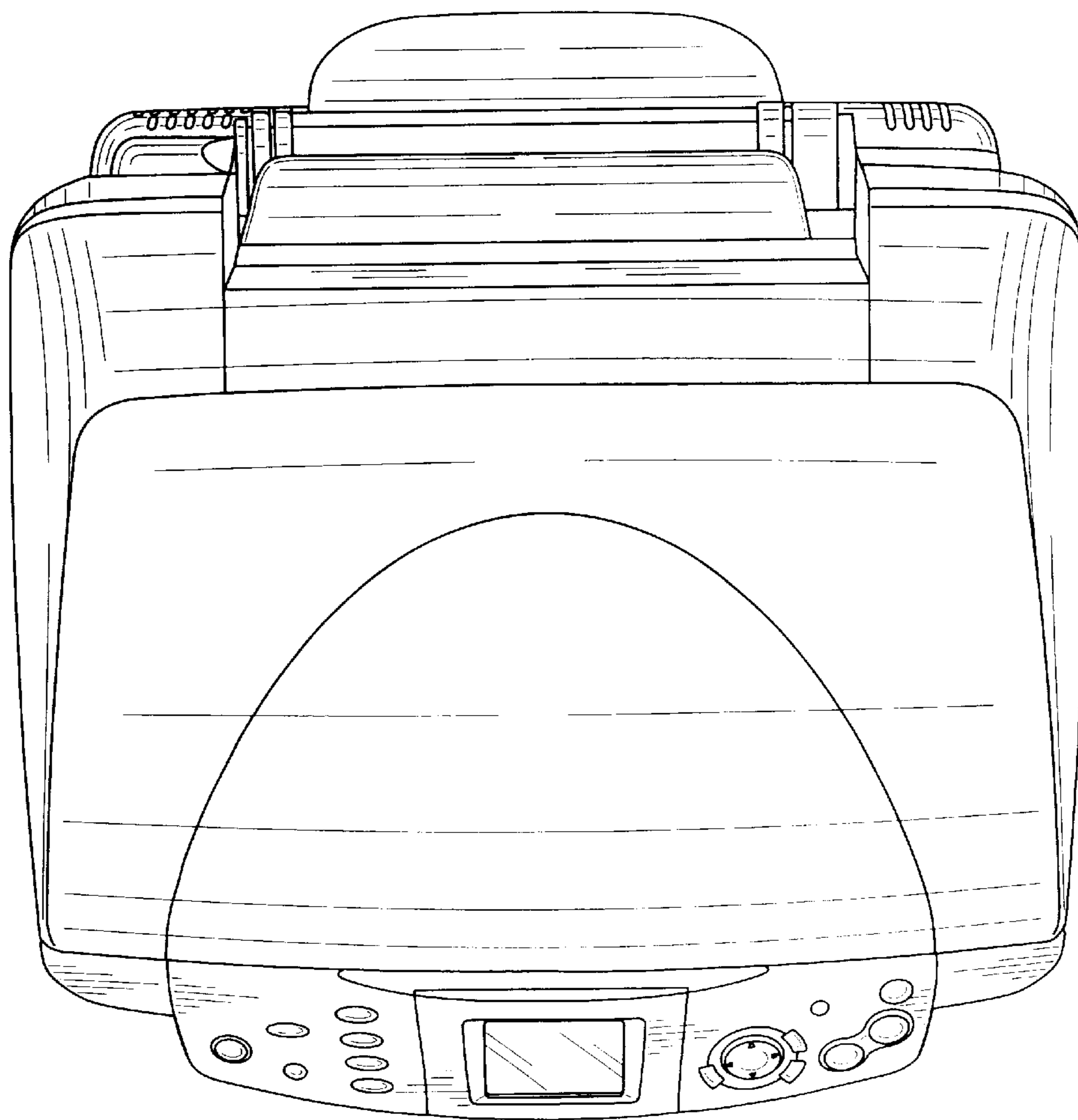
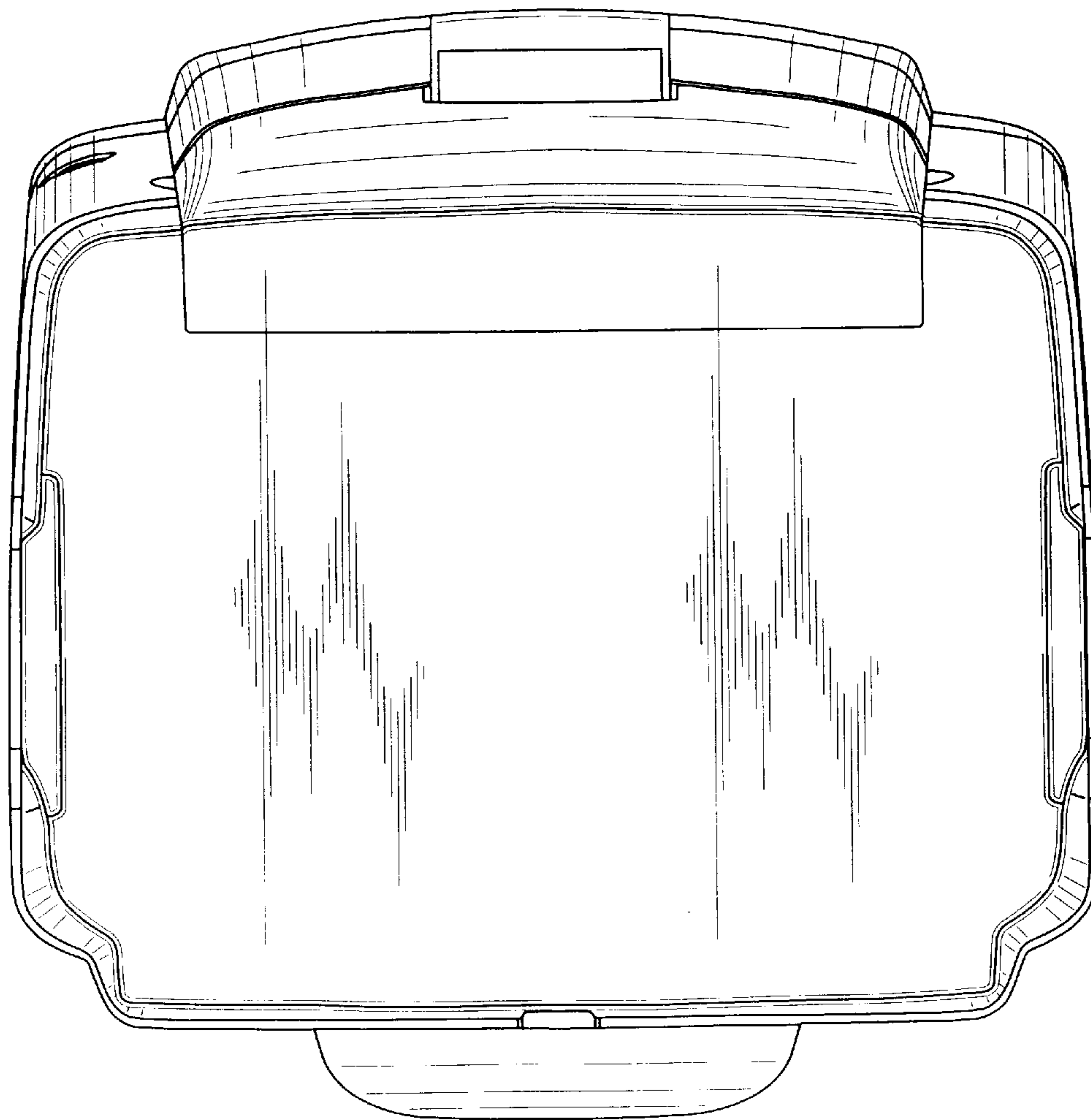


FIG. 7



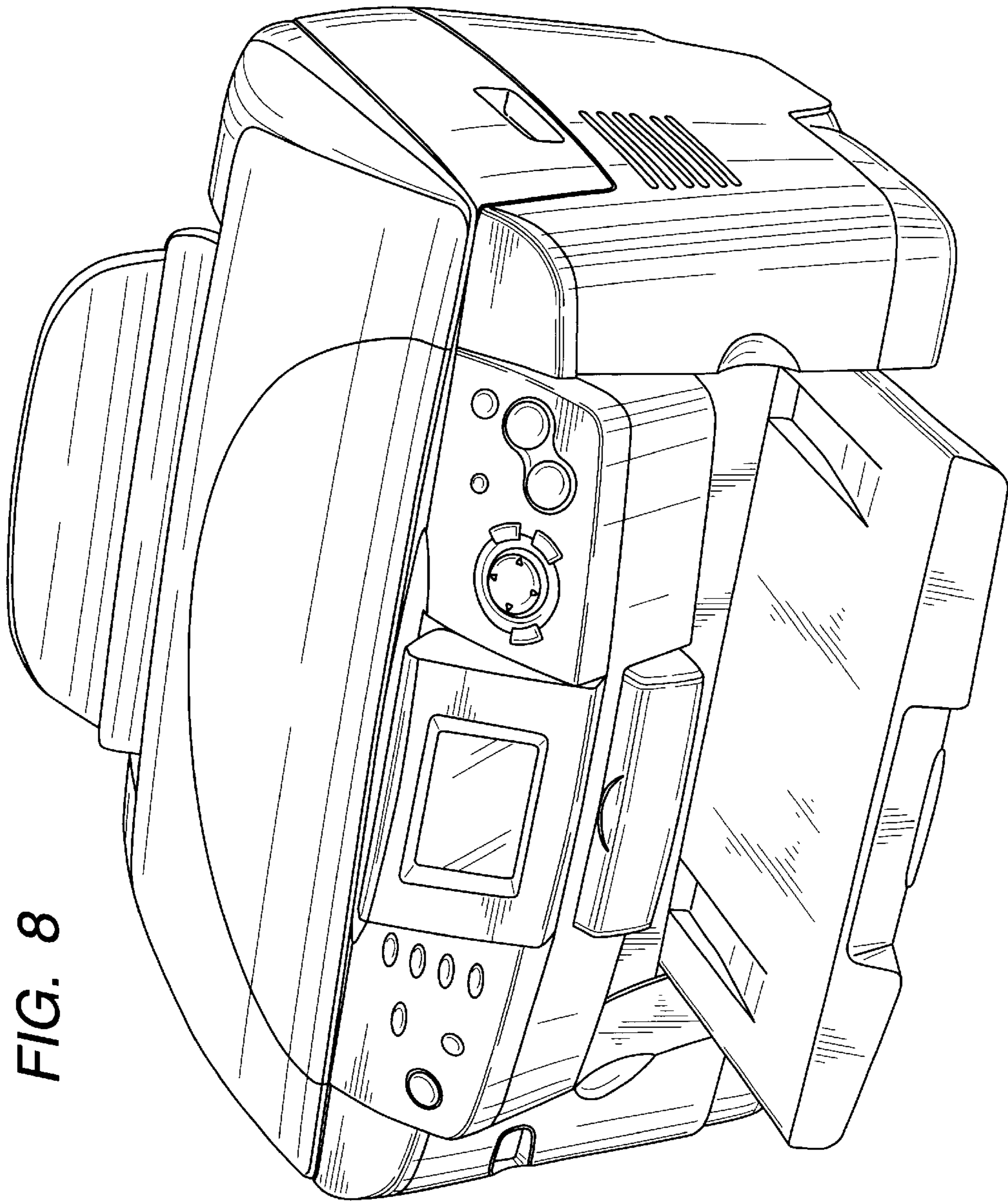


FIG. 8