

US00D526349S

(12) **United States Design Patent**  
**Granaas**

(10) **Patent No.:** **US D526,349 S**

(45) **Date of Patent:** **\*\* Aug. 8, 2006**

(54) **TAPE PRINTING MACHINE**

(75) Inventor: **Aage Granaas**, Redwood Shores, CA  
(US)

(73) Assignee: **Brother Industries, Ltd.**, Nagoya (JP)

(\*\*) Term: **14 Years**

(21) Appl. No.: **29/208,174**

(22) Filed: **Jun. 25, 2004**

(30) **Foreign Application Priority Data**

Dec. 25, 2003 (JP) ..... 2003-038407

(51) **LOC (8) Cl.** ..... **18-02**

(52) **U.S. Cl.** ..... **D18/54**

(58) **Field of Classification Search** ..... D18/19,  
D18/36-41, 50, 53, 54, 54.1, 55; D14/420-425,  
D14/462-470; 400/613, 613.1-613.4, 690.1-690.4,  
400/691-694

See application file for complete search history.

(56) **References Cited**

**U.S. PATENT DOCUMENTS**

D324,234 S \* 2/1992 Tanaka ..... D18/54

D333,316 S \* 2/1993 Ishizawa ..... D18/55

D376,384 S \* 12/1996 Woei-Fang ..... D18/55

D377,045 S \* 12/1996 Chida ..... D18/50

D386,515 S \* 11/1997 Sommerville et al. .... D18/54.1

D478,116 S \* 8/2003 Nakaeda et al. .... D18/19

D491,217 S \* 6/2004 Miyauchi et al. .... D18/50

\* cited by examiner

*Primary Examiner*—Louis S. Zarfes

*Assistant Examiner*—Anhdao Doan

(74) *Attorney, Agent, or Firm*—Oliff & Berridge, PLC

(57) **CLAIM**

The ornamental design for a tape printing machine, as shown and described.

**DESCRIPTION**

FIG. 1 is a perspective view of a tape printing machine;

FIG. 2 is a front view thereof;

FIG. 3 is a top view thereof;

FIG. 4 is a right-side view thereof;

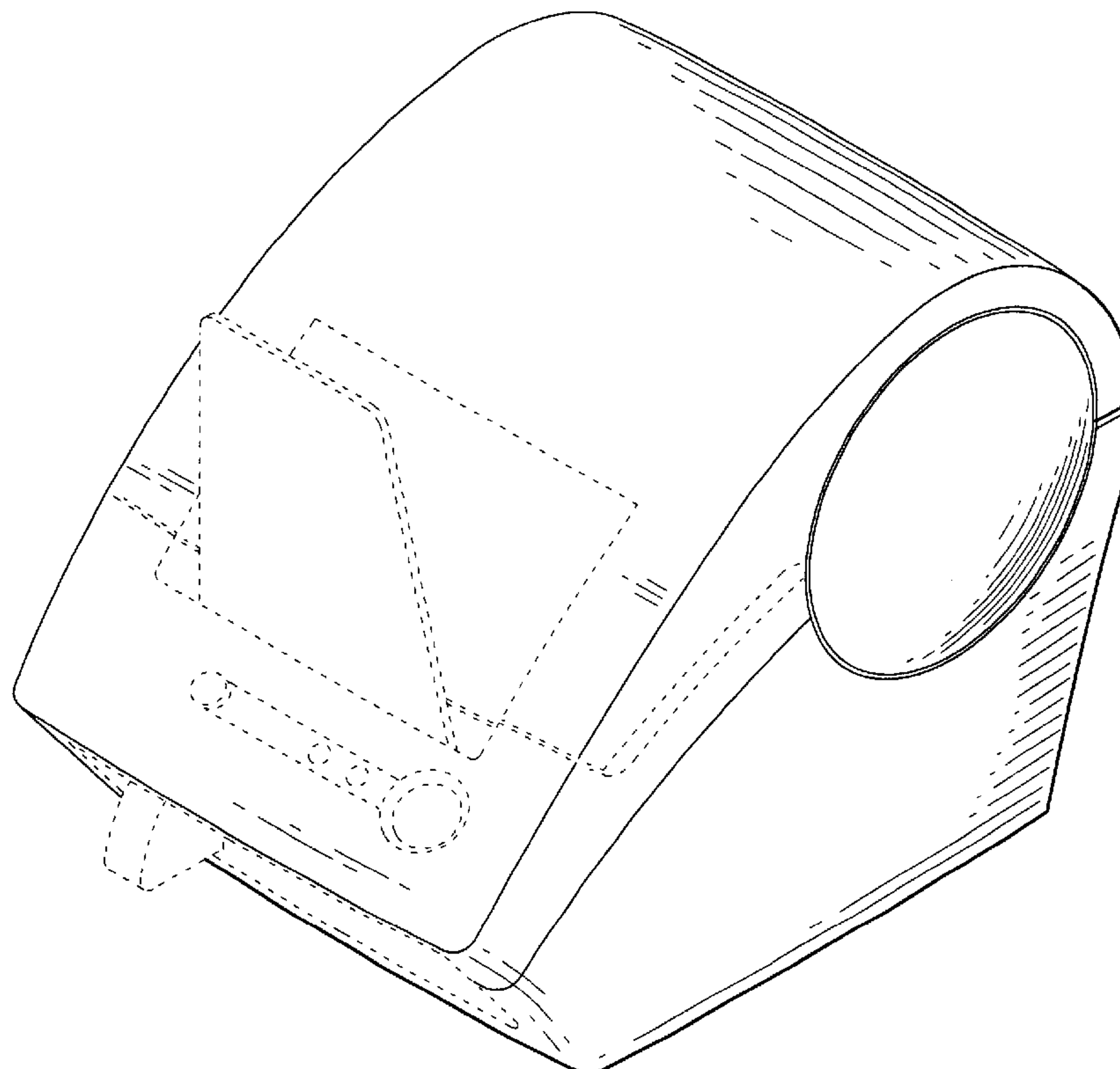
FIG. 5 is a left-side view thereof;

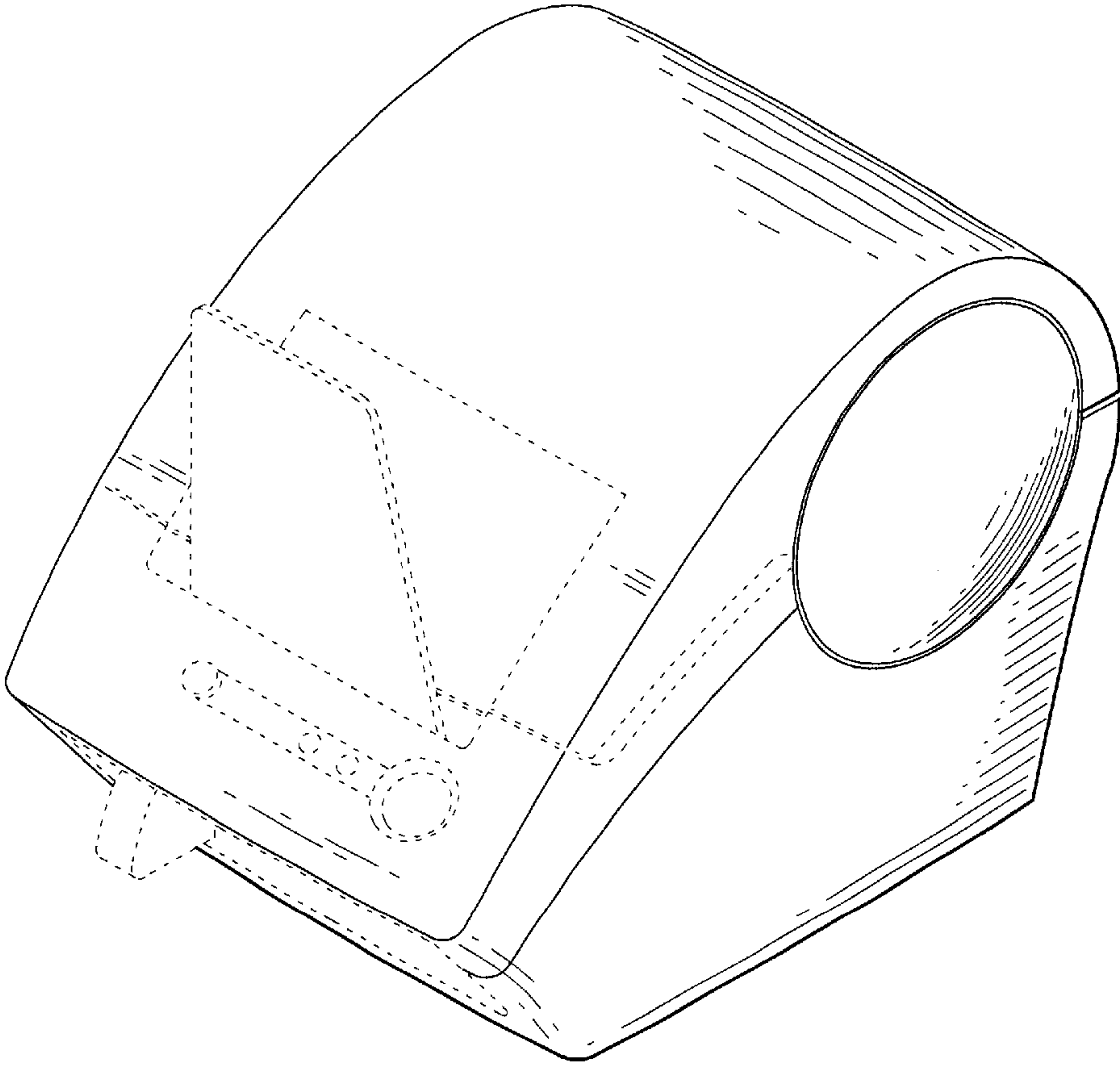
FIG. 6 is a rear view thereof; and,

FIG. 7 is a bottom view thereof.

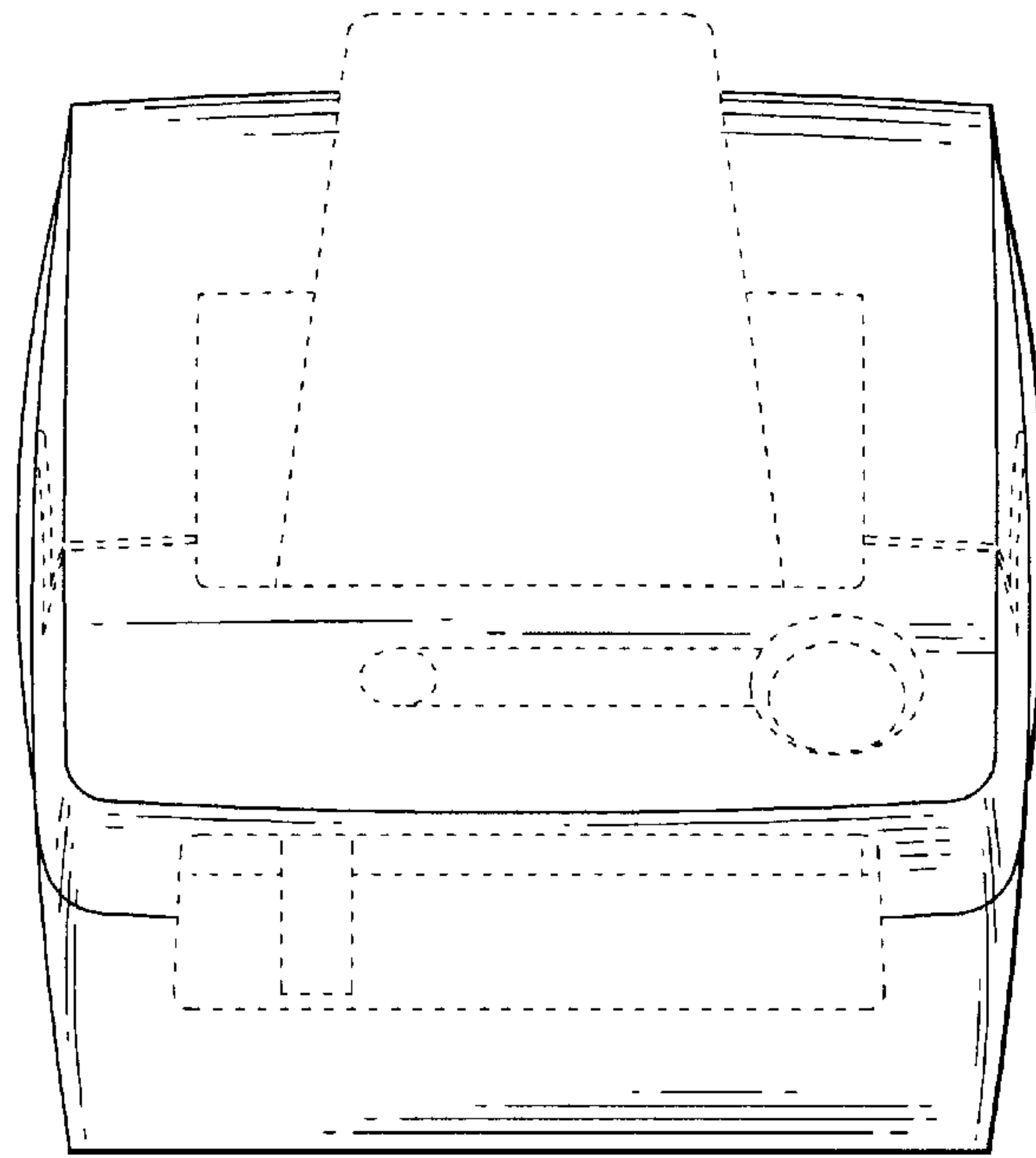
The broken line disclosure is for illustrative purposes only and forms no part of the claimed design.

**1 Claim, 4 Drawing Sheets**

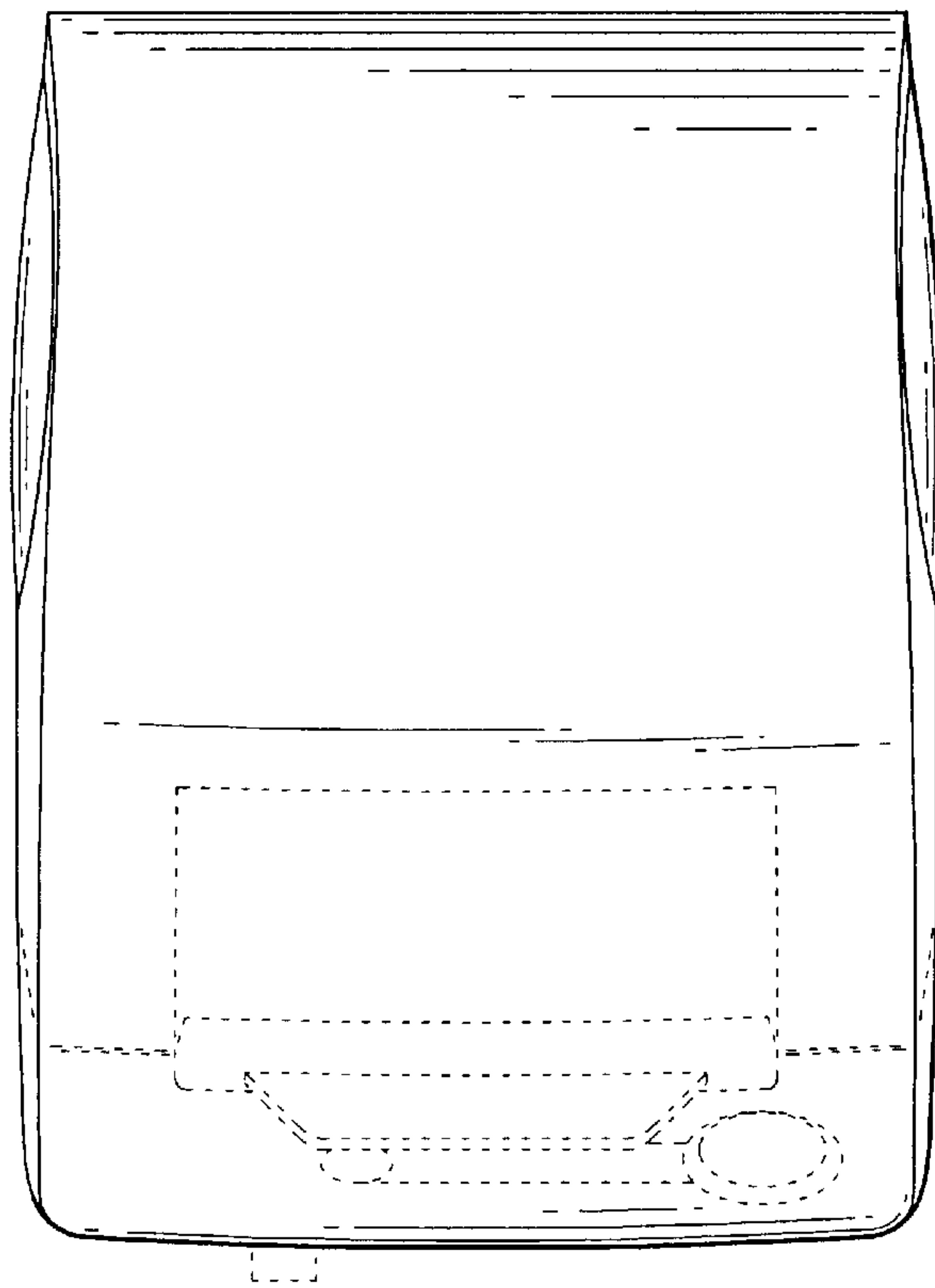




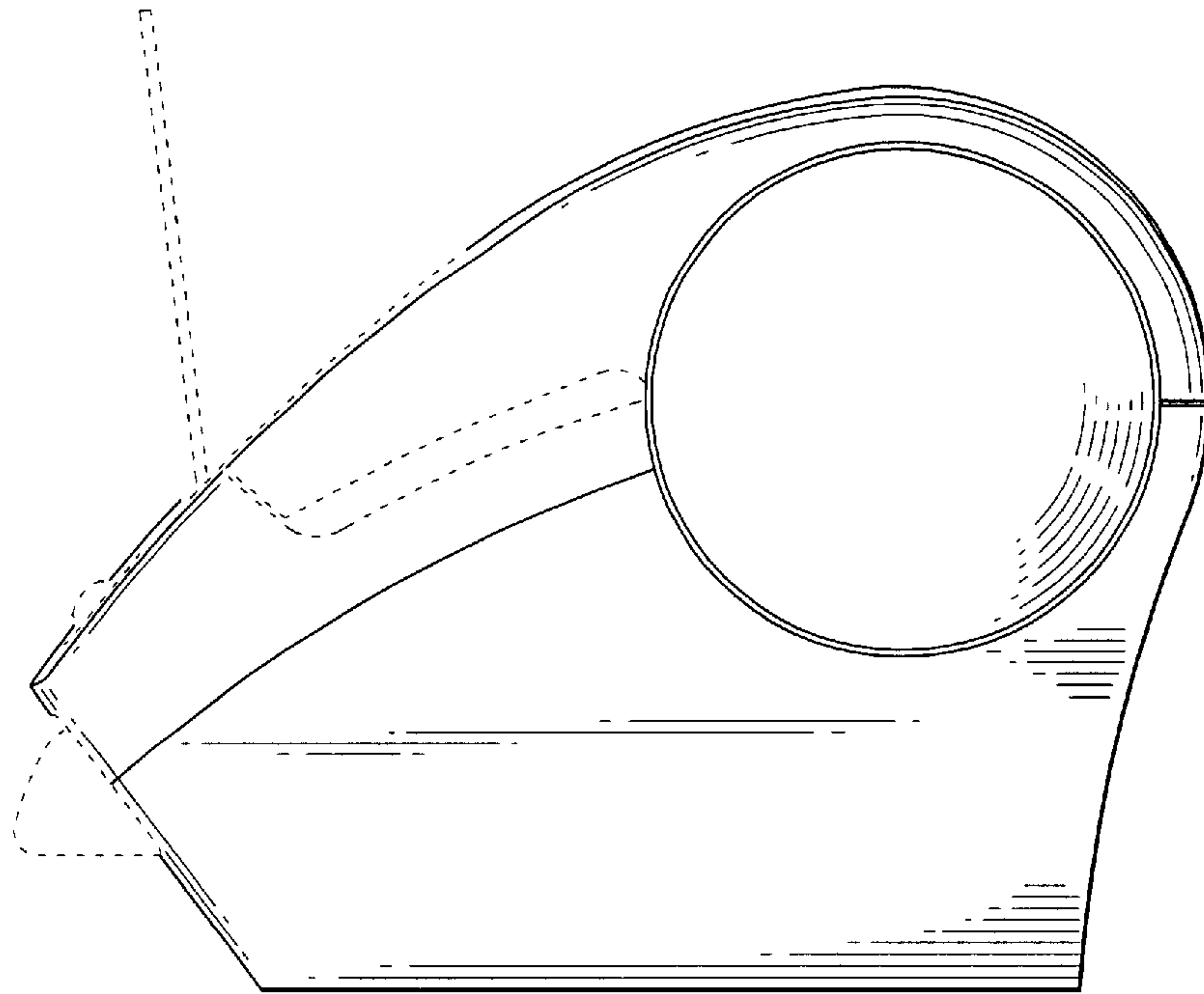
*Fig. 1*



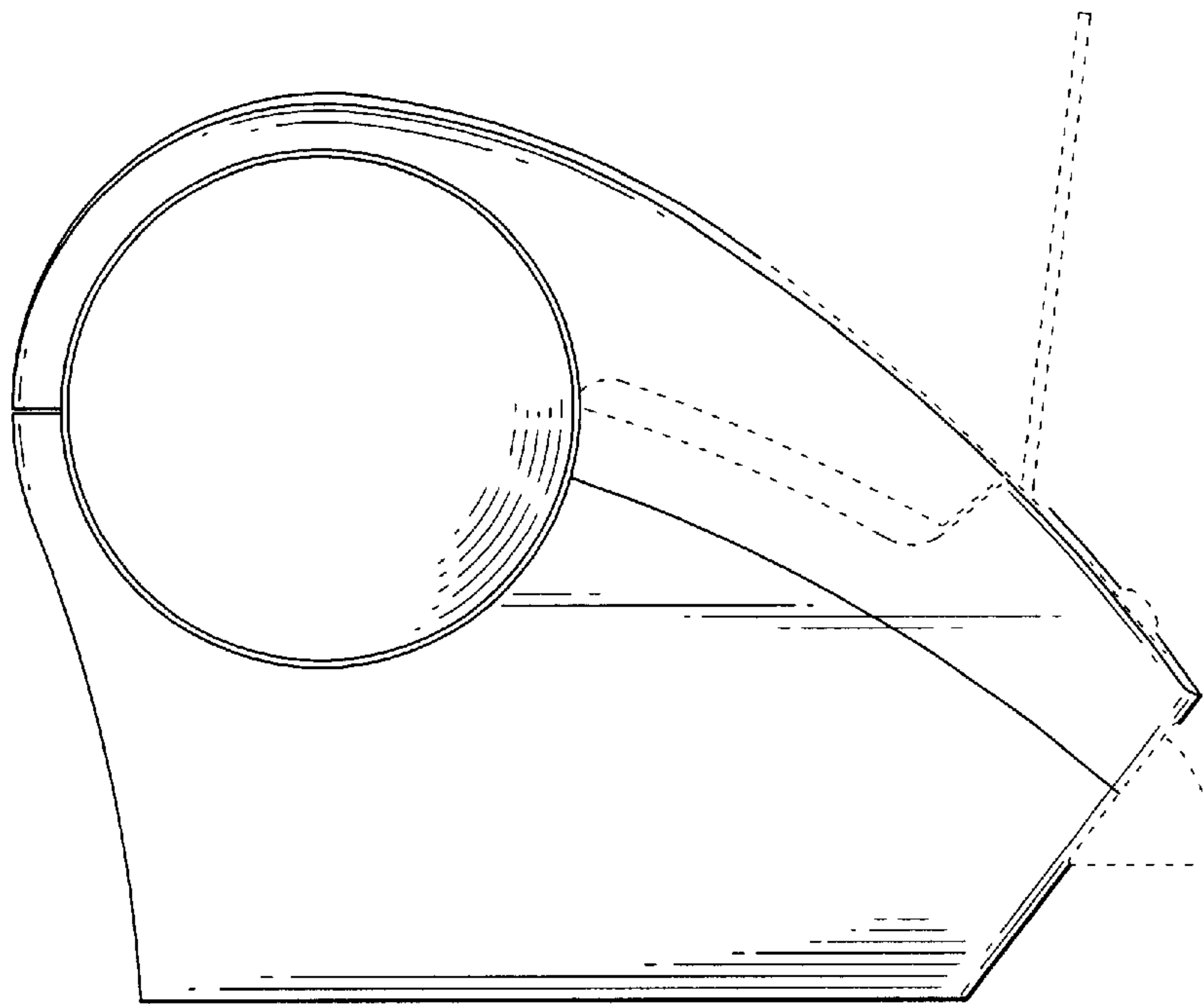
*Fig. 2*



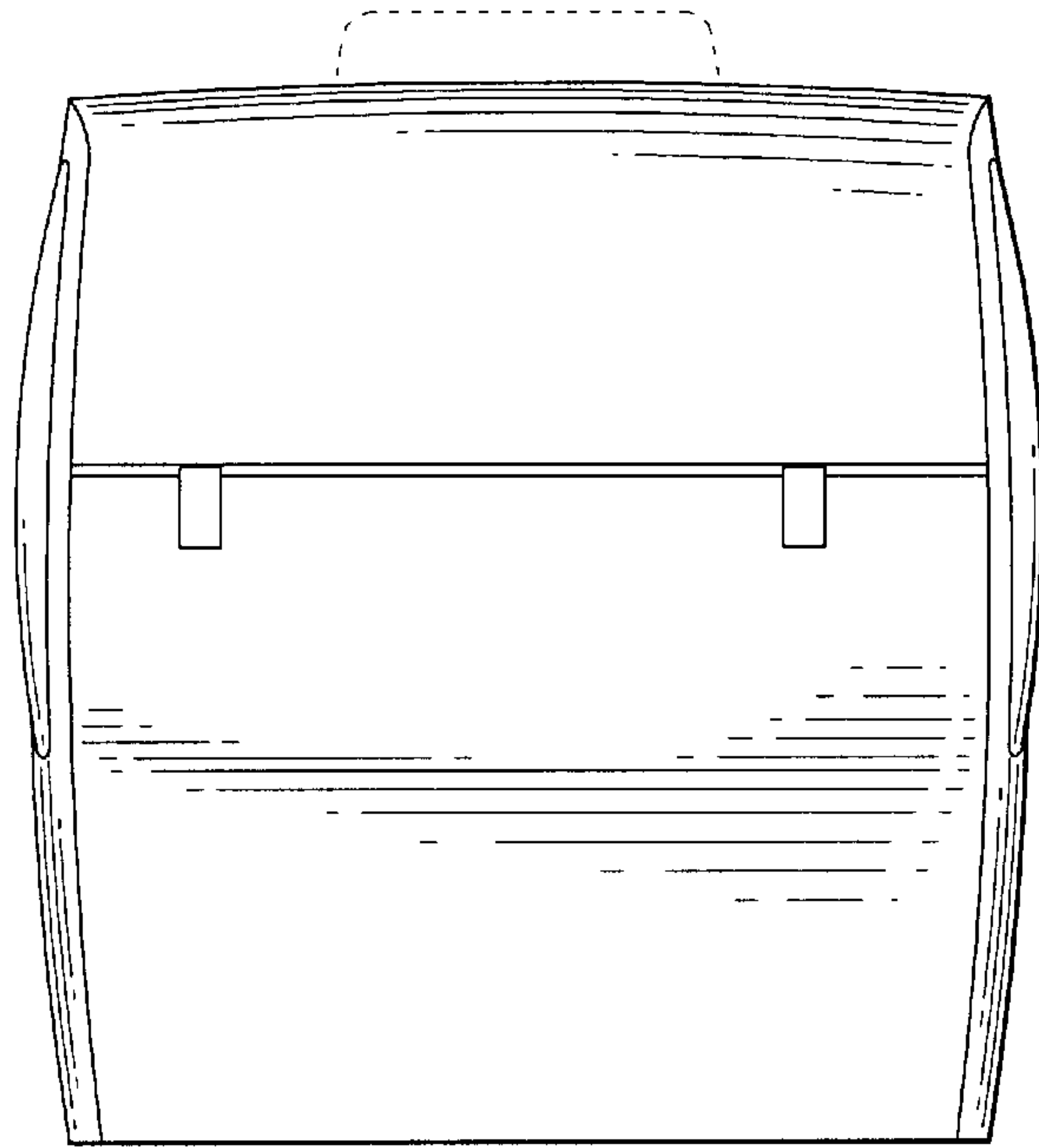
*Fig. 3*



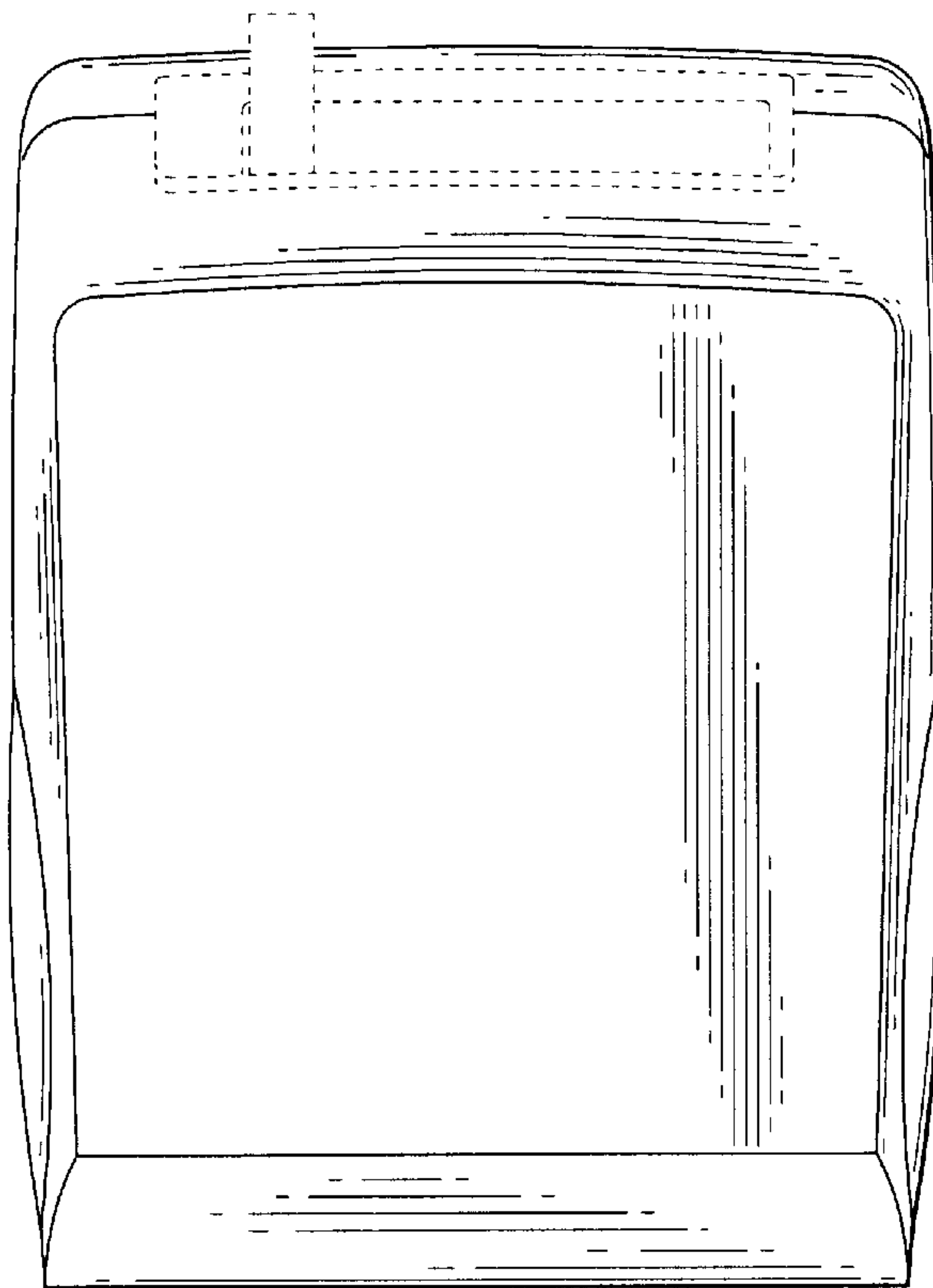
*Fig. 4*



*Fig. 5*



*Fig. 6*



*Fig. 7*