



US00D526347S

(12) **United States Design Patent**
Ito

(10) **Patent No.:** **US D526,347 S**

(45) **Date of Patent:** **** Aug. 8, 2006**

(54) **PRINTER FOR CLOTH**

(75) Inventor: **Kazuo Ito**, Aichi-gun (JP)

(73) Assignee: **Brother Industries, Ltd.**, Nagoya (JP)

(**) Term: **14 Years**

(21) Appl. No.: **29/203,659**

(22) Filed: **Apr. 19, 2004**

(30) **Foreign Application Priority Data**

Oct. 24, 2003 (JP) 2003-031565

(51) **LOC (8) Cl.** **18-02**

(52) **U.S. Cl.** **D18/50**

(58) **Field of Classification Search** D18/19,
D18/36-41, 50, 53, 54, 54.1, 55; D14/420-425,
D14/462-470; 400/613, 613.1-613.4, 690.1-690.4,
400/691-694; D13/162, 168, 171; 347/104
See application file for complete search history.

(56) **References Cited**

U.S. PATENT DOCUMENTS

D287,497 S * 12/1986 Goodner et al. D18/55
D306,998 S * 4/1990 Mintz et al. D13/164

D320,616 S * 10/1991 Takahashi D18/55
D358,603 S * 5/1995 Dodge et al. D18/55
5,454,553 A * 10/1995 Firl et al. 347/104
D379,197 S * 5/1997 Kawahara et al. D18/55
D432,995 S * 10/2000 Hubler et al. D13/162

* cited by examiner

Primary Examiner—Louis S. Zarfaz

Assistant Examiner—Anhdao Doan

(74) *Attorney, Agent, or Firm*—Oliff & Berridge, PLC

(57) **CLAIM**

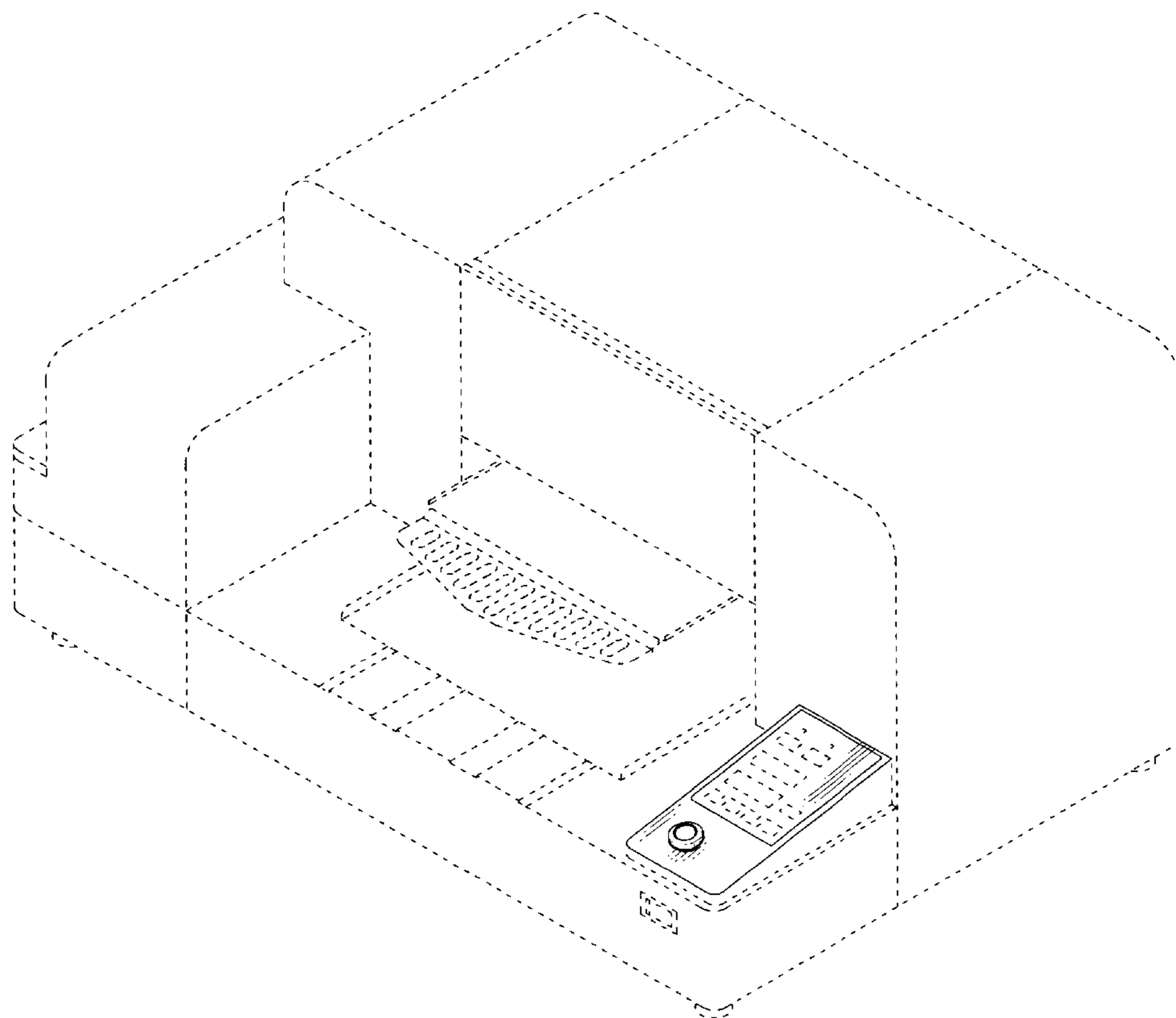
The ornamental design for a printer for cloth, as shown and described.

DESCRIPTION

FIG. 1 is a front perspective view of a printer for cloth;
FIG. 2 is a front view thereof;
FIG. 3 is a top view thereof;
FIG. 4 is a right-side view thereof; and,
FIG. 5 is an enlarged perspective view of a portion of FIG. 1.

The broken lines are for illustrative purposes only and form no part of the claimed design.

1 Claim, 5 Drawing Sheets



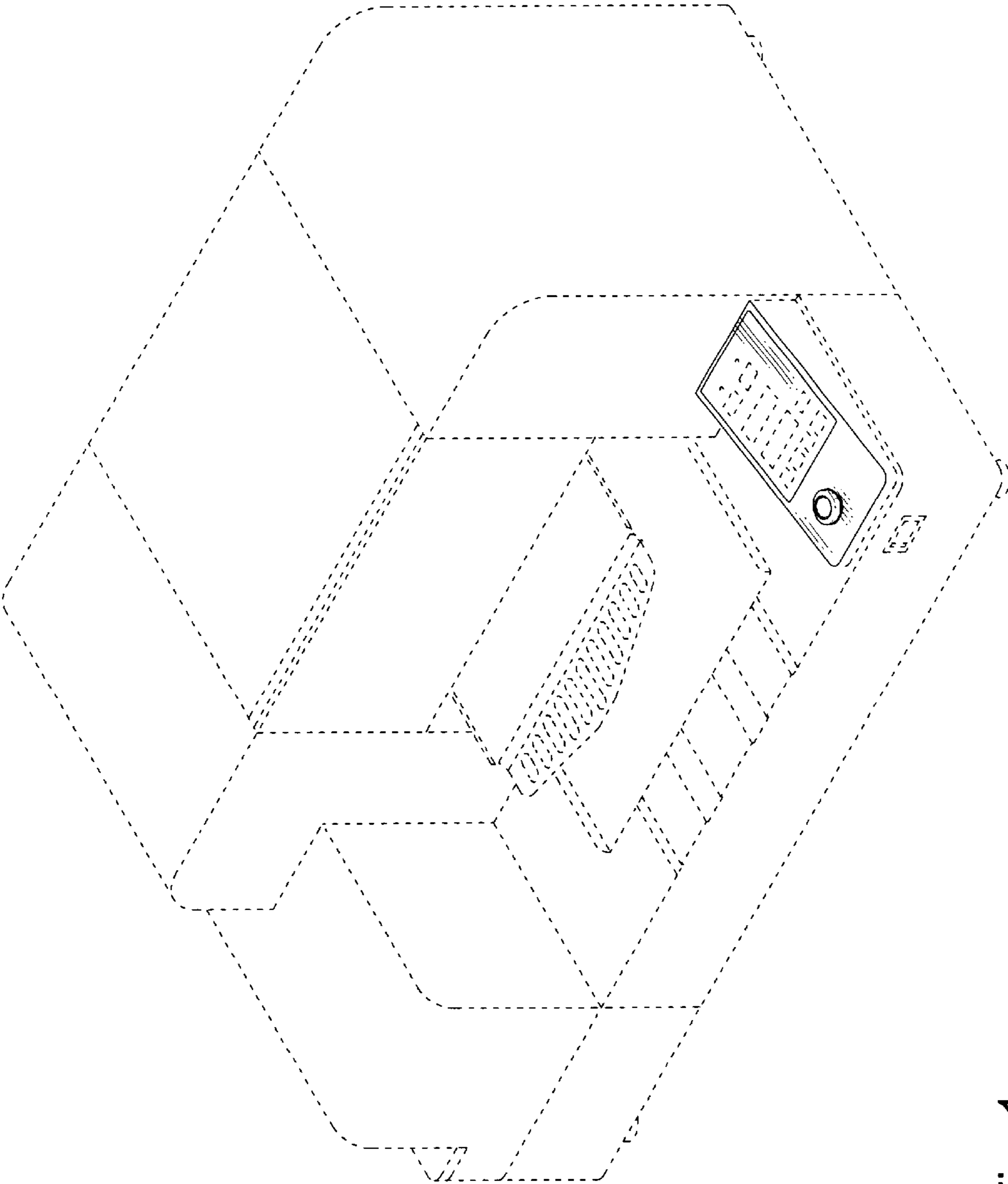


Fig. 1

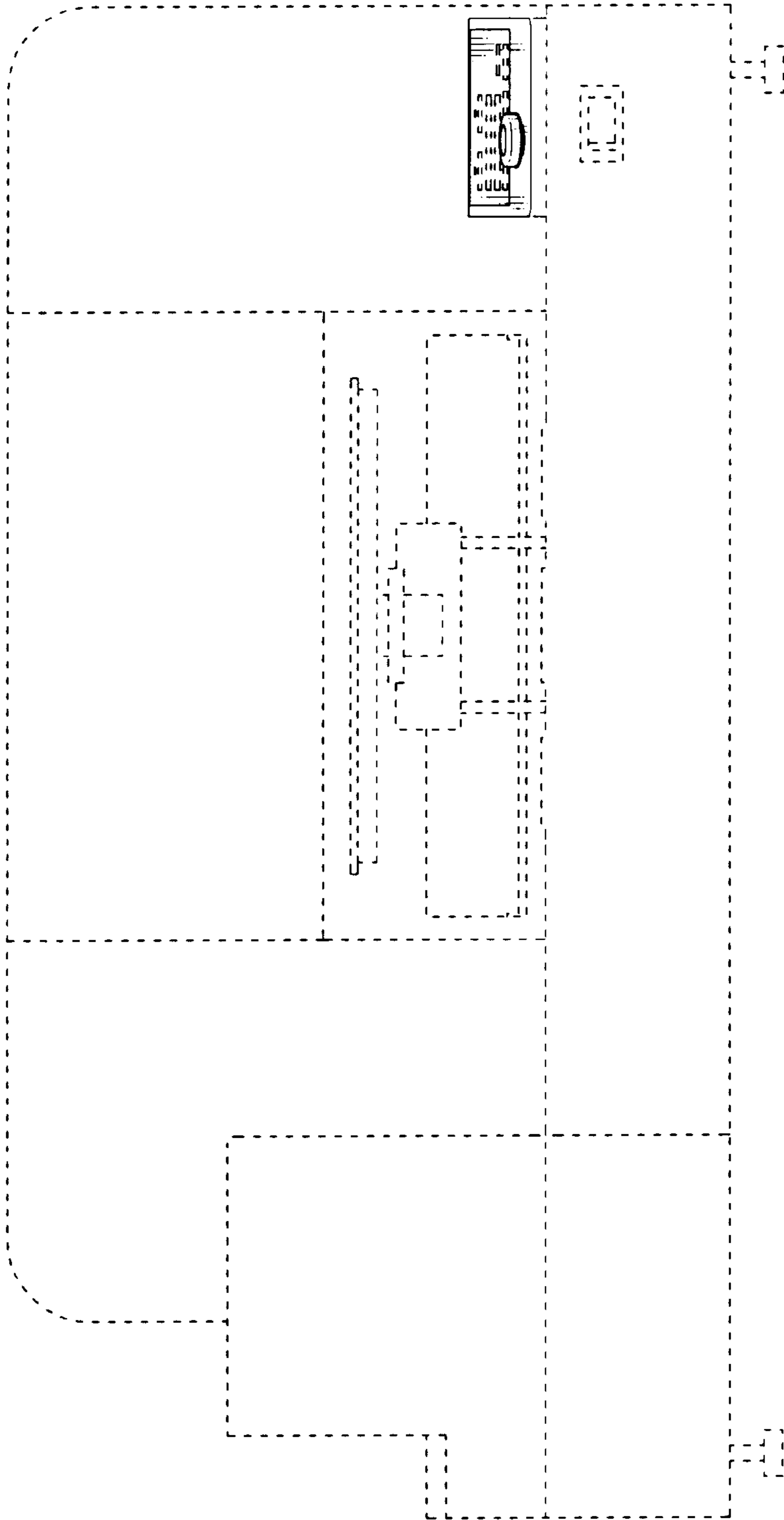


Fig. 2

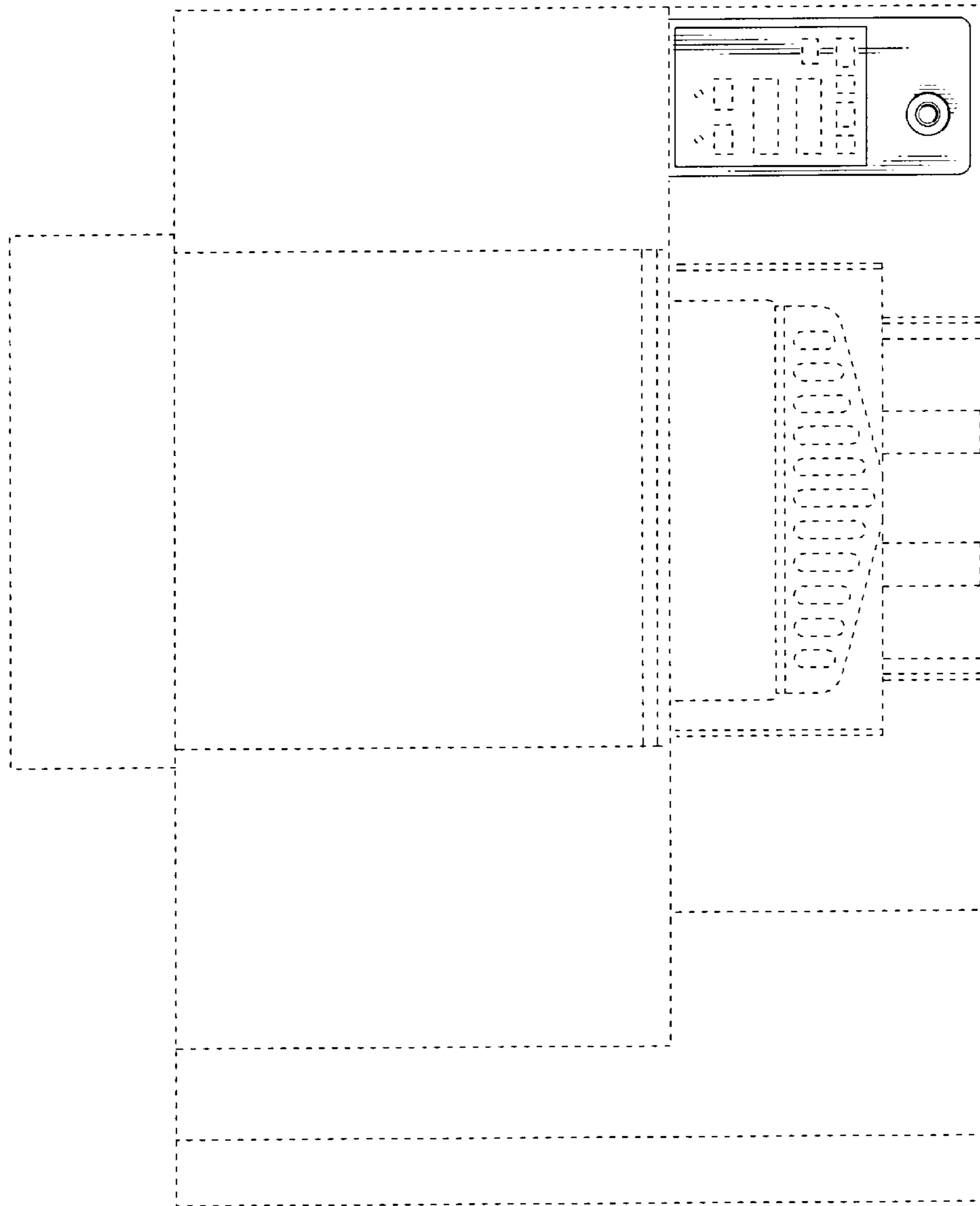


Fig. 3

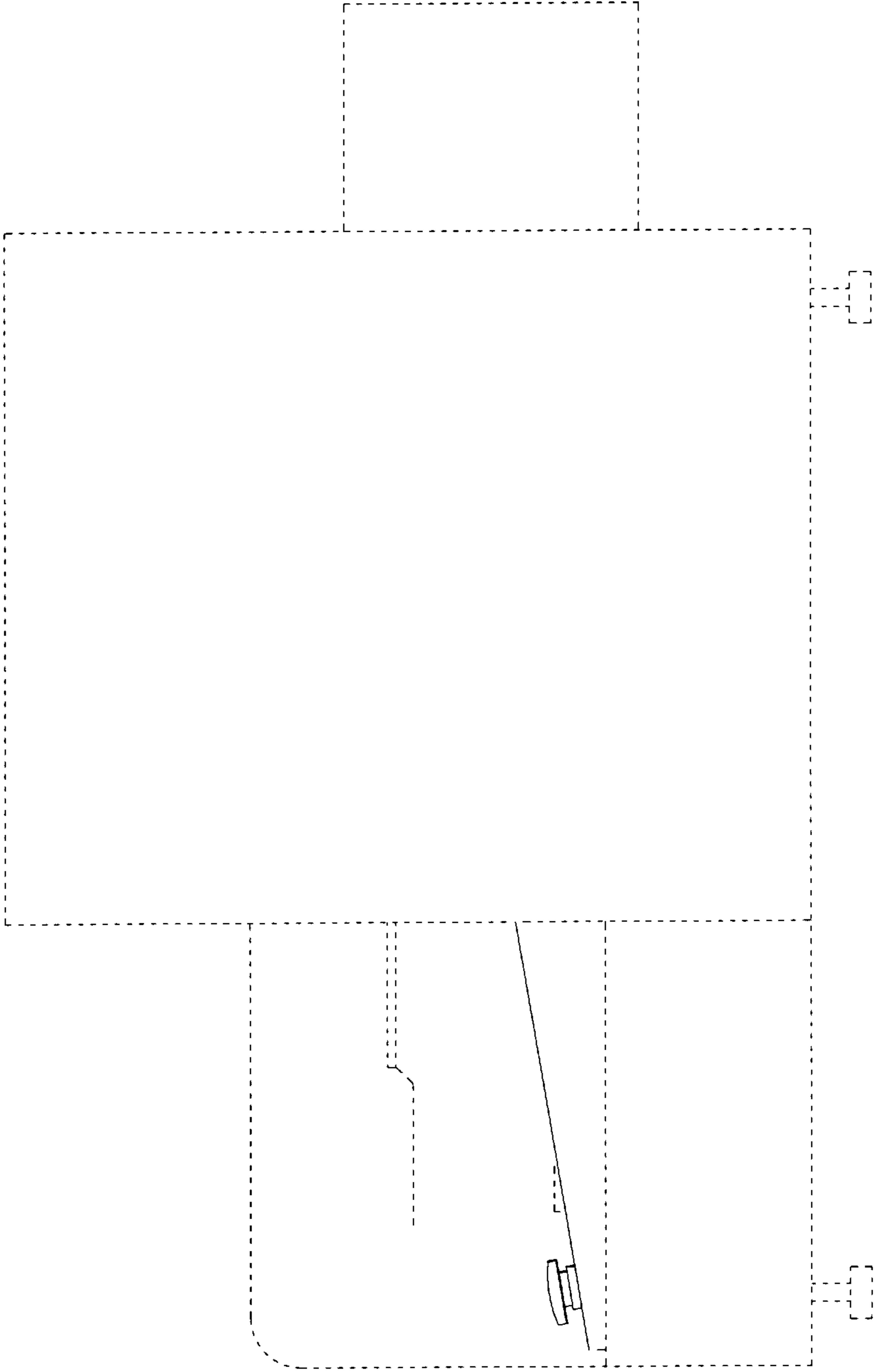


Fig. 4

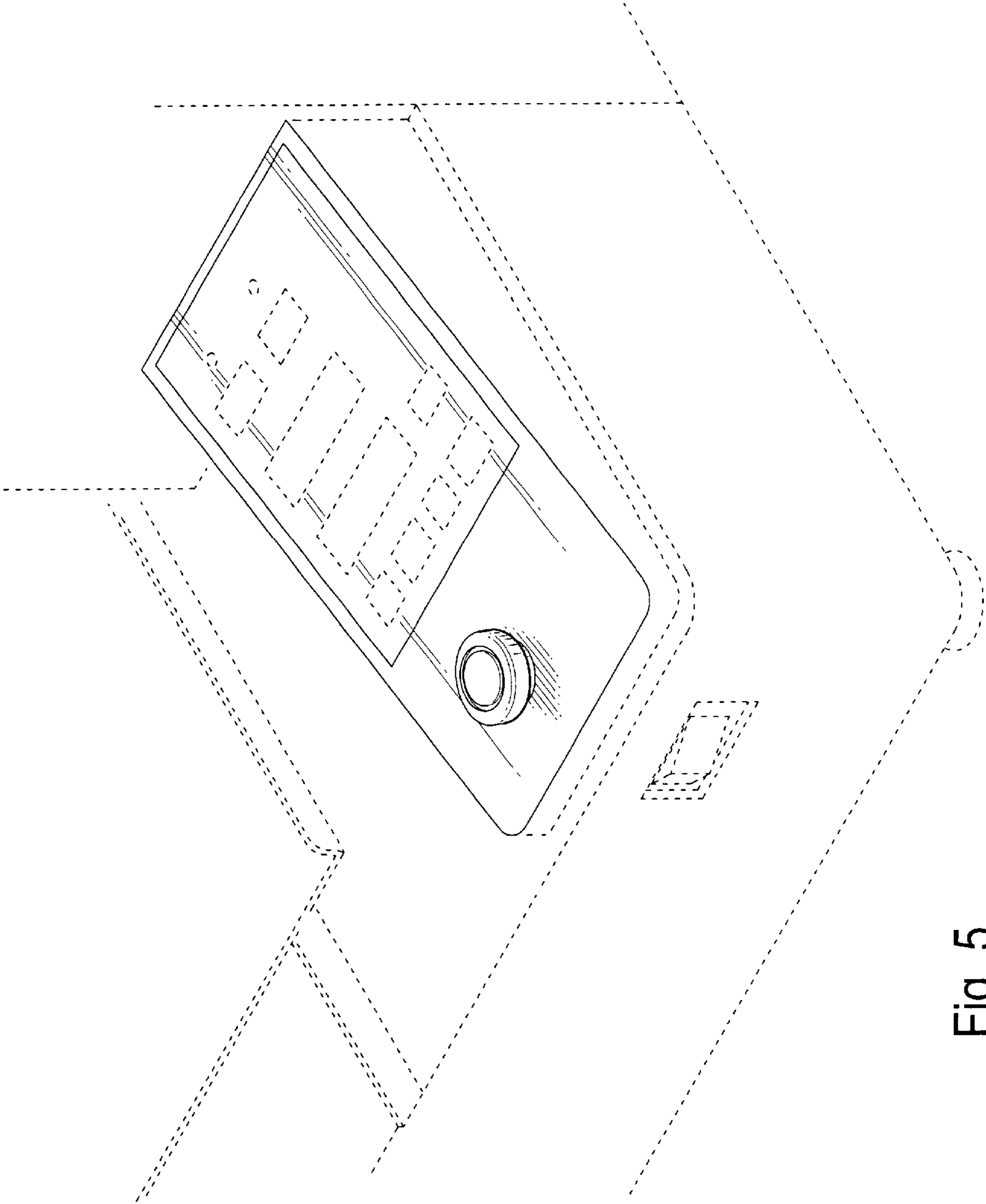


Fig. 5