



US00D526340S

(12) **United States Design Patent**  
**Hodgson**

(10) **Patent No.:** **US D526,340 S**

(45) **Date of Patent:** **\*\* Aug. 8, 2006**

(54) **SLIM MAGNIFIER**

(75) Inventor: **Fraser Milbourne Hodgson**, London  
(GB)

(73) Assignee: **Daylight Company (Holdings)**  
**Limited**, London (GB)

(\*\*) Term: **14 Years**

(21) Appl. No.: **29/235,170**

(22) Filed: **Jul. 27, 2005**

(51) **LOC (8) Cl.** ..... **16-06**

(52) **U.S. Cl.** ..... **D16/135**

(58) **Field of Classification Search** ..... D16/130,  
D16/135; D28/64.1-64.7; D26/38, 44, 51,  
D26/58, 65; D3/208; 362/33, 38, 64.6, 109,  
362/157, 309; 359/747, 798, 800, 801, 802,  
359/803, 804, 805, 808, 809, 811, 812, 817,  
359/820, 819

See application file for complete search history.

(56) **References Cited**

**U.S. PATENT DOCUMENTS**

D196,269 S \* 9/1963 Mehr ..... D16/135  
D218,537 S \* 8/1970 Bushon ..... D16/135  
D307,758 S \* 5/1990 Tsuji ..... D16/135

4,929,054 A \* 5/1990 Ahmad et al. .... 359/820  
D328,910 S \* 8/1992 Wallace ..... D16/135  
5,488,514 A \* 1/1996 Bruning et al. .... 359/811  
5,982,565 A \* 11/1999 Nomura et al. .... 359/819  
6,322,226 B1 \* 11/2001 Dickson ..... 362/33  
6,816,325 B1 \* 11/2004 Becker et al. .... 359/819

\* cited by examiner

*Primary Examiner*—Paula A. Greene

(74) *Attorney, Agent, or Firm*—Lawrence E. Laubscher, Jr.

(57) **CLAIM**

The ornamental design for a slim magnifier, as shown and described.

**DESCRIPTION**

FIG. 1 is a top perspective view of a slim magnifier showing my new design;

FIG. 2 is a front elevation view thereof;

FIG. 3 is a rear elevation view thereof;

FIG. 4 is a left side elevation view thereof;

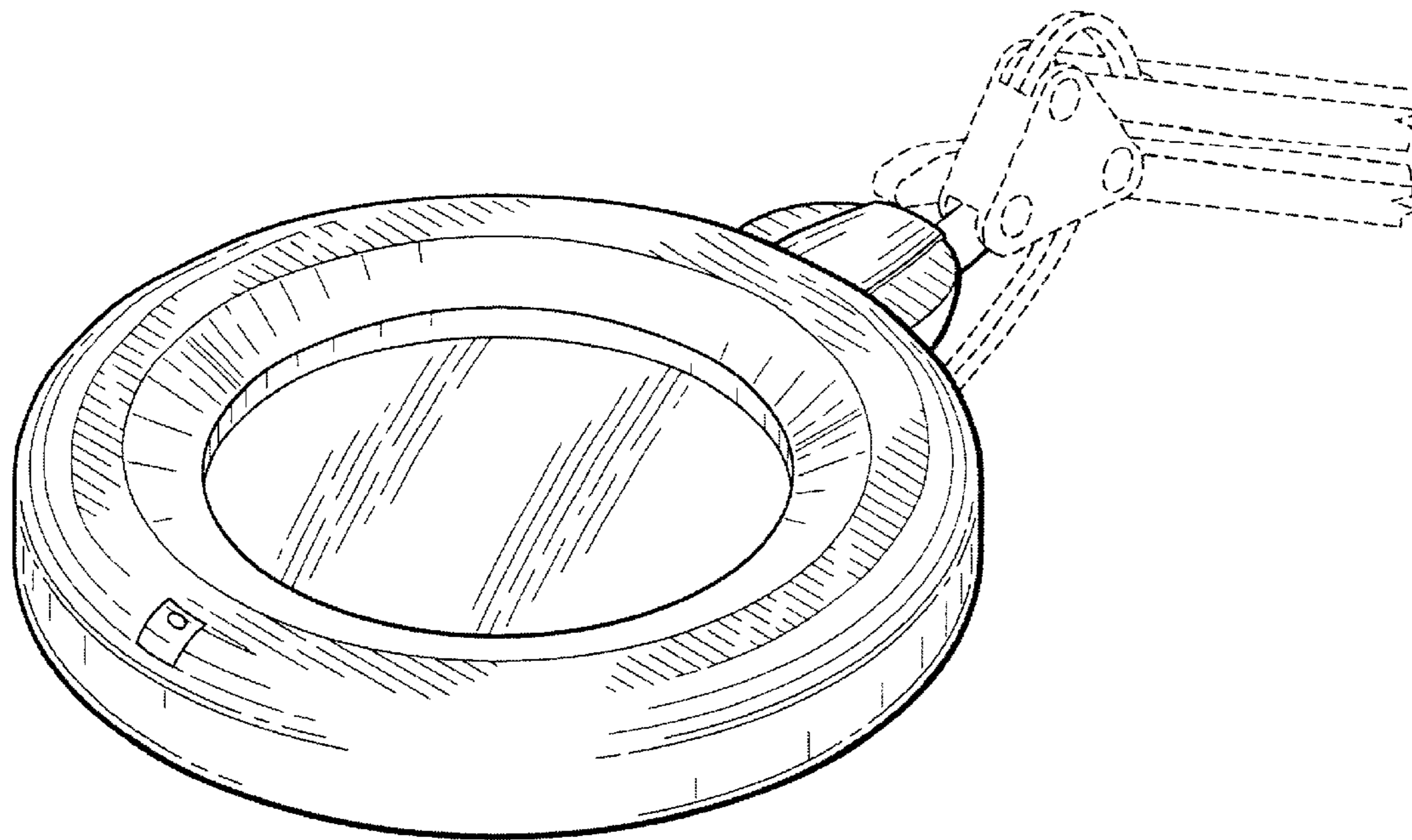
FIG. 5 is top elevation view thereof;

FIG. 6 is a right side elevation view thereof; and,

FIG. 7 is a bottom elevation view thereof.

The broken lines are for illustrative purposes only and forms no part of the claimed design.

**1 Claim, 3 Drawing Sheets**



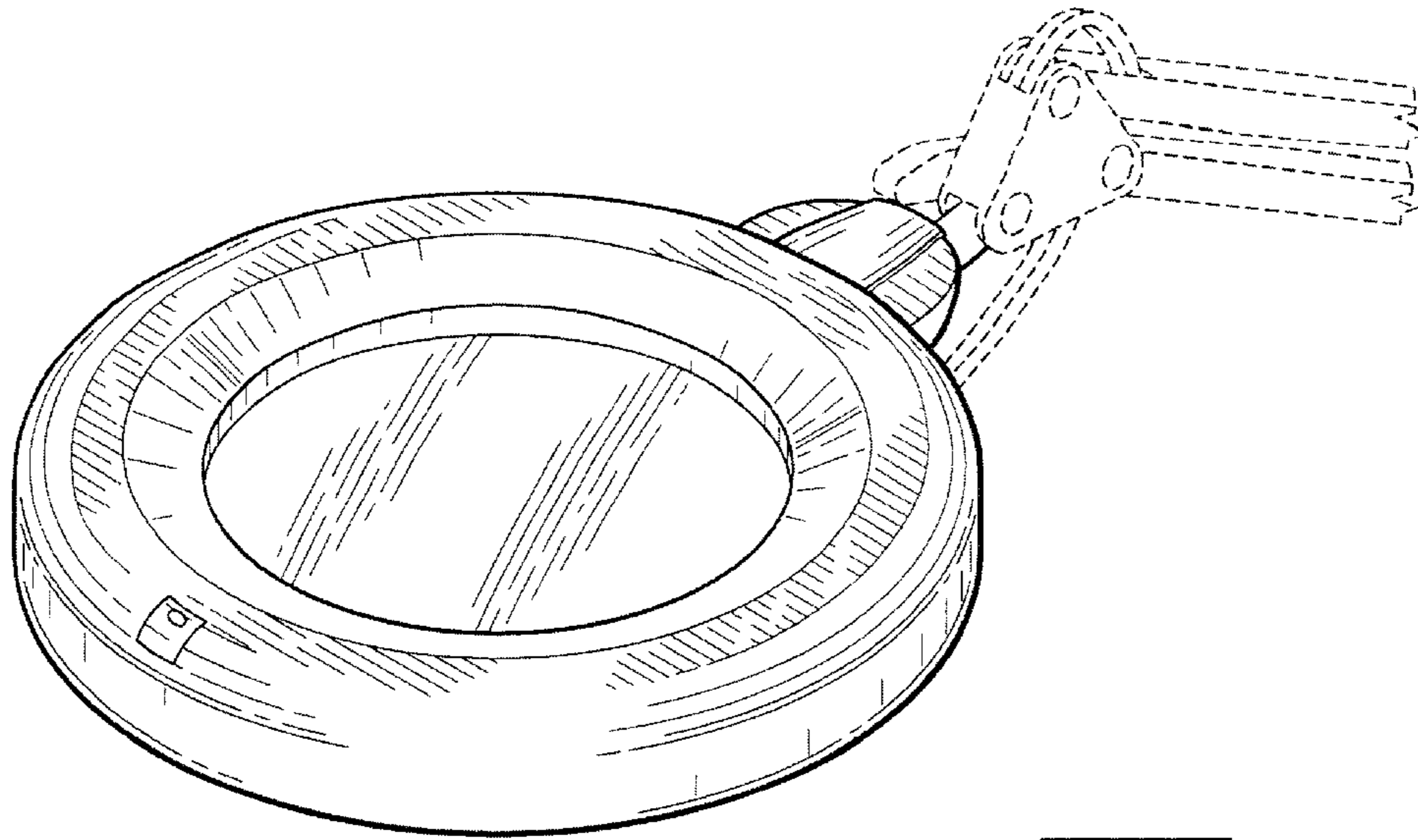


FIG. 1

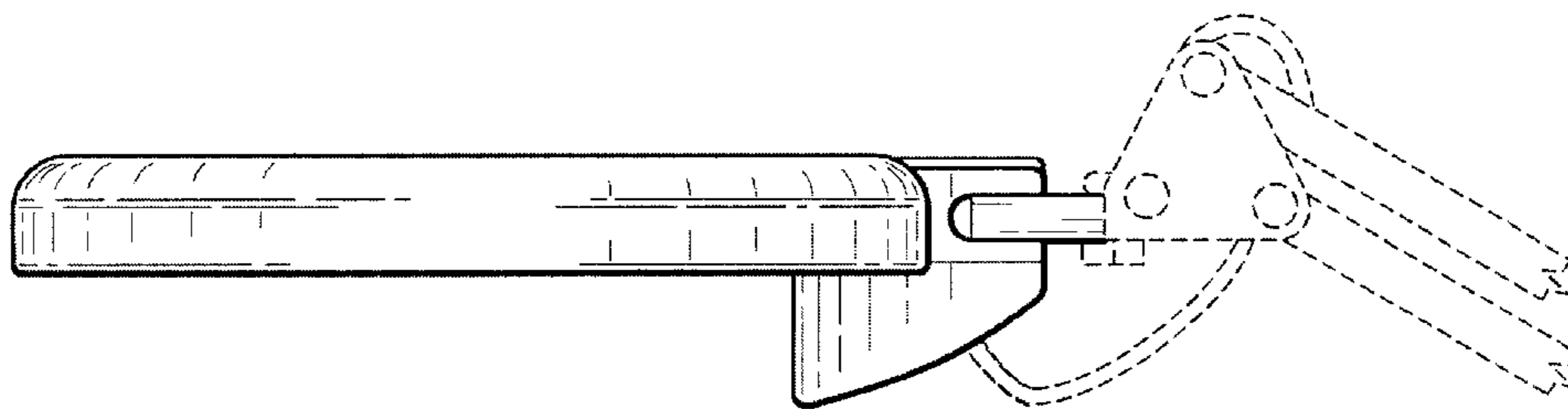


FIG. 2

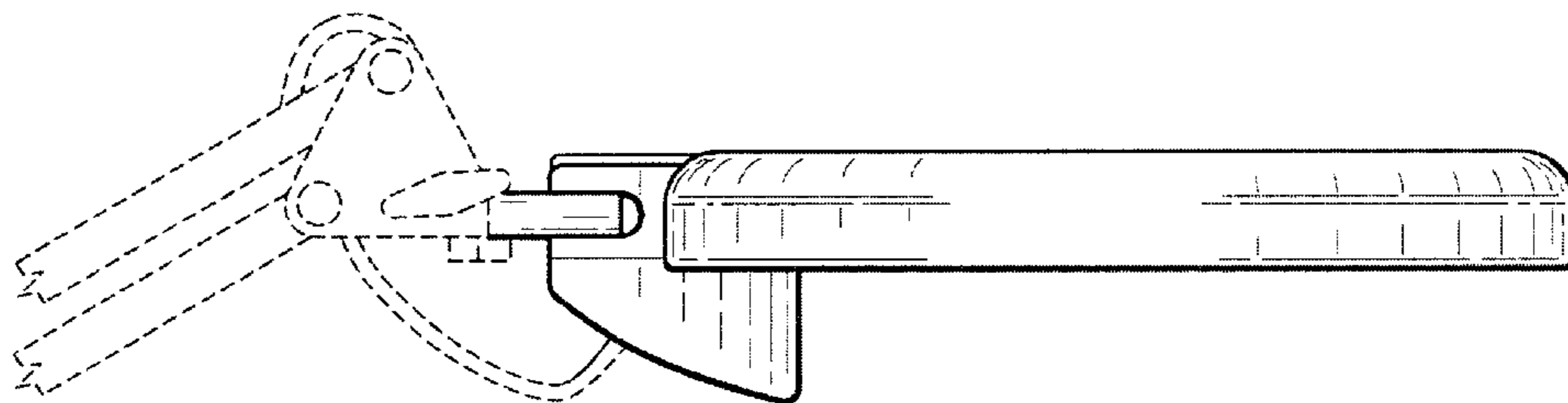


FIG. 3

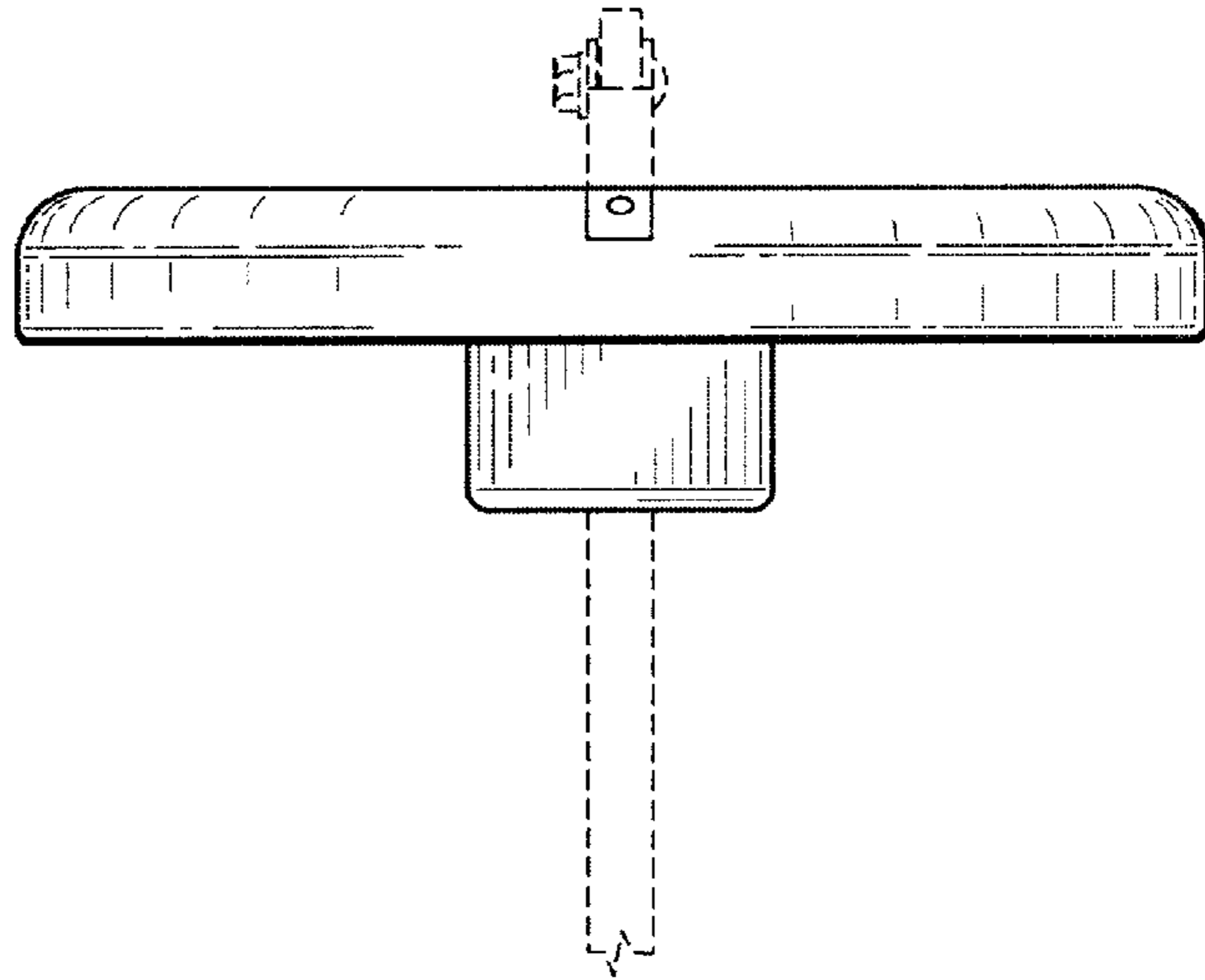


FIG. 4

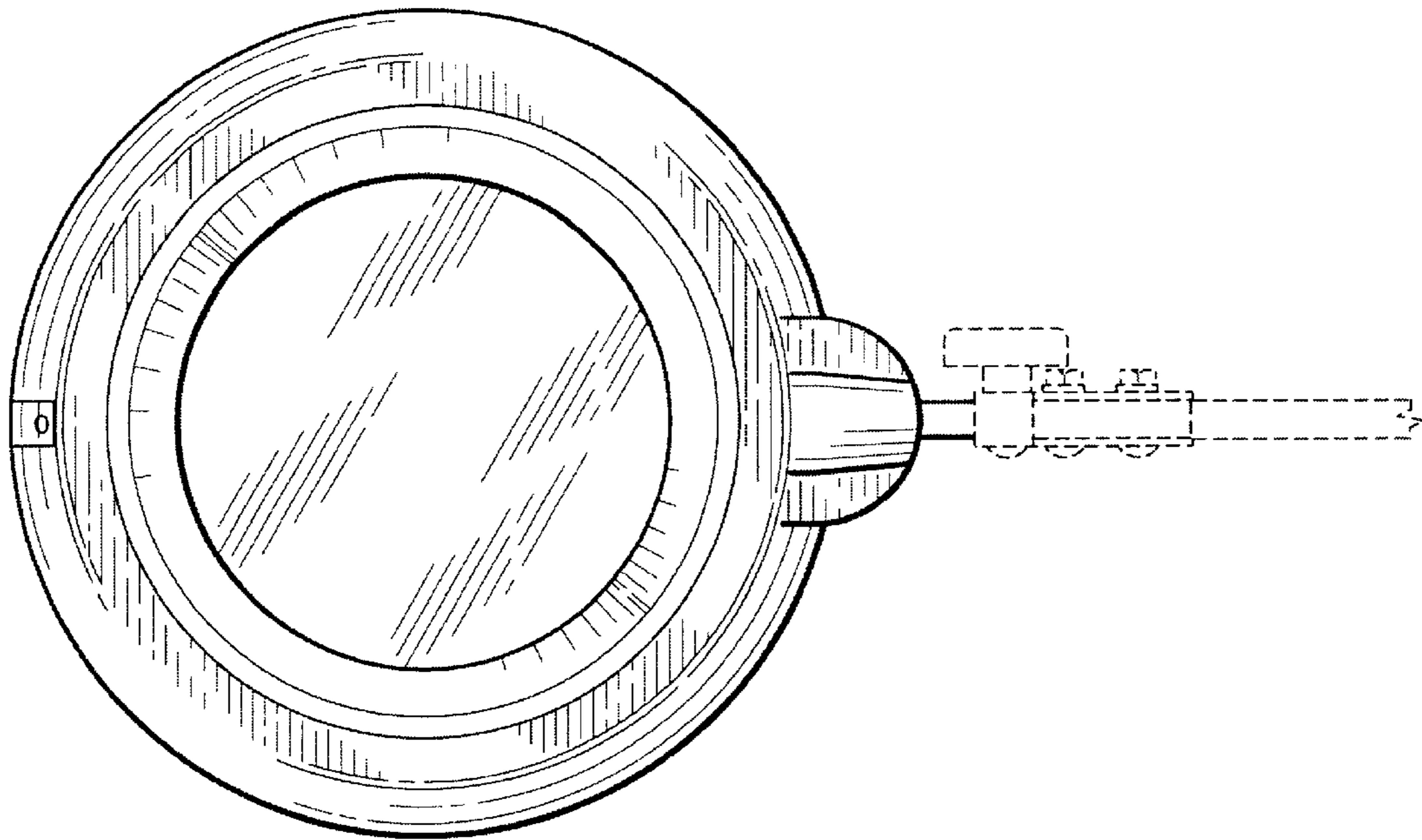


FIG. 6

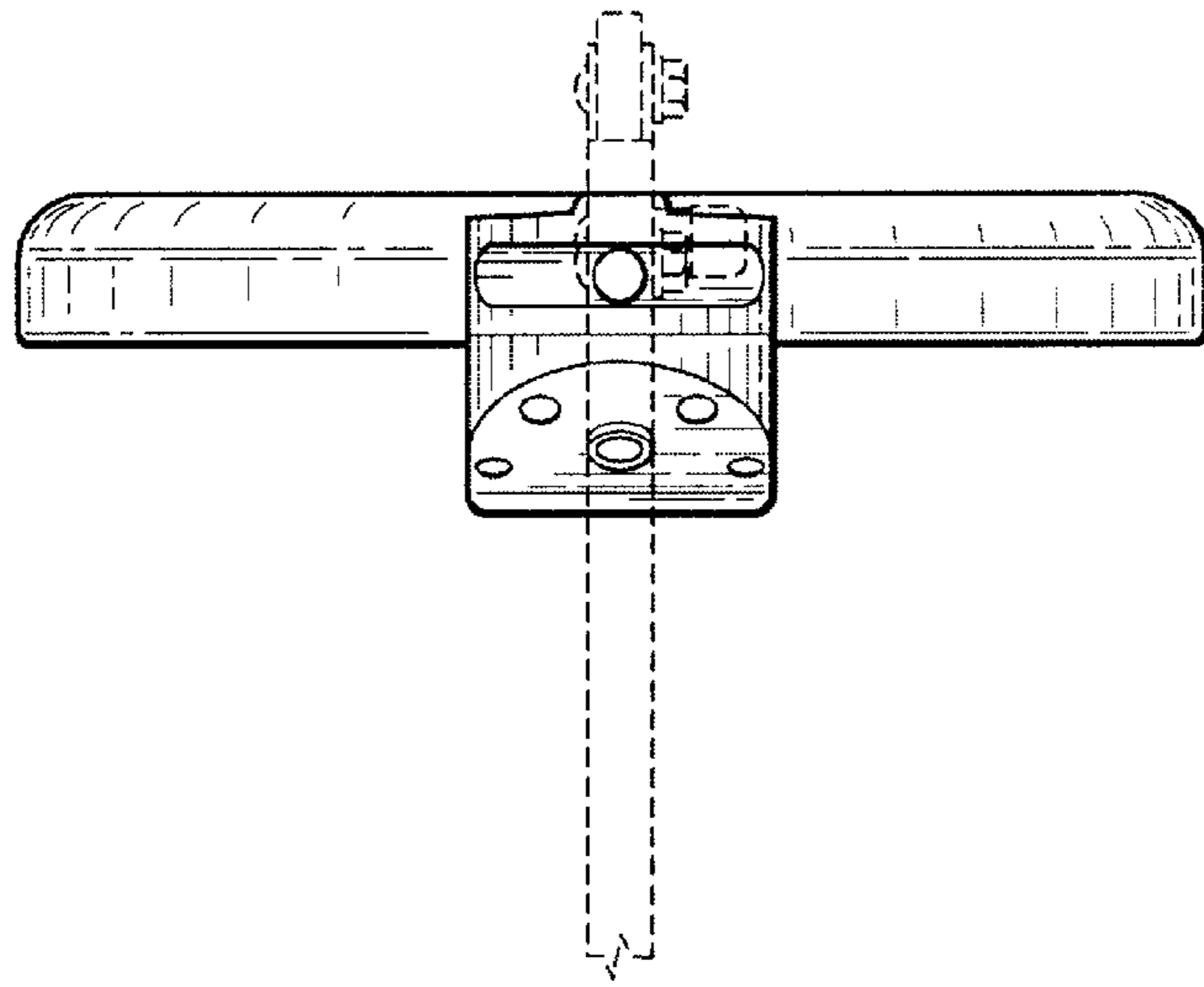


FIG. 5

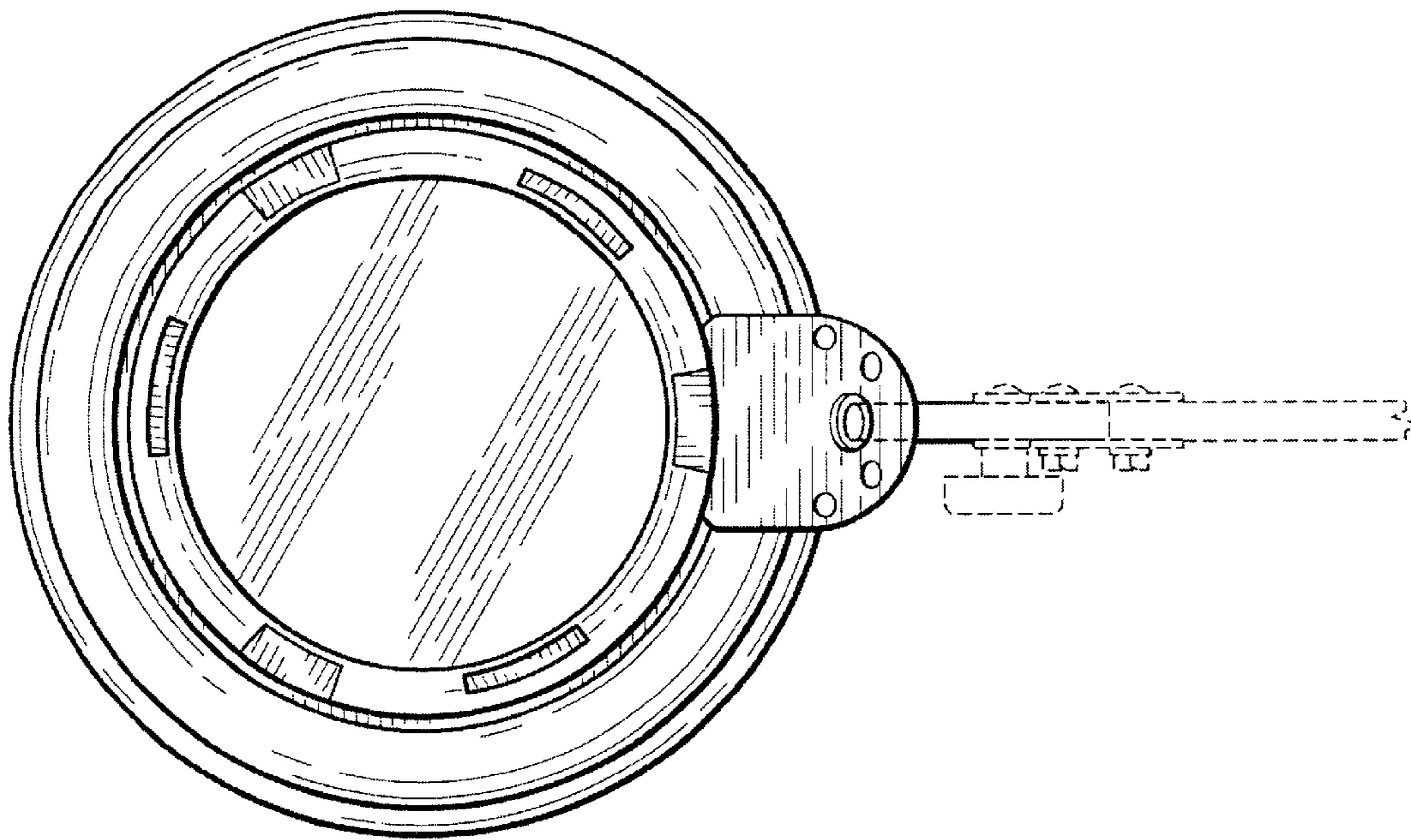


FIG. 7