



US00D526339S

(12) **United States Design Patent**
Shanley

(10) **Patent No.:** **US D526,339 S**

(45) **Date of Patent:** **** Aug. 8, 2006**

(54) **CUTTING INSERT FOR GROOVING OPERATIONS**

2004/0170481 A1 9/2004 Gati

* cited by examiner

(76) Inventor: **Daniel B. Shanley**, 122 Hyde Park Ave., Waukesha, WI (US) 53188

Primary Examiner—Antoine D. Davis

Assistant Examiner—Patricia Palasik

(**) Term: **14 Years**

(74) *Attorney, Agent, or Firm*—Ryan Kromholz & Manion, S.C.

(21) Appl. No.: **29/242,370**

(57) **CLAIM**

(22) Filed: **Nov. 9, 2005**

The ornamental design for a cutting insert for grooving operations, as shown and described.

(51) **LOC (8) Cl.** **15-09**

DESCRIPTION

(52) **U.S. Cl.** **D15/139**

(58) **Field of Classification Search** D15/138,
D15/139; 407/113–117
See application file for complete search history.

FIG. 1 is a perspective view of a cutting insert according to the present invention.

FIG. 2 is a top plan view of the cutting insert of FIG. 1.

FIG. 3 is a left elevation view of the cutting insert of FIG. 1.

FIG. 4 is a front elevation view of the cutting insert of FIG. 1.

FIG. 5 is a right elevation view of the cutting insert of FIG. 1.

FIG. 6 is a perspective view of a second embodiment of a cutting insert according to the present invention.

FIG. 7 is a top plan view of the cutting insert of FIG. 6.

FIG. 8 is a left elevation view of the cutting insert of FIG. 6.

FIG. 9 is a front elevation view of the cutting insert of FIG. 6; and,

FIG. 10 is a right elevation view of the cutting insert of FIG. 6.

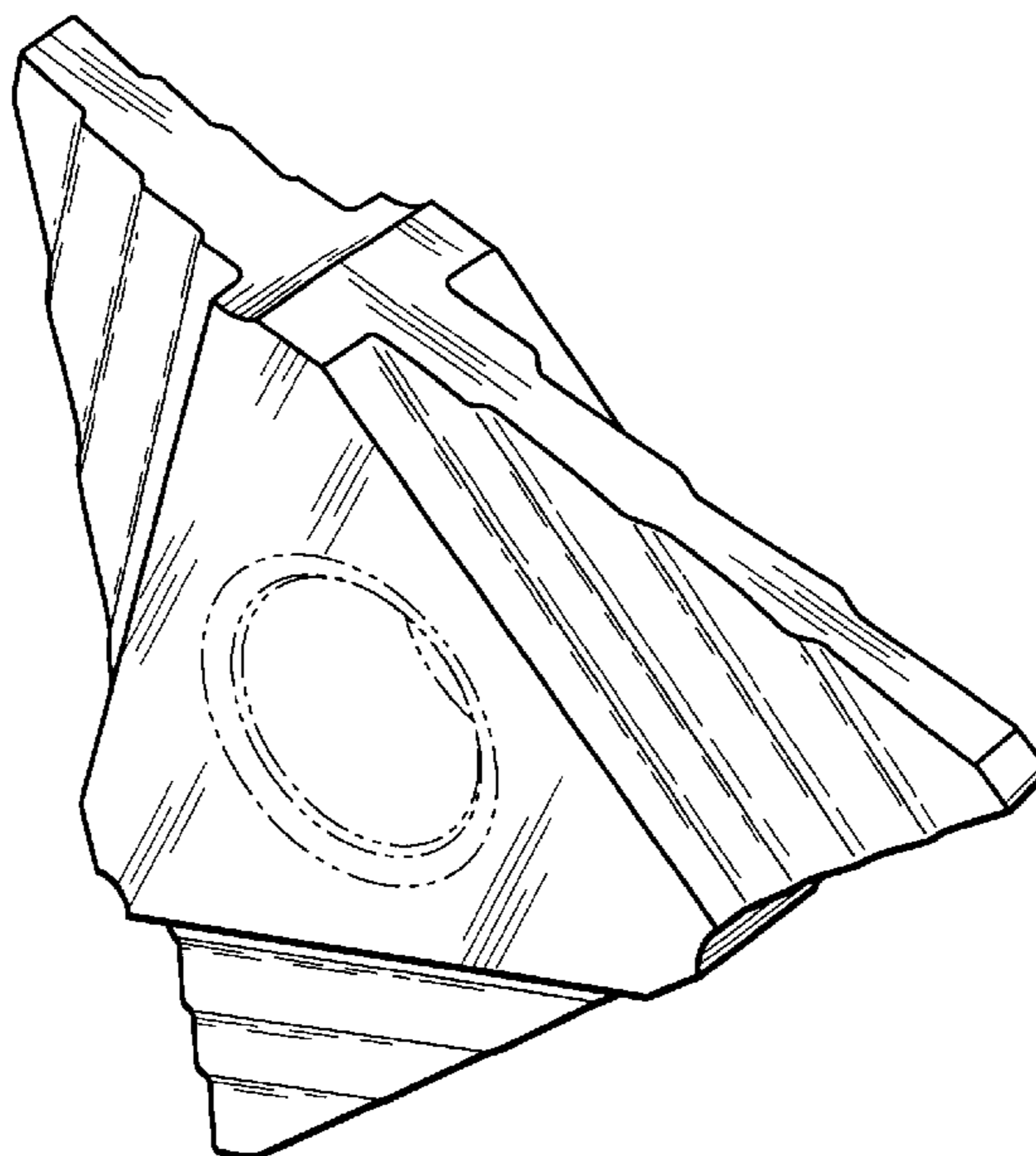
The broken lines shown on the side of the cutting insert are for illustrative purposes only and form no part of the claimed design.

(56) **References Cited**

U.S. PATENT DOCUMENTS

4,318,644	A	*	3/1982	Seidel	407/114
4,674,924	A	*	6/1987	Carlsson et al.	407/114
4,778,311	A		10/1988	Niemi		
4,992,007	A		2/1991	Satran		
4,992,008	A		2/1991	Pano		
5,135,336	A		8/1992	Noguchi et al.		
5,137,396	A		8/1992	Durschinger		
5,423,639	A		6/1995	Wiman		
5,443,334	A		8/1995	Pantzar		
D418,526	S	*	1/2000	Wiman	D15/139
6,086,291	A		7/2000	Hansson et al.		
6,099,209	A		8/2000	Murray et al.		
6,196,770	B1		3/2001	Astrom et al.		
6,293,738	B1	*	9/2001	Hartlohner et al.	407/114
6,447,219	B1		9/2002	Tagtstrom et al.		
6,612,207	B1	*	9/2003	Schiffers	407/117

1 Claim, 2 Drawing Sheets



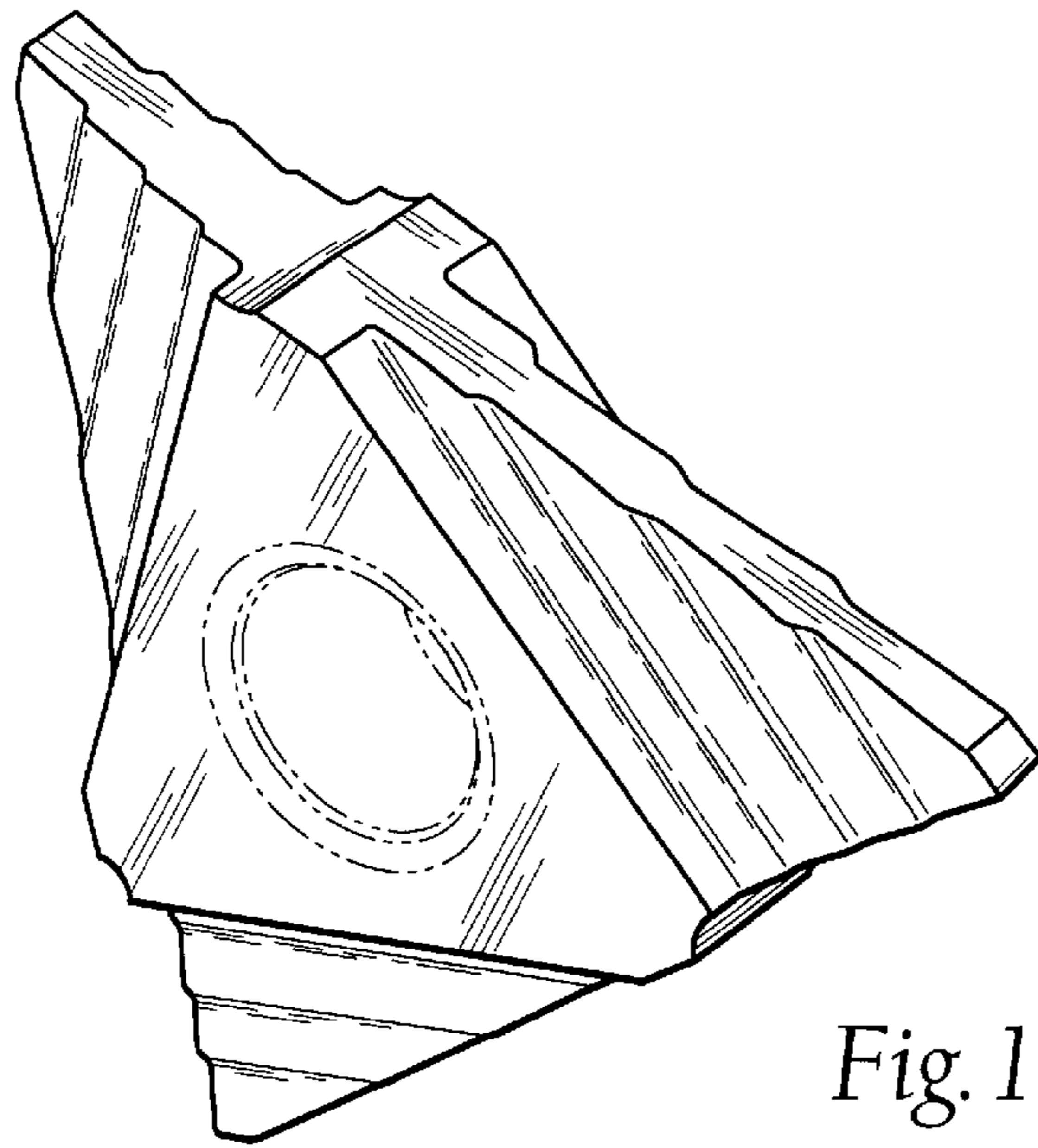


Fig. 1

Fig. 2

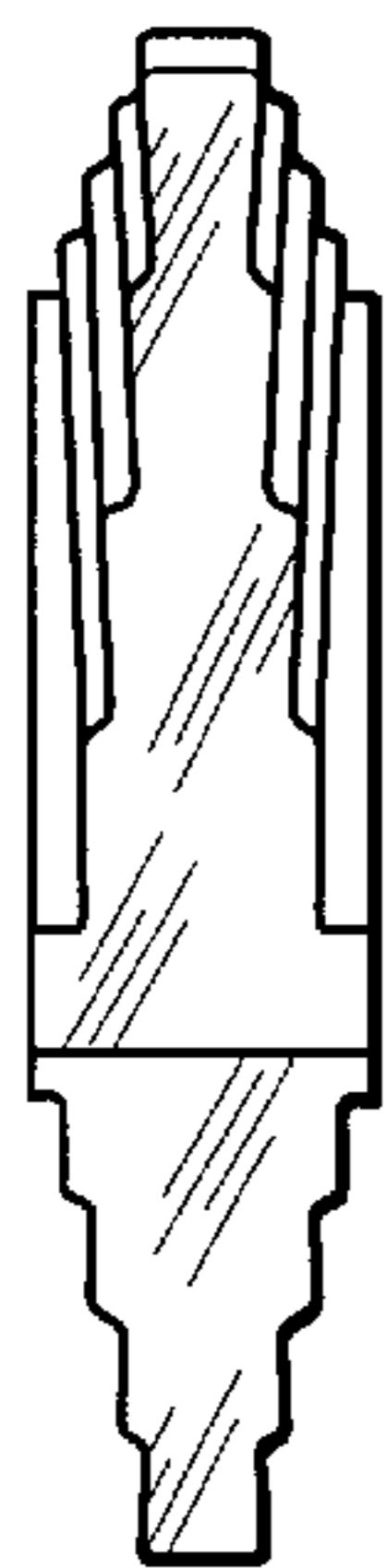
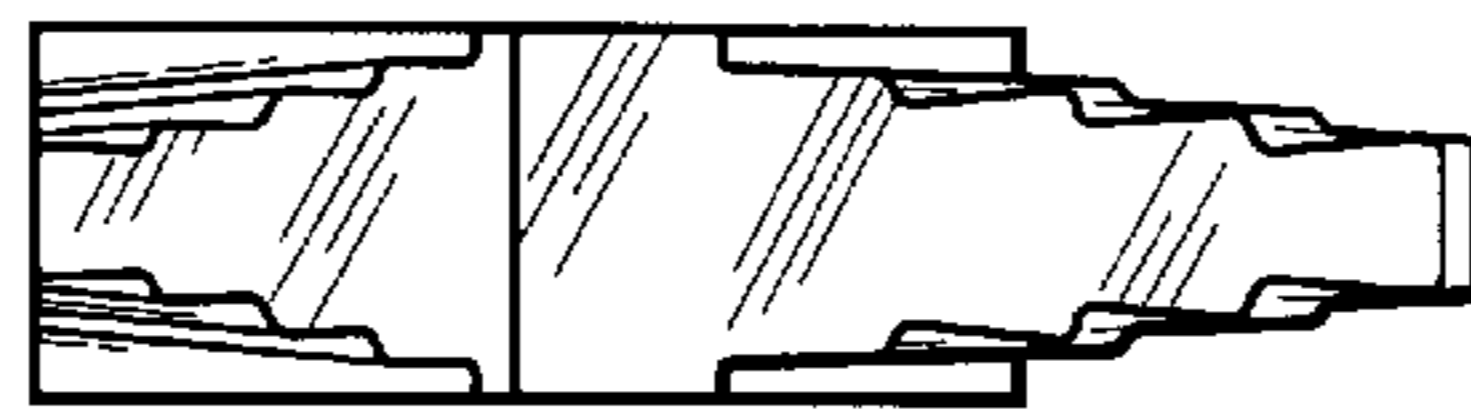


Fig. 3

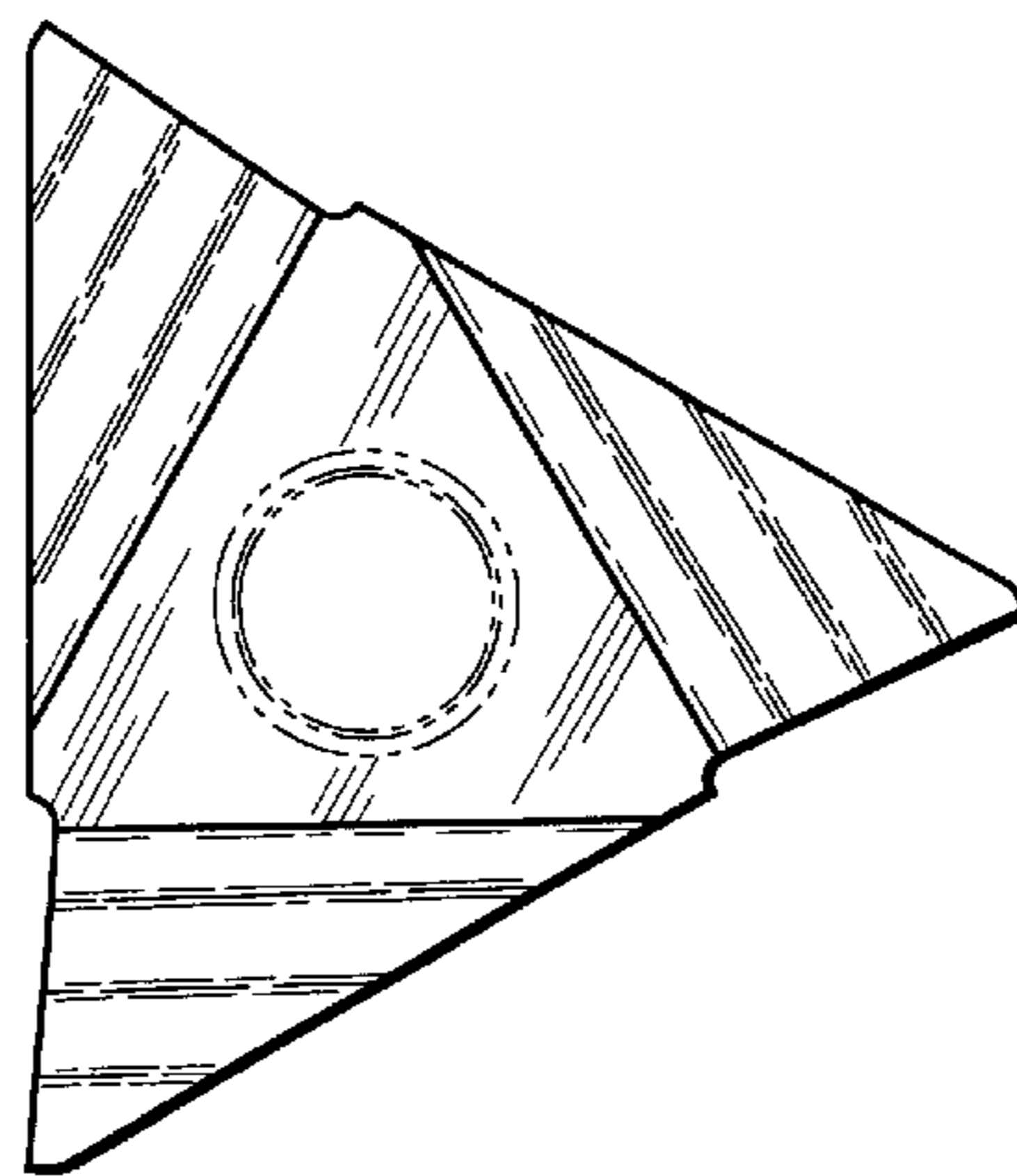


Fig. 4

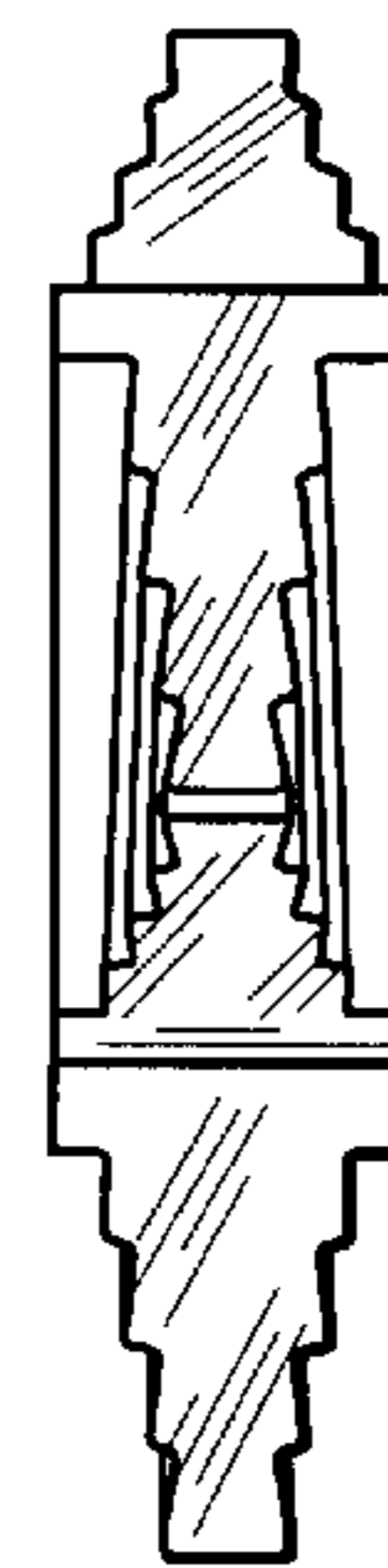


Fig. 5

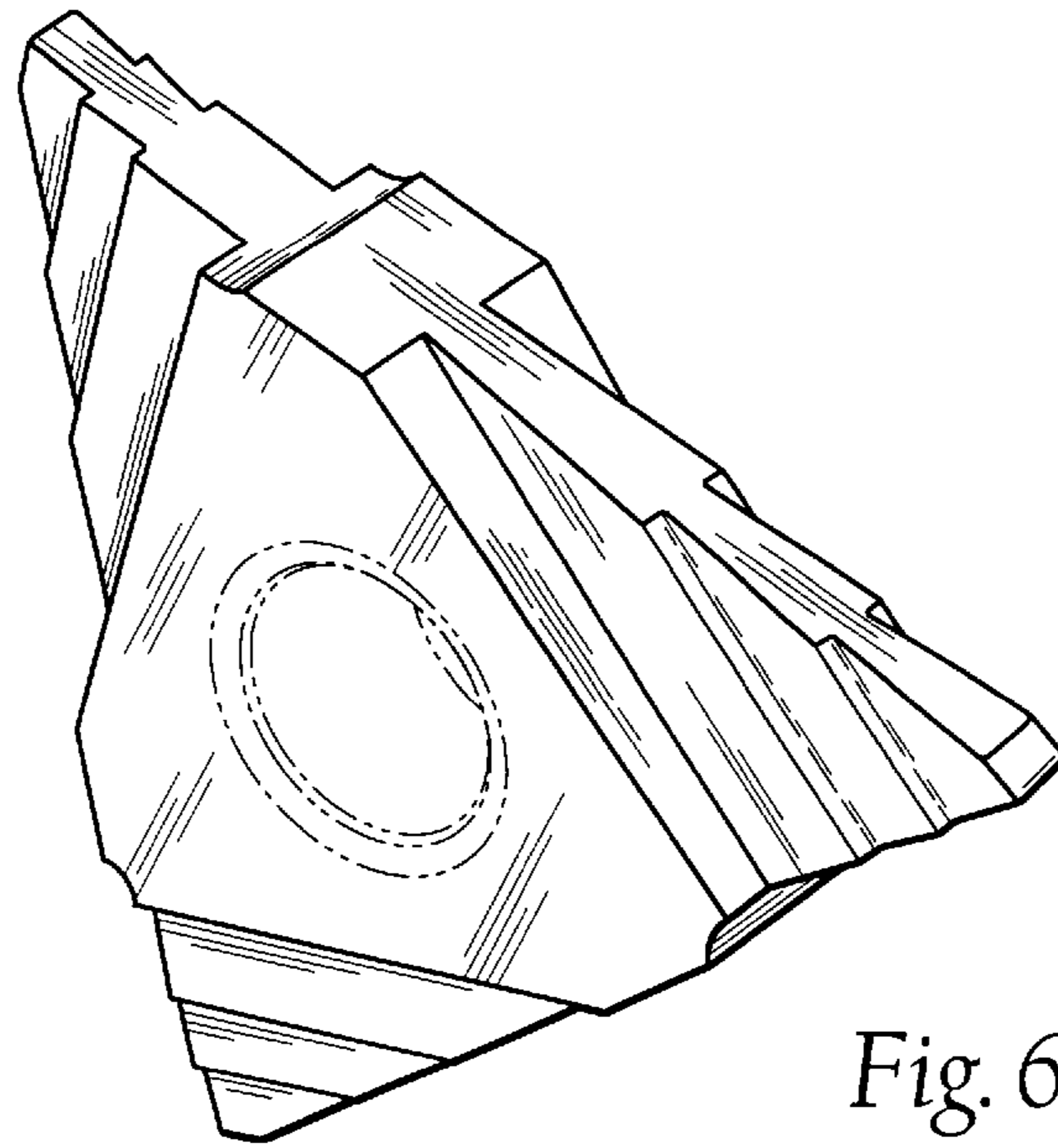


Fig. 6

Fig. 7

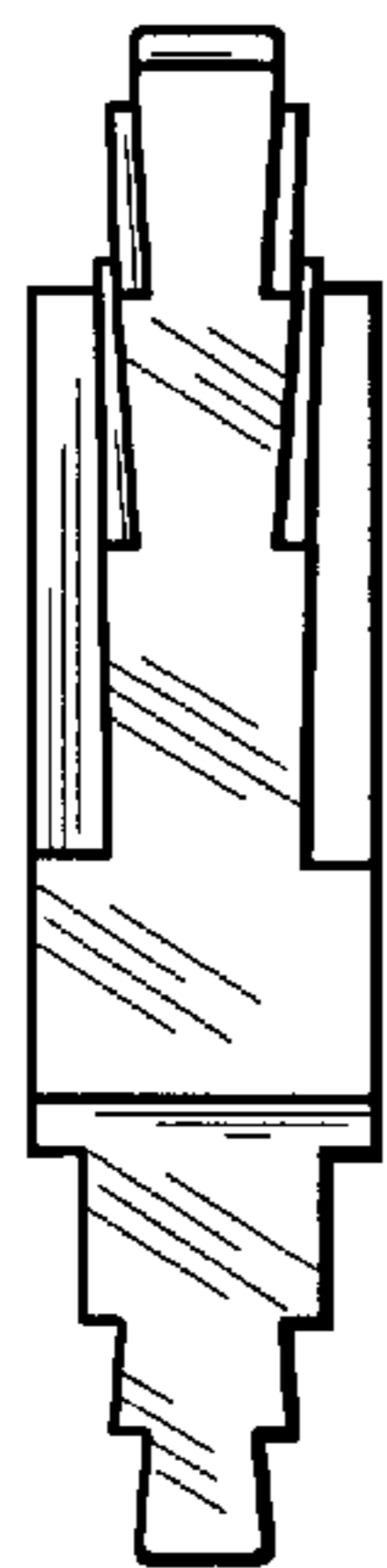
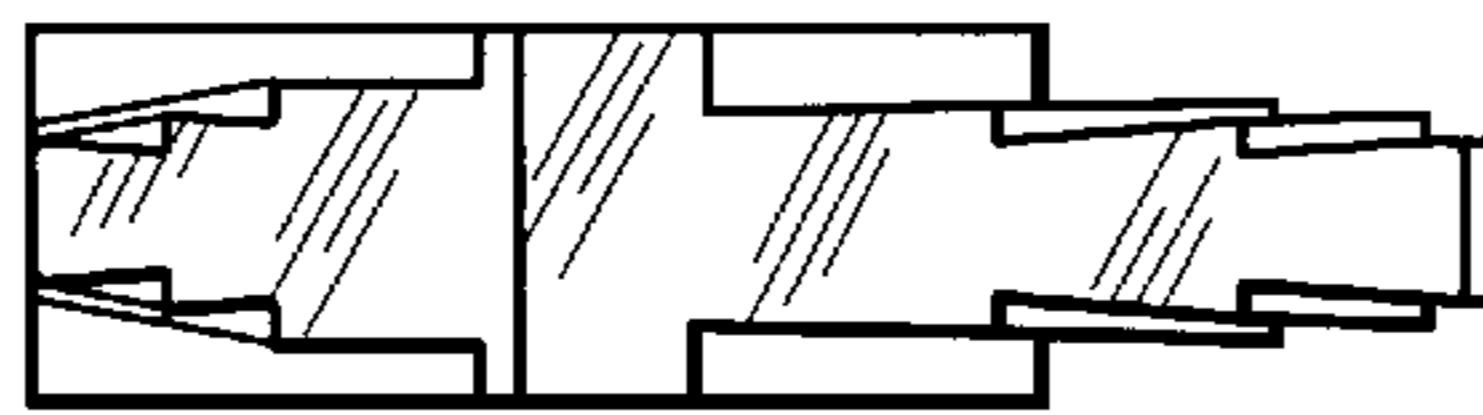


Fig. 8

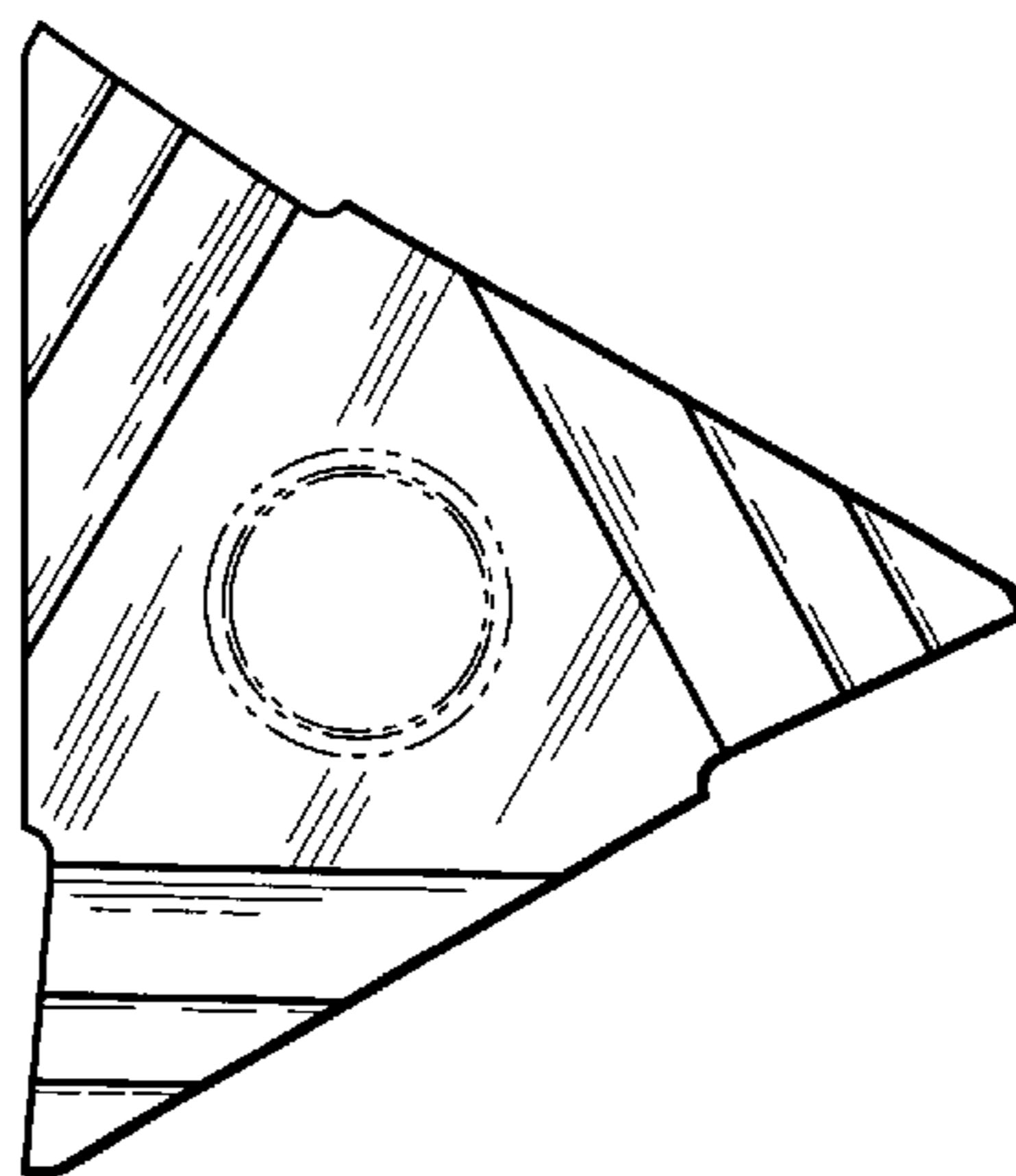


Fig. 9

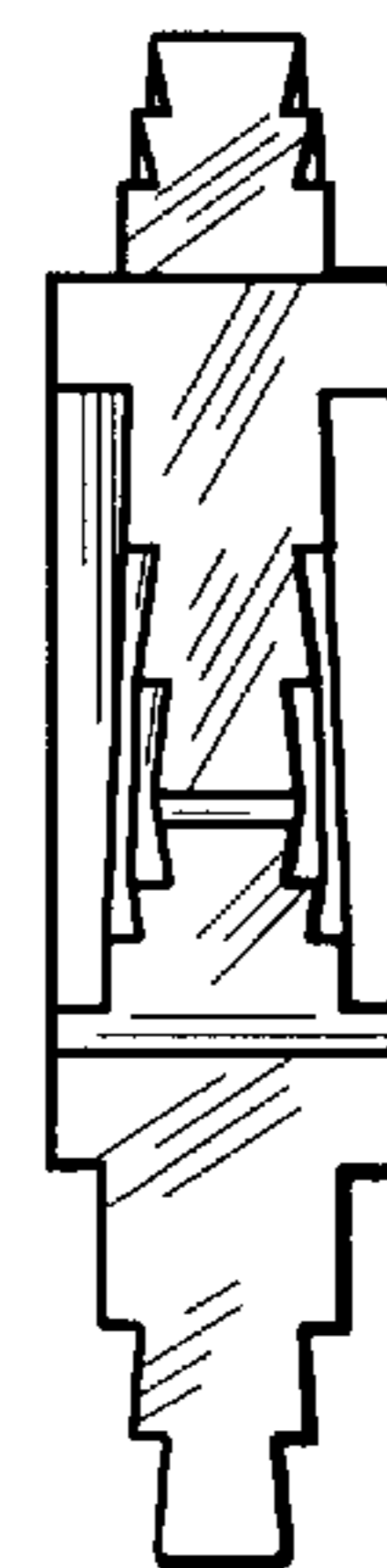


Fig. 10