

US00D526338S

(12) **United States Design Patent**
McDougal et al.

(10) **Patent No.:** **US D526,338 S**

(45) **Date of Patent:** **** Aug. 8, 2006**

(54) **ICE MACHINE**

(75) Inventors: **Gregory S. McDougal**, Manitowoc, WI (US); **Michael J. Rimrodt**, Green Bay, WI (US); **Randall J. Sohlden**, Manitowoc, WI (US); **Curt R. Cayemberg**, Manitowoc, WI (US)

(73) Assignee: **Manitowoc Foodservice Companies, Inc.**, Sparks, NV (US)

(**) Term: **14 Years**

(21) Appl. No.: **29/242,630**

(22) Filed: **Nov. 10, 2005**

(51) **LOC (8) Cl.** **15-07**

(52) **U.S. Cl.** **D15/80**

(58) **Field of Classification Search** D15/79-82,
D15/85-87; D6/329, 396, 432, 445, 449,
D6/559, 440, 448; 62/3.1, 371, 440, 441,
62/467, 531; 312/116, 117, 182, 184, 352,
312/405; D21/752

See application file for complete search history.

(56) **References Cited**

U.S. PATENT DOCUMENTS

D244,684 S * 6/1977 Bartlett et al. D15/81
D248,913 S * 8/1978 Robinson D6/440
D272,304 S * 1/1984 Palermo et al. D6/432
D327,793 S * 7/1992 McGrory D6/448
D342,744 S * 12/1993 Renner D15/81

D358,823 S * 5/1995 Grant D15/83
D369,608 S * 5/1996 Ratchford D15/80
D411,211 S * 6/1999 Higuchi et al. D15/80
D440,987 S * 4/2001 Okamoto et al. D15/81
D496,372 S * 9/2004 Sato et al. D15/81
D501,488 S * 2/2005 Sato et al. D15/81
D501,856 S * 2/2005 Okamoto et al. D15/81

* cited by examiner

Primary Examiner—Mitchell Siegel

Assistant Examiner—Shanda C. Hill

(74) *Attorney, Agent, or Firm*—Brinks Hofer Gilson & Lione; Steven P. Shurtz

(57) **CLAIM**

The ornamental design for an ice machine, as shown and described.

DESCRIPTION

FIG. 1 is a front perspective view of an ice machine showing our new design;

FIG. 2 is a top plan view of the ice machine of FIG. 1;

FIG. 3 is a left elevation view of the ice machine of FIG. 1;

FIG. 4 is a right elevation view of the ice machine of FIG. 1;

FIG. 5 is a front elevation view of the ice machine of FIG. 1; and,

FIG. 6 is a rear elevation view of the ice machine of FIG. 1.

The broken lines shown in the drawing disclosure are for illustrative purposes only and form no part of the claimed design.

1 Claim, 4 Drawing Sheets

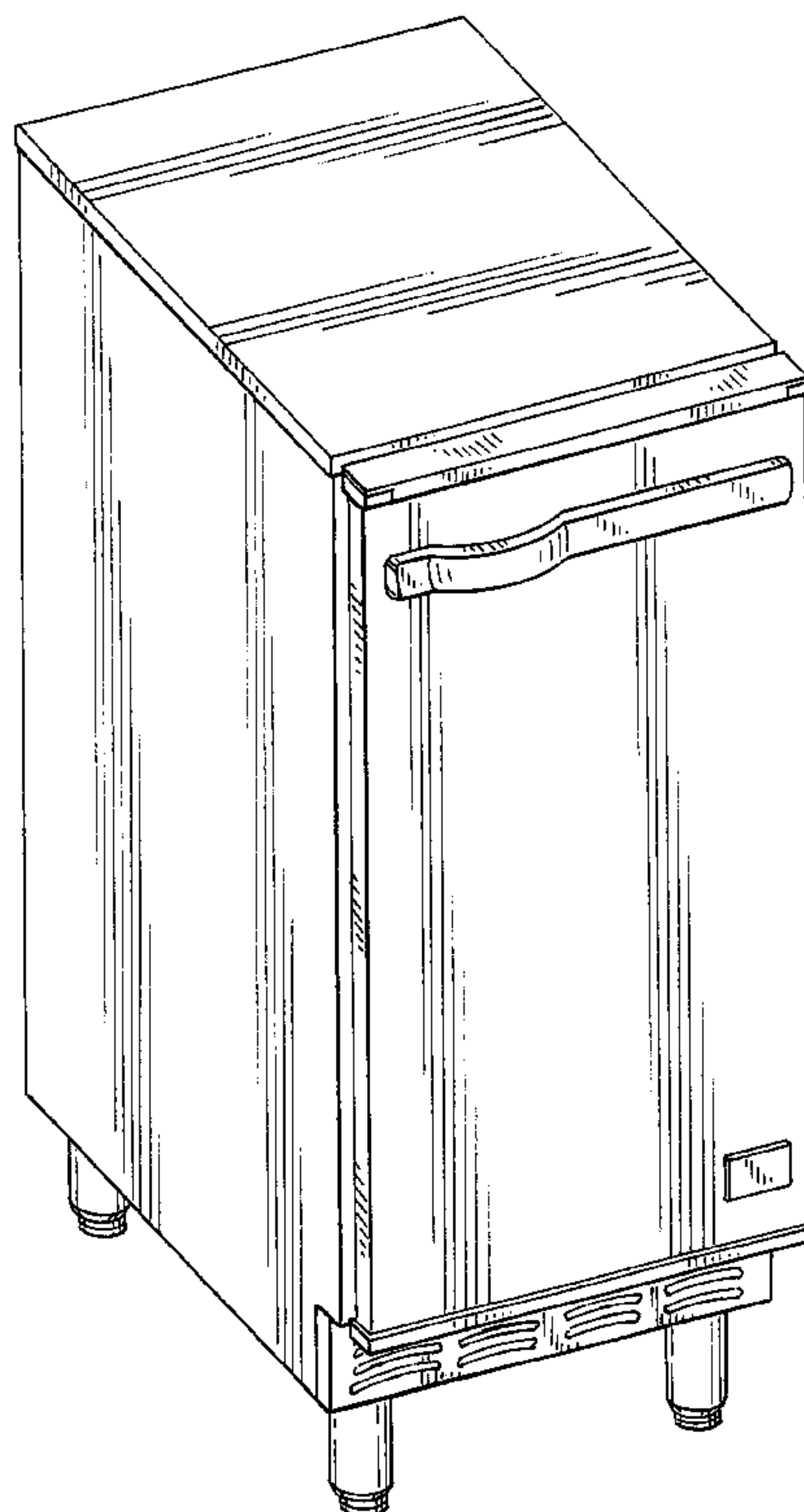


FIG. 1

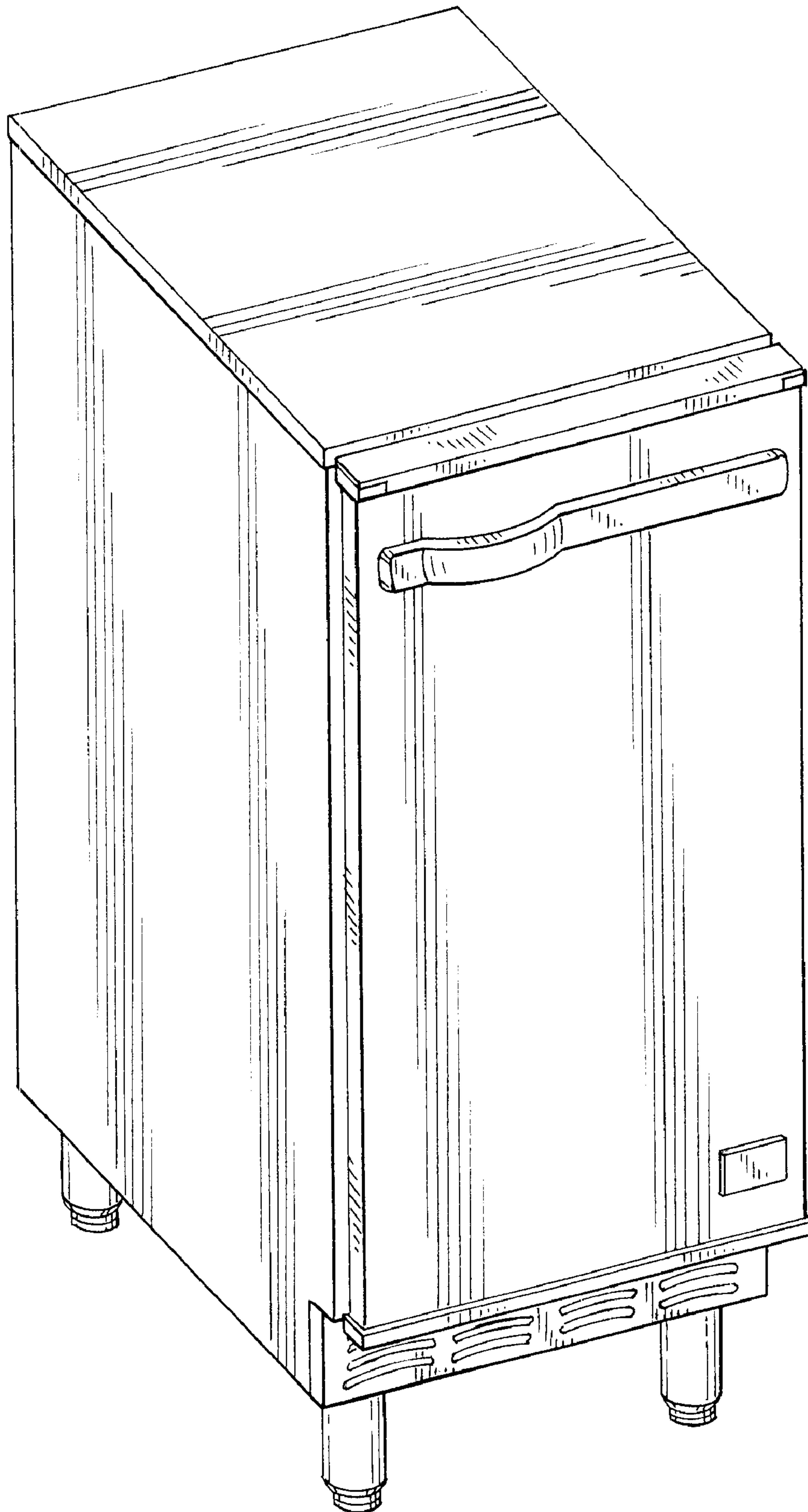


FIG. 2

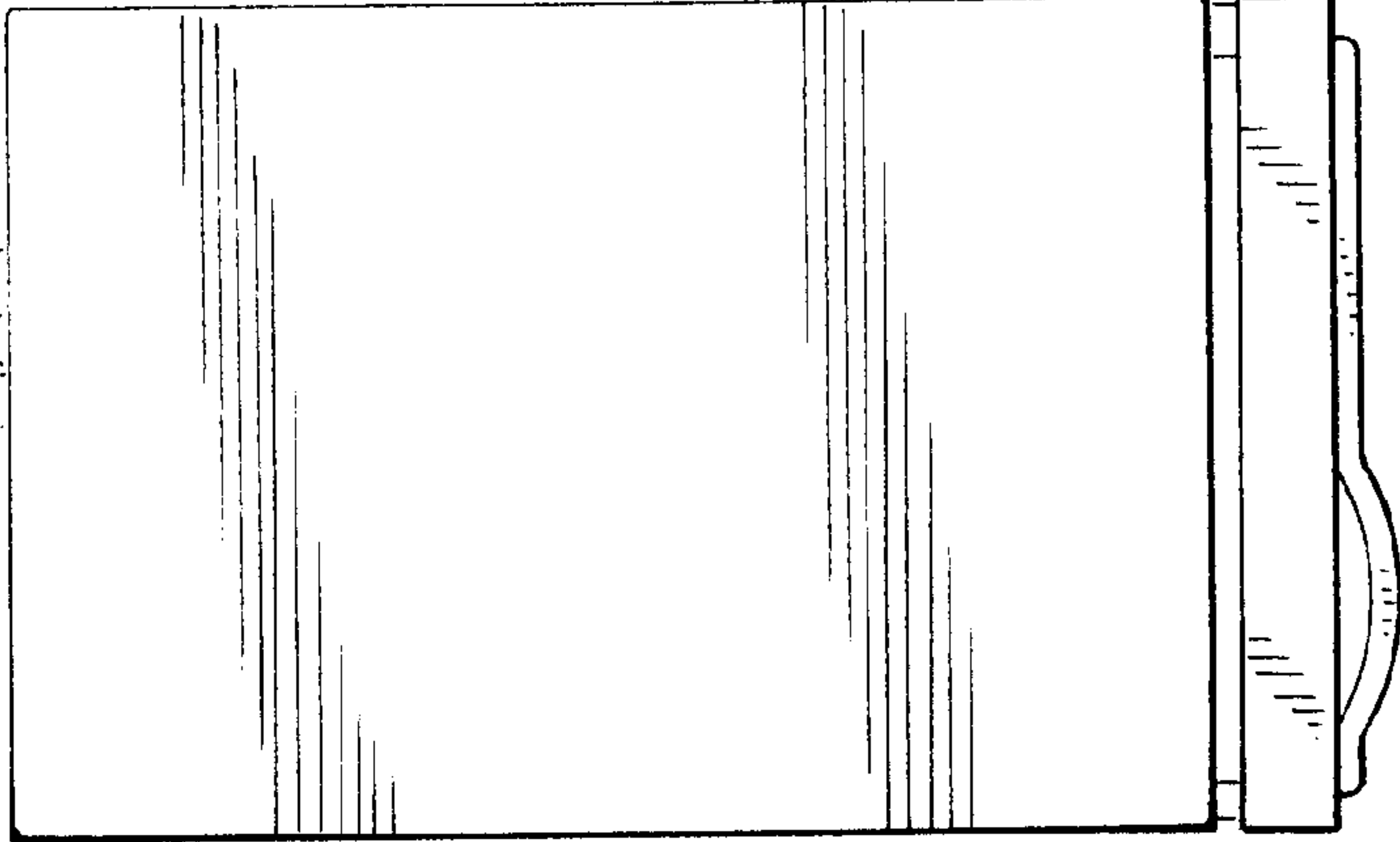


FIG. 3

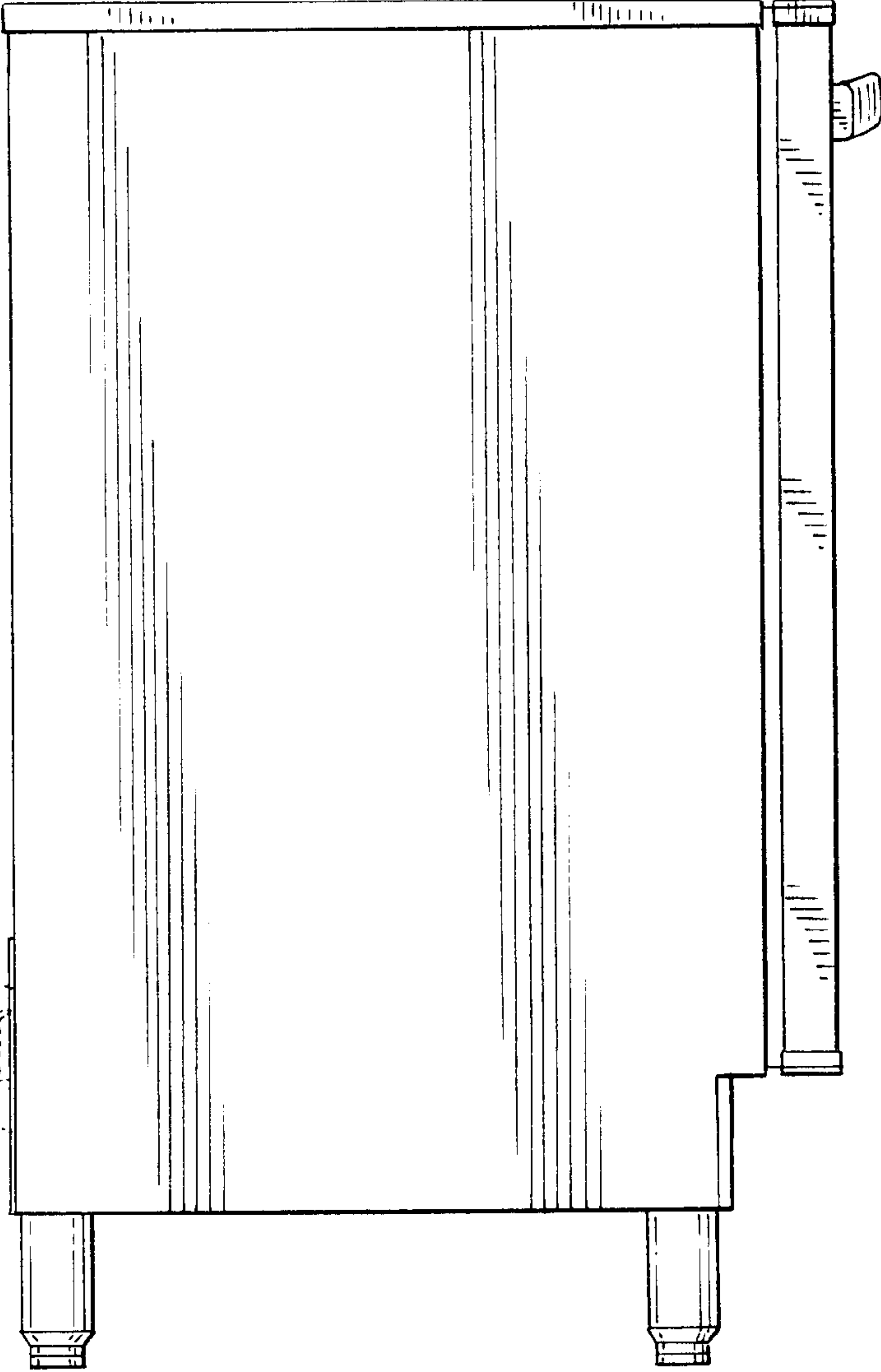


FIG. 4

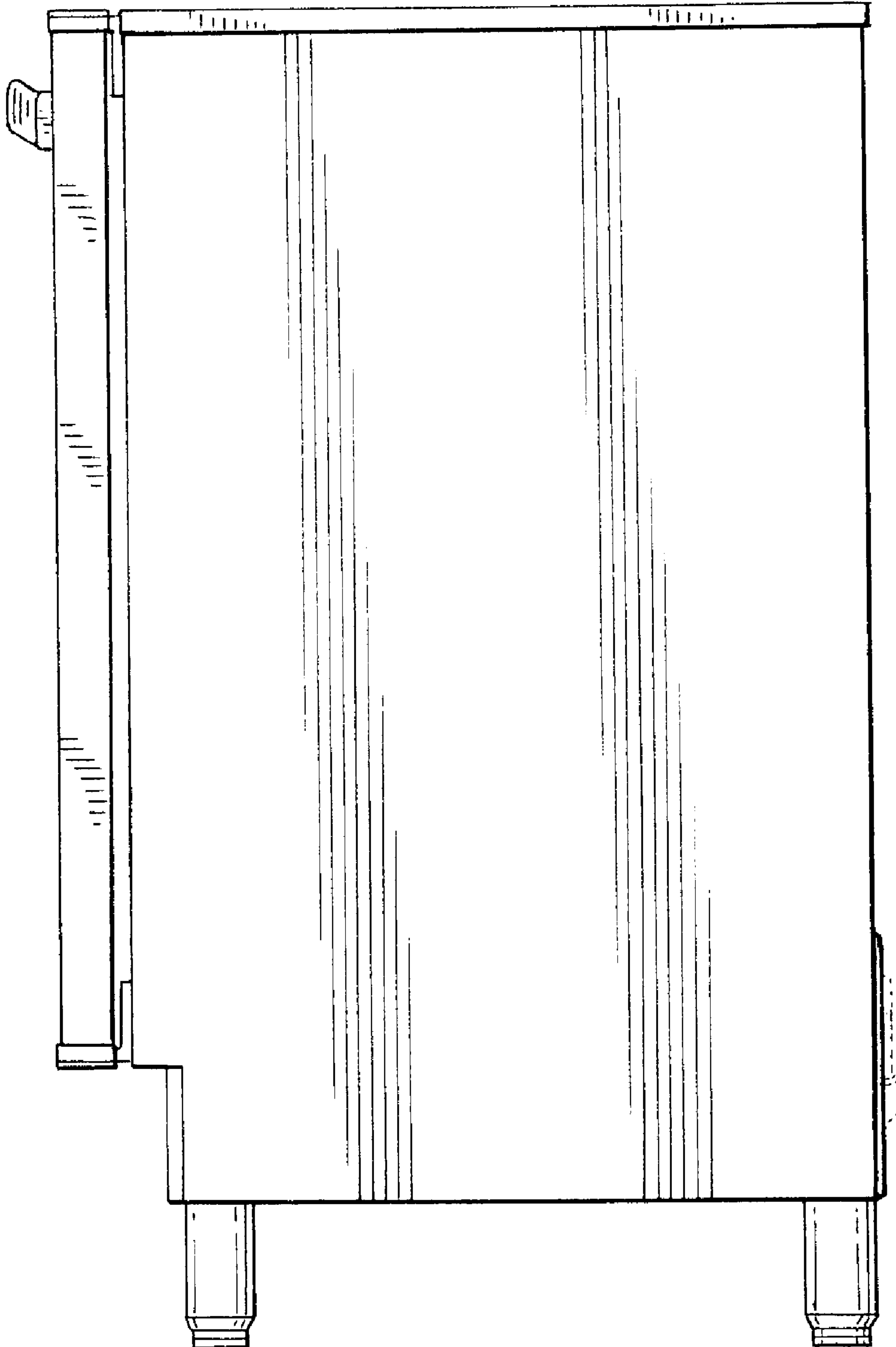


FIG. 5

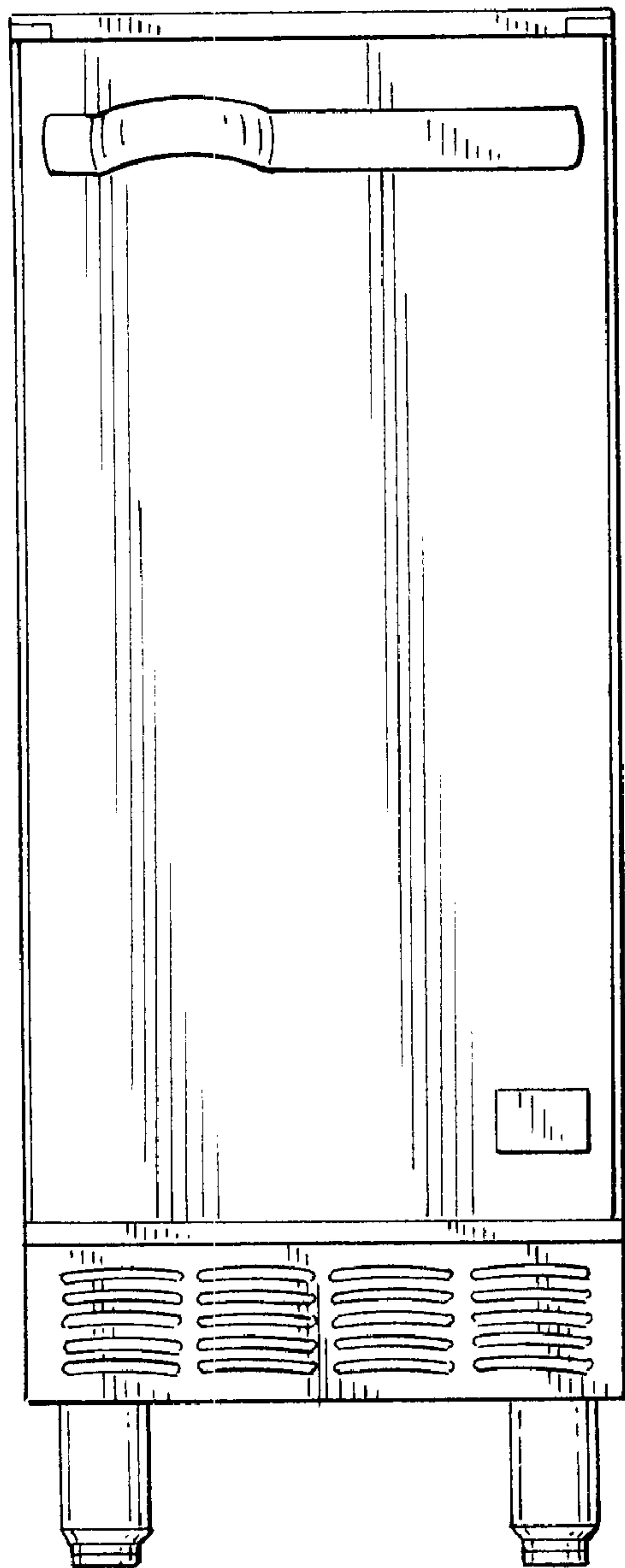


FIG. 6

