



US00D526337S

(12) **United States Design Patent**
Kuroki

(10) **Patent No.:** **US D526,337 S**

(45) **Date of Patent:** **** Aug. 8, 2006**

(54) **SEWING MACHINE**

(75) **Inventor:** **Nobufusa Kuroki, Tokyo (JP)**

(73) **Assignee:** **Janome Sewing Machine Co., Ltd., Tokyo (JP)**

(**) **Term:** **14 Years**

(21) **Appl. No.:** **29/242,421**

(22) **Filed:** **Nov. 10, 2005**

(30) **Foreign Application Priority Data**

Jun. 10, 2005 (JP) D2005-016833

(51) **LOC (8) Cl.** **15-06**

(52) **U.S. Cl.** **D15/70**

(58) **Field of Classification Search** D15/66-70;
112/2, 63, 78, 154, 163, 217.1, 217.2, 217.3,
112/217.4, 258-261, 444

See application file for complete search history.

(56) **References Cited**

U.S. PATENT DOCUMENTS

- D403,333 S * 12/1998 Takada et al. D15/70
- D430,886 S * 9/2000 Yamamoto D15/69
- D450,332 S * 11/2001 Kuroki et al. D15/69
- D450,720 S * 11/2001 Kuroki D15/69

- D459,369 S * 6/2002 Yamamoto et al. D15/69
- D472,562 S * 4/2003 Yamamoto et al. D15/69
- D474,482 S * 5/2003 Melzer-Muller D15/69
- D492,704 S * 7/2004 Kuroki D15/69

* cited by examiner

Primary Examiner—Mitchell Siegel

Assistant Examiner—Shanda C. Hill

(74) *Attorney, Agent, or Firm*—McGinn IP Law Group, PLLC

(57) **CLAIM**

The ornamental design for a sewing machine, as shown and described.

DESCRIPTION

FIG. 1 is a perspective view of a sewing machine showing my design;

FIG. 2 is a perspective view of FIG. 1 with the worktable removed;

FIG. 3 is a front elevational view of FIG. 1;

FIG. 4 is a rear elevational view thereof;

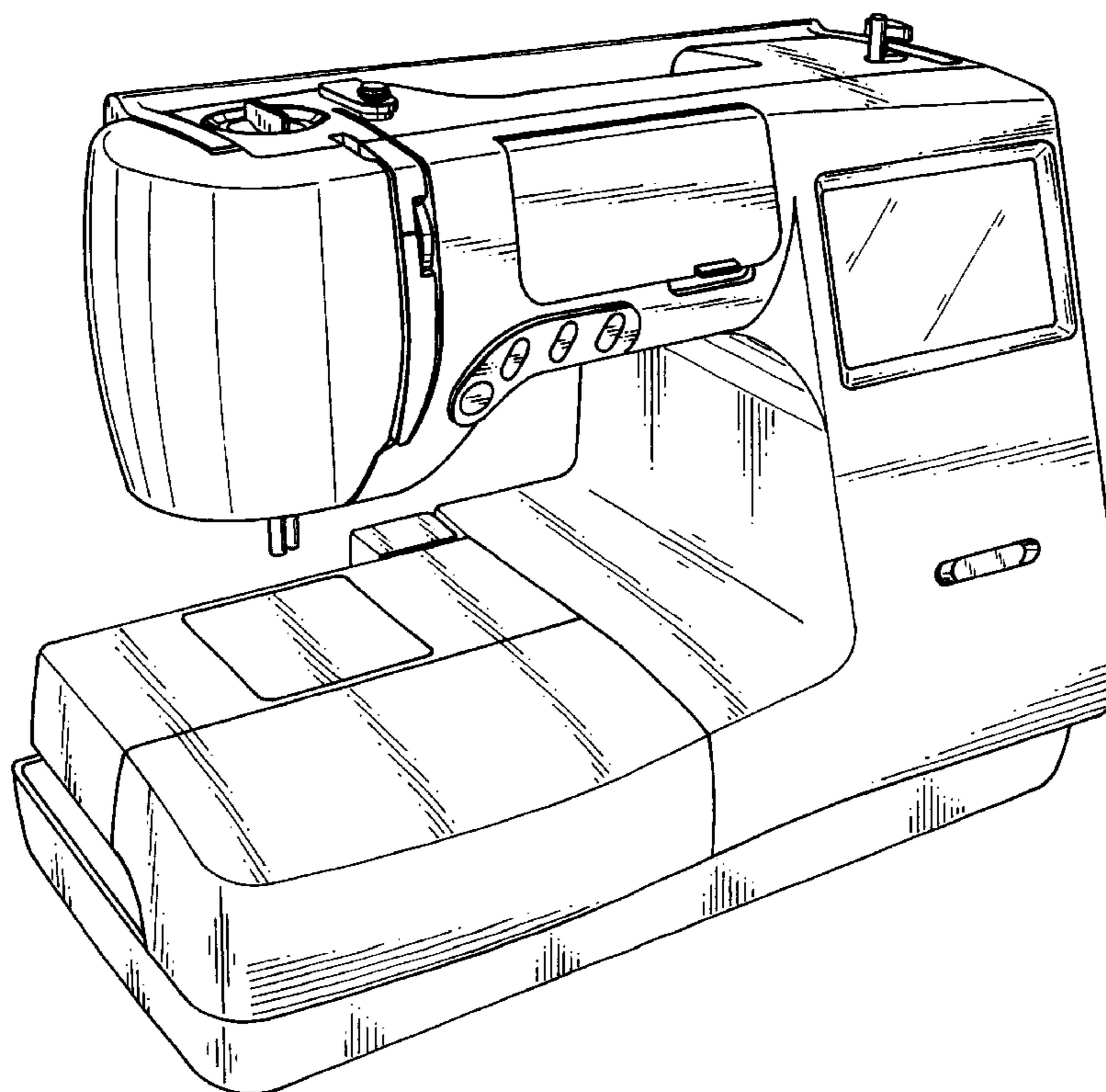
FIG. 5 is a left side elevational view thereof;

FIG. 6 is a right side elevational view thereof;

FIG. 7 is a top plan view thereof; and,

FIG. 8 is a bottom plan view thereof.

1 Claim, 8 Drawing Sheets



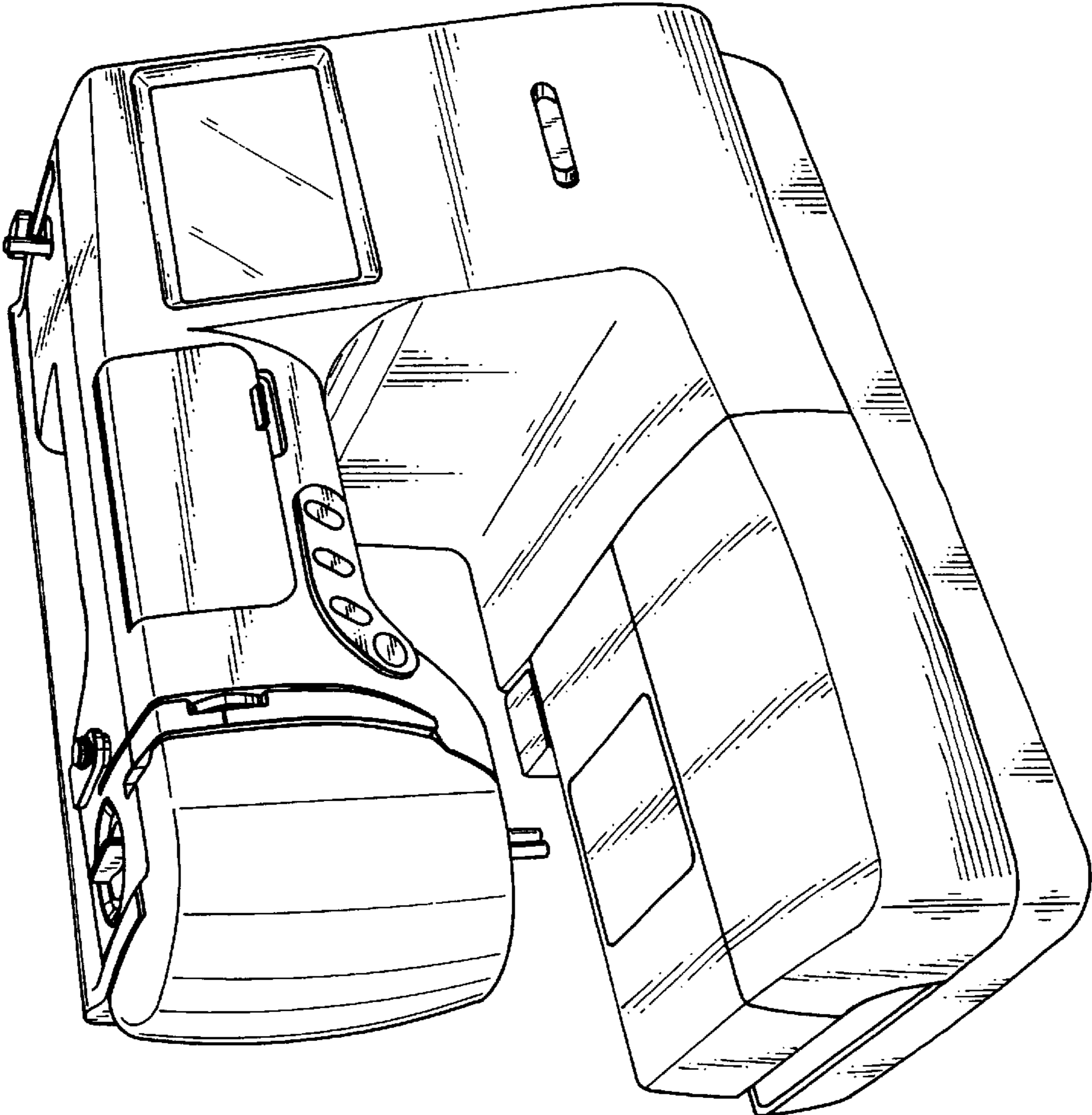


FIGURE 1

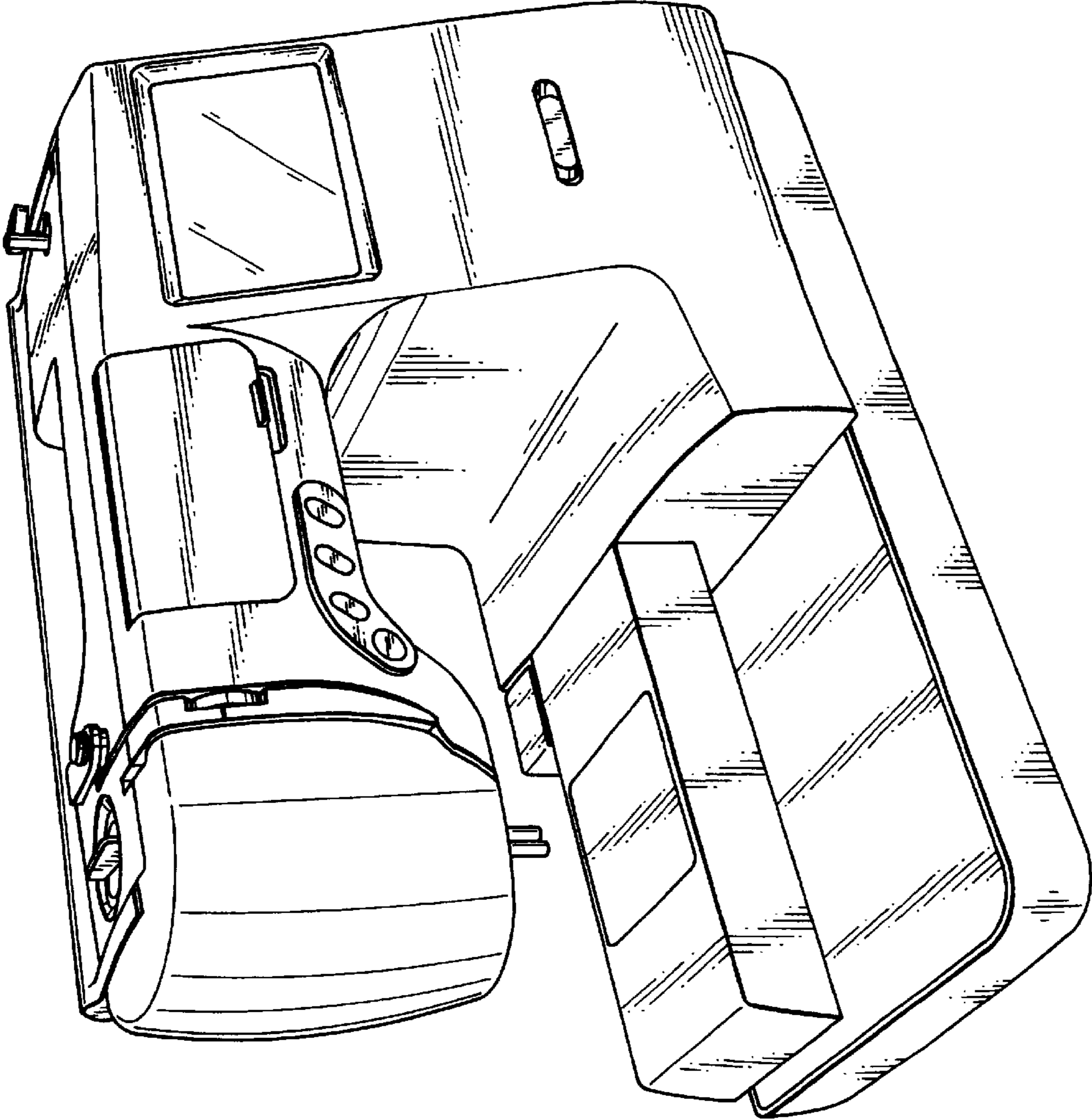
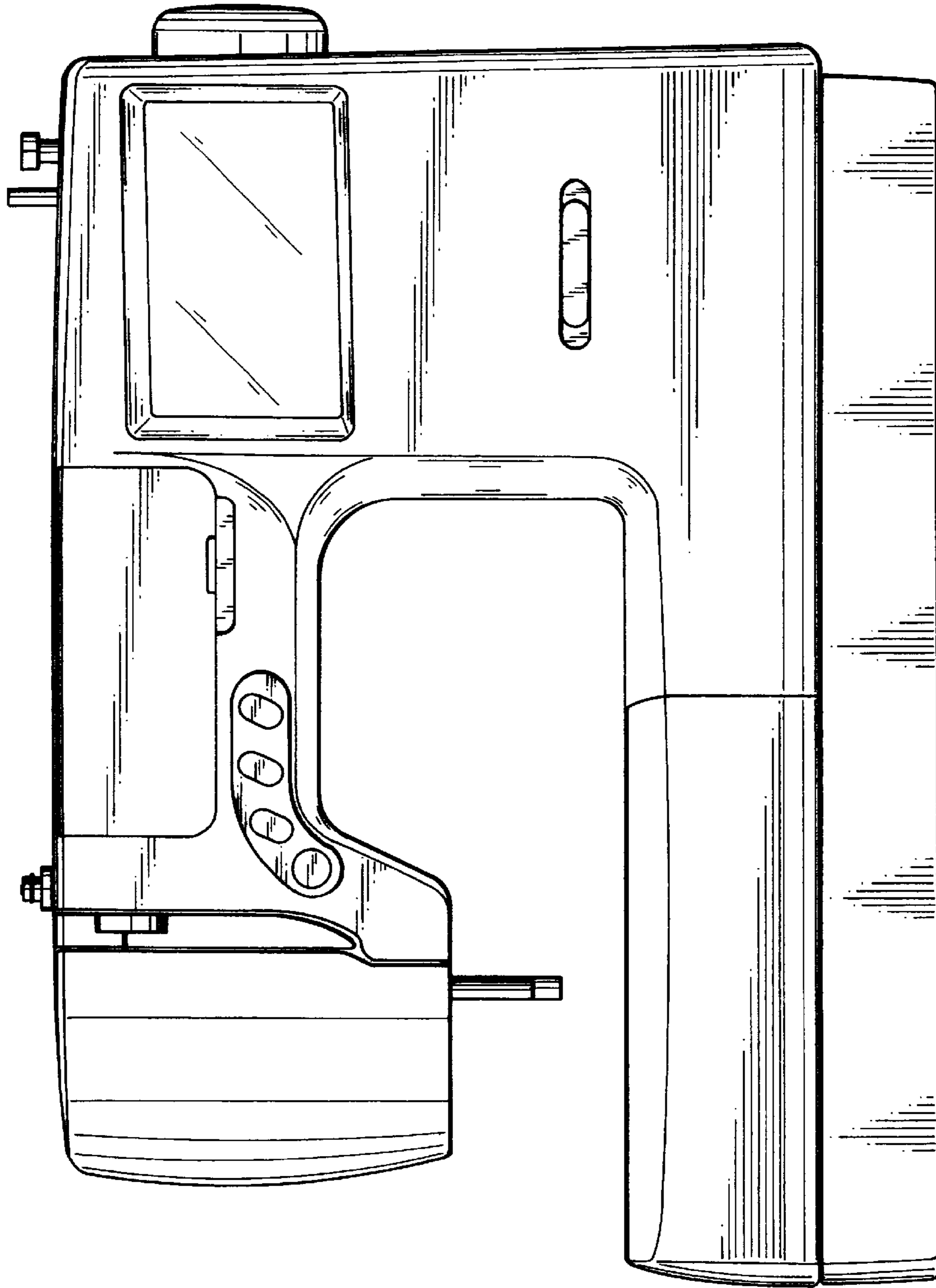


FIGURE 2

FIGURE 3



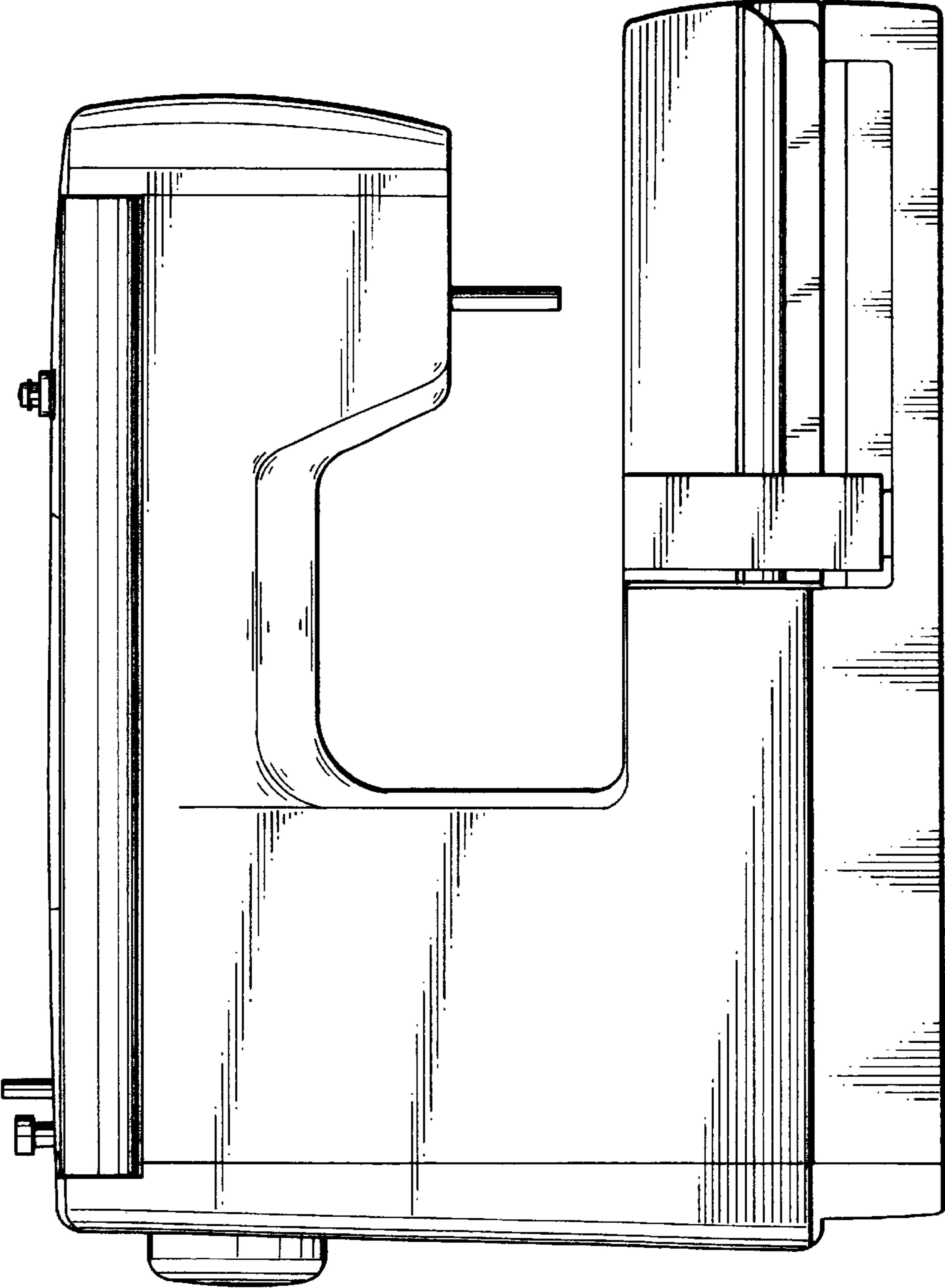


FIGURE 4

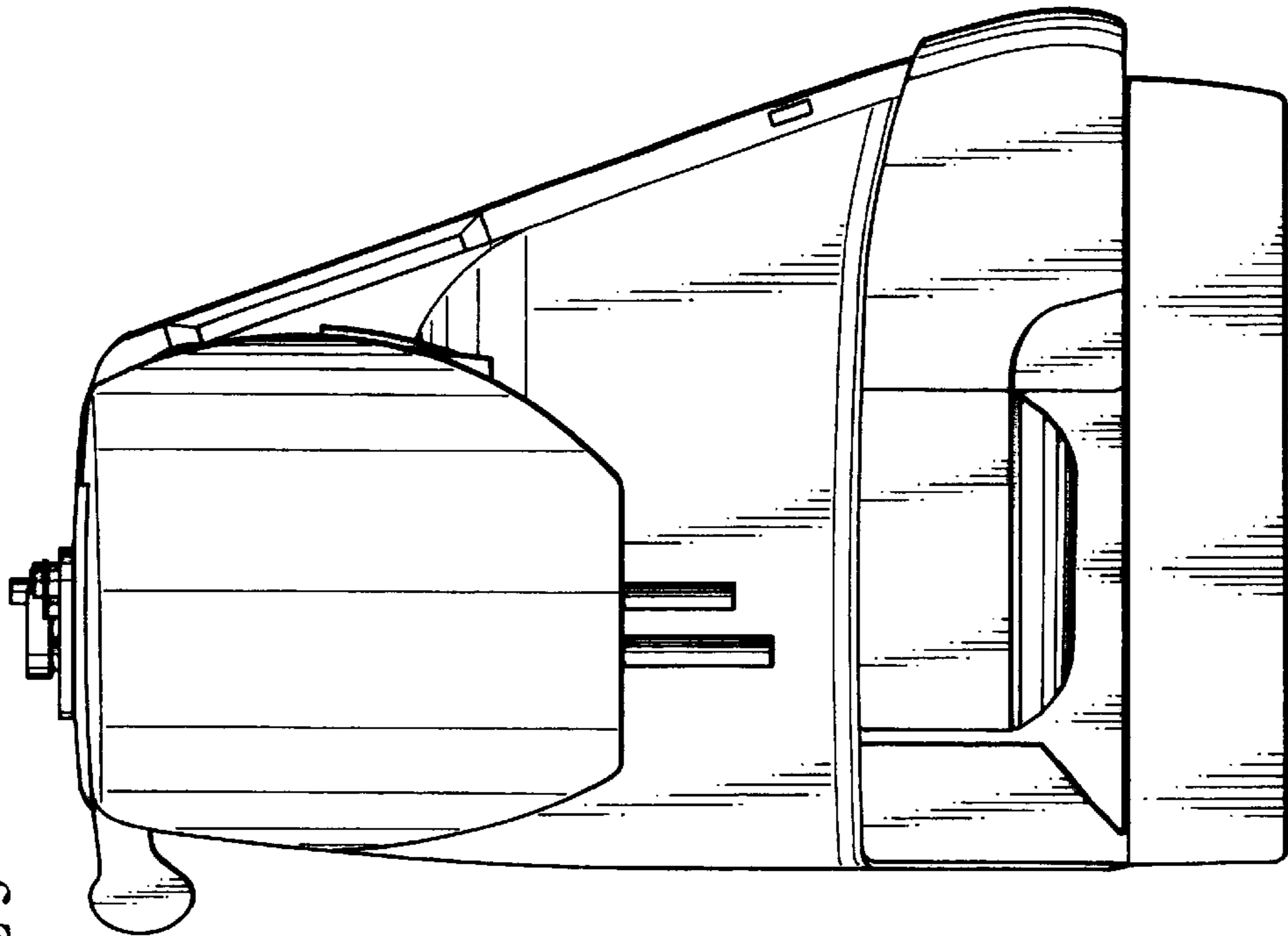


FIGURE 5

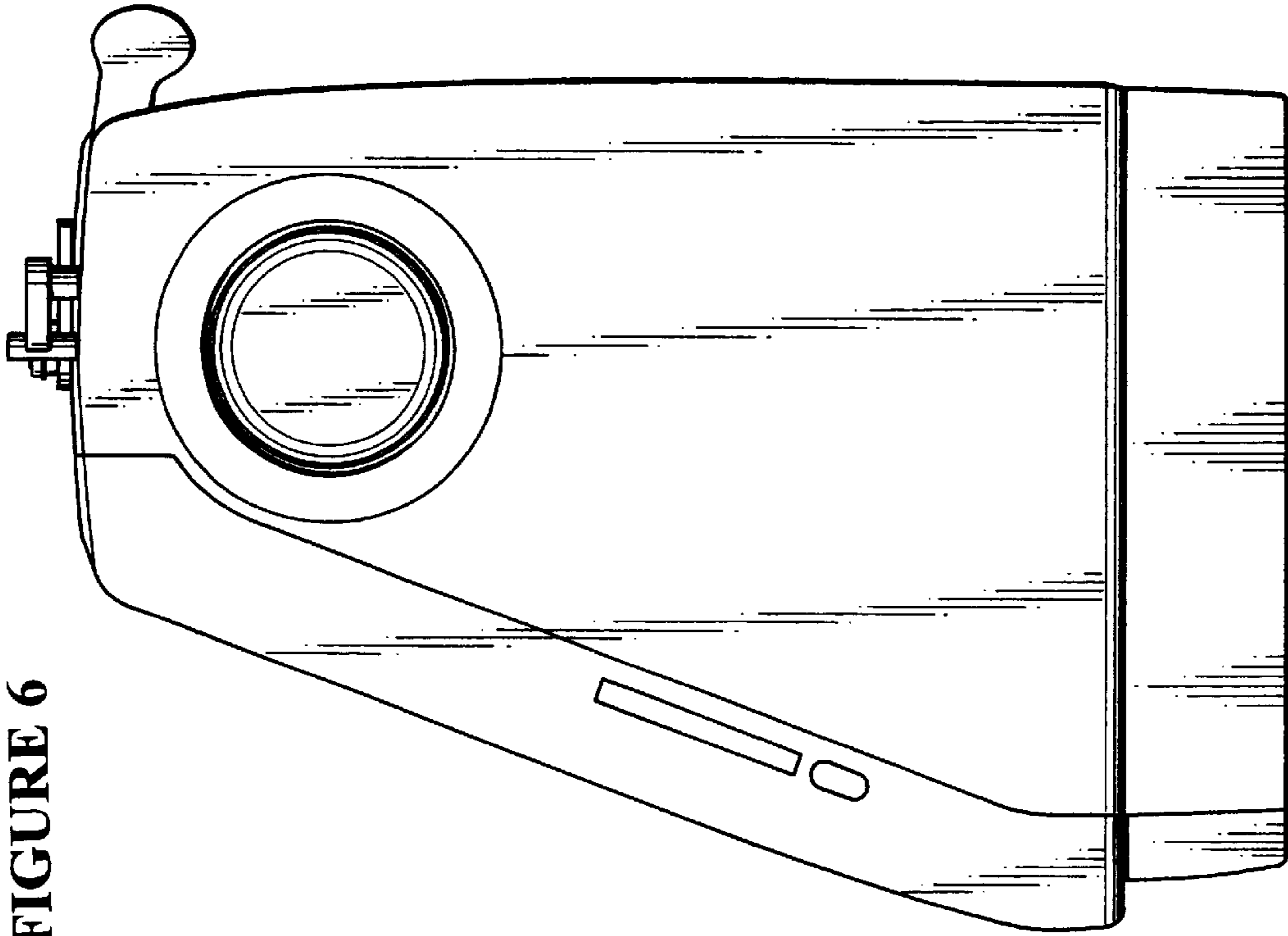


FIGURE 6

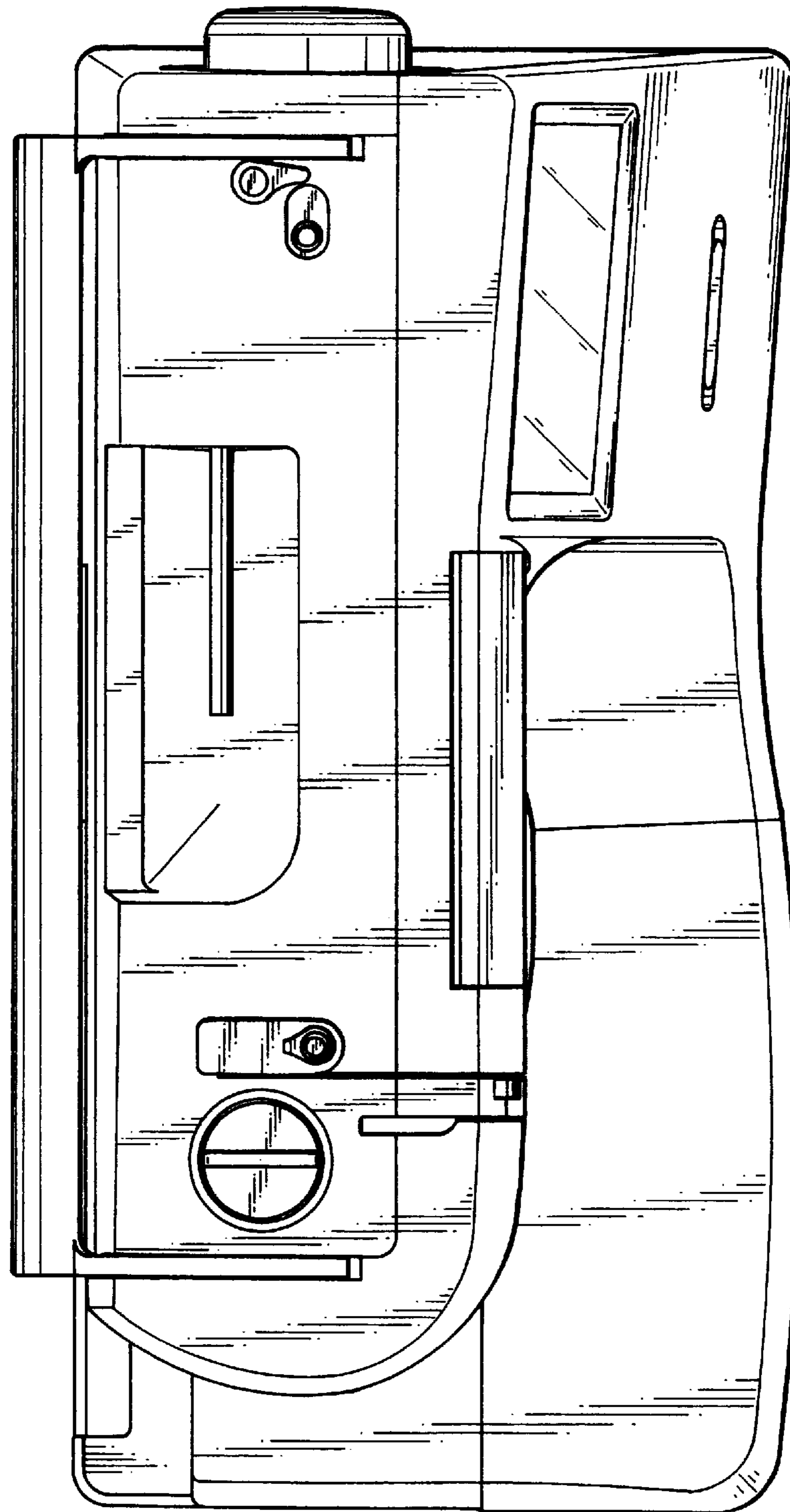


FIGURE 7

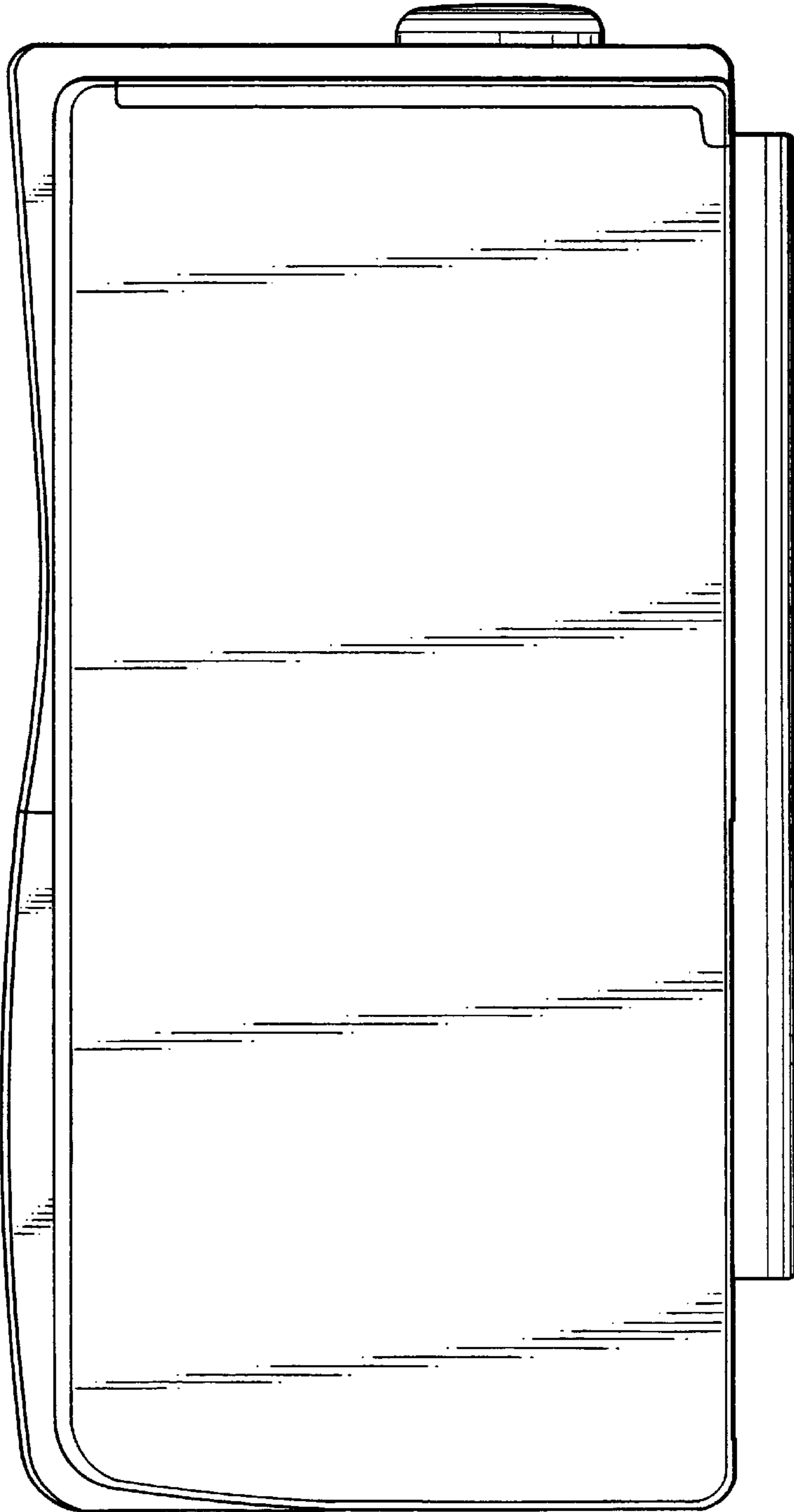


FIGURE 8