



US00D526335S

(12) **United States Design Patent**
Kuwae et al.

(10) **Patent No.:** **US D526,335 S**

(45) **Date of Patent:** **** Aug. 8, 2006**

(54) **TRACTOR**

(75) Inventors: **Junta Kuwae**, Sakai (JP); **Masatoshi Iwamoto**, Kaizuka (JP); **Toshikatsu Otani**, Izumi (JP)

(73) Assignee: **Kubota Corporation** (JP)

(**) Term: **14 Years**

(21) Appl. No.: **29/241,248**

(22) Filed: **Oct. 25, 2005**

(30) **Foreign Application Priority Data**

Sep. 28, 2005 (JP) 2005-028070

(51) **LOC (8) Cl.** **12-09**

(52) **U.S. Cl.** **D15/23**

(58) **Field of Classification Search** D15/10,
D15/14, 15, 22-26, 33; 180/89.1, 89.12,
180/900, 69.2; 56/12.7, 15.8, 16.7, 13.3,
56/13.4, 10.1, 202, 255, 320.1, 320.2, 254,
56/274, 294

See application file for complete search history.

(56) **References Cited**

U.S. PATENT DOCUMENTS

D261,141 S * 10/1981 Takahashi et al. D15/23

D282,849 S * 3/1986 Funabashi D15/23
D306,301 S * 2/1990 Funabashi et al. D15/23
D312,465 S * 11/1990 Yaguchi et al. D15/23
D378,755 S * 4/1997 Kato et al. D15/23
D438,546 S * 3/2001 Katoh et al. D15/23
D489,381 S * 5/2004 Mistry et al. D15/23
D501,487 S * 2/2005 Katoh et al. D15/23
D513,268 S * 12/2005 Wang et al. D15/23

* cited by examiner

Primary Examiner—Stella Reid

Assistant Examiner—Mark Goodwin

(74) *Attorney, Agent, or Firm*—The Webb Law Firm

(57) **CLAIM**

The ornamental design for a tractor, as shown and described.

DESCRIPTION

FIG. 1 is a front perspective view of a tractor showing our new design;

FIG. 2 is a rear perspective view thereof;

FIG. 3 is a right side view thereof;

FIG. 4 is a left side view thereof;

FIG. 5 is a top view thereof;

FIG. 6 is a front view thereof; and,

FIG. 7 is a rear view thereof.

1 Claim, 7 Drawing Sheets





Fig. 1

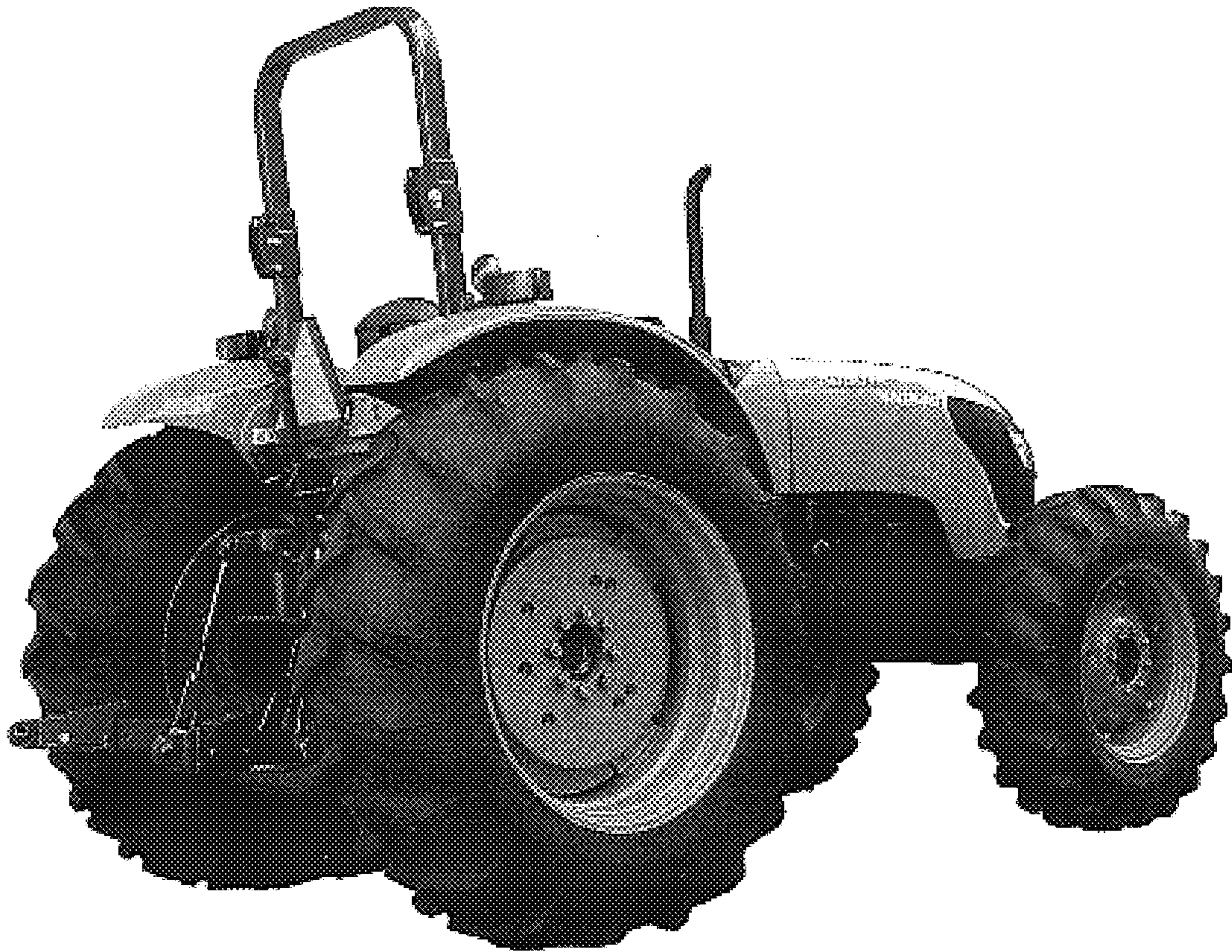


Fig. 2

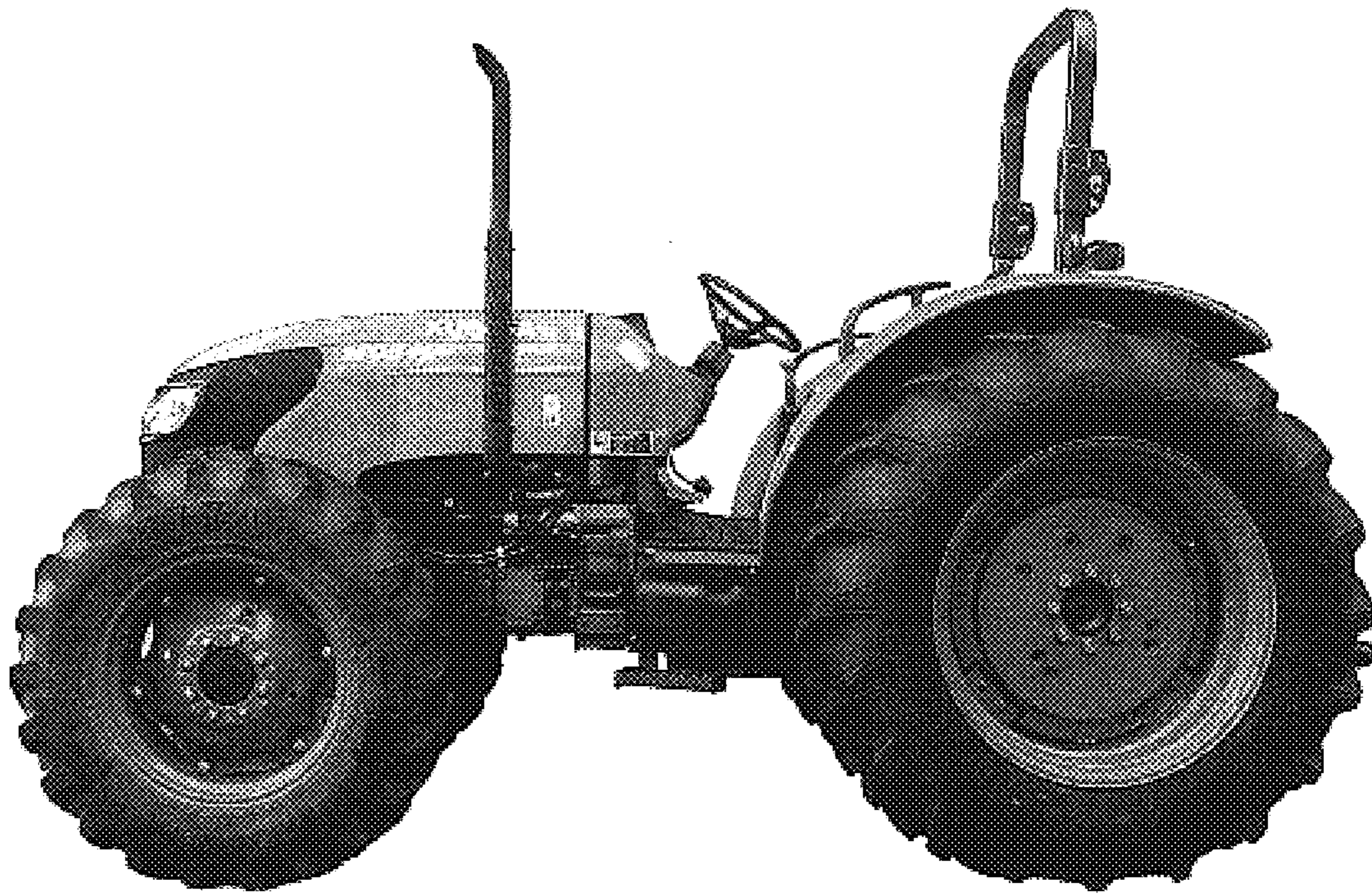


Fig. 3

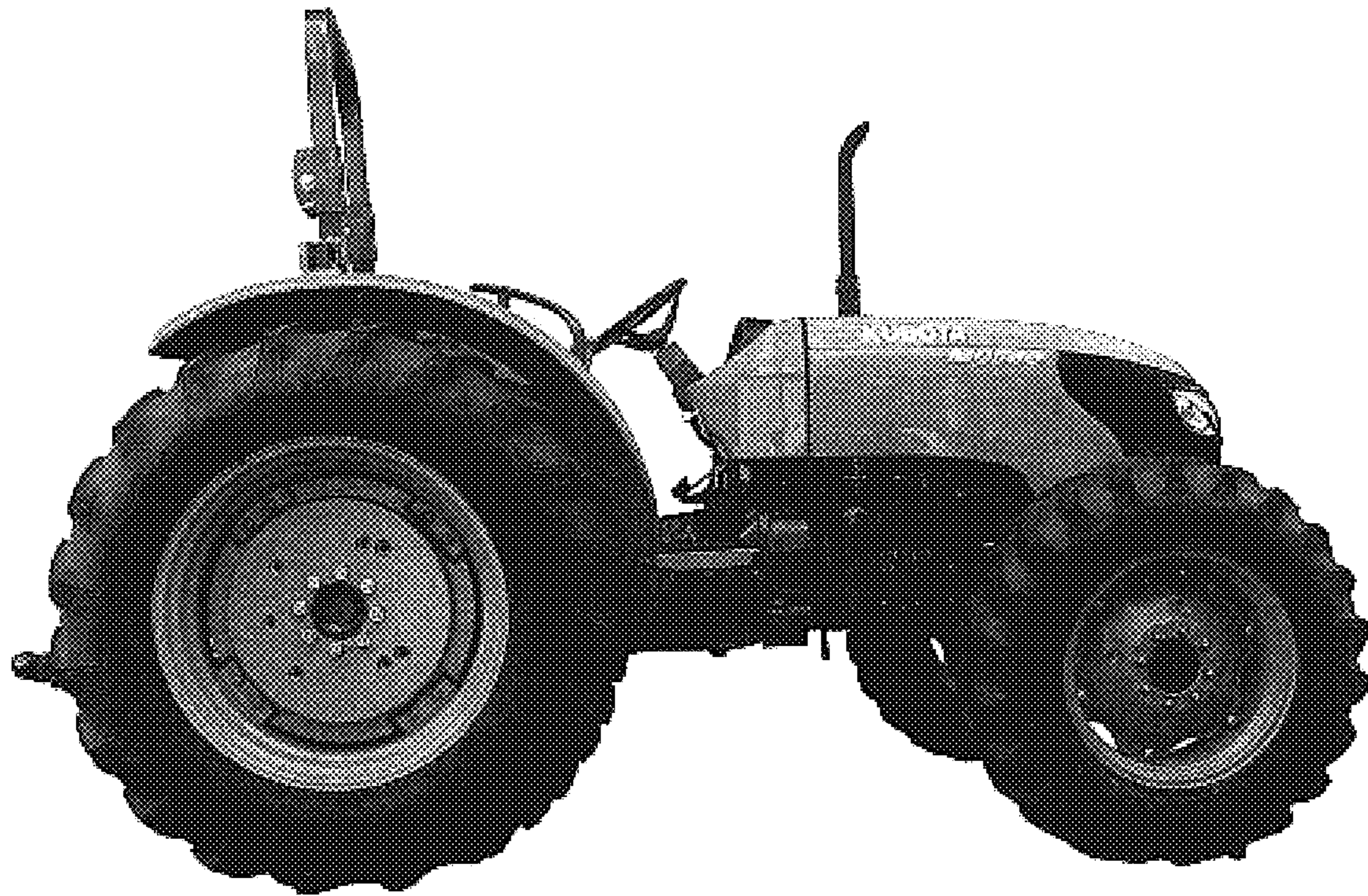


Fig. 4

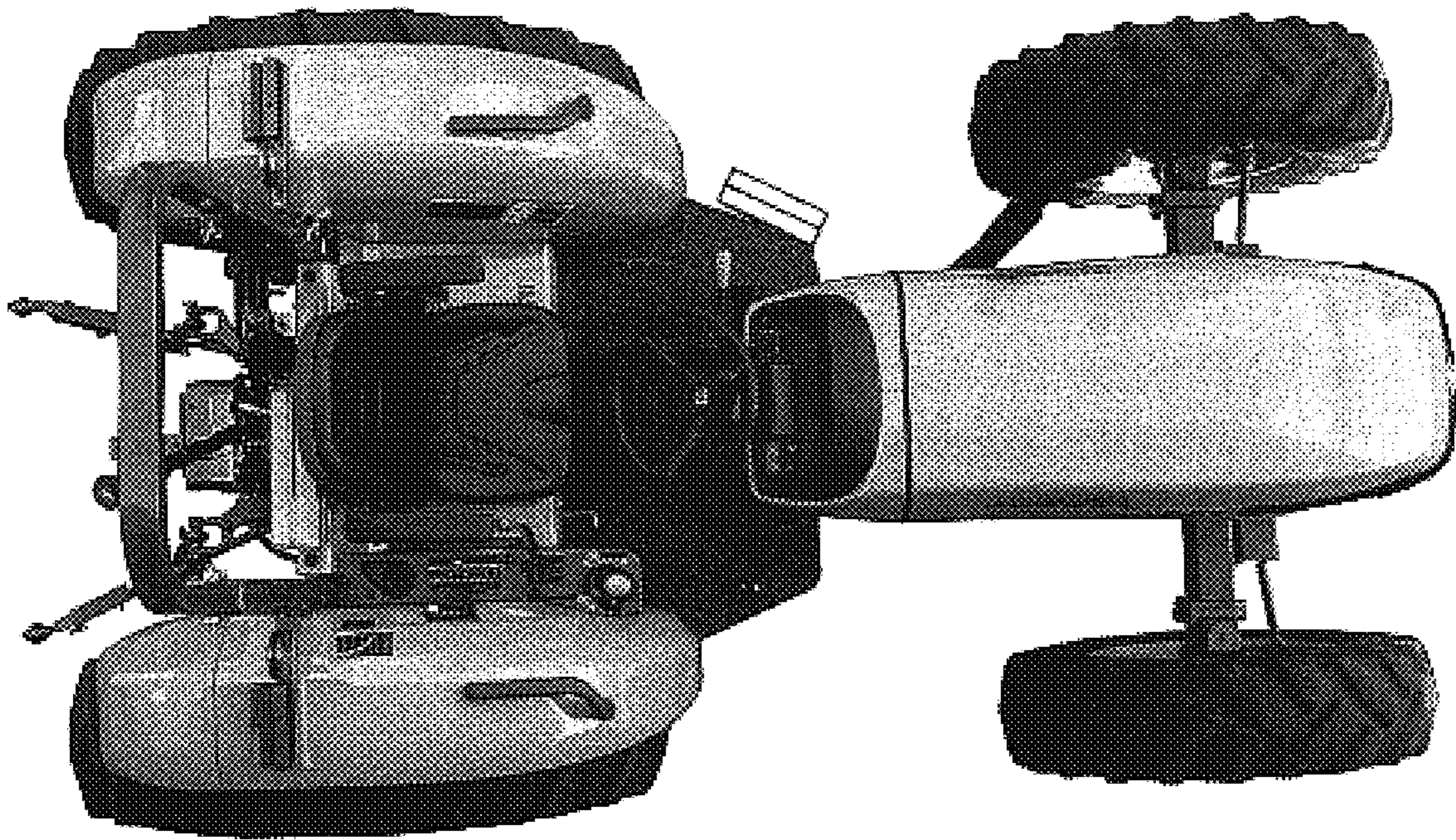


Fig. 5



Fig. 6

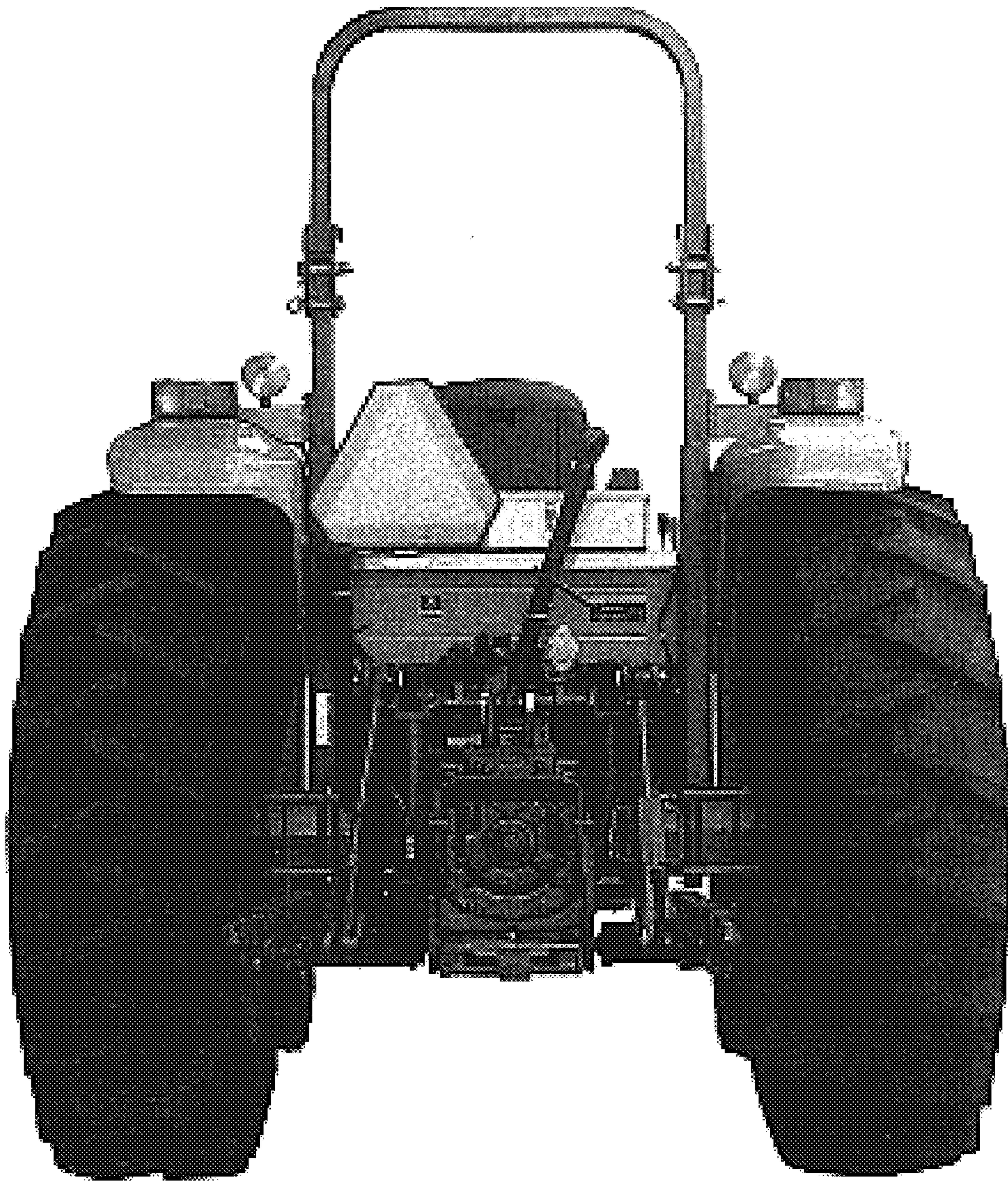


Fig. 7