



US00D526318S

(12) **United States Design Patent**
Neal et al.

(10) **Patent No.:** **US D526,318 S**

(45) **Date of Patent:** **** Aug. 8, 2006**

(54) **PERSONAL COMPUTER HOUSING**

(75) Inventors: **Thomas S. Neal**, Cupertino, CA (US);
Peter K. Lee, San Jose, CA (US);
Kenneth D. Wood, Portola Valley, CA
(US); **Tola I. Chin**, Las Vegas, NV
(US); **Stefan Pannenbecker**,
Dusseldorf (DE)

(73) Assignee: **Hewlett-Packard Development
Company, L.P.**, Houston, TX (US)

(**) Term: **14 Years**

(21) Appl. No.: **29/226,972**

(22) Filed: **Apr. 4, 2005**

(51) **LOC (8) Cl.** **14-02**

(52) **U.S. Cl.** **D14/349**

(58) **Field of Classification Search** D14/300,
D14/301, 349-356; D13/162, 184, 199; 360/99.01-99.12;
361/690-696; 369/34.01, 36.01

See application file for complete search history.

(56) **References Cited**

U.S. PATENT DOCUMENTS

D434,035 S * 11/2000 Jean et al. D14/349

D445,108 S * 7/2001 Lee et al. D14/349
D473,555 S * 4/2003 Chien et al. D14/349
D487,265 S * 3/2004 Kumano et al. D14/349
D497,162 S * 10/2004 Neal et al. D14/349

* cited by examiner

Primary Examiner—Freda S. Nunn

(57) **CLAIM**

We claim the ornamental design for a personal computer housing, as shown and described.

DESCRIPTION

FIG. 1 is an upper right front perspective view for a personal computer housing in accordance with the new design;

FIG. 2 is a front elevational view thereof;

FIG. 3 a left side elevational view thereof;

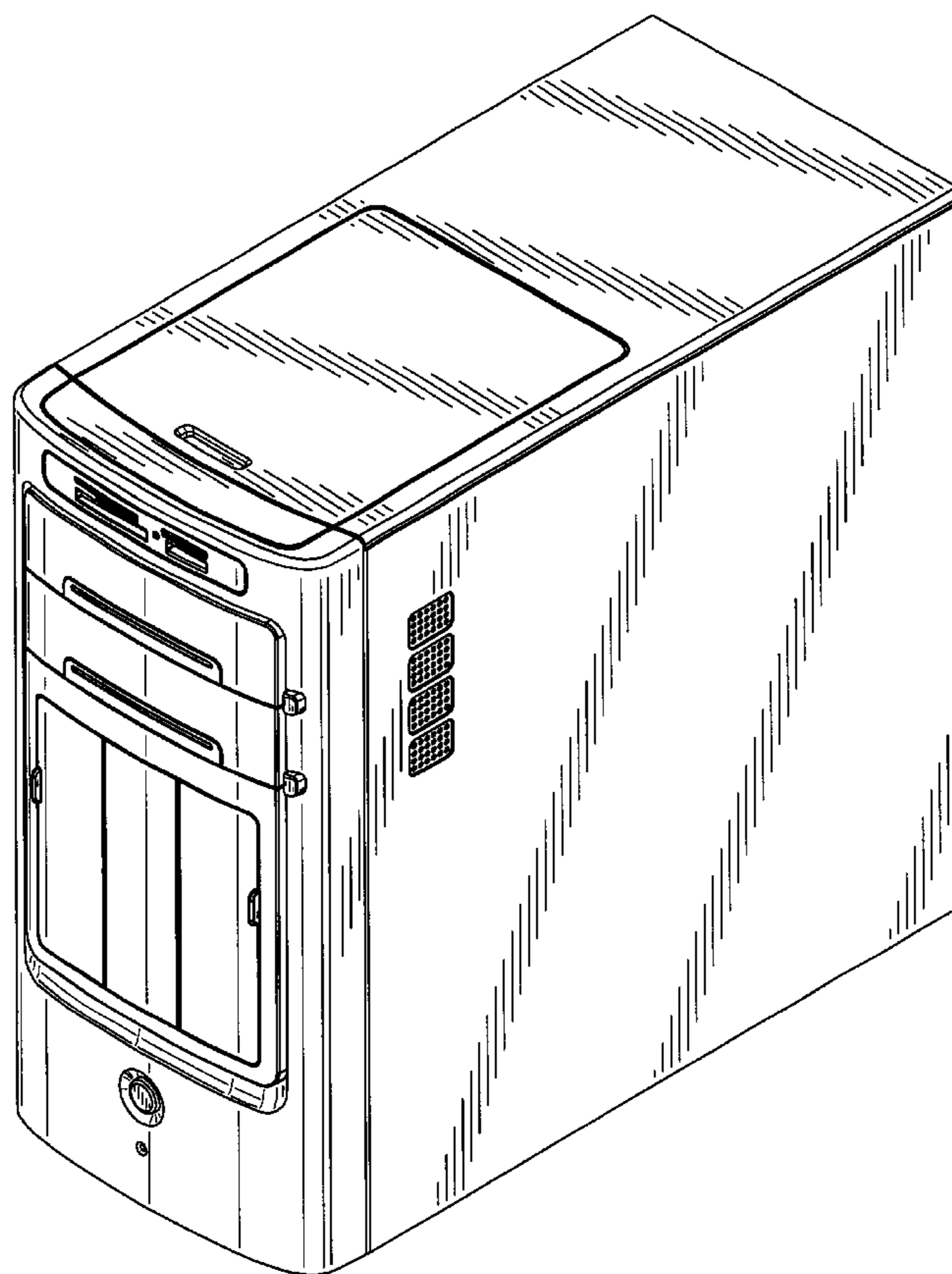
FIG. 4 is a rear elevational view thereof, wherein the areas shown in broken lines being depicted for illustrative purposes and do not form any part of the claimed design;

FIG. 5 a right side elevational view thereof;

FIG. 6 is a top plan view thereof; and,

FIG. 7 is a bottom plan view thereof.

1 Claim, 4 Drawing Sheets



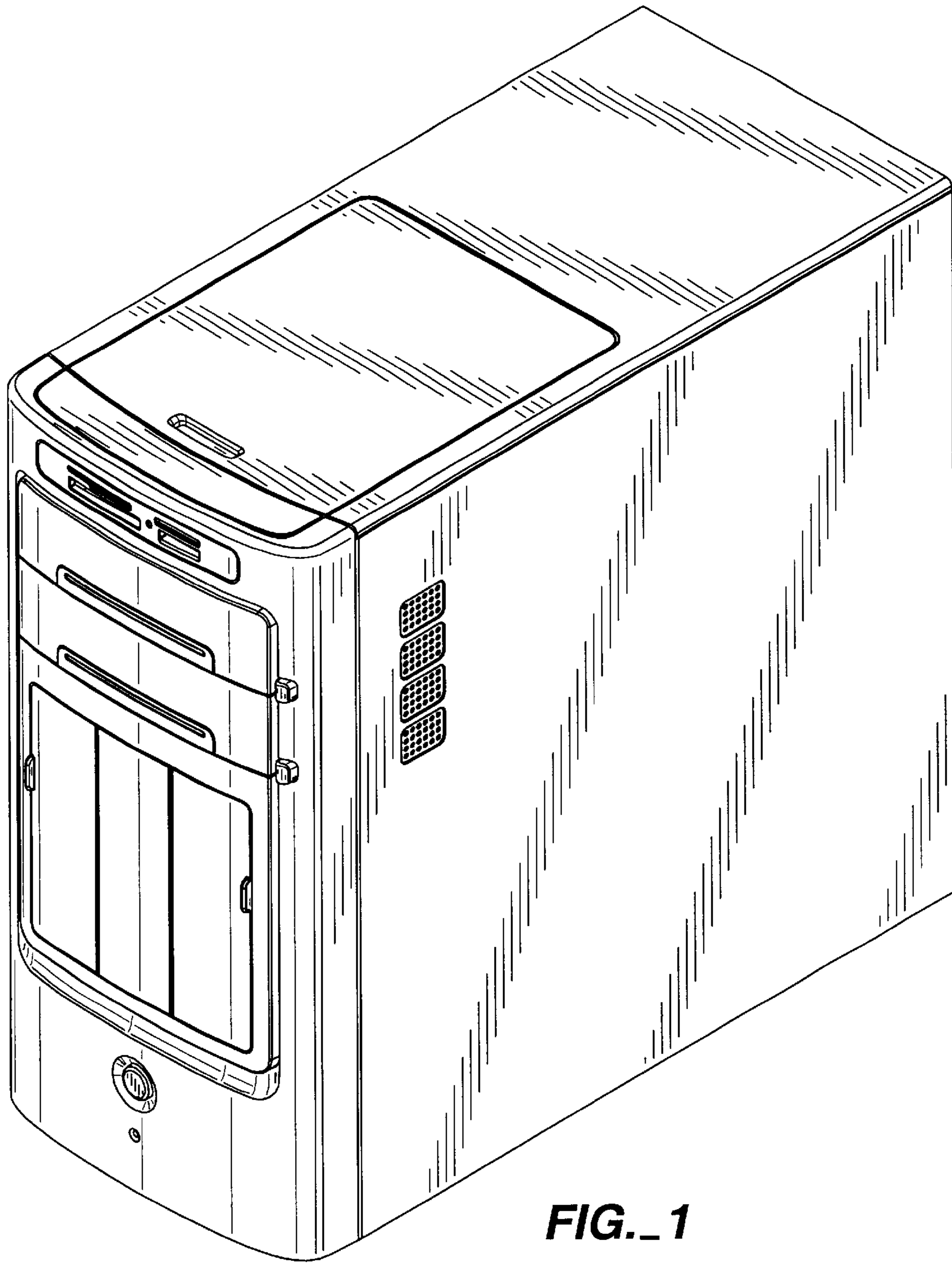


FIG. 1

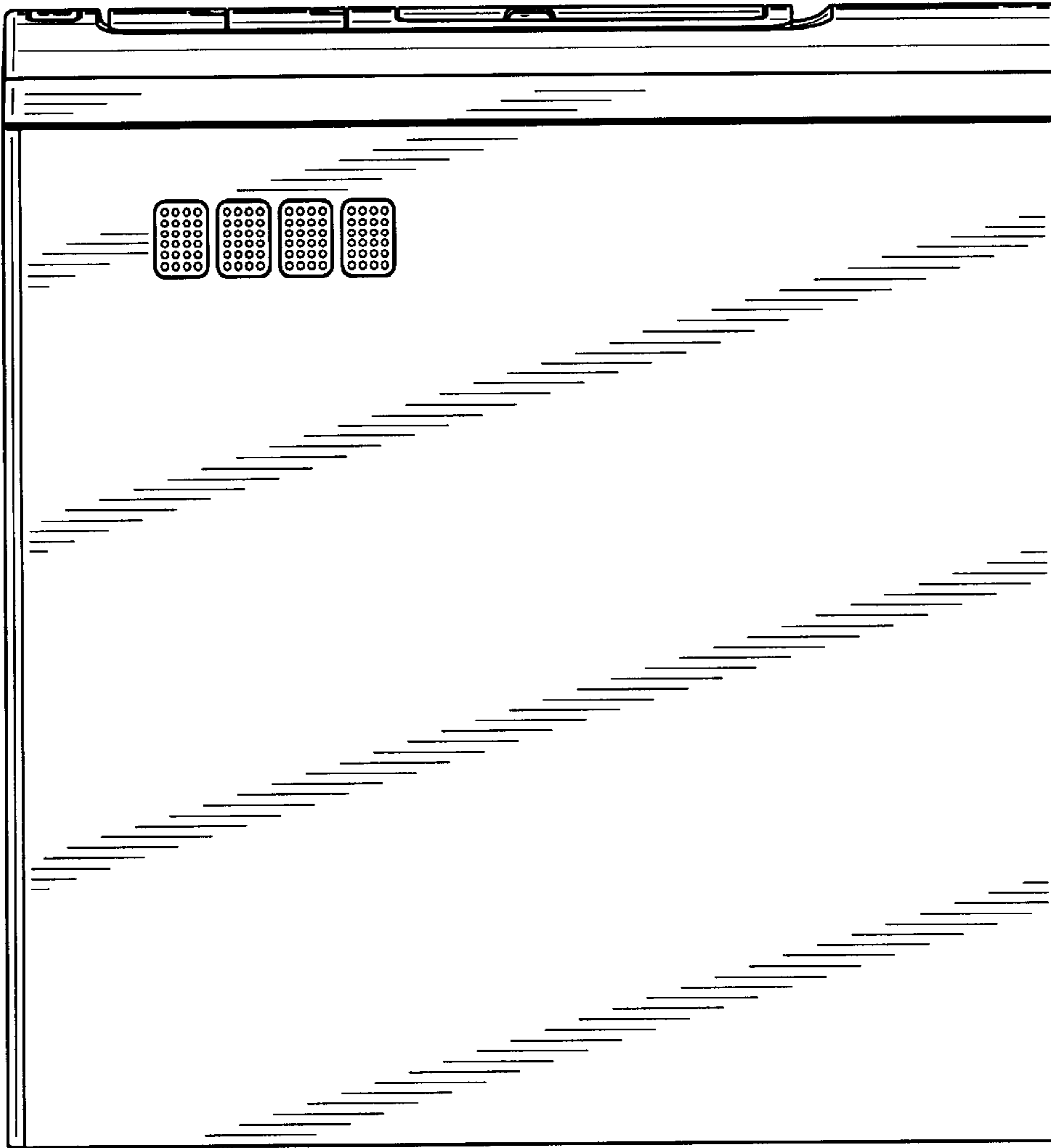


FIG. 3

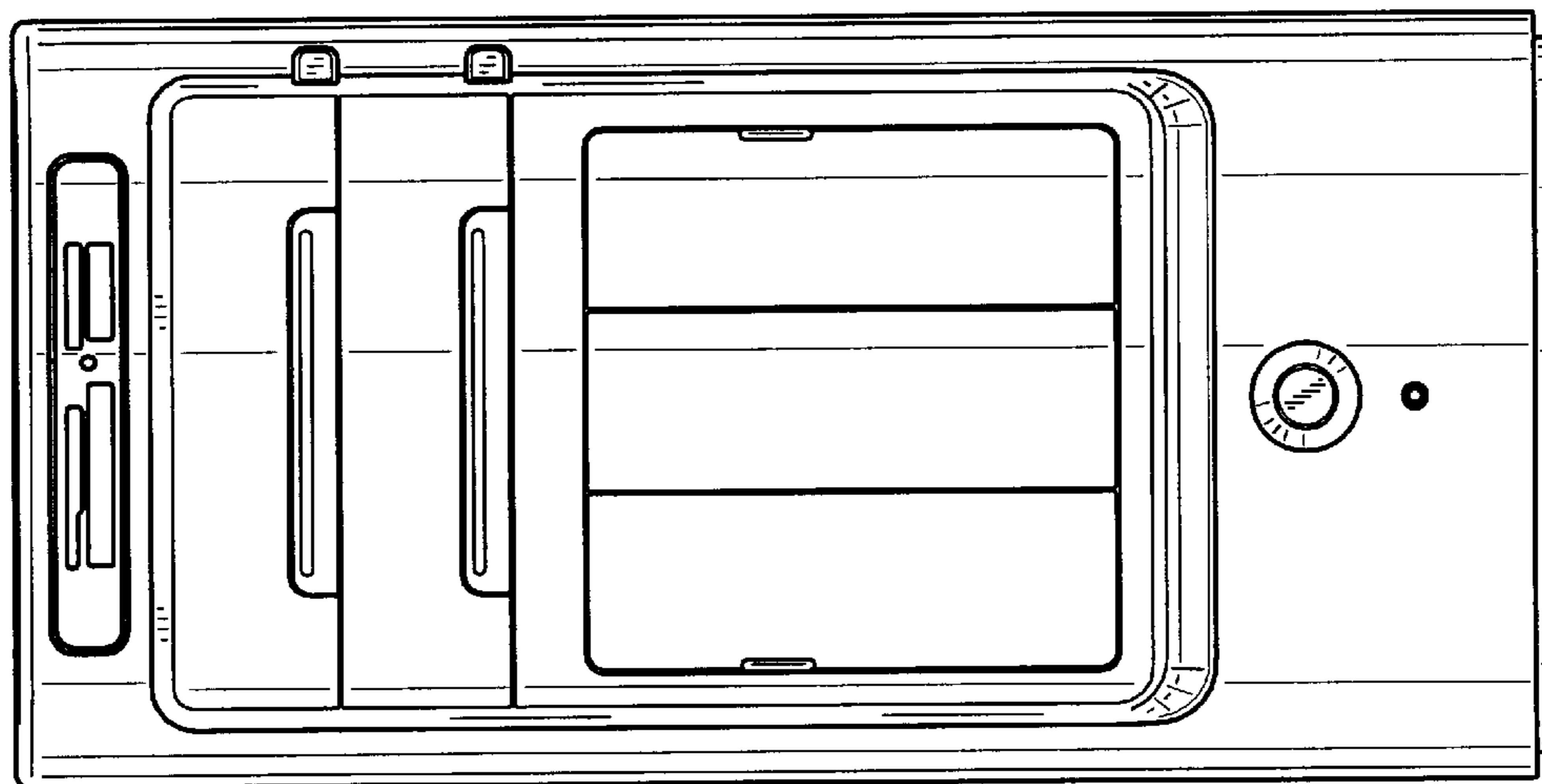


FIG. 2

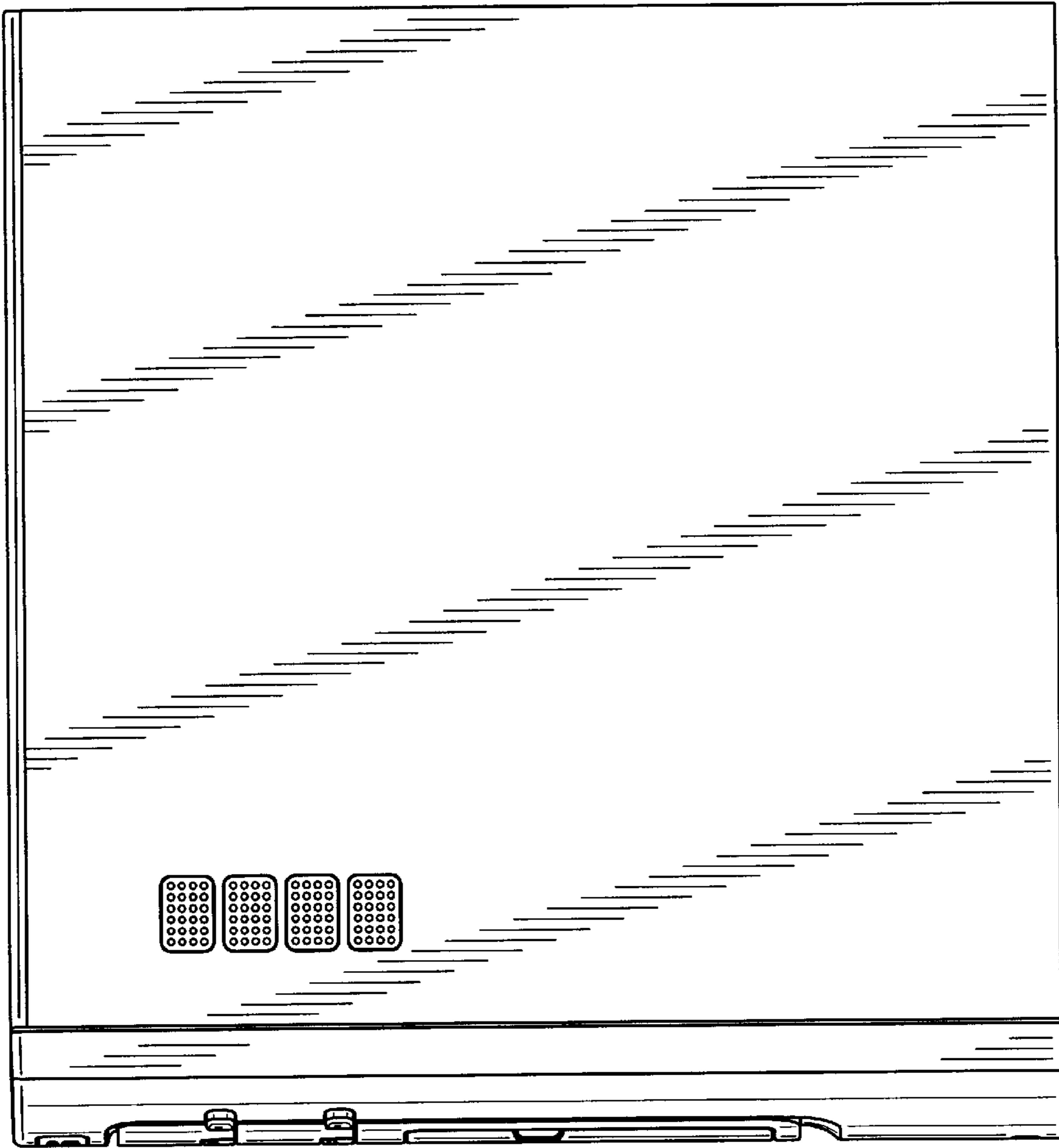


FIG. 5

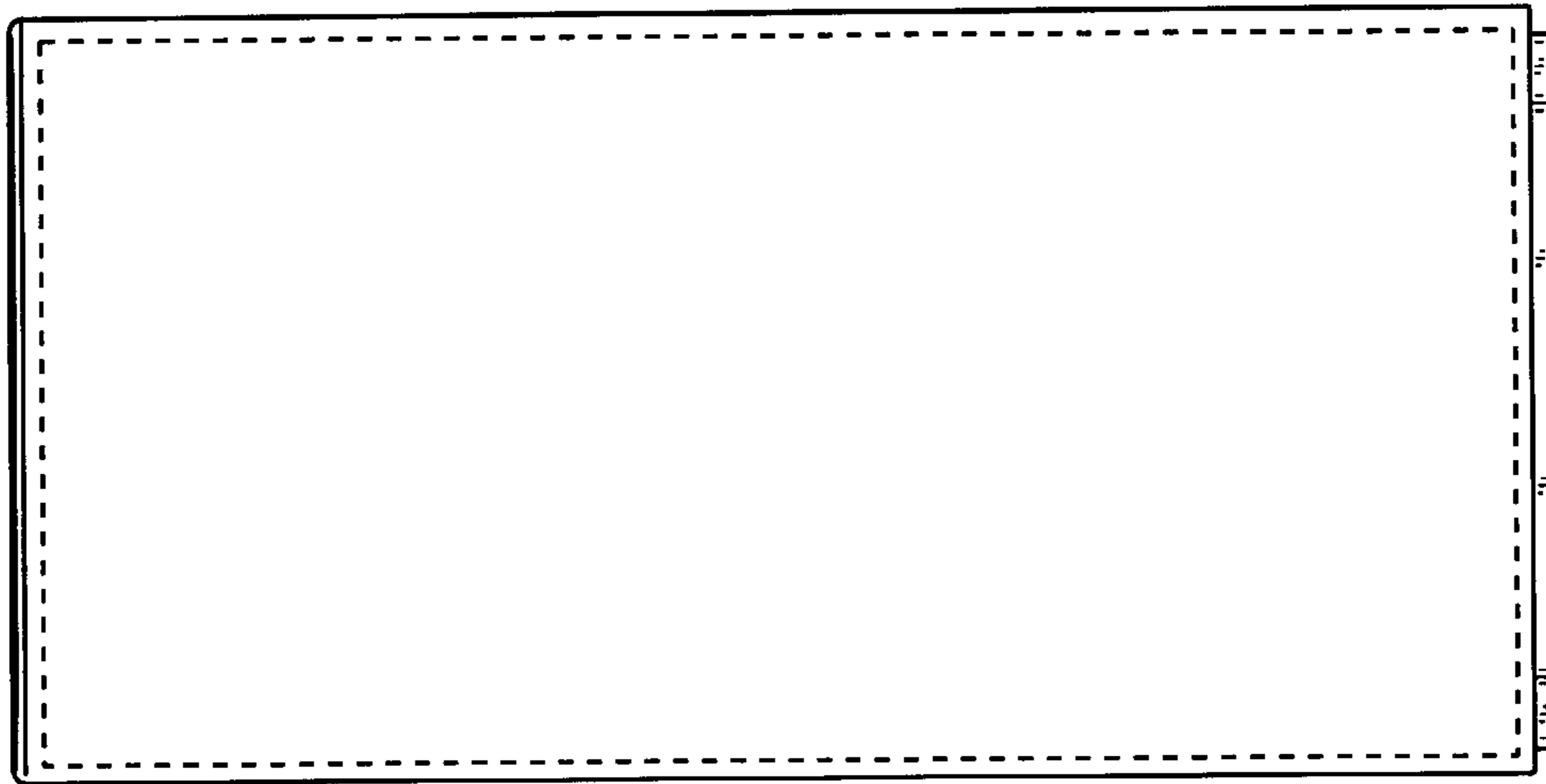


FIG. 4

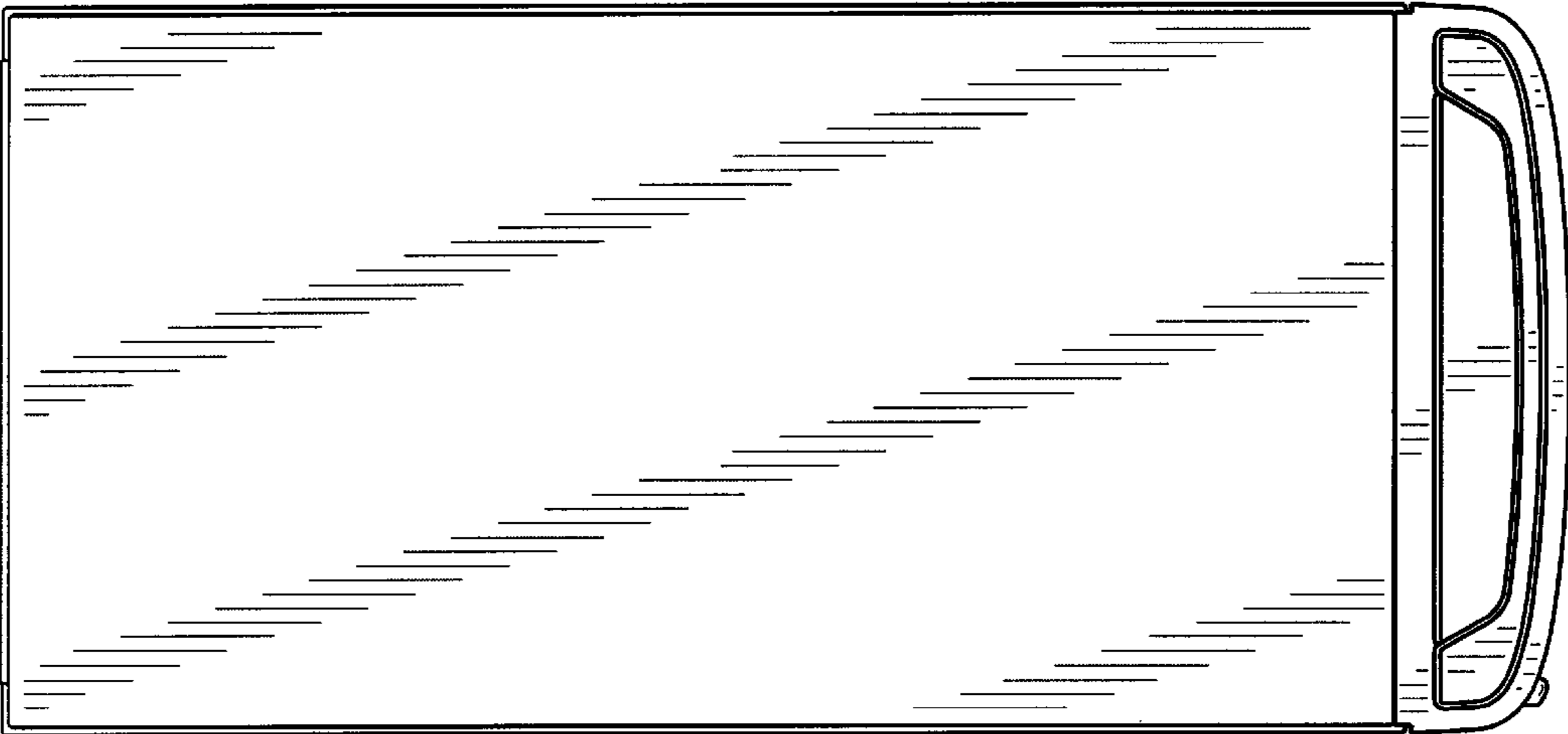


FIG. 7

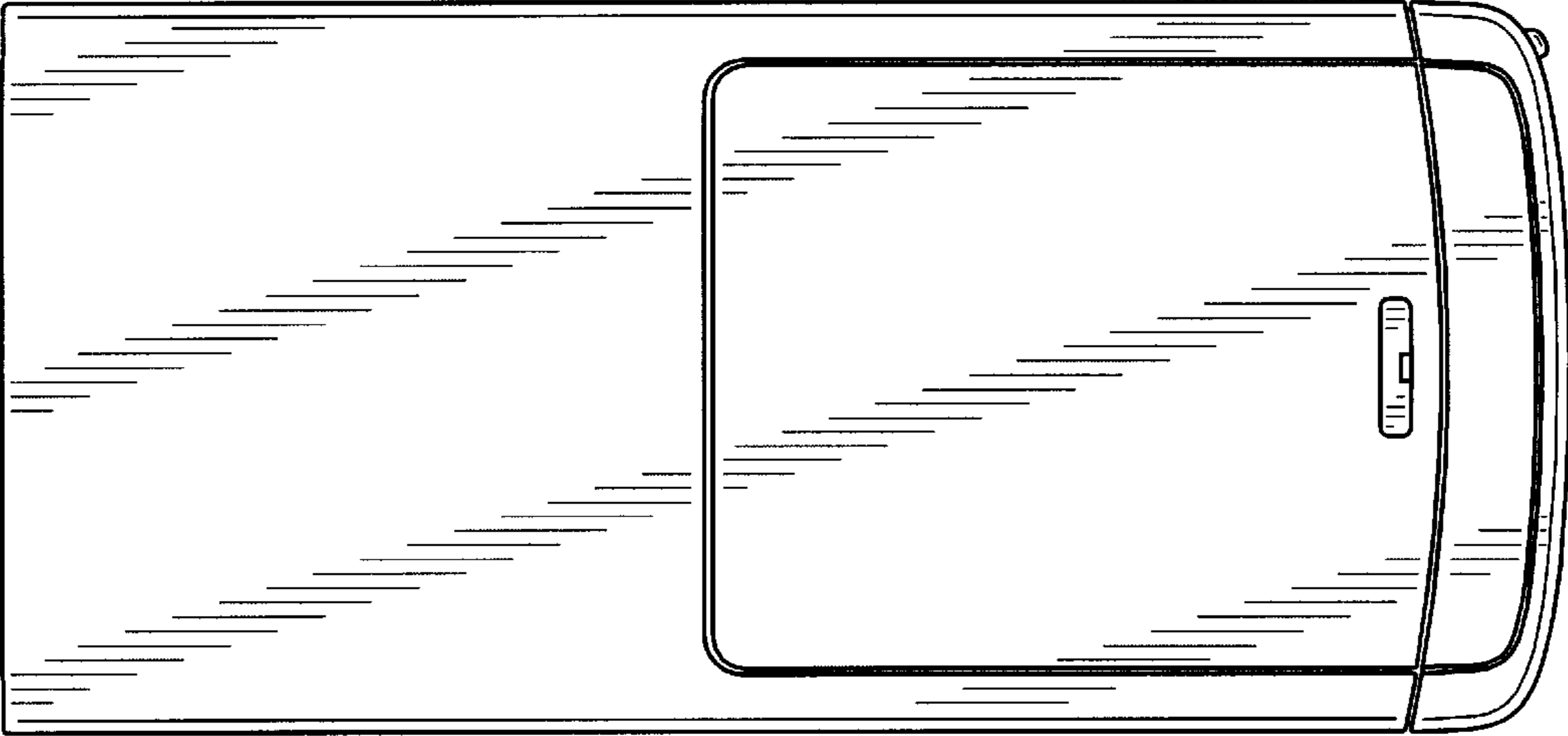


FIG. 6