



US00D526313S

(12) **United States Design Patent**  
**Murray**

(10) **Patent No.:** **US D526,313 S**

(45) **Date of Patent:** **\*\* Aug. 8, 2006**

(54) **HEADSET**

D508,485 S \* 8/2005 Katsumata ..... D14/223  
D512,991 S \* 12/2005 Yano ..... D14/223  
D514,549 S \* 2/2006 Rath et al. .... D14/223

(75) Inventor: **Joshua Murray**, Malmo (SE)

\* cited by examiner

(73) Assignee: **Sony Ericsson Mobile Communications AB**, Lund (SE)

*Primary Examiner*—Paula A. Greene  
(74) *Attorney, Agent, or Firm*—Albihns Stockholm AB

(\*\*) Term: **14 Years**

(21) Appl. No.: **29/234,844**

(57) **CLAIM**

(22) Filed: **Jul. 25, 2005**

The ornamental design for a headset, as shown.

(30) **Foreign Application Priority Data**

**DESCRIPTION**

Feb. 3, 2005 (EM) ..... 000290754-0001

(51) **LOC (8) Cl.** ..... **14-01**

FIG. 1 is a front view of a headset according to my new design,

(52) **U.S. Cl.** ..... **D14/223**

FIG. 2 is a right side view thereof;

(58) **Field of Classification Search** ..... D14/188,  
D14/192, 205, 206, 223; D24/174; 379/430,  
379/446; 381/374, 376, 377, 378, 381, 330;  
181/129-130

FIG. 3 is a left side view thereof;

FIG. 4 is a bottom view thereof;

See application file for complete search history.

FIG. 5 is a top view thereof;

FIG. 6 is a rear view thereof; and,

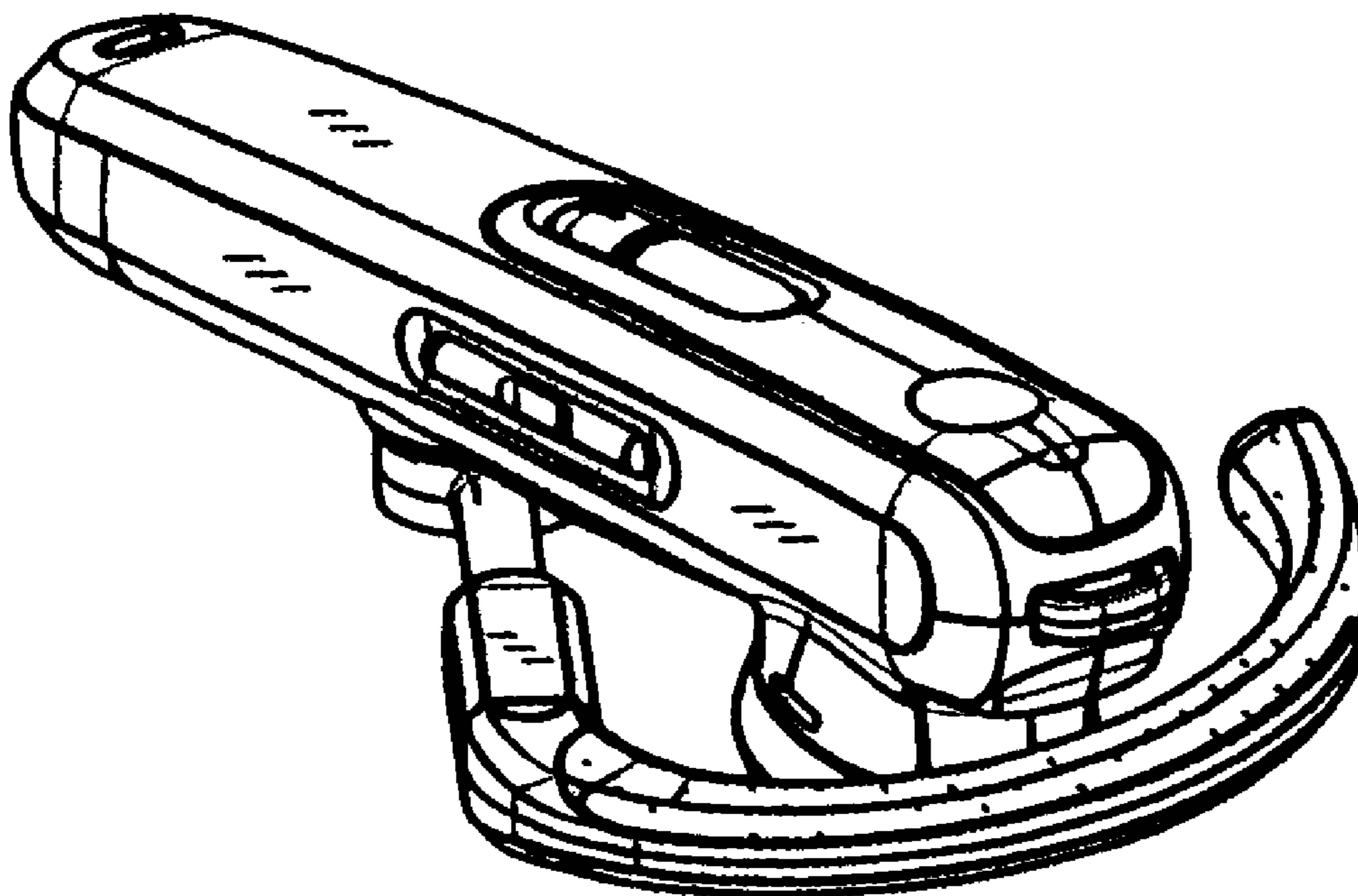
FIG. 7 is an upper right perspective view thereof.

(56) **References Cited**

**U.S. PATENT DOCUMENTS**

D471,889 S \* 3/2003 Rath et al. .... D14/205

**1 Claim, 1 Drawing Sheet**



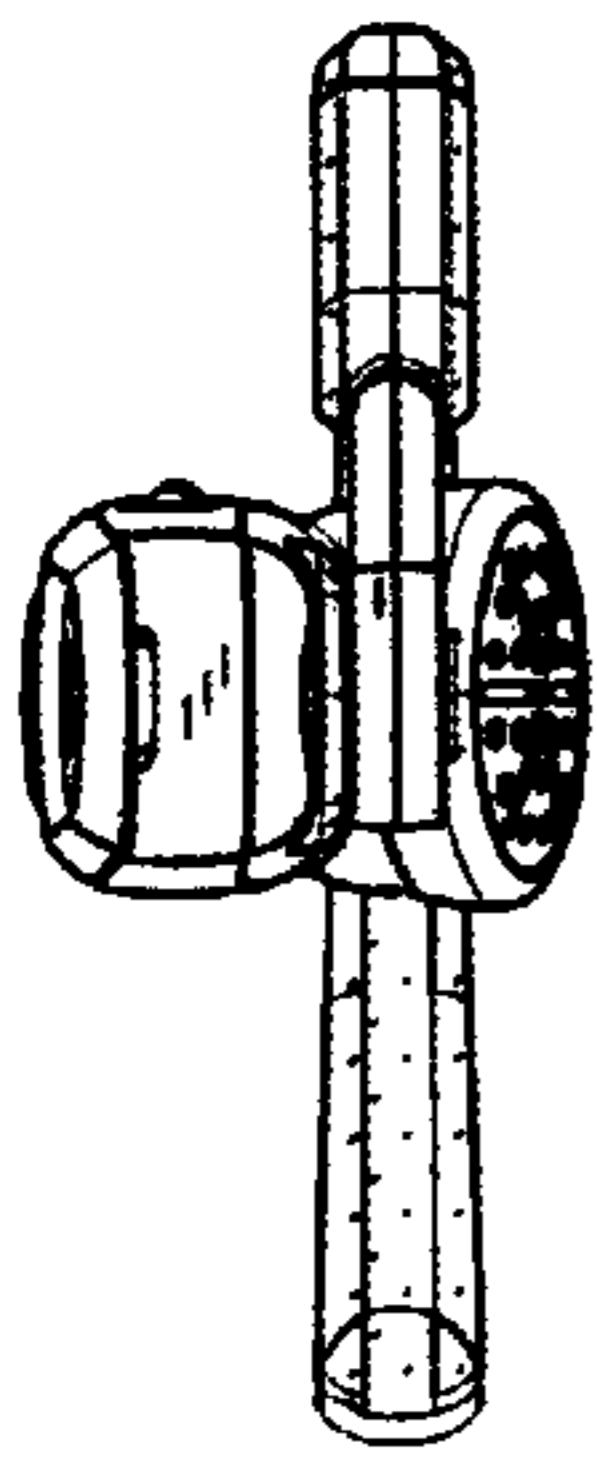


Fig. 4

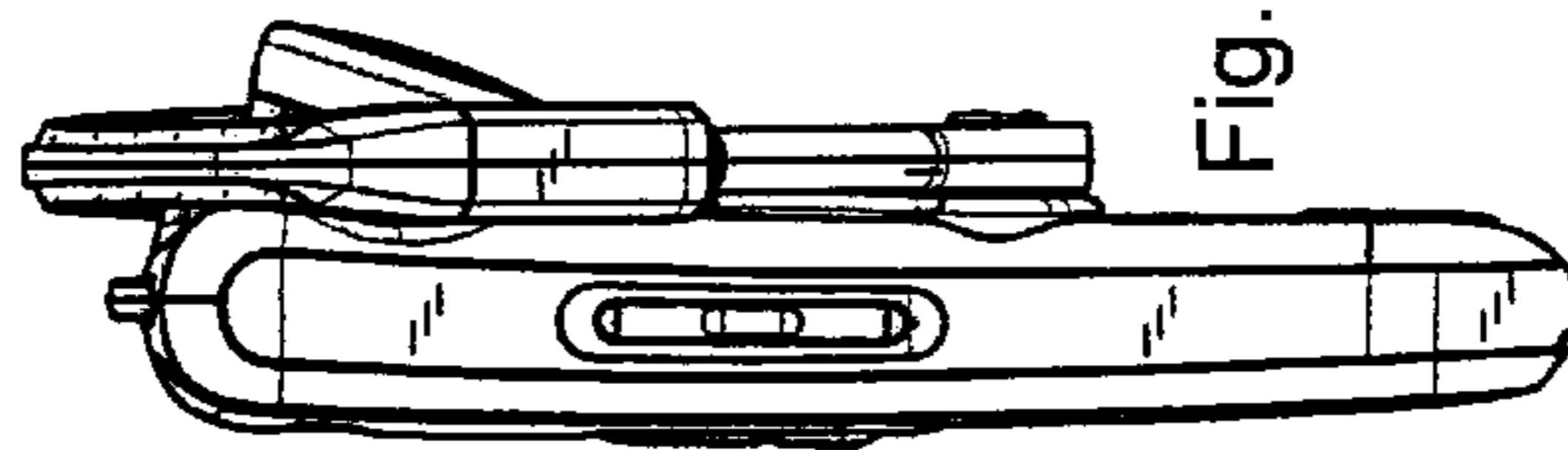


Fig. 2

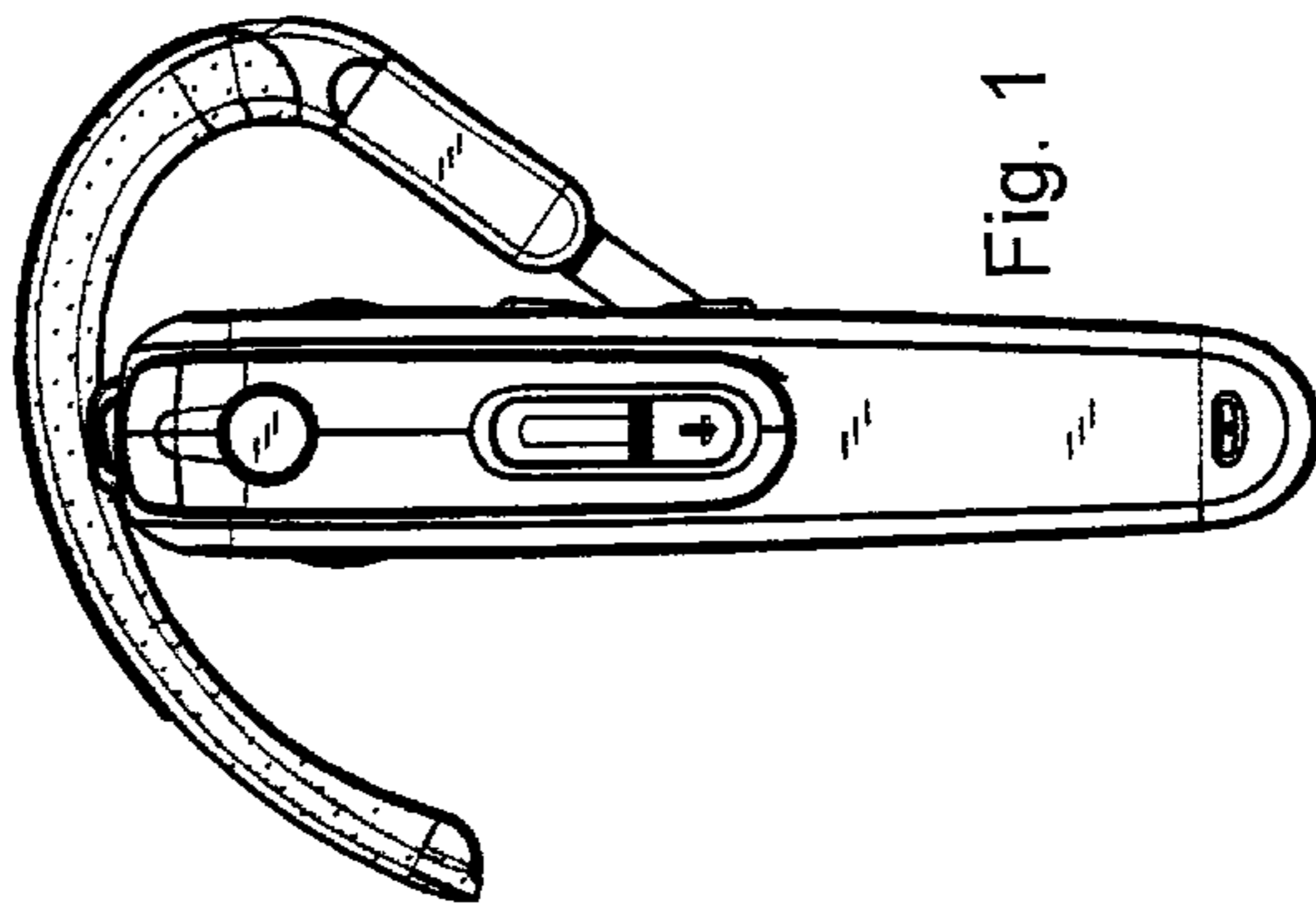


Fig. 1

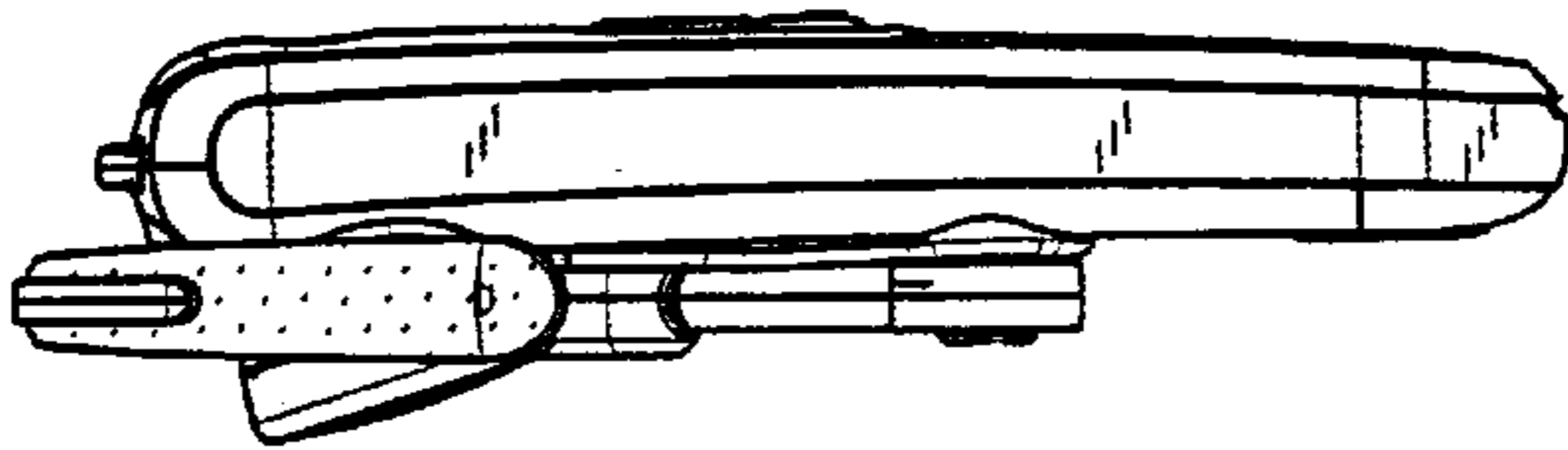


Fig. 3

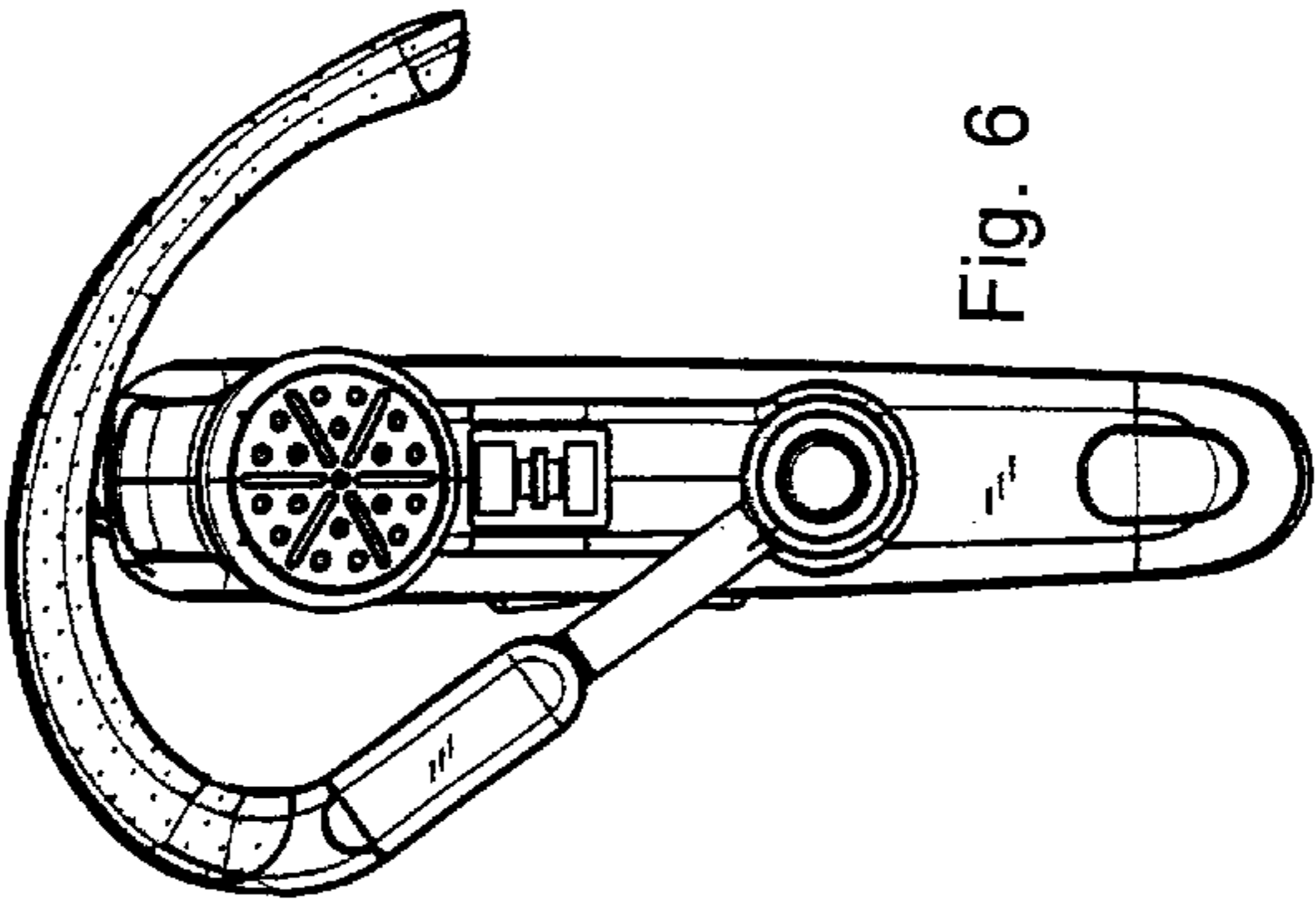


Fig. 6

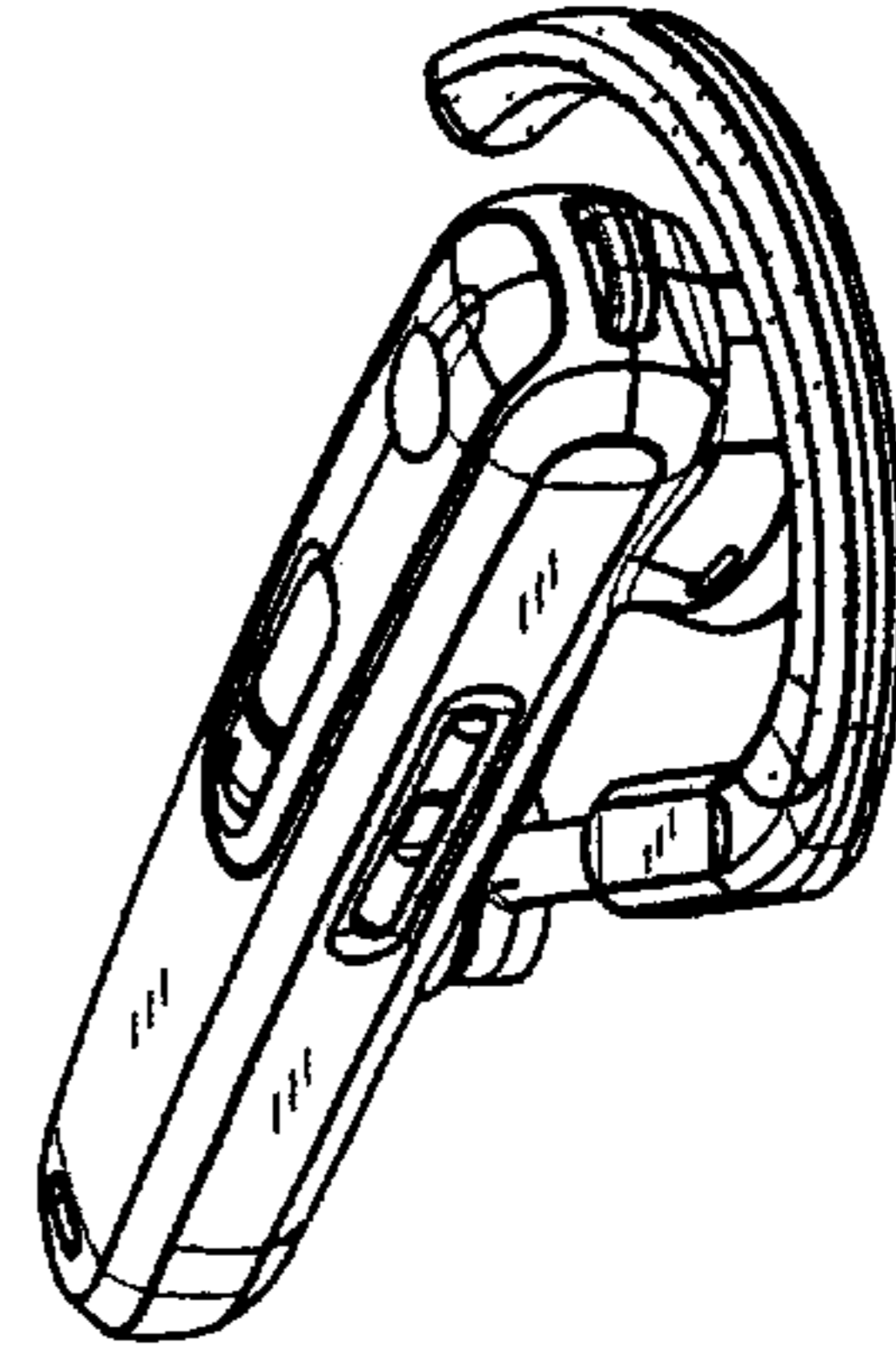


Fig. 7

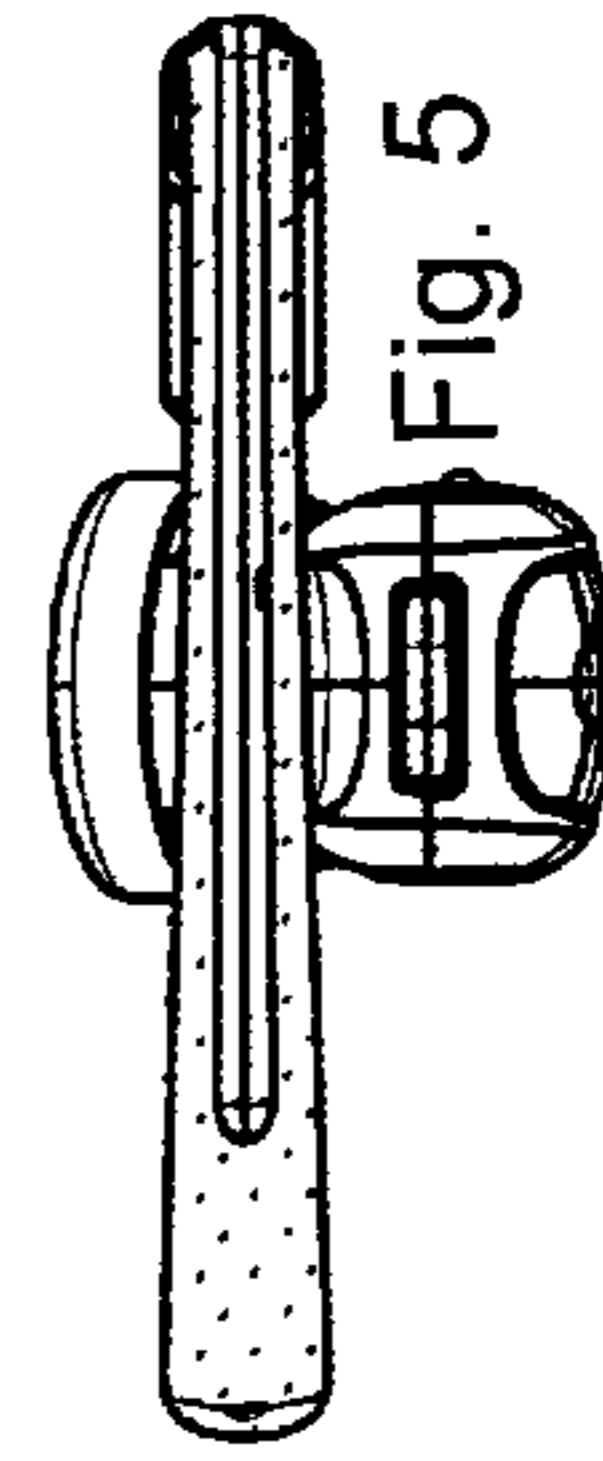


Fig. 5