



US00D526311S

(12) **United States Design Patent**
Amada et al.

(10) **Patent No.:** **US D526,311 S**
(45) **Date of Patent:** **** Aug. 8, 2006**

(54) **SPEAKER FOR AN AUTOMOBILE**

(75) Inventors: **Hiroyuki Amada**, Matsusaka (JP);
Shinsaku Sawa, Matsusaka (JP)

(73) Assignee: **Matsushita Electric Industrial Co., Ltd.**, Osaka (JP)

(**) Term: **14 Years**

(21) Appl. No.: **29/225,493**

(22) Filed: **Mar. 16, 2005**

(30) **Foreign Application Priority Data**

Sep. 24, 2004 (JP) 2004-028893

(51) **LOC (8) Cl.** **14-01**

(52) **U.S. Cl.** **D14/221**

(58) **Field of Classification Search** D14/204,
D14/207, 209-216, 221-222, 157, 356, 496;
181/143-144, 147-148, 150, 157, 198-199,
181/153; 381/300-302, 306, 333, 345, 361-364,
381/332, 336, 380, 186, 87

See application file for complete search history.

(56) **References Cited**

U.S. PATENT DOCUMENTS

D302,695 S * 8/1989 Weissberg et al. D14/222

D349,499 S * 8/1994 Collins D14/216
D432,118 S * 10/2000 Honnert D14/221
D480,709 S * 10/2003 Proni D14/216
6,675,930 B1 * 1/2004 Sugiyama et al. 181/148

* cited by examiner

Primary Examiner—Nanda Bondade

(74) *Attorney, Agent, or Firm*—Brinks Hofer Gilson & Lione

(57) **CLAIM**

We claim the ornamental design for a speaker for an automobile, as shown and described.

DESCRIPTION

FIG. 1 is a top perspective view of a speaker for an automobile of the present invention;
FIG. 2 is a top view thereof;
FIG. 3 is a first side view thereof;
FIG. 4 is a second side view thereof;
FIG. 5 is a third side view thereof;
FIG. 6 is a fourth side view thereof;
FIG. 7 is a bottom view thereof; and,
FIG. 8 is a bottom perspective view thereof.

1 Claim, 5 Drawing Sheets

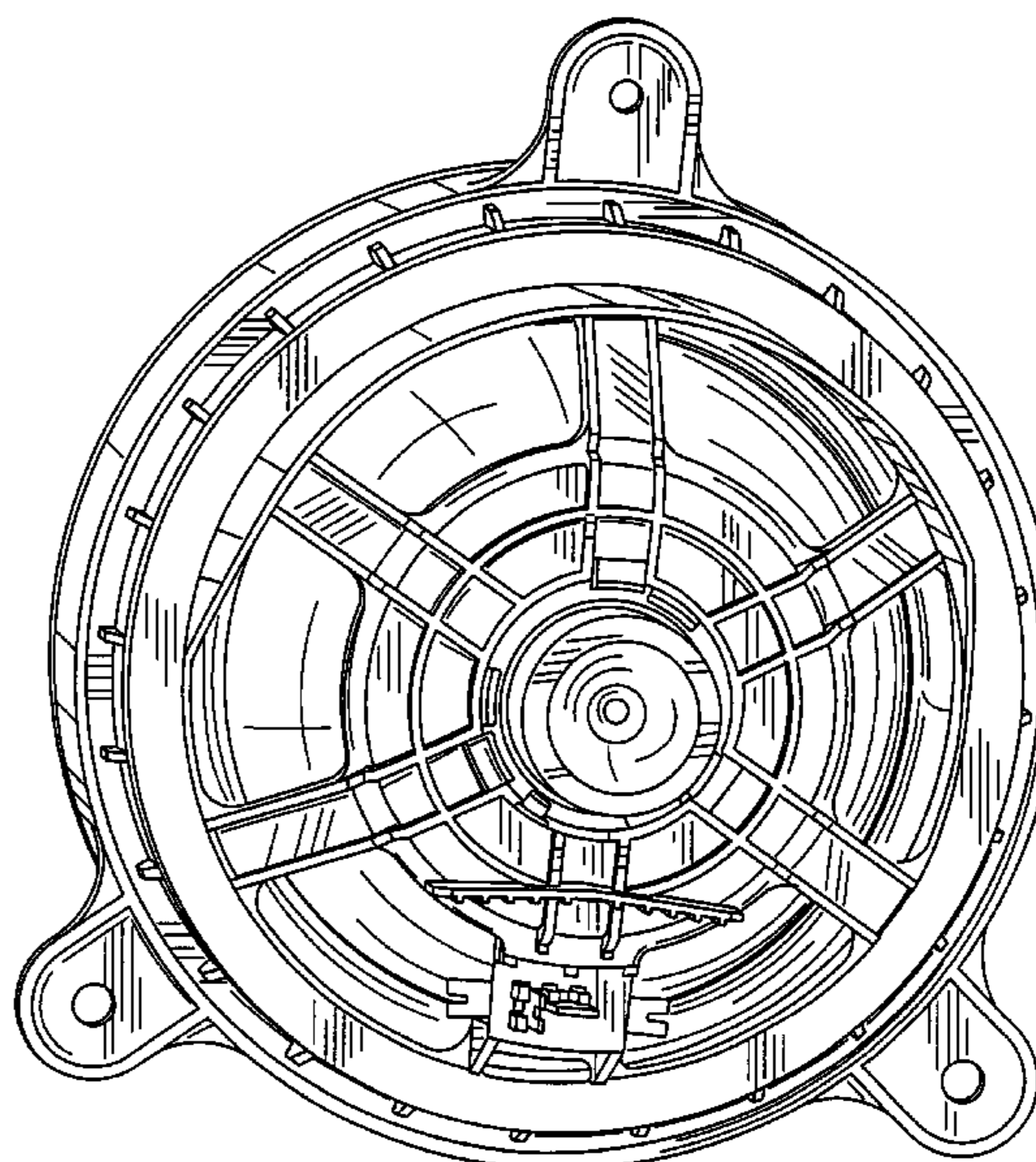
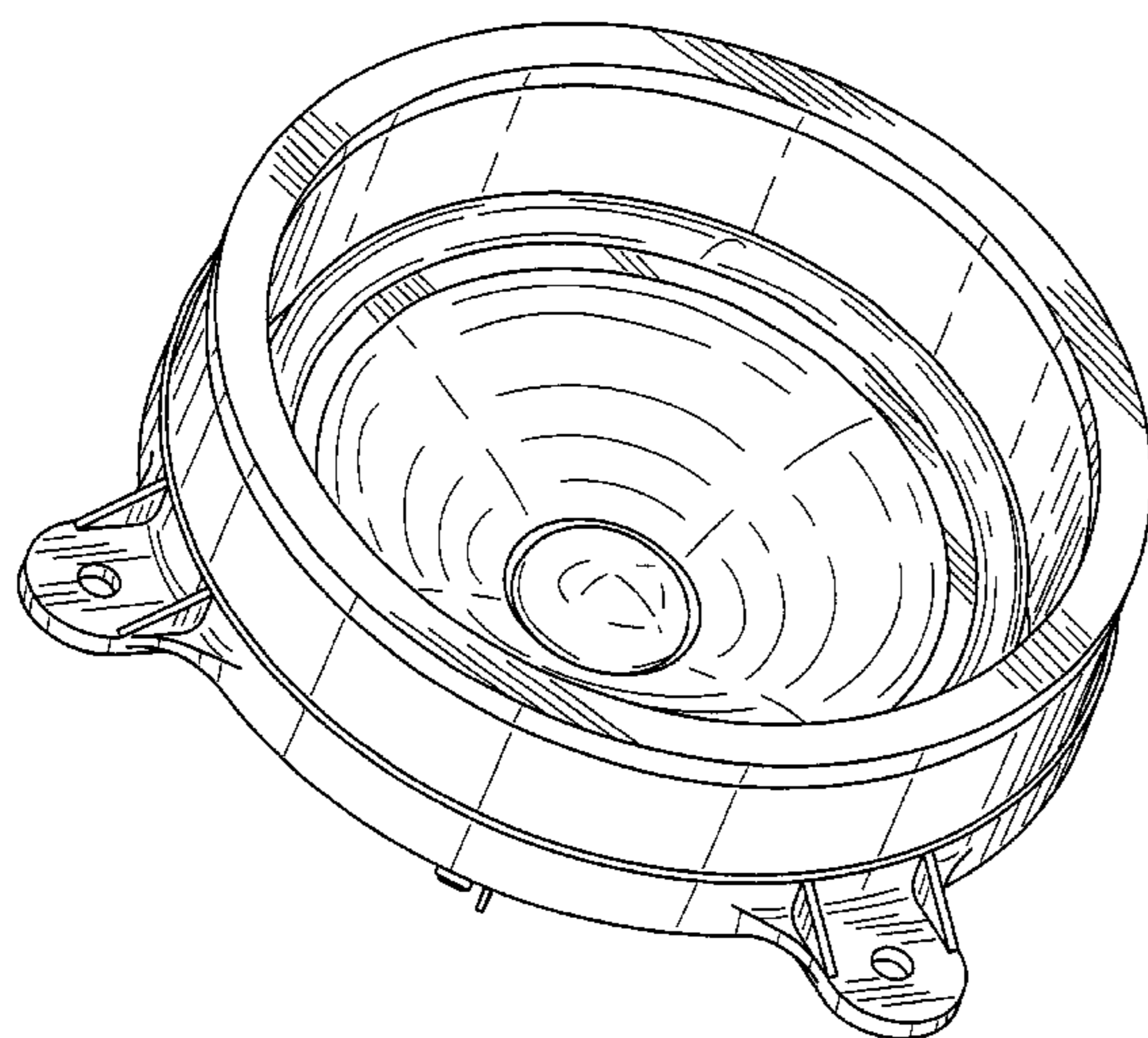


FIG.1

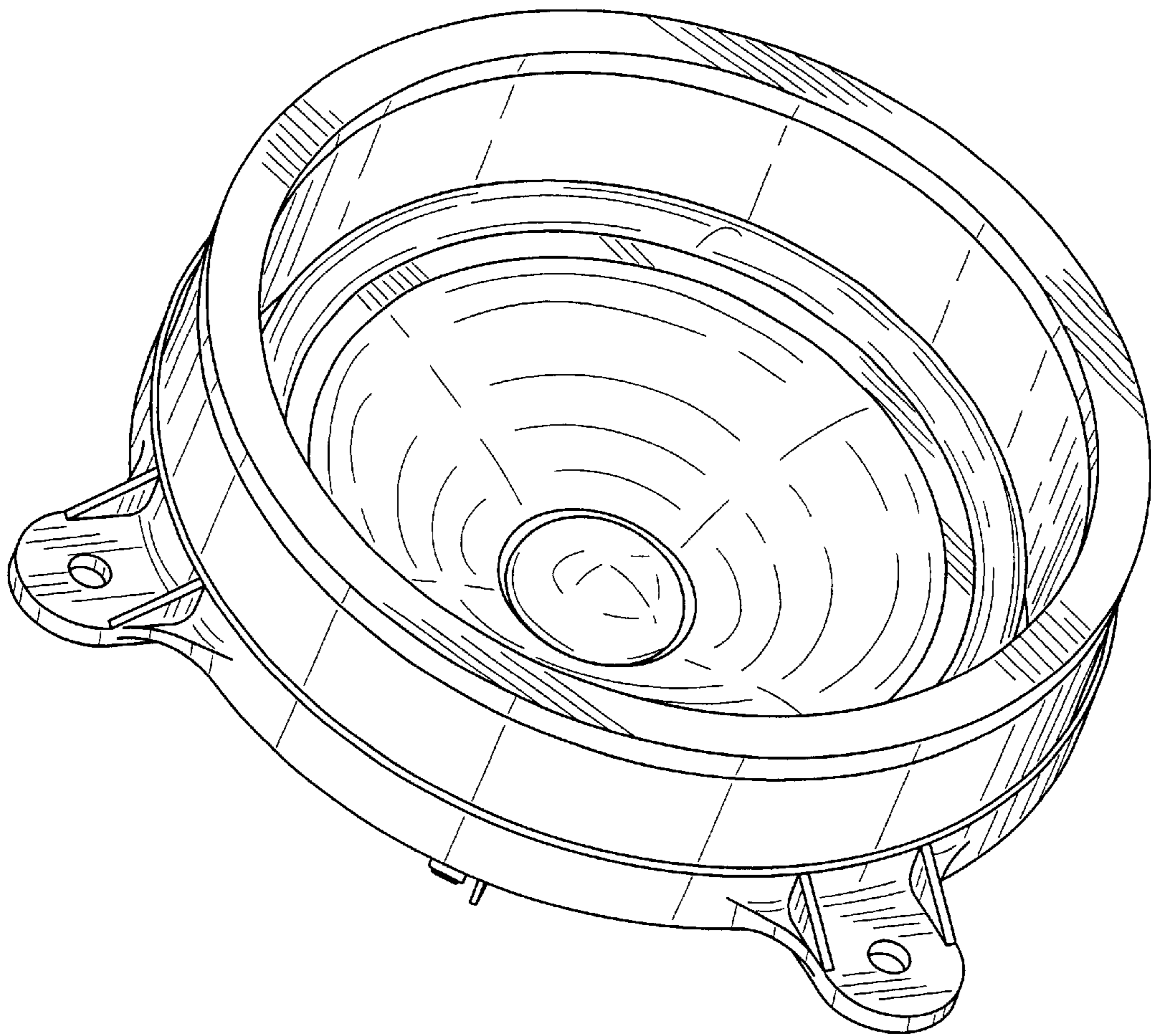


FIG.2

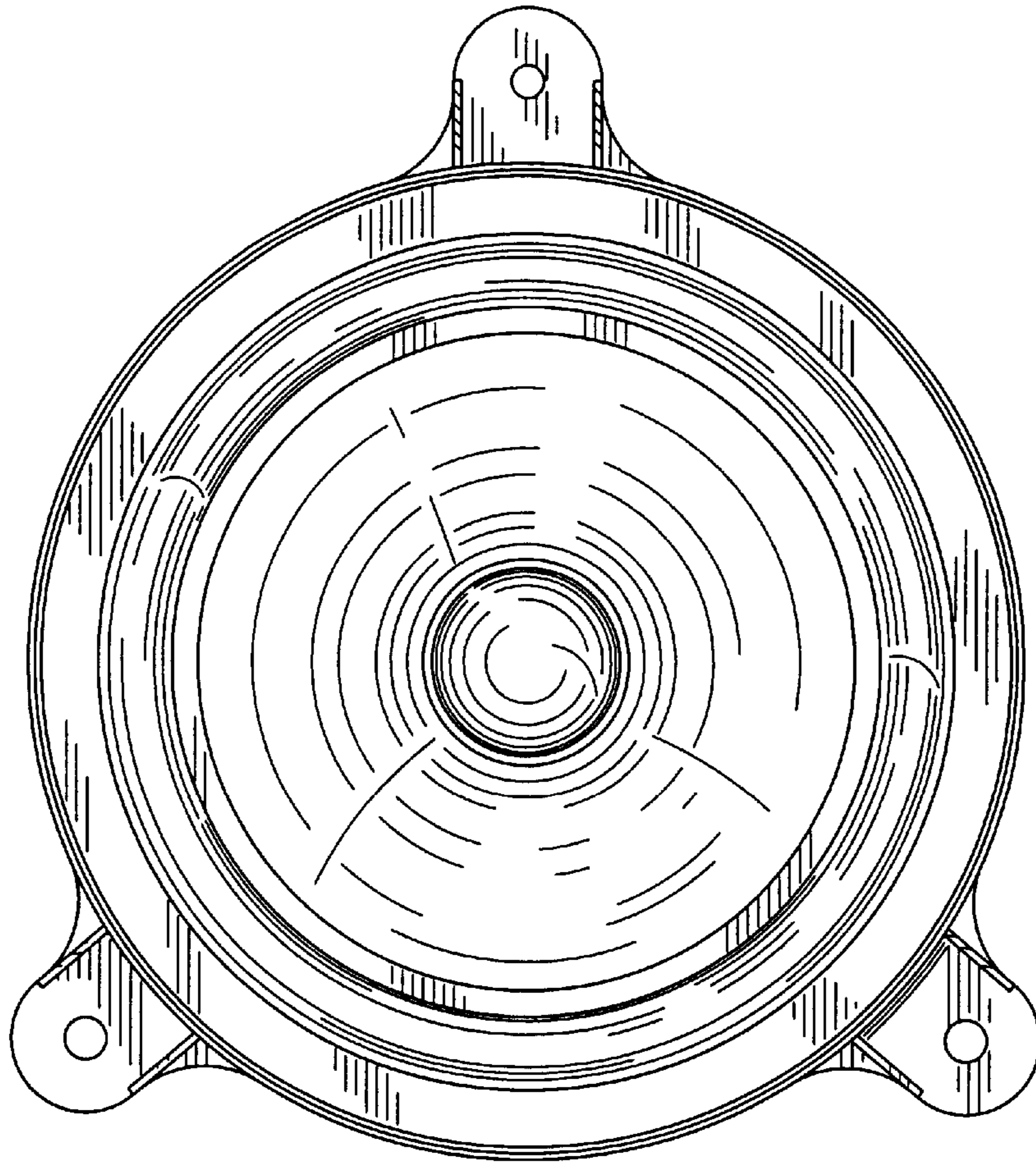


FIG.3

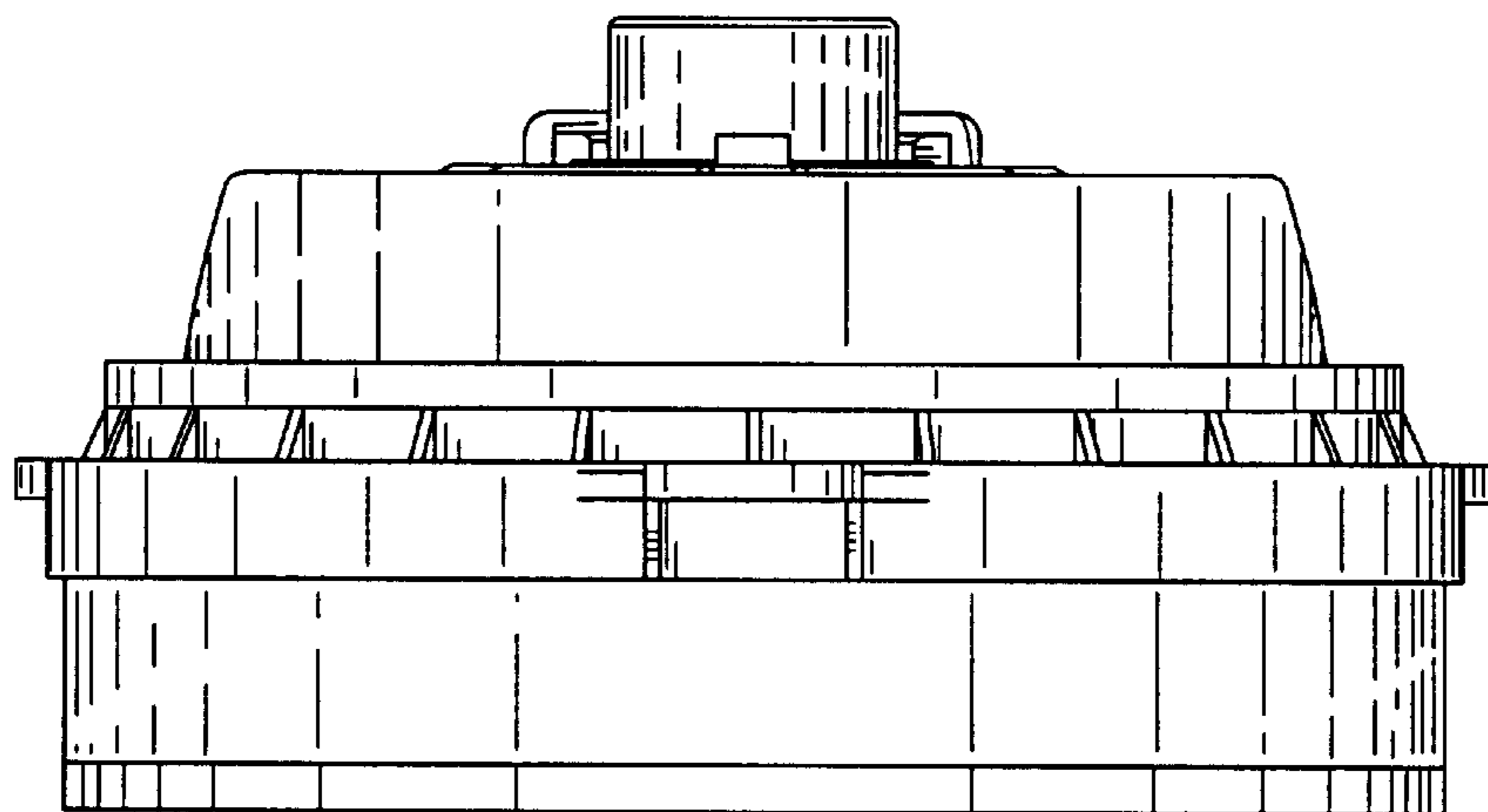


FIG.4

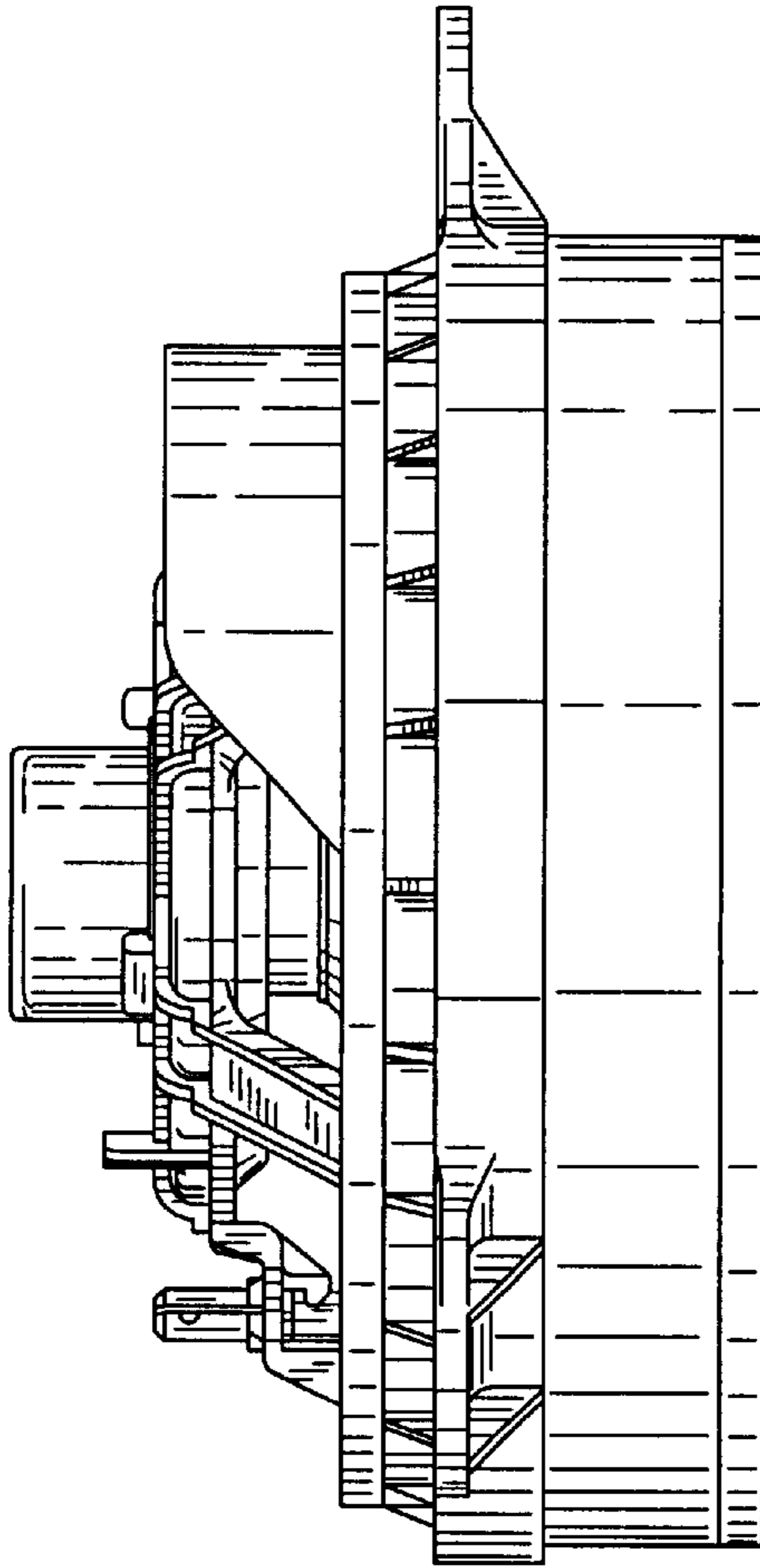


FIG.5

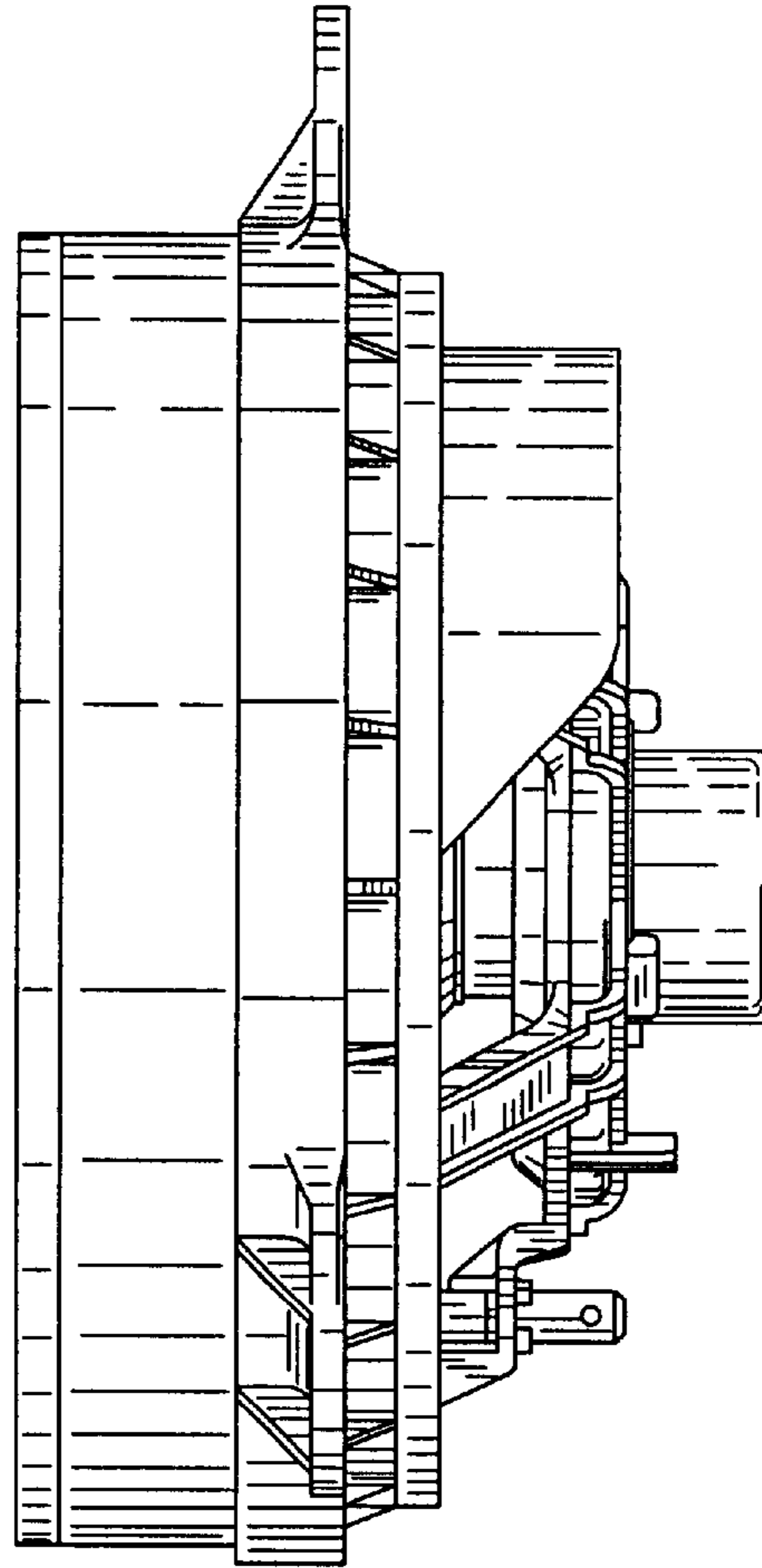


FIG.6

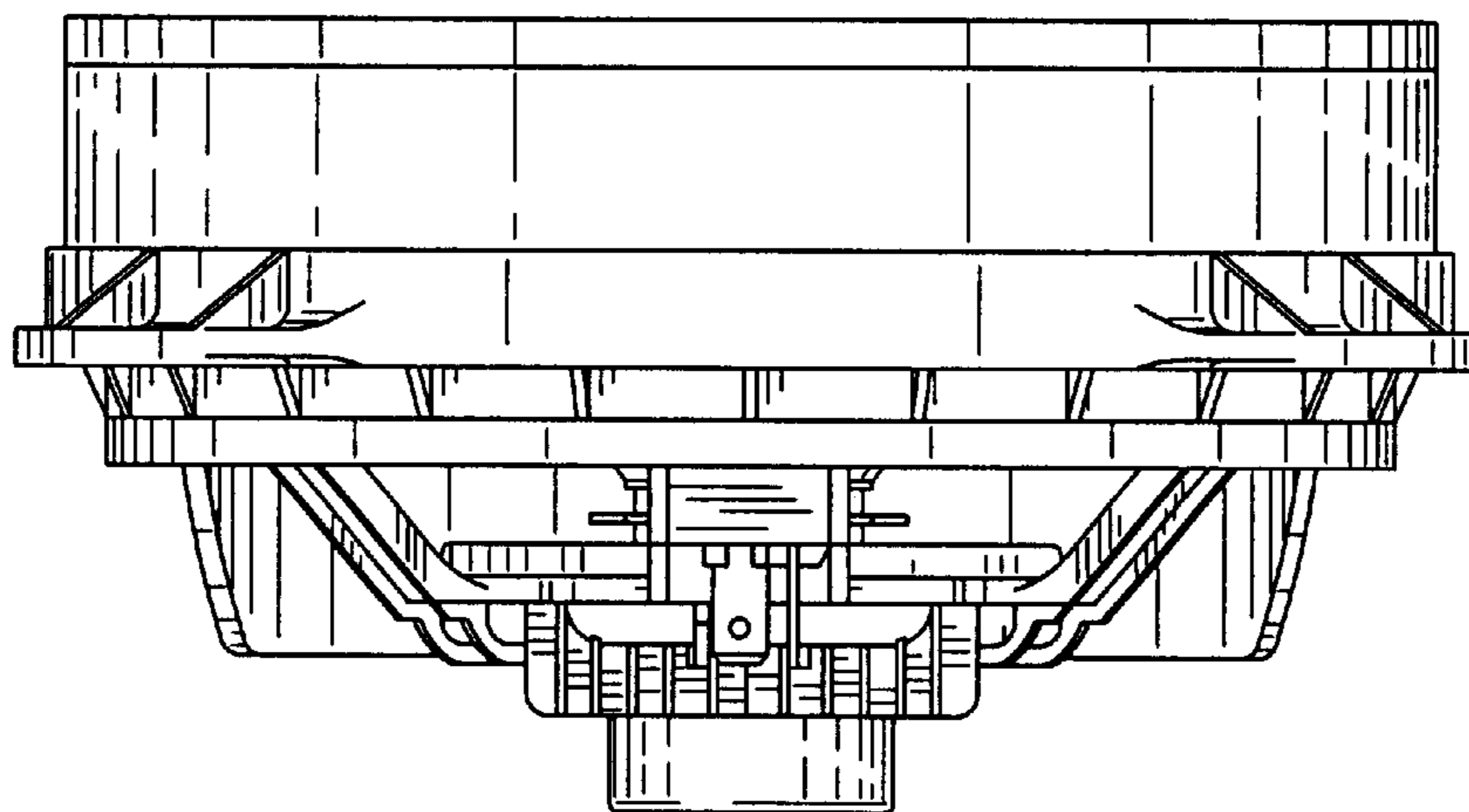


FIG.7

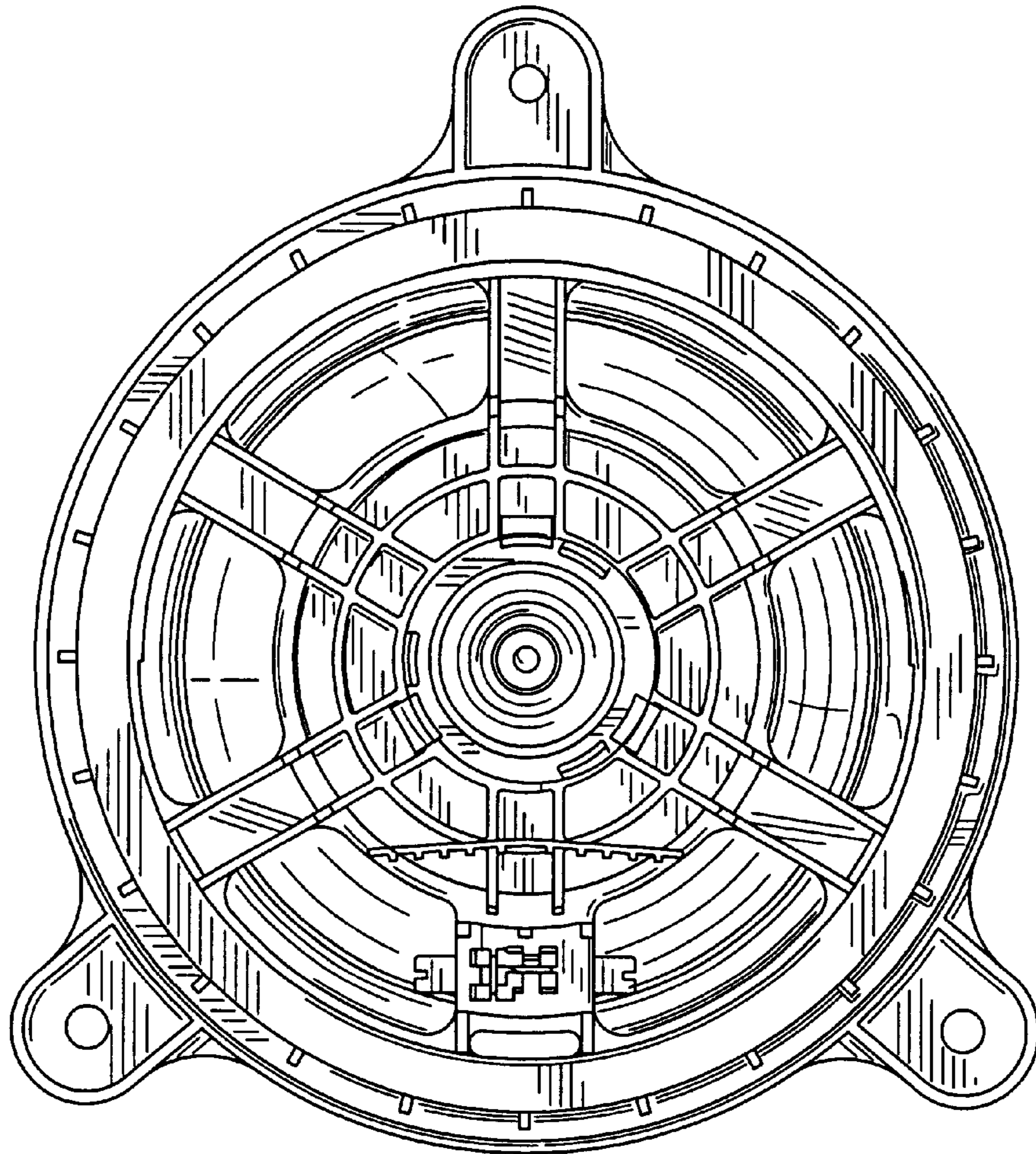


FIG.8

