



US00D526310S

(12) **United States Design Patent**
Pantaleone

(10) **Patent No.:** **US D526,310 S**

(45) **Date of Patent:** **** Aug. 8, 2006**

(54) **SPEAKER**

(75) Inventor: **Pietro Pantaleone**, Potenza Picena
(MC) (IT)

(73) Assignee: **Elettromedia SRL**, Potenza Picena (IT)

(**) Term: **14 Years**

(21) Appl. No.: **29/215,586**

(22) Filed: **Oct. 21, 2004**

(51) **LOC (8) Cl.** **14-01**

(52) **U.S. Cl.** **D14/221**

(58) **Field of Classification Search** D14/204,
D14/207, 209–216, 356; 181/143–144, 147–148,
181/150, 157, 198–199, 151, 153; 381/300–302,
381/306, 333, 345, 361–364, 386–388, 332,
381/336

See application file for complete search history.

(56) **References Cited**

U.S. PATENT DOCUMENTS

D253,108 S * 10/1979 Schroeder D14/216
D270,533 S * 9/1983 Piercy D14/224

D318,671 S * 7/1991 Naumann D14/224
D328,900 S * 8/1992 Harle D14/216
D432,118 S * 10/2000 Honnert D14/216
D451,908 S * 12/2001 Mackie et al. D14/224

* cited by examiner

Primary Examiner—Nanda Bondade

(74) *Attorney, Agent, or Firm*—Amster, Rothstein &
Ebenstein LLP

(57) **CLAIM**

The ornamental design for an speaker, as shown and described.

DESCRIPTION

FIG. 1 is a front elevational view of a speaker showing my new design;

FIG. 2 is side elevational view thereof, the opposite view being a mirror image;

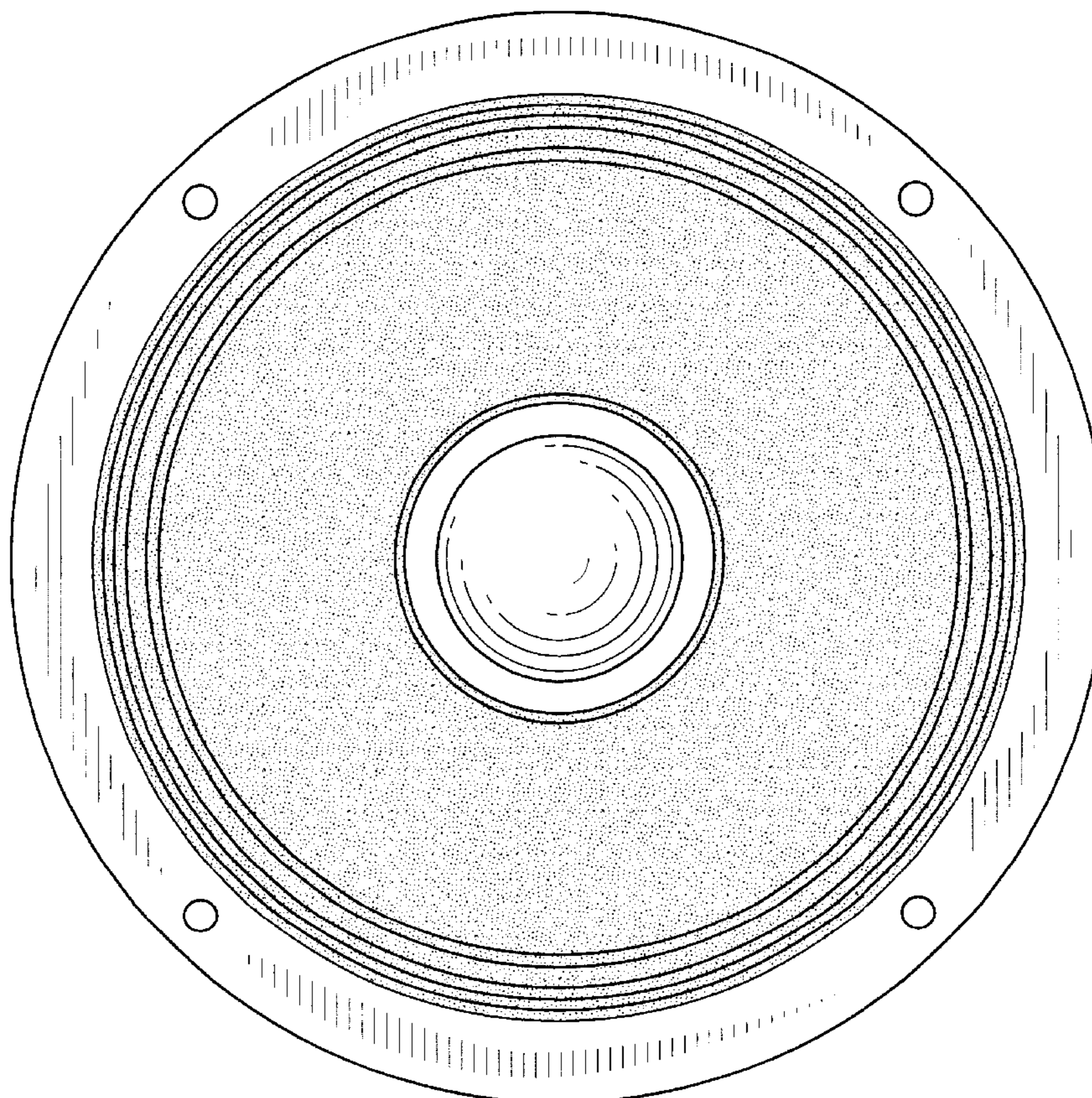
FIG. 3 is a rear elevational view thereof;

FIG. 4 is a top plan view thereof;

FIG. 5 is a bottom plan view thereof; and,

FIG. 6 is a perspective view thereof.

1 Claim, 3 Drawing Sheets



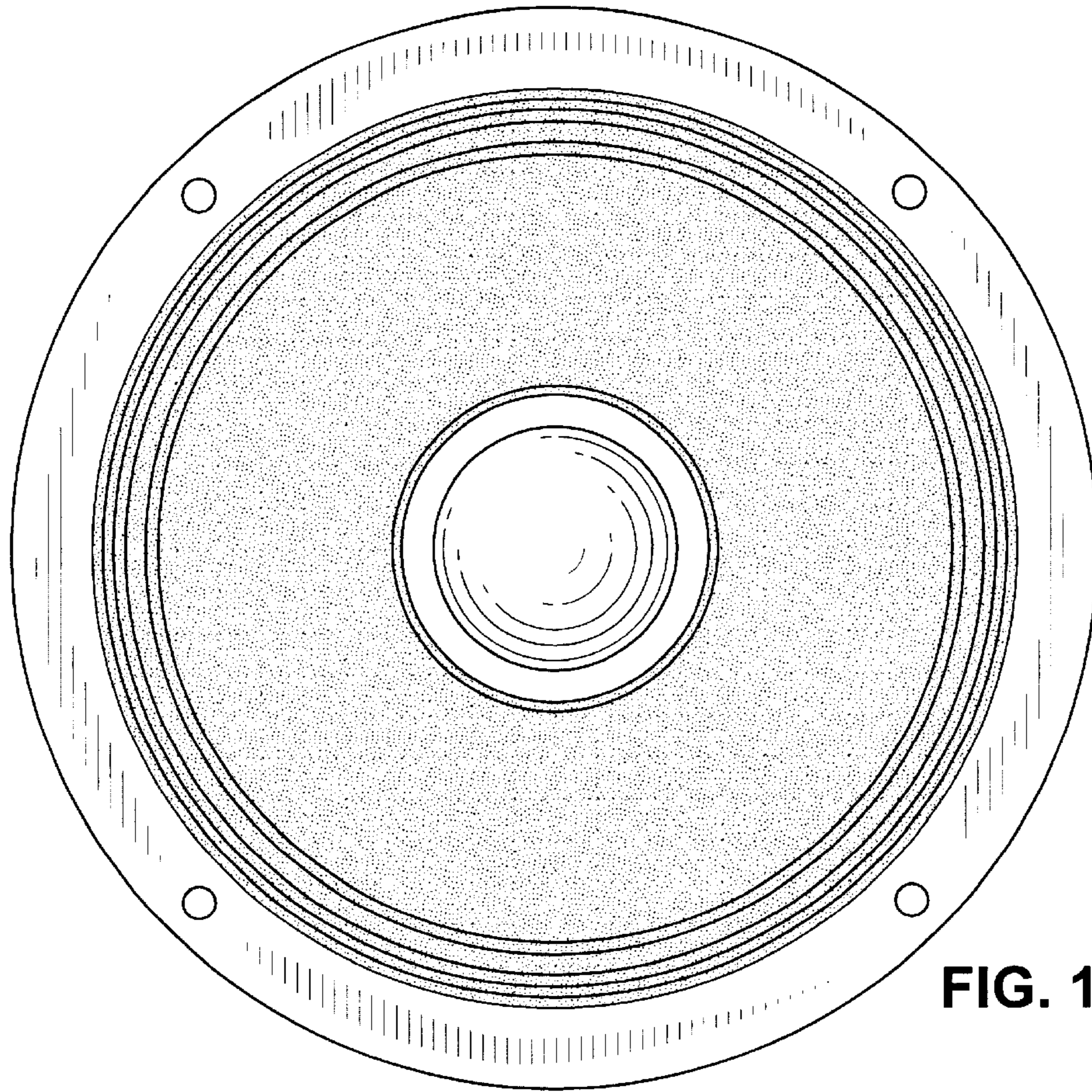


FIG. 1

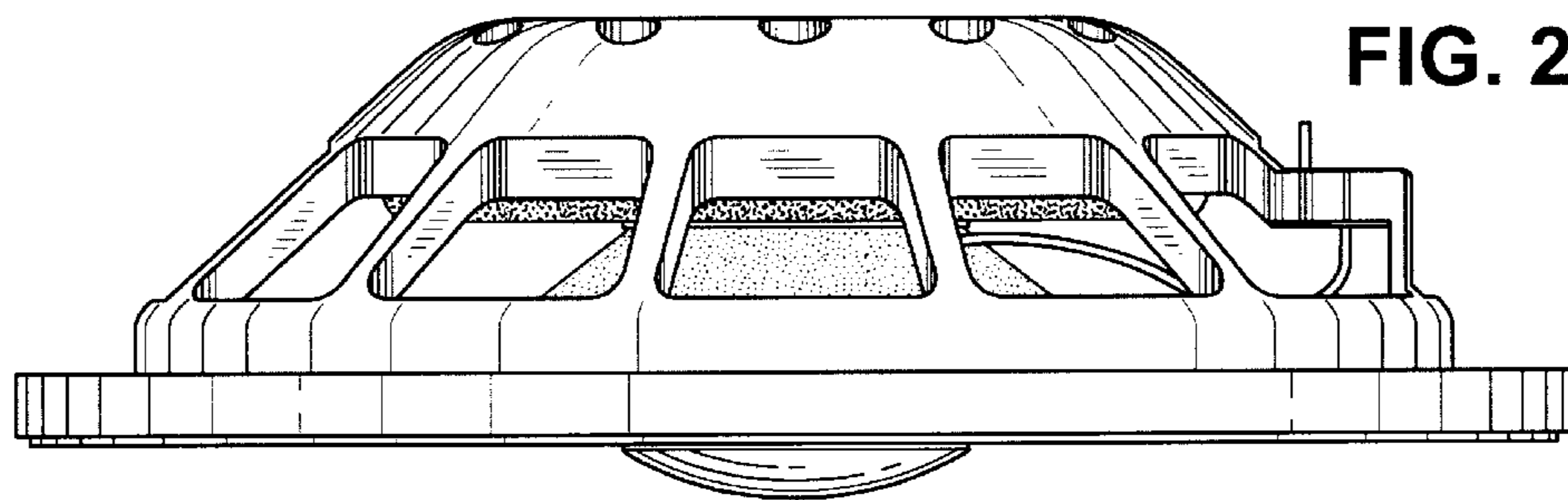


FIG. 2

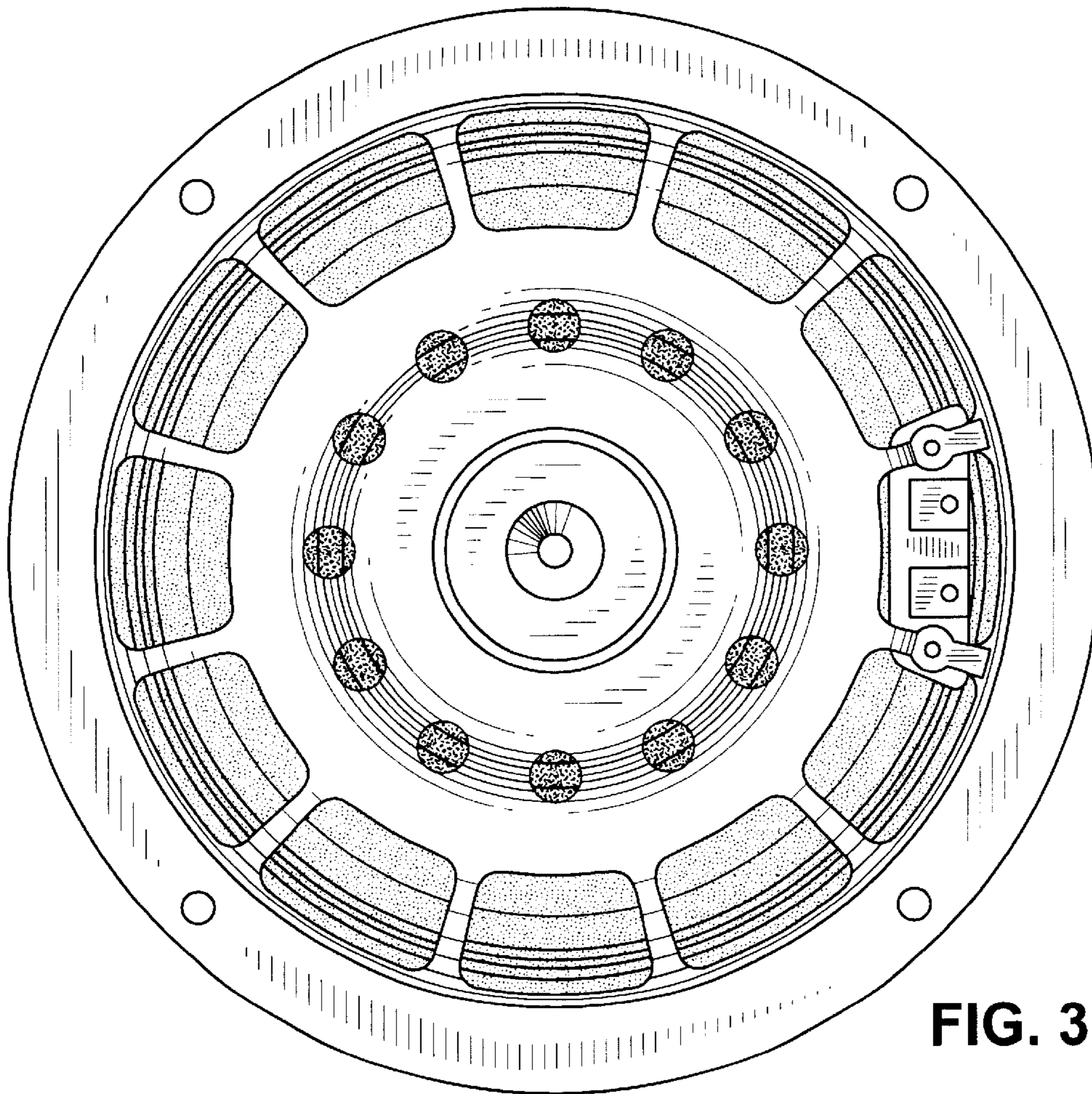


FIG. 3

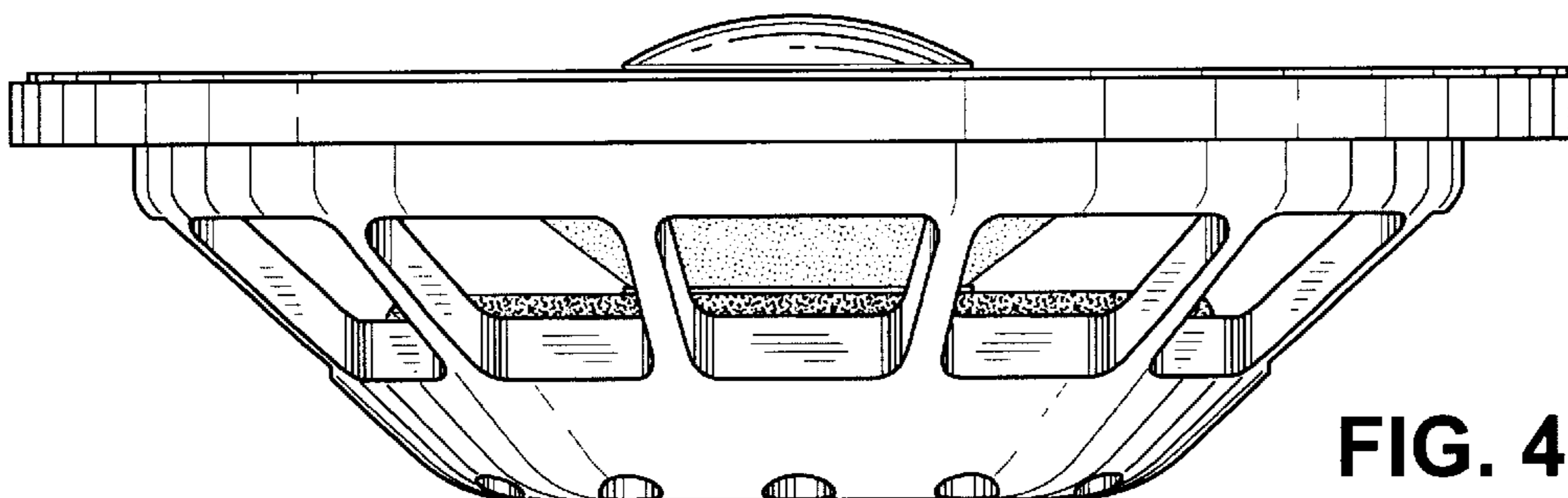


FIG. 4

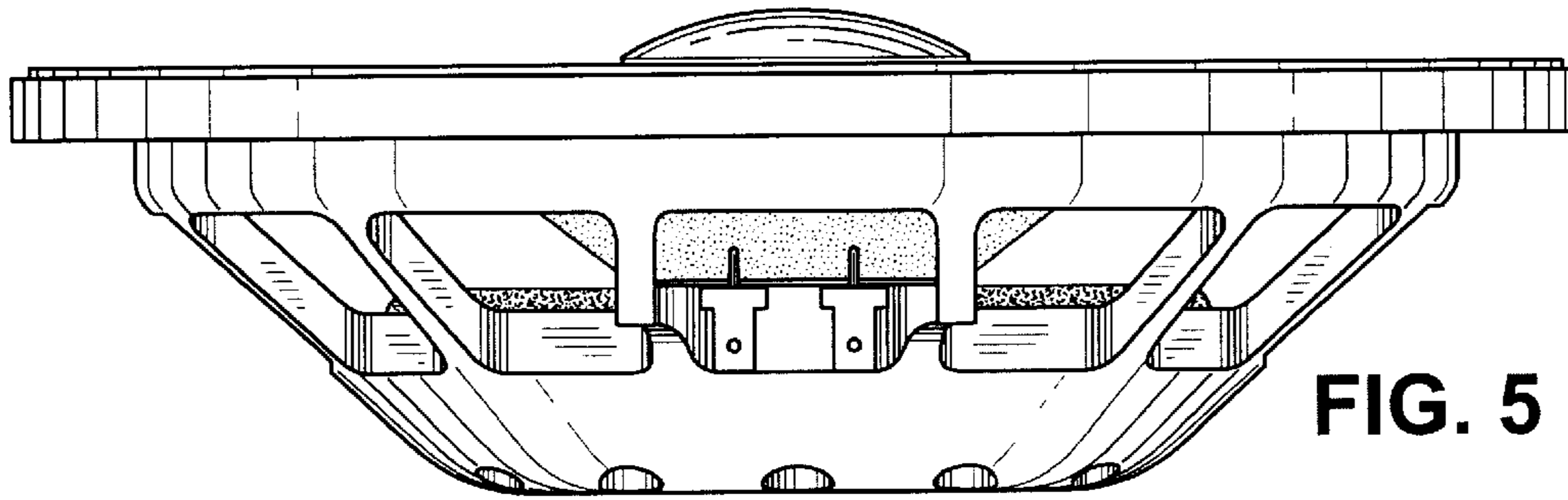


FIG. 5

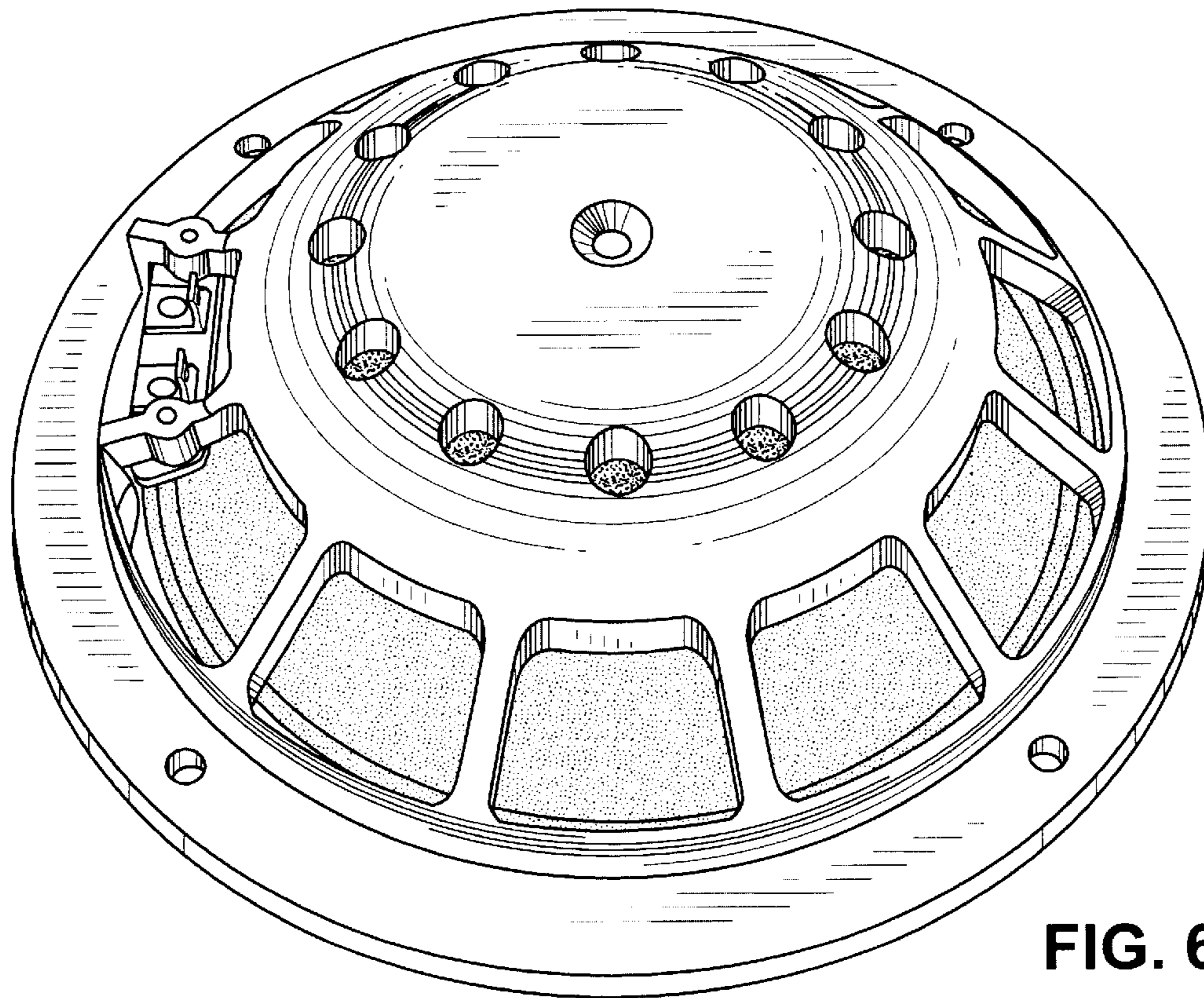


FIG. 6