



US00D526305S

(12) **United States Design Patent**
Beard

(10) **Patent No.:** **US D526,305 S**

(45) **Date of Patent:** **** Aug. 8, 2006**

(54) **CELL PHONE HOUSING**

6,052,567 A * 4/2000 Ito et al. 455/575.7

(76) Inventor: **Thomas E. Beard**, 4444 Moore La.,
Healdsburg, CA (US) 95448

(Continued)

(**) Term: **14 Years**

(21) Appl. No.: **29/228,116**

(22) Filed: **Apr. 20, 2005**

(51) **LOC (8) Cl.** **14-03**

(52) **U.S. Cl.** **D14/138; D14/143**

(58) **Field of Classification Search** D14/138,
D14/142, 143, 147, 148, 149, 151, 243, 249,
D14/251-253; D17/14; D21/405, 517; 455/90.3,
455/556.1, 556.2, 566, 575.1; 379/433.01-433.13,
379/434

See application file for complete search history.

(56) **References Cited**

U.S. PATENT DOCUMENTS

| | | | | | |
|-------------|---|---------|-----------------|-------|------------|
| D164,227 S | * | 8/1951 | Fender | | D17/14 |
| D197,627 S | * | 3/1964 | Burns | | D17/14 |
| D215,354 S | * | 9/1969 | Broussard | | D17/14 |
| D248,254 S | * | 6/1978 | Miller | | D26/94 |
| D258,290 S | * | 2/1981 | Hayashi | | D17/14 |
| D258,363 S | * | 2/1981 | Weindel et al. | | D17/1 |
| D258,739 S | * | 3/1981 | Todd, III | | D17/14 |
| D269,180 S | * | 5/1983 | Ridings | | D14/189 |
| D274,733 S | * | 7/1984 | Hampton et al. | | D17/14 |
| D276,722 S | * | 12/1984 | Festa | | D14/143 |
| D280,521 S | * | 9/1985 | Wechter | | D17/19 |
| D286,400 S | * | 10/1986 | Moller | | D14/143 |
| D350,744 S | * | 9/1994 | Hino | | D14/138 |
| D371,126 S | * | 6/1996 | Bro | | D14/138 |
| D373,127 S | * | 8/1996 | Godee et al. | | D14/248 |
| 5,555,449 A | * | 9/1996 | Kim | | 455/575.7 |
| 5,706,332 A | * | 1/1998 | Nagai | | 455/575.3 |
| 5,715,311 A | * | 2/1998 | Sudo et al. | | 379/433.01 |
| D396,464 S | * | 7/1998 | Bradford | | D14/138 |
| D406,587 S | * | 3/1999 | Wicks et al. | | D14/138 |
| 5,940,503 A | * | 8/1999 | Palett et al. | | 379/454 |
| D415,150 S | * | 10/1999 | Hasegawa et al. | | D14/138 |
| 5,982,883 A | * | 11/1999 | Alix et al. | | 379/433.12 |
| 6,052,464 A | * | 4/2000 | Harris et al. | | 379/433.07 |

OTHER PUBLICATIONS

“Telemania Gibson Guitar Novelty Telephone”, 2 pages,
[online], URL:// <http://64.233.161.104/search?q=cache:D4Sxokile9sJ:wantitnow.ebay.com/ws/eBay/ISAPI.dll%3FWantItNowView%26adid%3D6461821697+guitar+phone&hl=en>, cache as retrieved on Jan. 15, 2006.*
“Electric Guitar Phone”, 1 pg, page updated Mar. 9, 2001,
[online], <URL: [HTTP://www.noveltytelephone.com/products/electricguitar.html](http://www.noveltytelephone.com/products/electricguitar.html)> entered into Interent Archive Way-BackMachine at <<http://www.archive.org>>.*

Primary Examiner—Jeffrey D. Asch

Assistant Examiner—C. J. Wright

(74) *Attorney, Agent, or Firm*—Johnson & Stainbrook LLP;
Craig M. Stainbrook; Larry D. Johnson

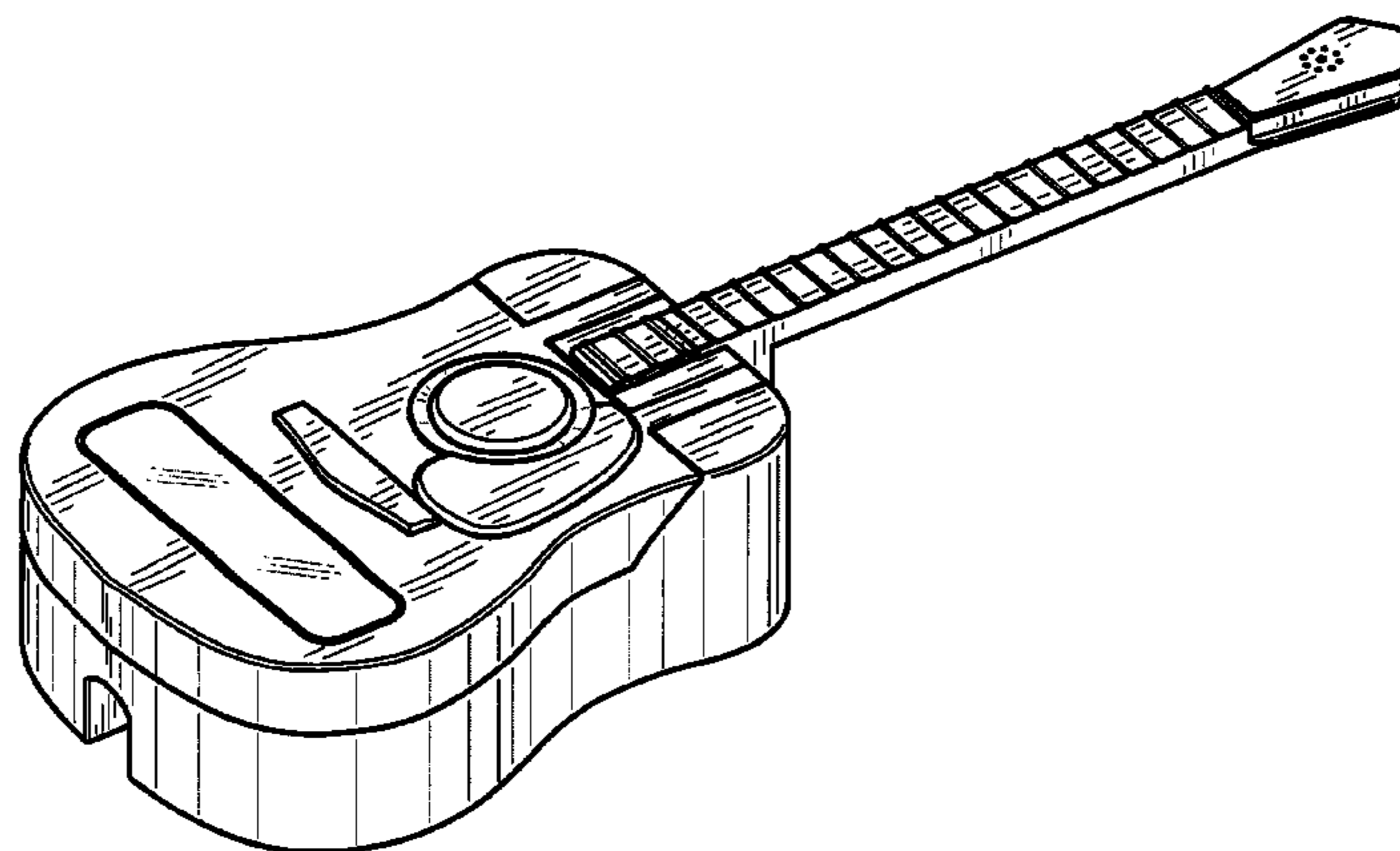
(57) **CLAIM**

The ornamental design for a cell phone housing, as shown and described.

DESCRIPTION

FIG. 1 is a lower right front perspective view in off mode. FIG. 2 is an upper left rear perspective view in off mode. FIG. 3 is a lower right front perspective view in answer mode. FIG. 4 is an upper left rear perspective view in answer mode. FIG. 5 is a front elevational view. FIG. 6 is a right side elevational view. FIG. 7 is a rear elevational view. FIG. 8 is a left side elevational view. FIG. 9 is a top plan view. FIG. 10 is a lower right front perspective view in open mode; FIG. 11 is a lower right front perspective view in open mode; and, FIG. 12 is an upper left rear perspective view in open mode. The broken line showing of the keypad buttons in FIG. 11 is for illustrative purposes only and forms no part of the claimed design.

1 Claim, 6 Drawing Sheets



US D526,305 S

Page 2

U.S. PATENT DOCUMENTS

| | | | | | | | | | |
|--------------|---|---------|---------------------|------------|------------|---|---------|--------------------|---------|
| D424,051 S | * | 5/2000 | Wicks et al. | D14/138 | D483,794 S | * | 12/2003 | Kwon | D17/14 |
| 6,101,402 A | * | 8/2000 | Bartha et al. | 455/569.1 | D496,958 S | * | 10/2004 | Amiya | D17/14 |
| 6,137,883 A | * | 10/2000 | Kaschke et al. | 379/433.07 | D509,200 S | * | 9/2005 | Harris | D14/138 |
| 6,192,221 B1 | * | 2/2001 | Hasegawa | 455/575.3 | D510,333 S | * | 10/2005 | Lodato et al. | D14/138 |
| D460,953 S | * | 7/2002 | Argle et al. | D14/138 | | | | | |

* cited by examiner

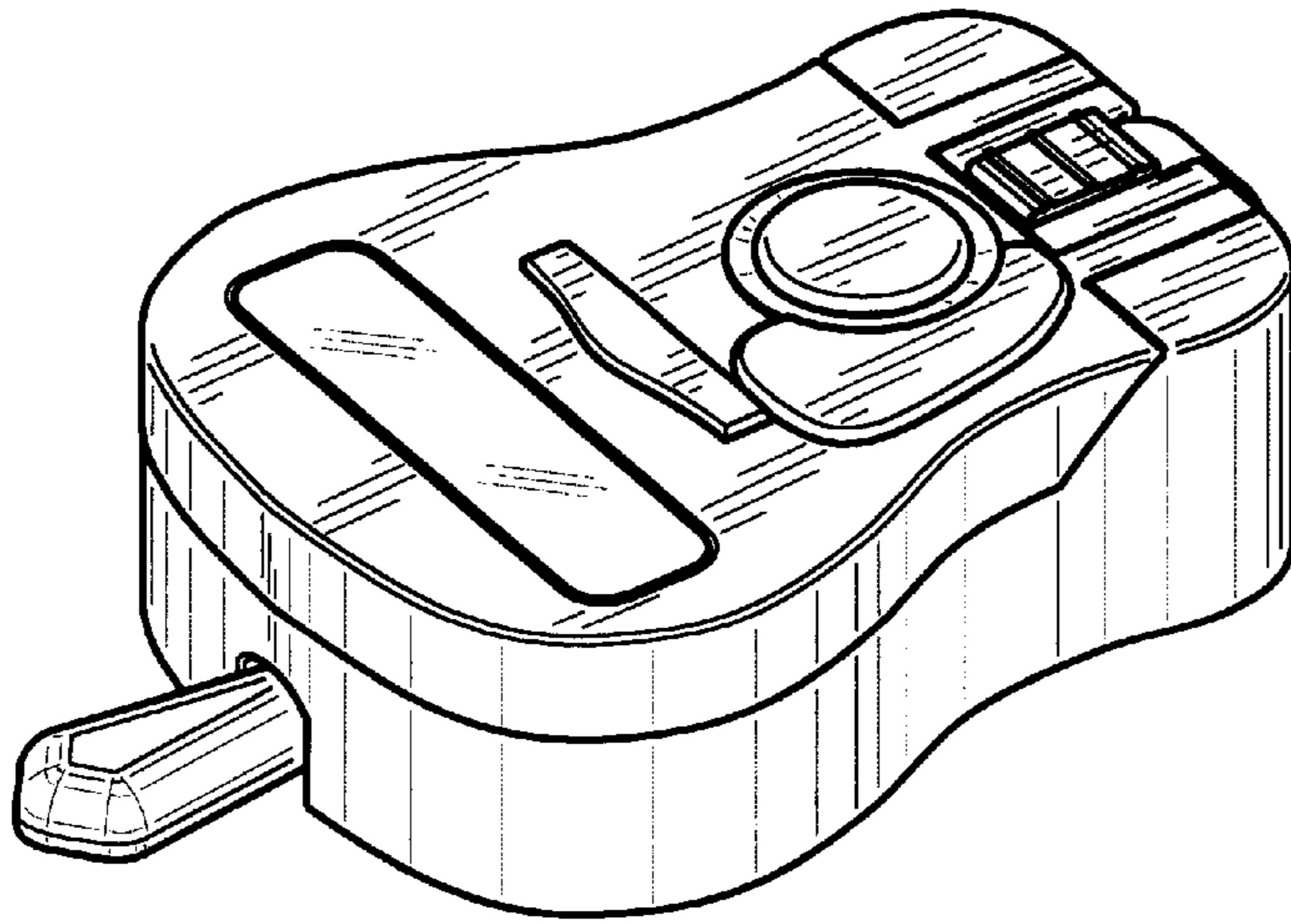


FIG. 1

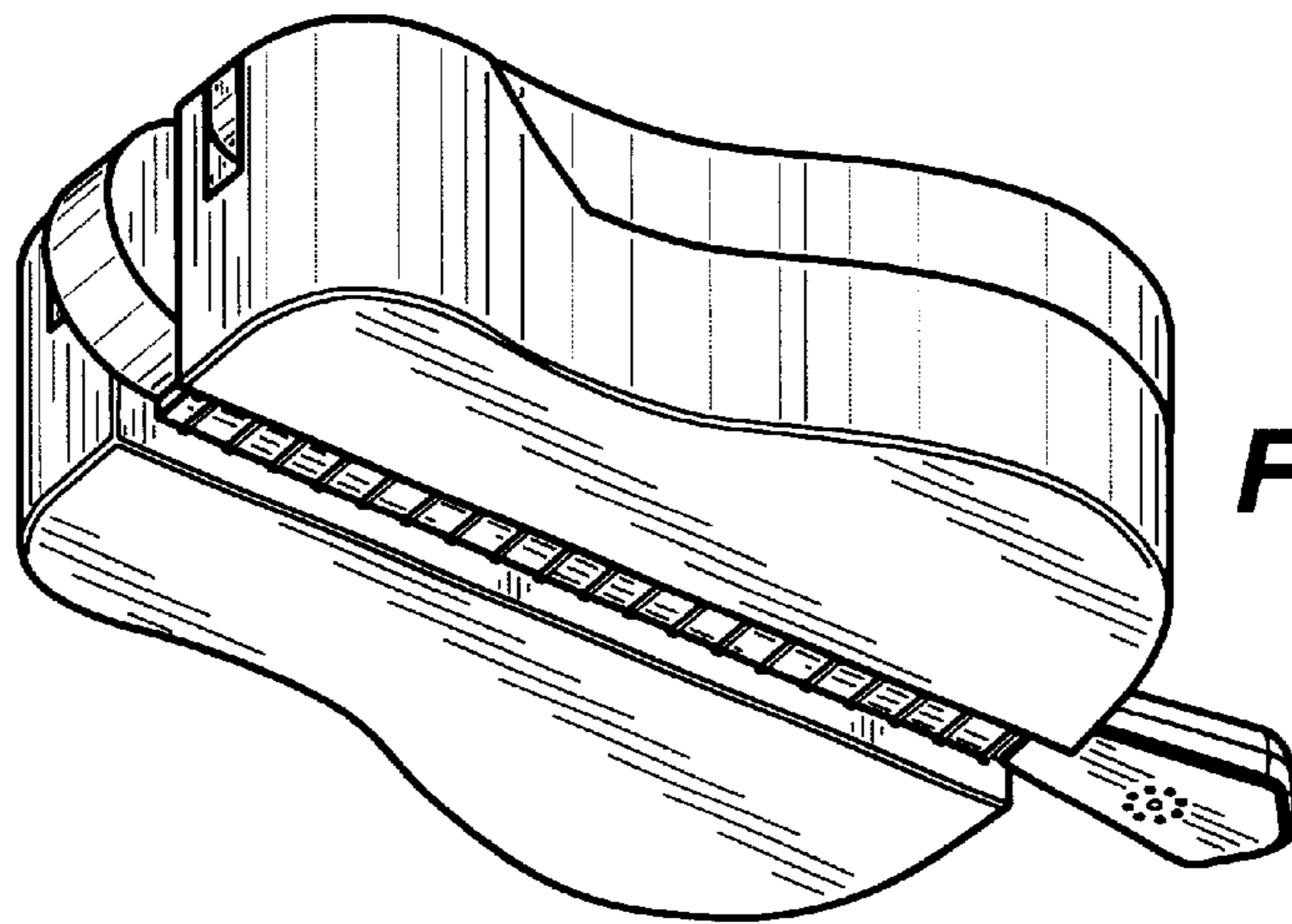


FIG. 2

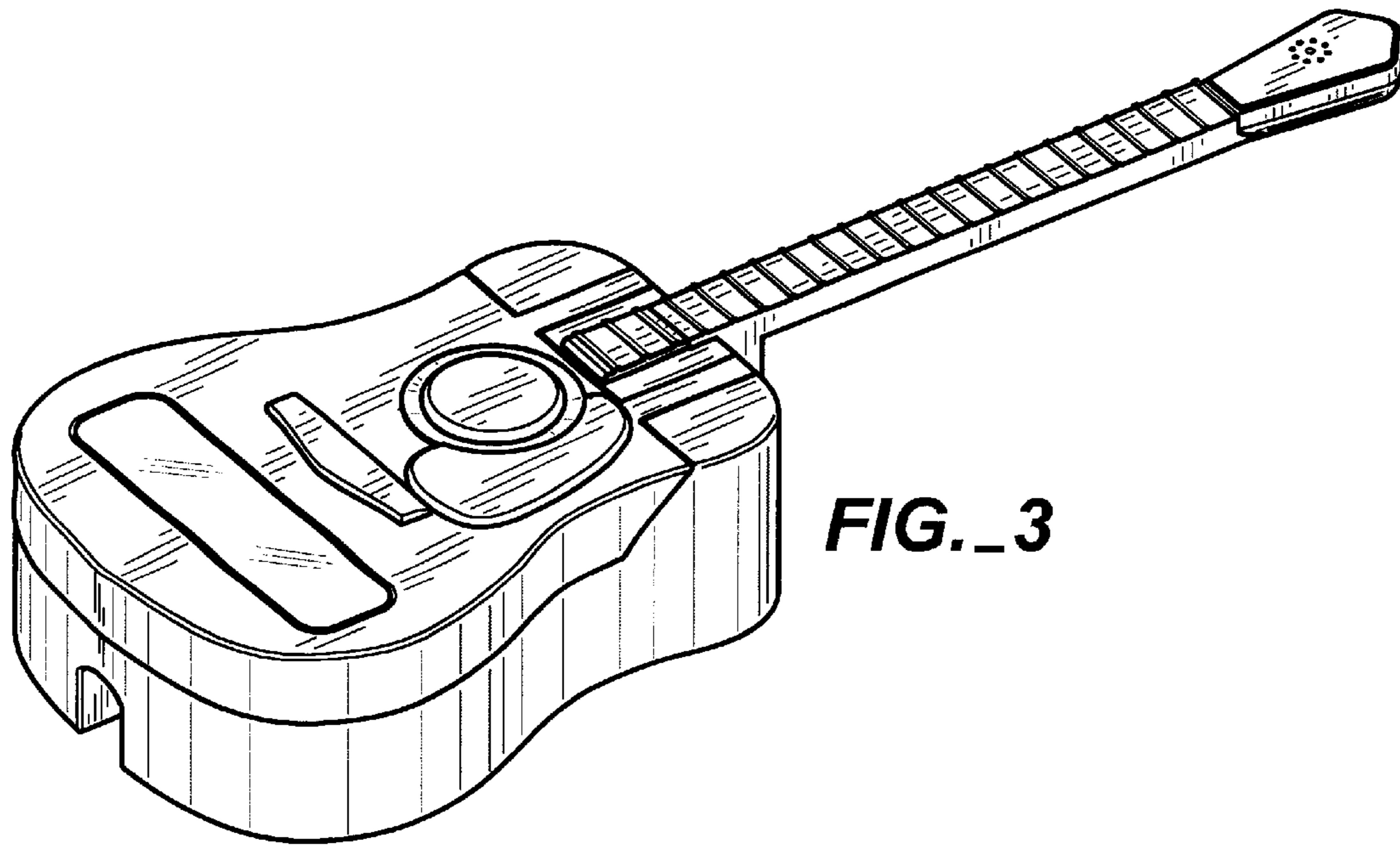


FIG._3

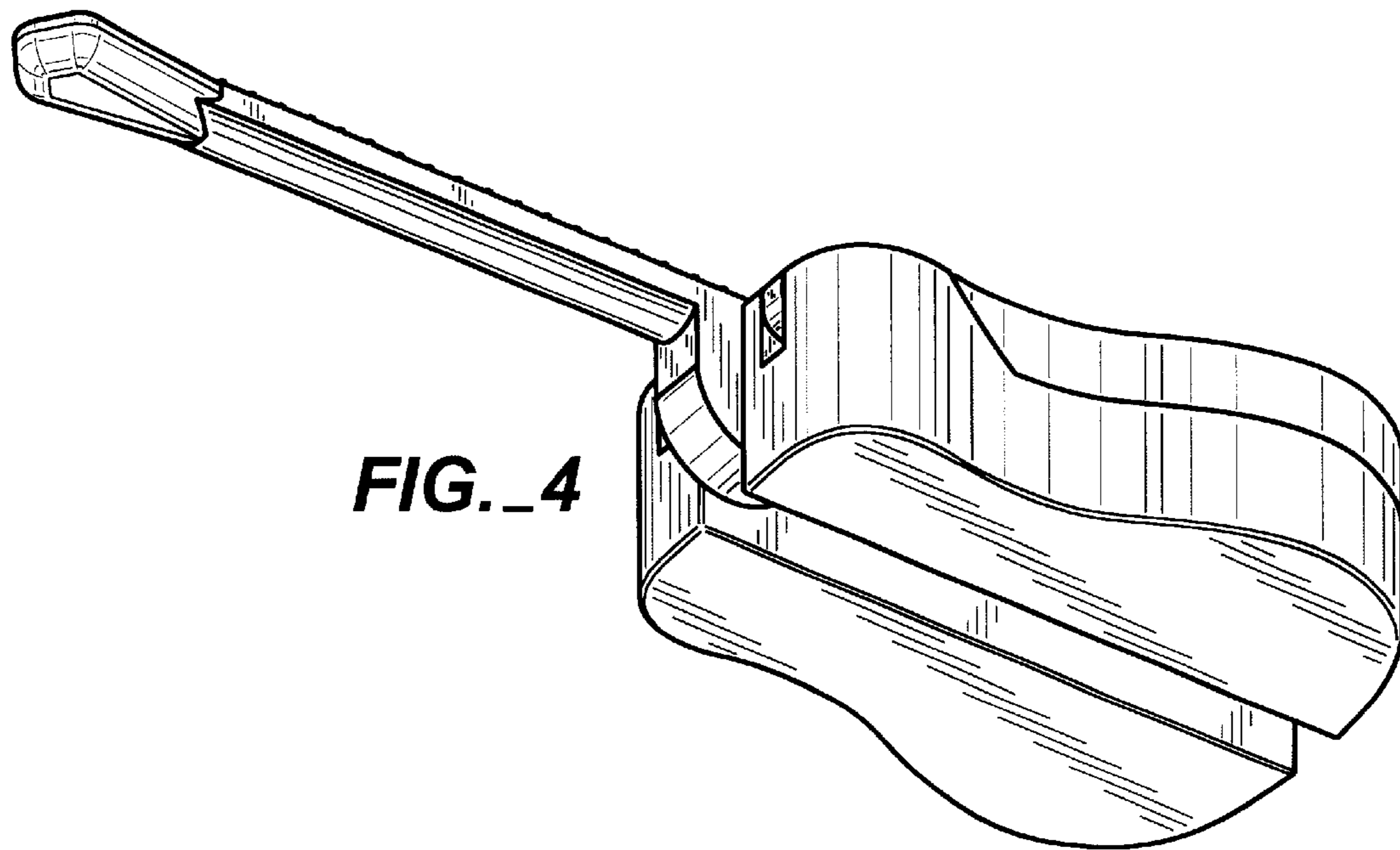


FIG._4

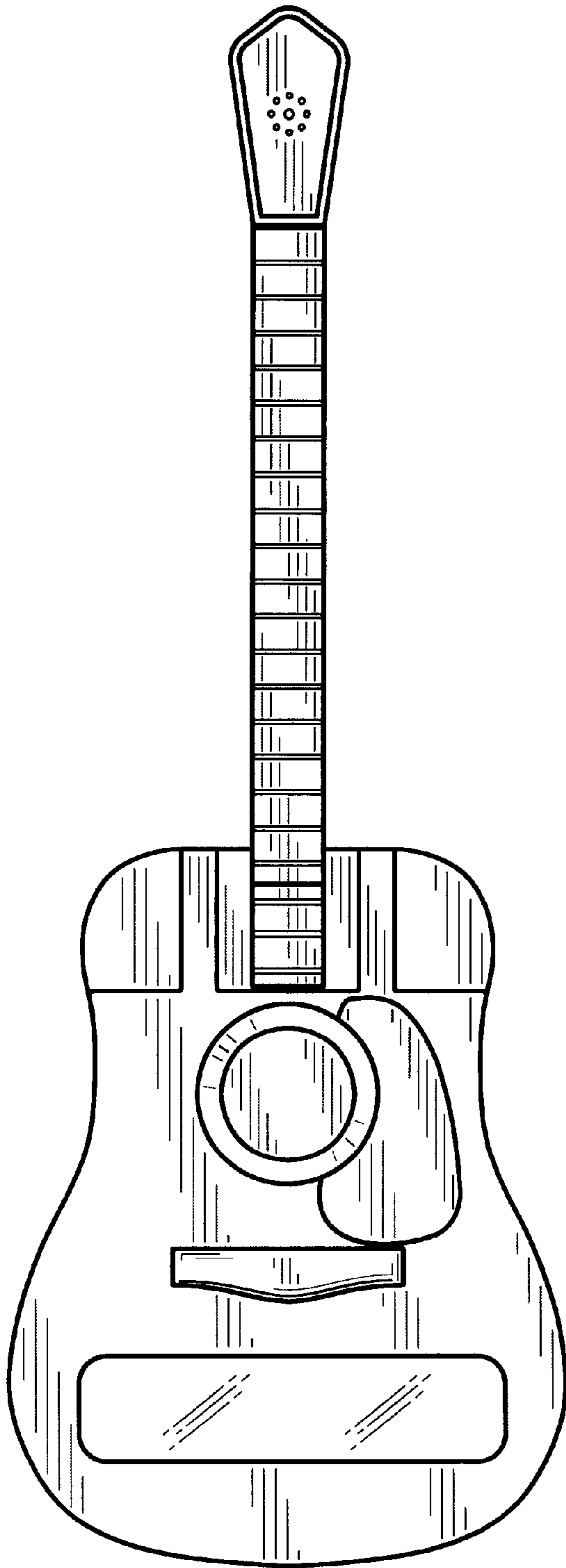


FIG._5

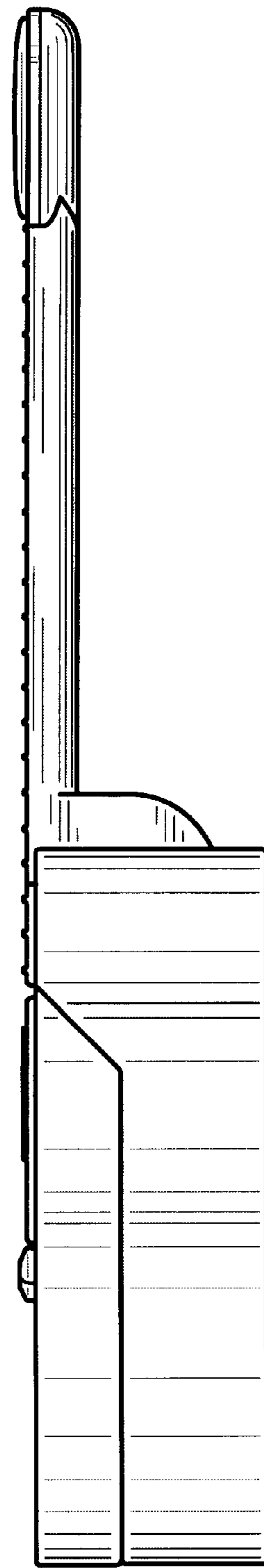


FIG._6

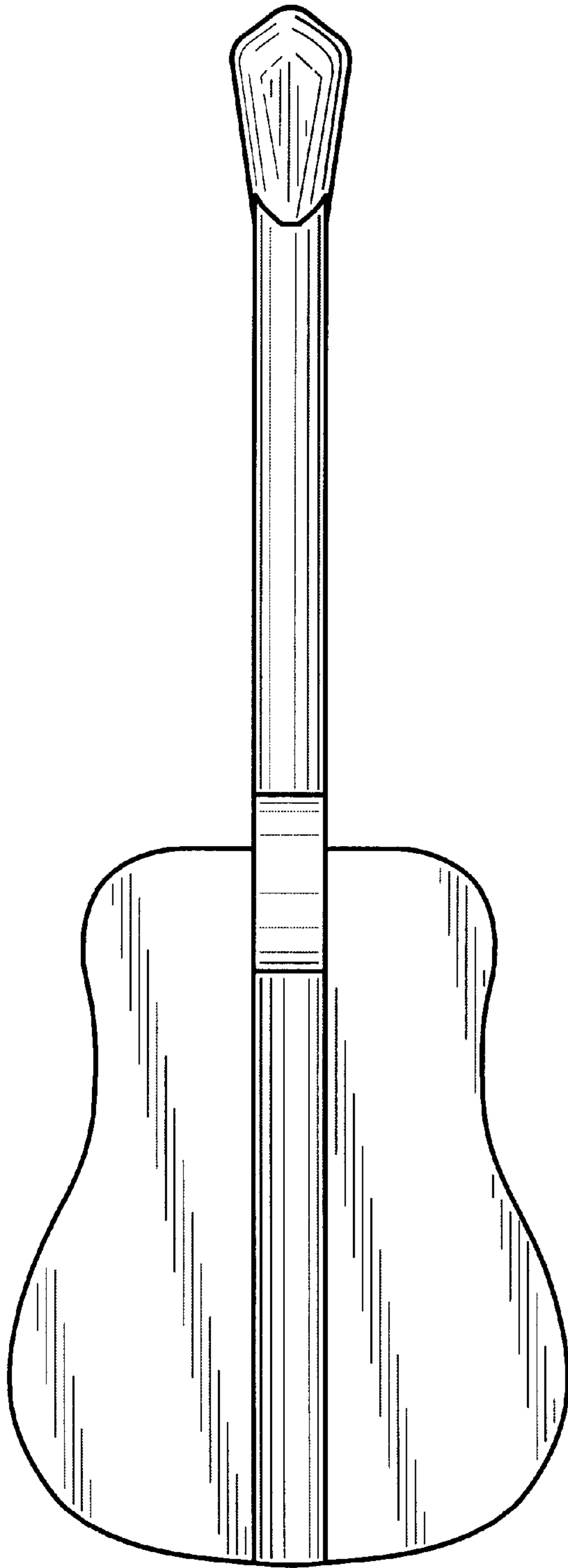


FIG. 7

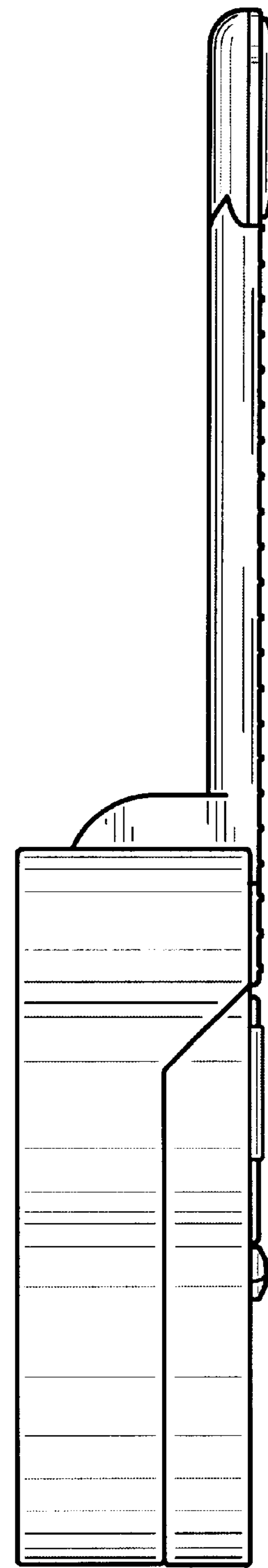


FIG. 8

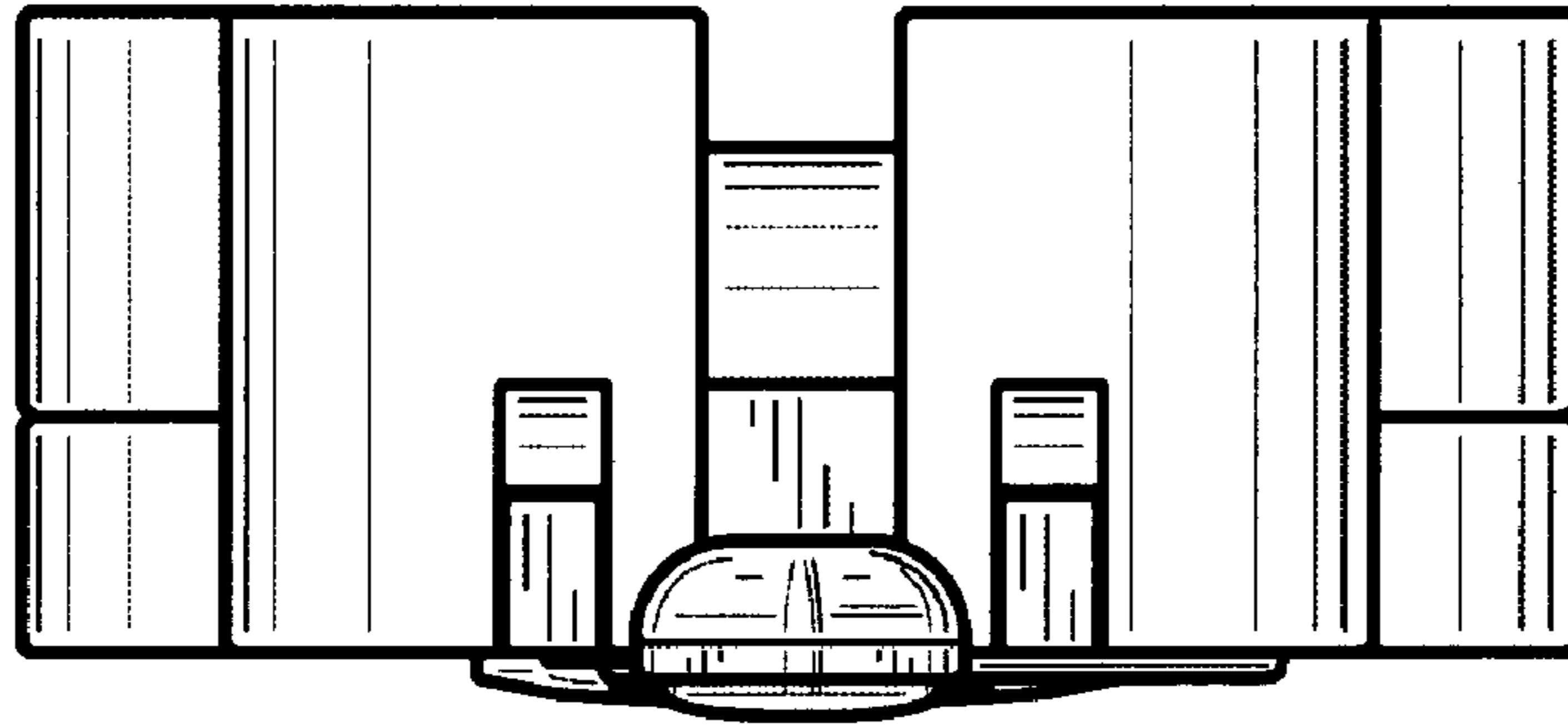


FIG._9

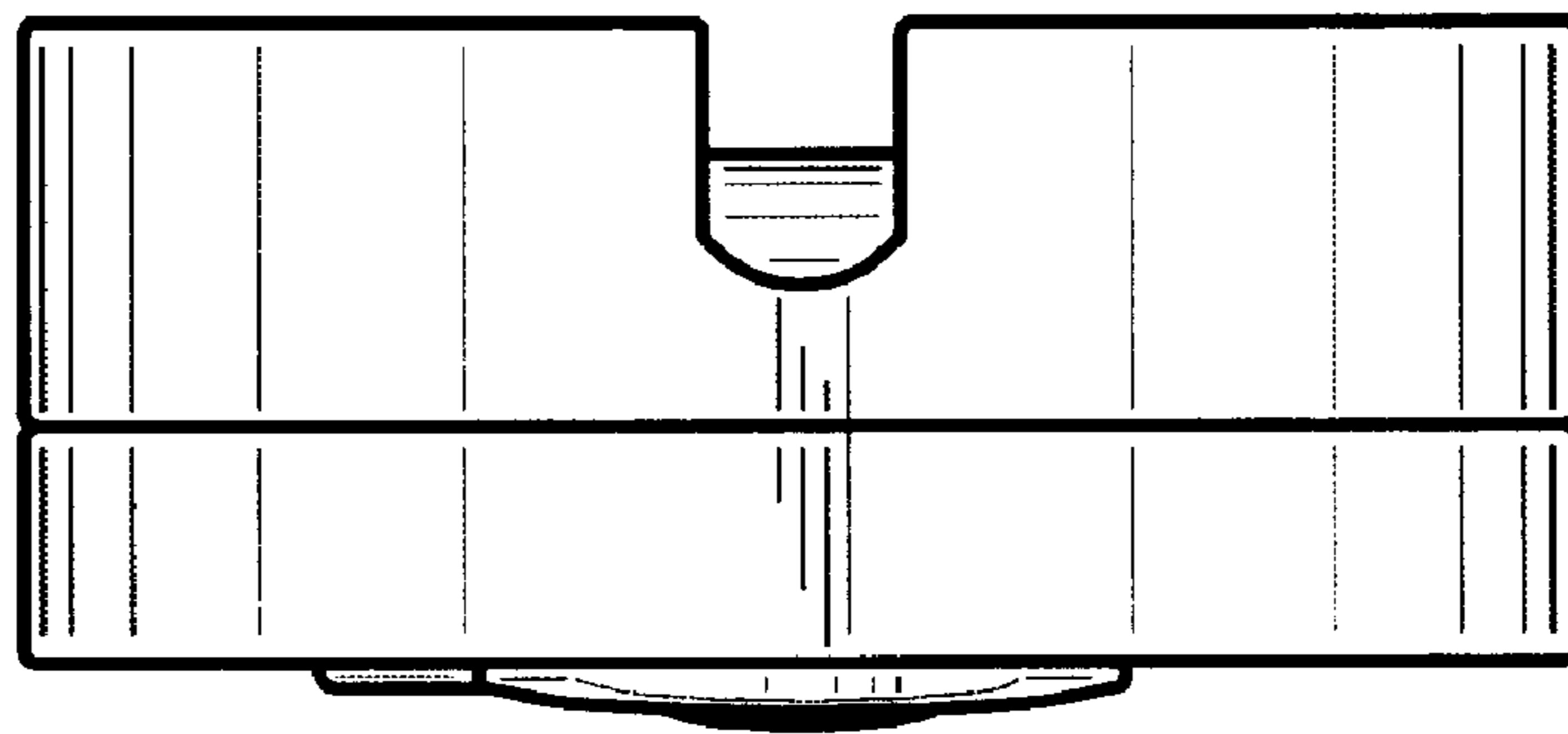


FIG._10

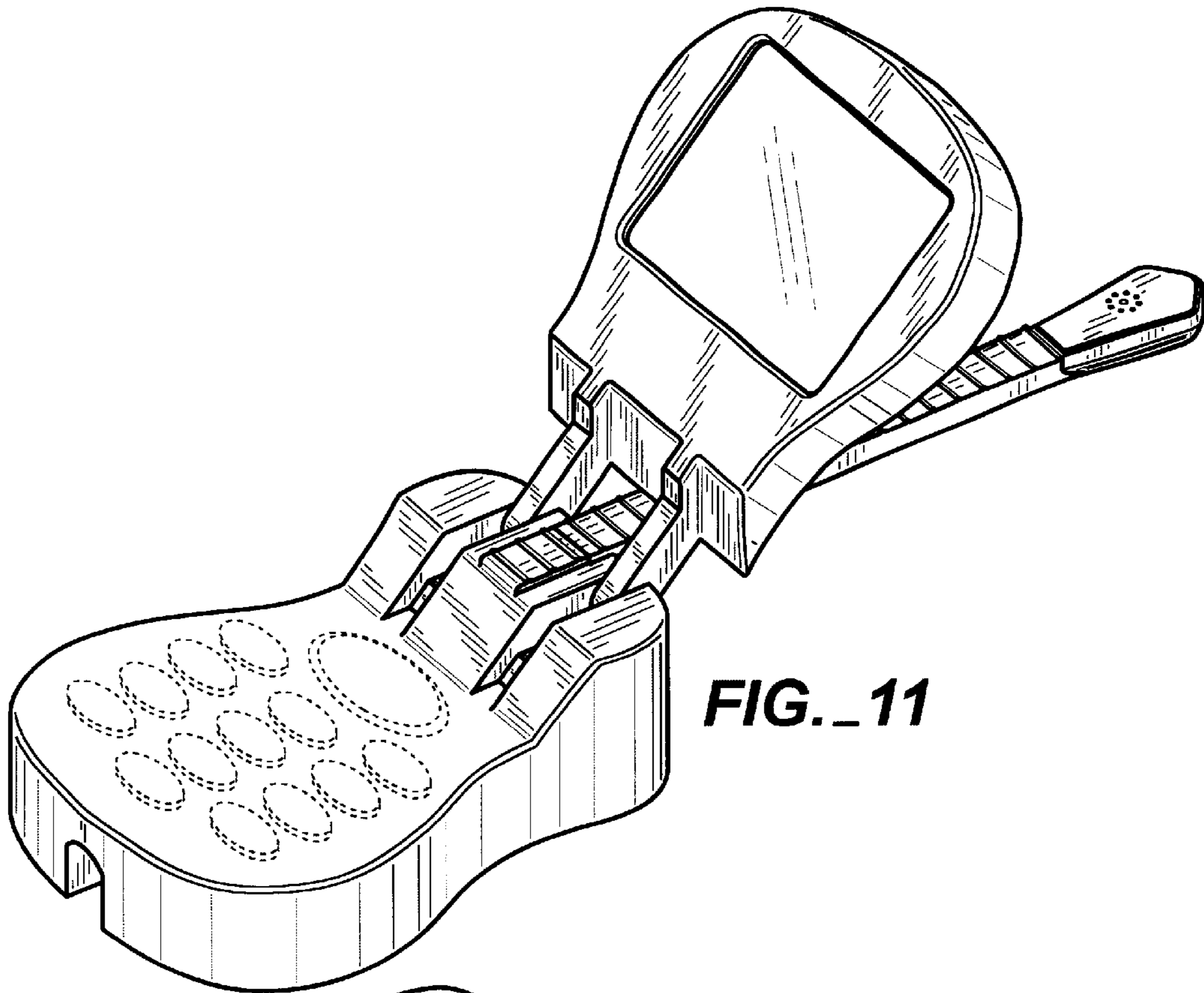


FIG. 11

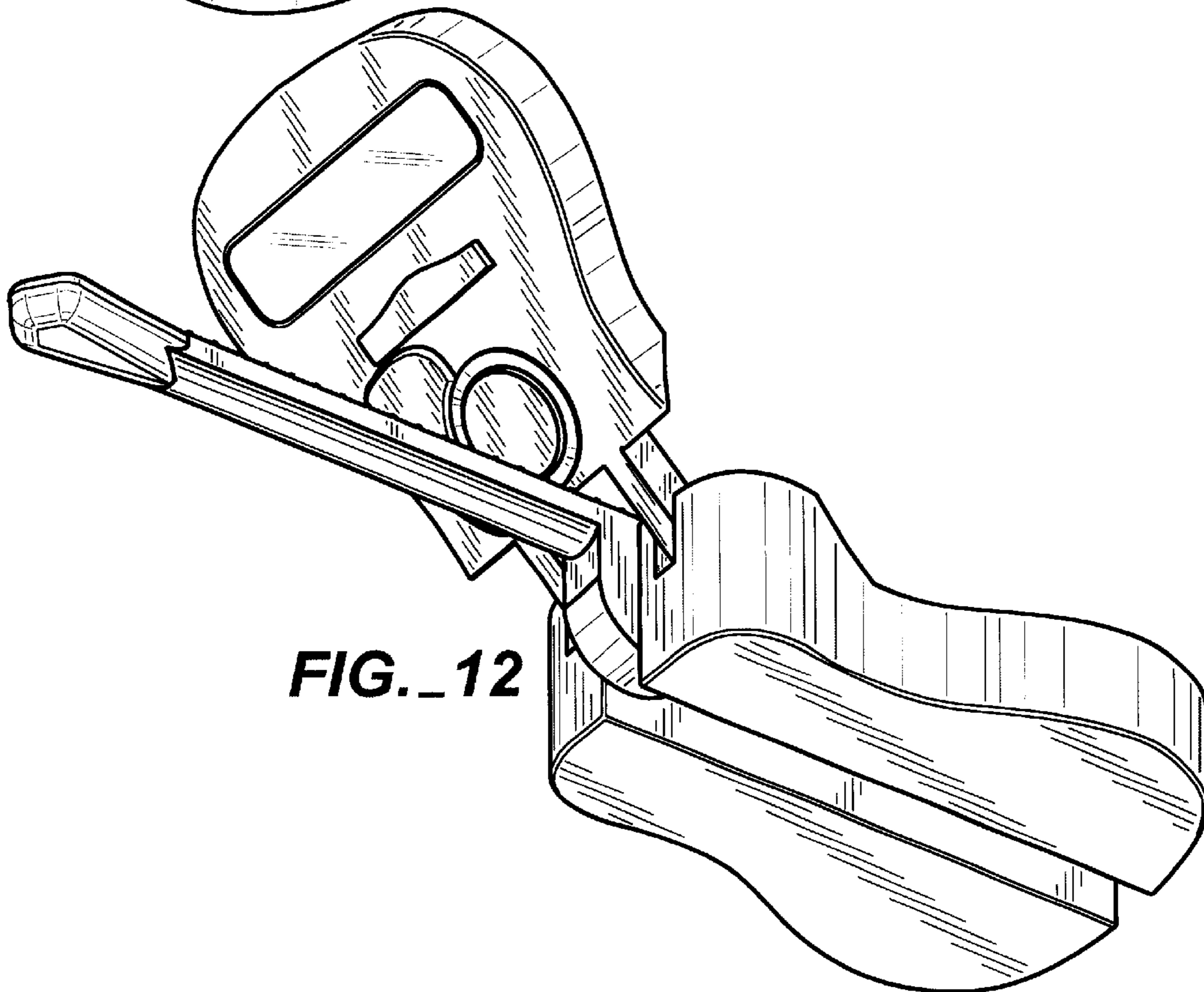


FIG. 12