



US00D526304S

(12) **United States Design Patent**
Beard

(10) **Patent No.:** **US D526,304 S**

(45) **Date of Patent:** **** Aug. 8, 2006**

(54) **CELL PHONE HOUSING**

6,052,567 A * 4/2000 Ito et al. 455/575.7
D424,051 S * 5/2000 Wicks et al. D14/138

(76) Inventor: **Thomas E. Beard**, 4444 Moore La.,
Healdsburg, CA (US) 95448

(Continued)

(**) Term: **14 Years**

OTHER PUBLICATIONS

(21) Appl. No.: **29/228,115**

“Electric Guitar Phone”, 1 pg, page undated Mar. 9, 2001,
[online], <URL: HTTP://www.noveltytelephone.com/prod-
ucts/electricguitar.html> entered into Internet Archive Way-
BackMachine at <http://www.archive.org>.*

(22) Filed: **Apr. 20, 2005**

“Telemania Gibson Guitar Novelty Telephone”, 2 pages,
[online], URL: http://64.233.161.104/search?q=cache:
D4Sxokile9sJ:wantitnow.ebay.com/ws/eBayISAPI.dll%3F
WantItNowView%26adid%3D6461821697+guitar+
phone&hl=en>, cache as retrieved on Jan. 15, 2006.*

(51) **LOC (8) Cl.** **14-03**

(52) **U.S. Cl.** **D14/138; D14/143**

(58) **Field of Classification Search** D14/138,
D14/142, 143, 147, 148, 149, 151, 243, 249,
D14/251-253; D17/14; D21/405, 517; 455/90.3,
455/556.1, 556.2, 566, 575.1; 379/433.01-433.13,
379/434

See application file for complete search history.

Primary Examiner—Jeffrey D. Asch

Assistant Examiner—C. J. Wright

(74) *Attorney, Agent, or Firm*—Johnson & Stainbrook LLP;
Craig M. Stainbrook; Larry D. Johnson

(56) **References Cited**

(57) **CLAIM**

U.S. PATENT DOCUMENTS

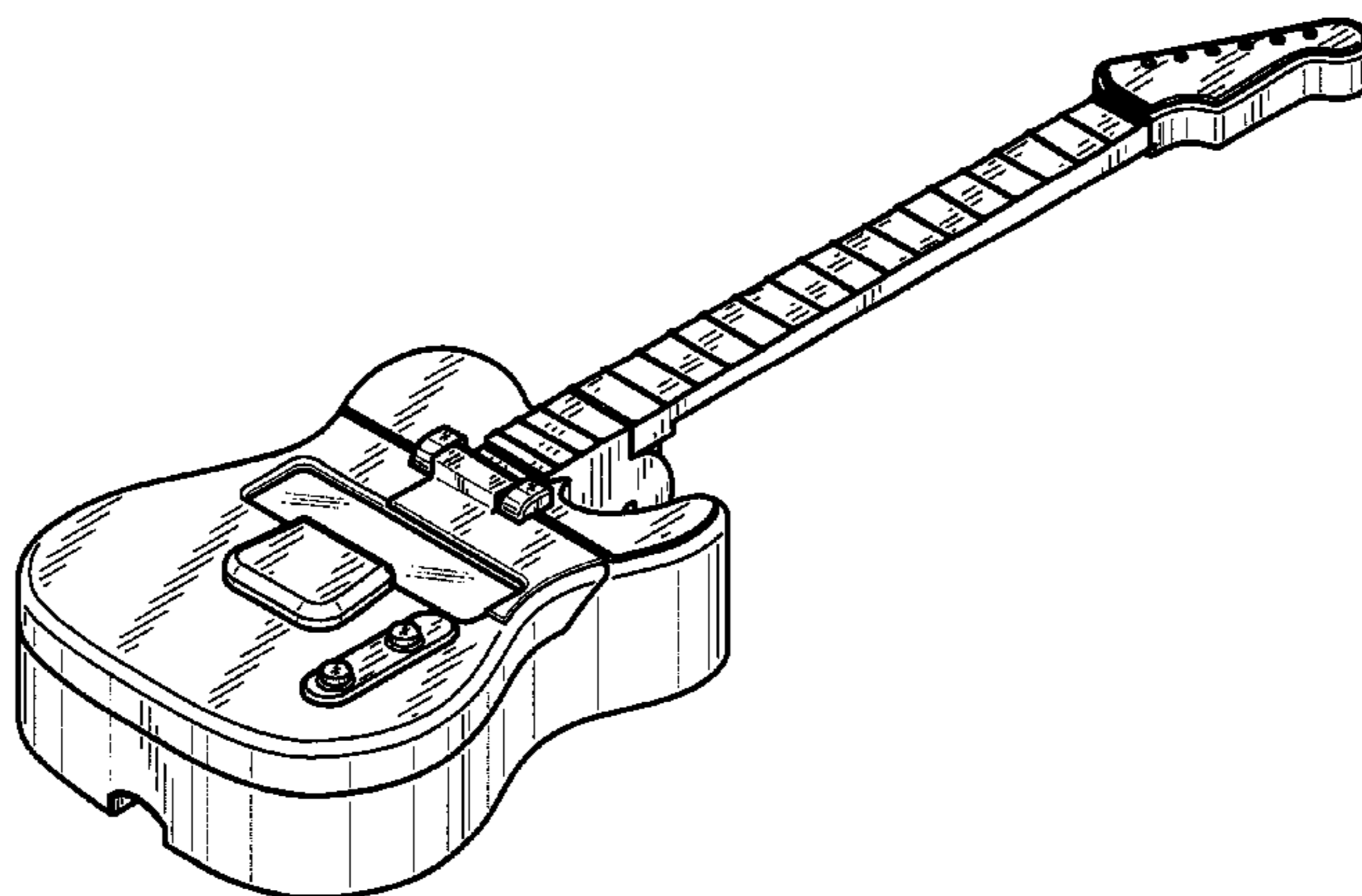
The ornamental design for a cell phone housing, as shown
and described.

D164,227 S	*	8/1951	Fender	D17/14
D197,627 S	*	3/1964	Burns	D17/14
D215,354 S	*	9/1969	Broussard	D17/14
D248,254 S	*	6/1978	Miller	D26/94
D258,290 S	*	2/1981	Hayashi	D17/14
D258,363 S	*	2/1981	Weindel et al.	D17/1
D258,739 S	*	3/1981	Todd, III	D17/14
D269,180 S	*	5/1983	Ridings	D14/189
D274,733 S	*	7/1984	Hampton et al.	D17/14
D276,722 S	*	12/1984	Festa	D14/143
D280,521 S	*	9/1985	Wechter	D17/19
D286,400 S	*	10/1986	Moller	D14/143
D350,744 S	*	9/1994	Hino	D14/138
D371,126 S	*	6/1996	Bro	D14/138
D373,127 S	*	8/1996	Godee et al.	D14/248
5,555,449 A	*	9/1996	Kim	455/575.7
5,706,332 A	*	1/1998	Nagai	455/575.3
5,715,311 A	*	2/1998	Sudo et al.	379/433.01
D396,464 S	*	7/1998	Bradford	D14/138
D406,587 S	*	3/1999	Wicks et al.	D14/138
5,940,503 A	*	8/1999	Palett et al.	379/454
D415,150 S	*	10/1999	Hasegawa et al.	D14/138
5,982,883 A	*	11/1999	Alix et al.	379/433.12
6,052,464 A	*	4/2000	Harris et al.	379/433.07

DESCRIPTION

FIG. 1 is a lower right front perspective view in off mode.
FIG. 2 is an upper left rear perspective view in off mode.
FIG. 3 is a lower right front perspective view in answer
mode.
FIG. 4 is an upper left rear perspective view in answer mode.
FIG. 5 is a front elevational view.
FIG. 6 is a right side elevational view.
FIG. 7 is a rear elevational view.
FIG. 8 is a left side elevational view.
FIG. 9 is a top plan view.
FIG. 10 is a bottom plan view.
FIG. 11 is a lower right front perspective view in open mode;
and,
FIG. 12 is an upper left rear perspective view in open mode.
The broken line showing of the keypad buttons in FIG. 11
is for illustrative purposes only and forms no part of the
claimed design.

1 Claim, 6 Drawing Sheets



US D526,304 S

Page 2

U.S. PATENT DOCUMENTS

6,101,402	A	*	8/2000	Bartha et al.	455/569.1	D483,794	S	*	12/2003	Kwon	D17/14
6,137,883	A	*	10/2000	Kaschke et al.	379/433.07	D496,958	S	*	10/2004	Amiya	D17/14
6,192,221	B1	*	2/2001	Hasegawa	455/575.3	D509,200	S	*	9/2005	Harris	D14/138
D460,953	S	*	7/2002	Argle et al.	D14/138	D510,333	S	*	10/2005	Lodato et al.	D14/138

* cited by examiner

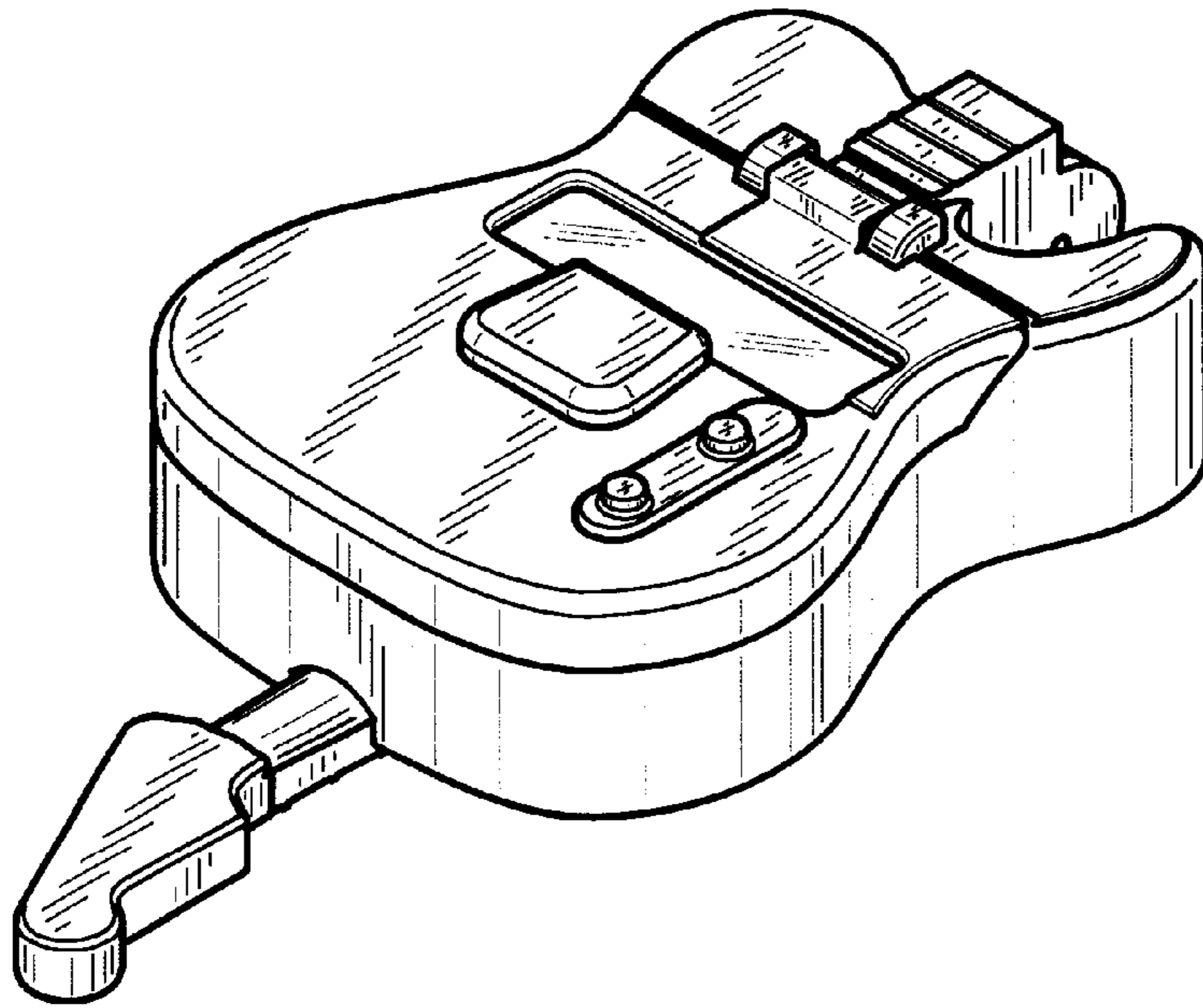


FIG. 1

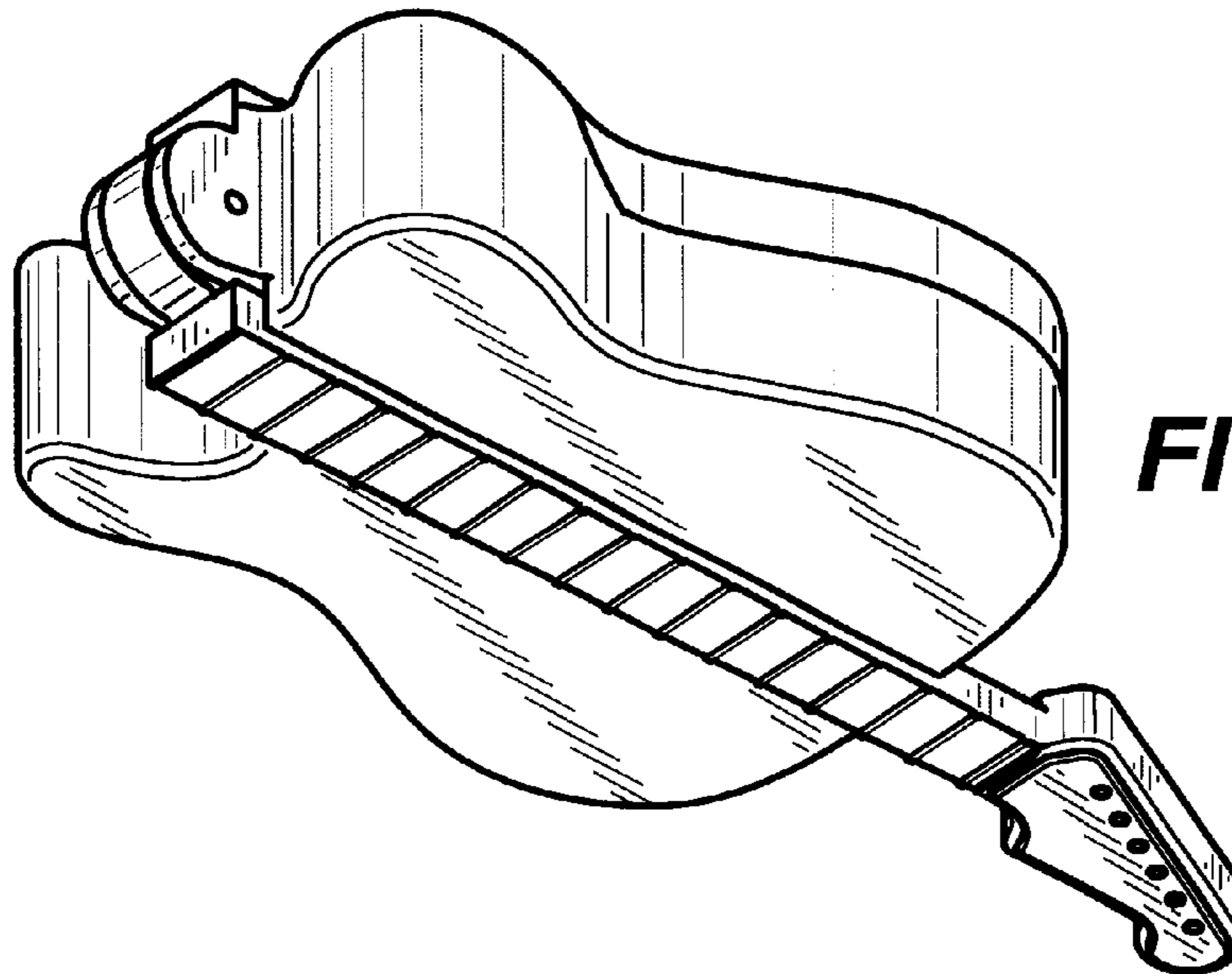


FIG. 2

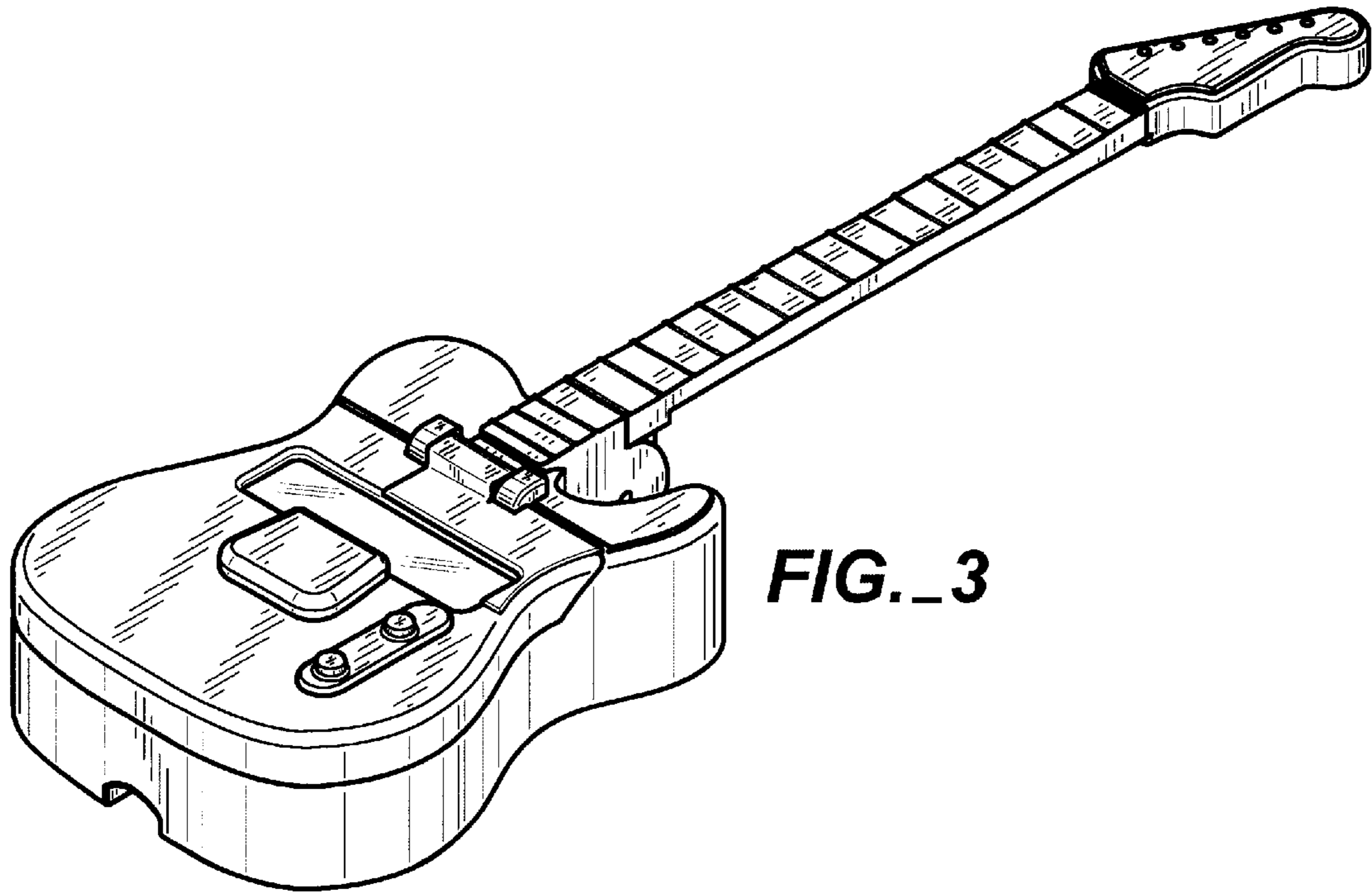


FIG._3

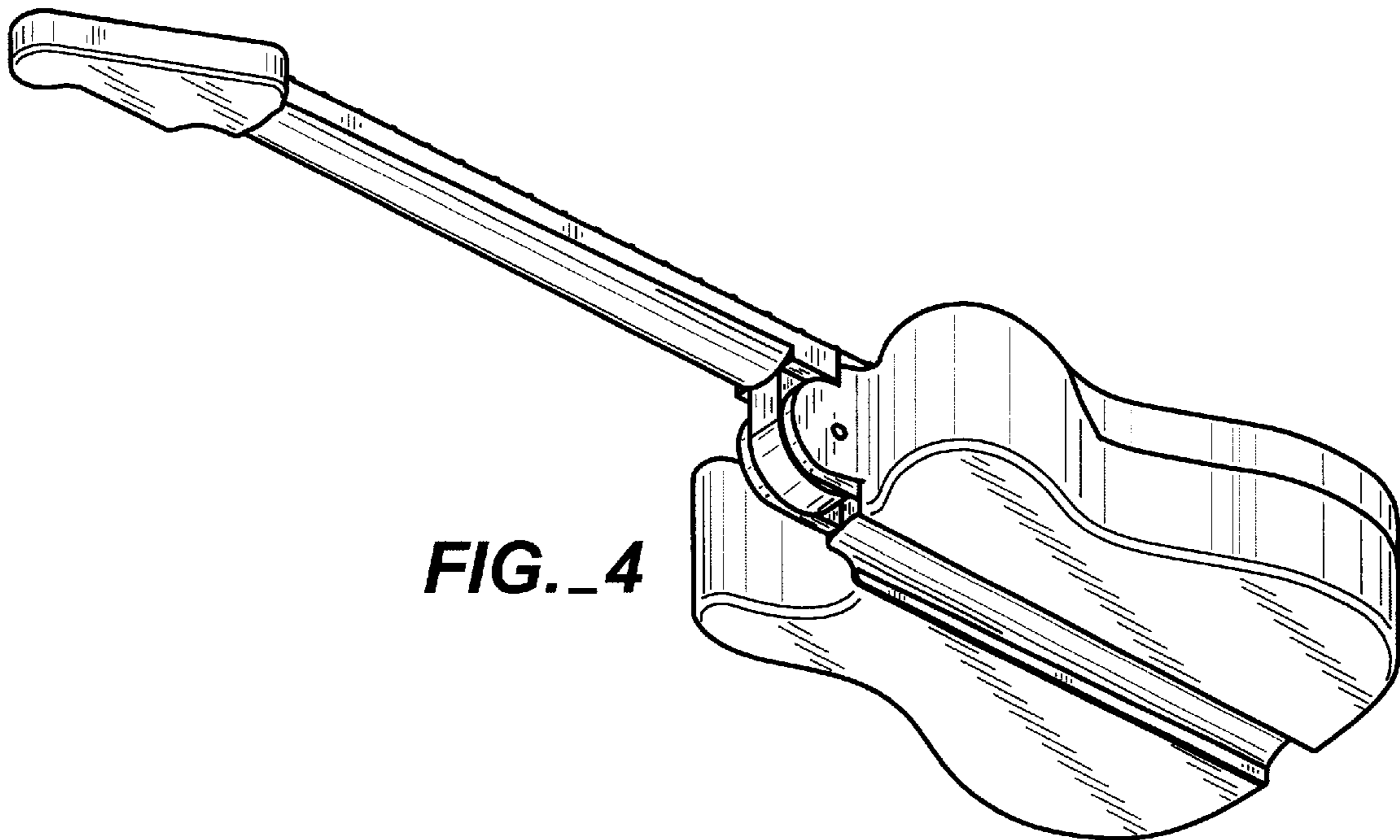


FIG._4

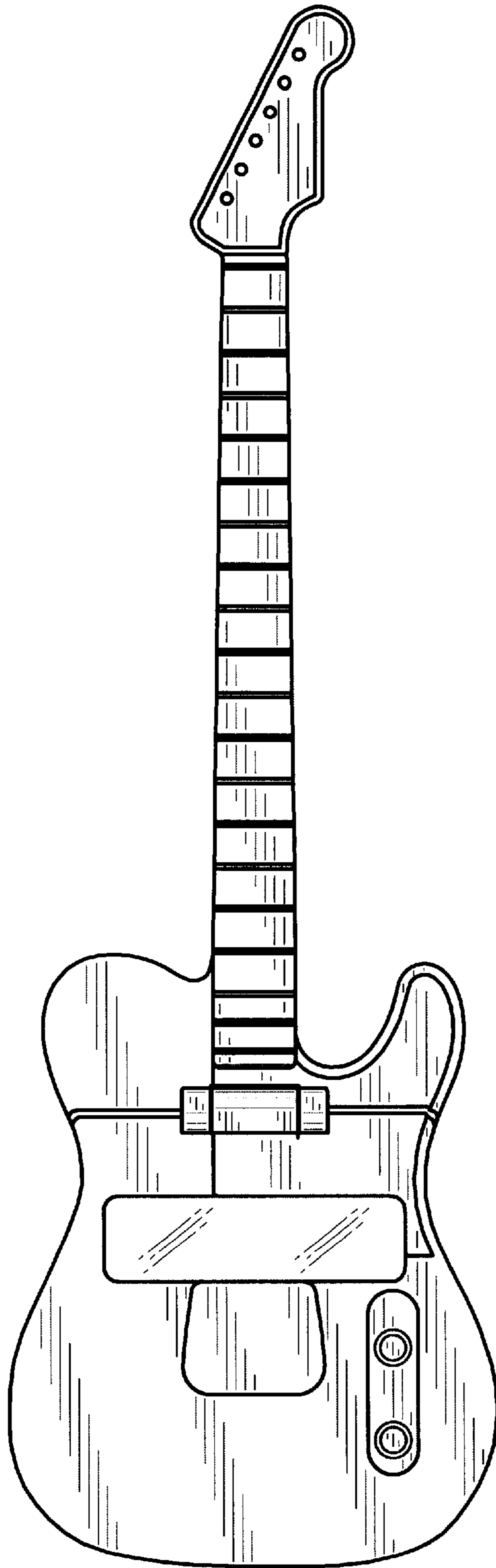


FIG._5

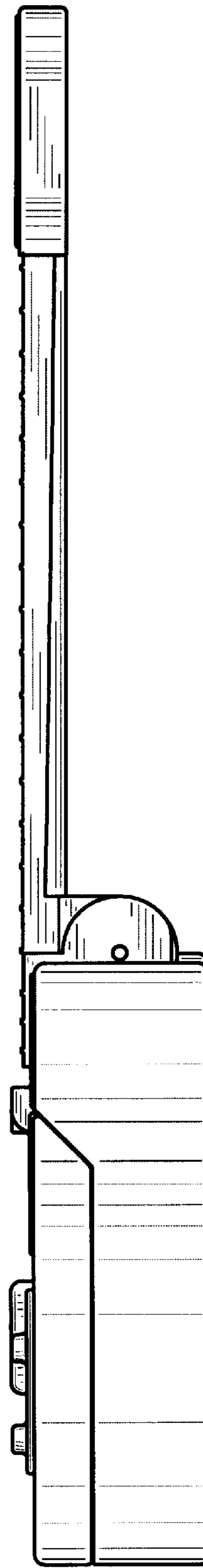


FIG._6

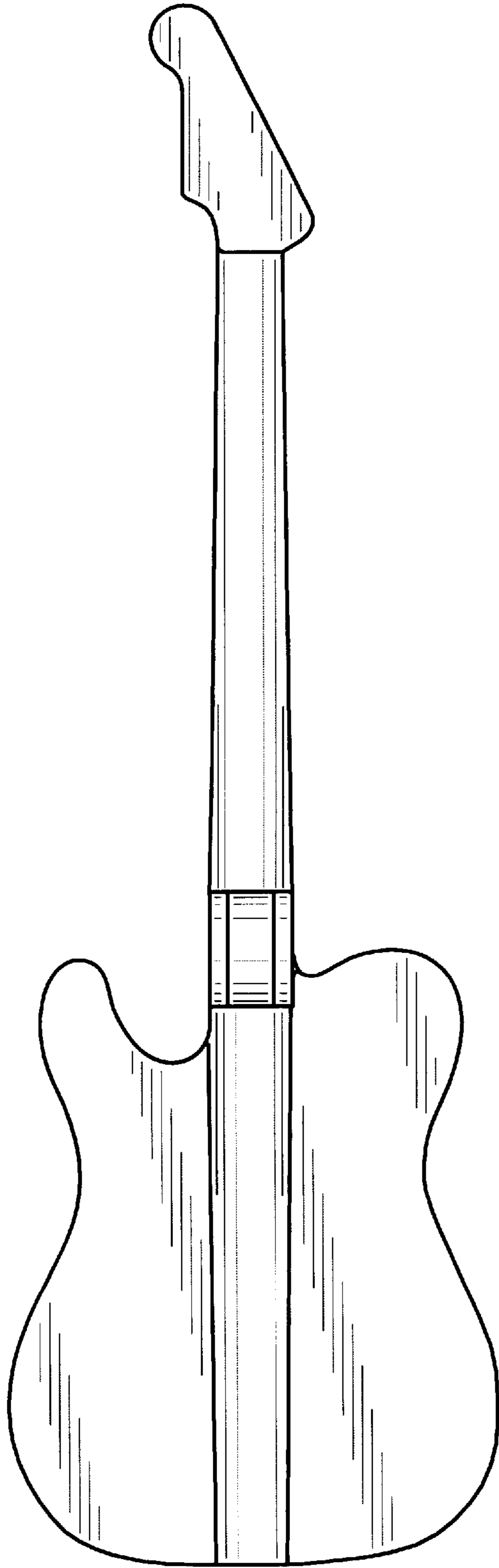


FIG._7

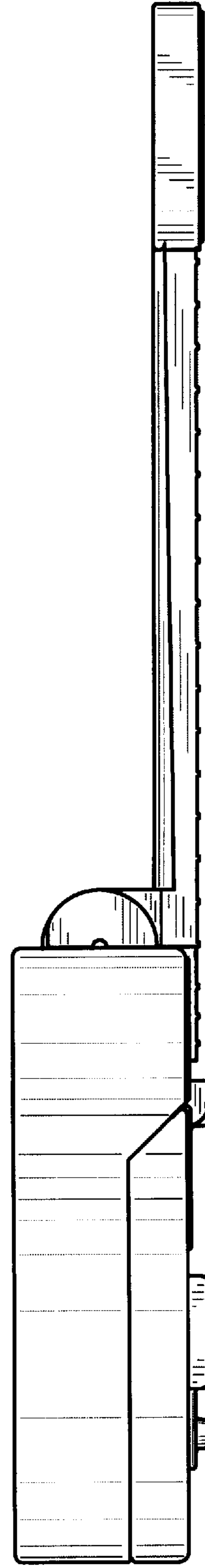


FIG._8

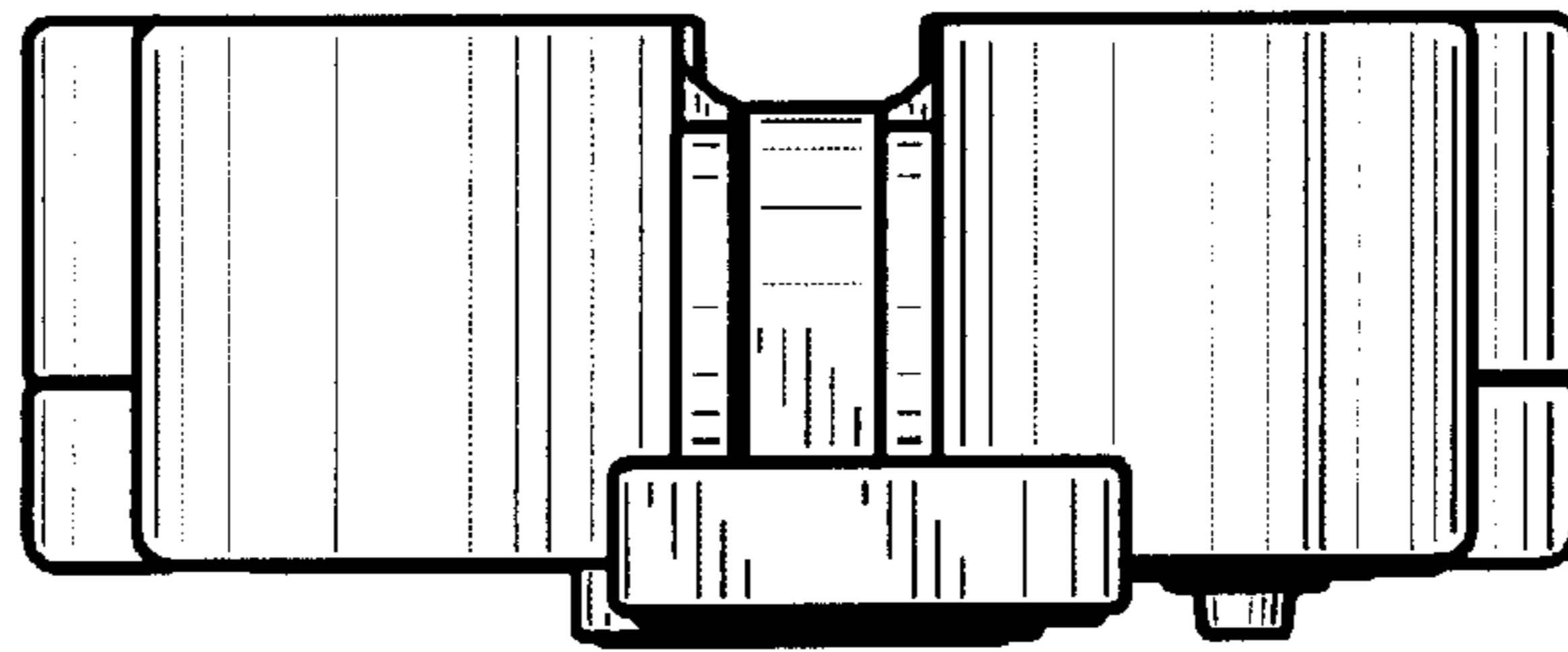


FIG._9

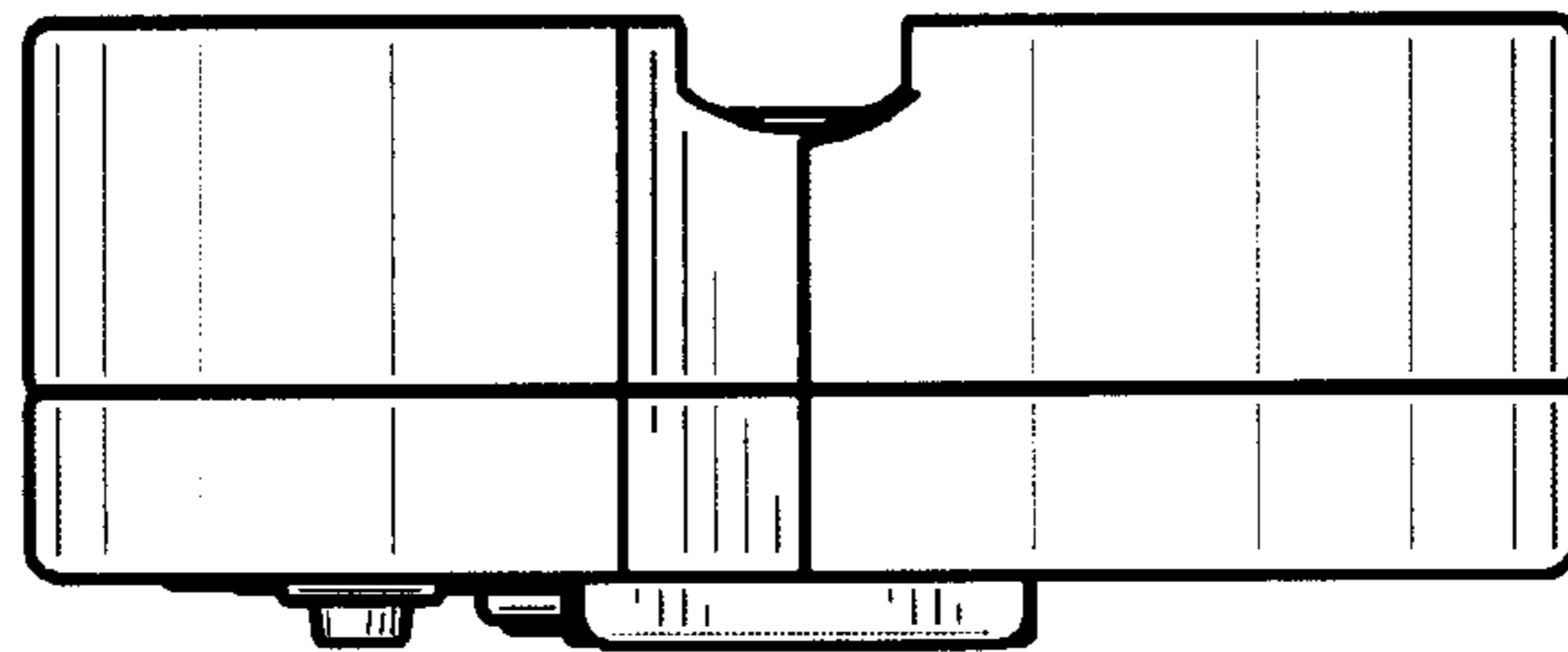


FIG._10

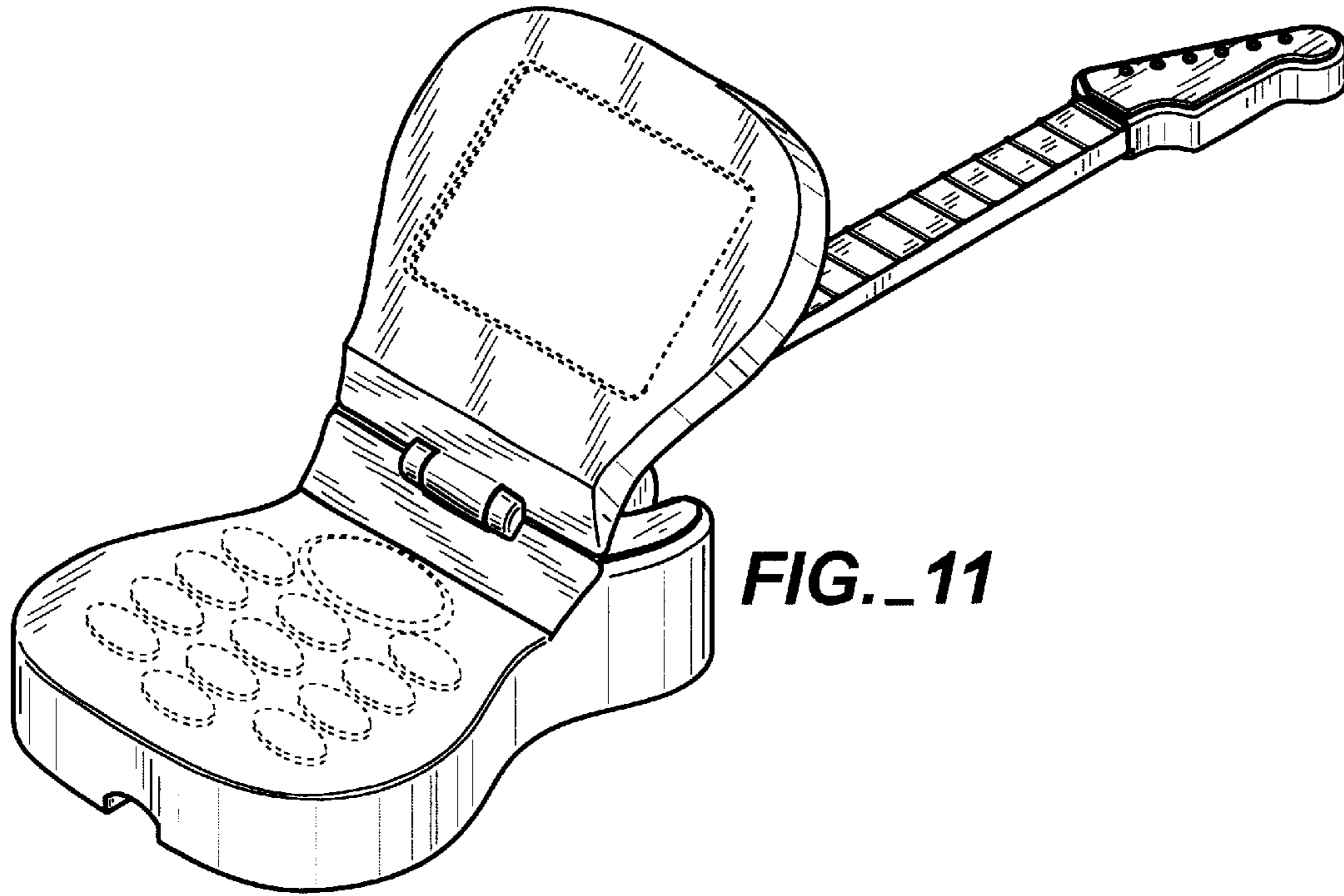


FIG. 11

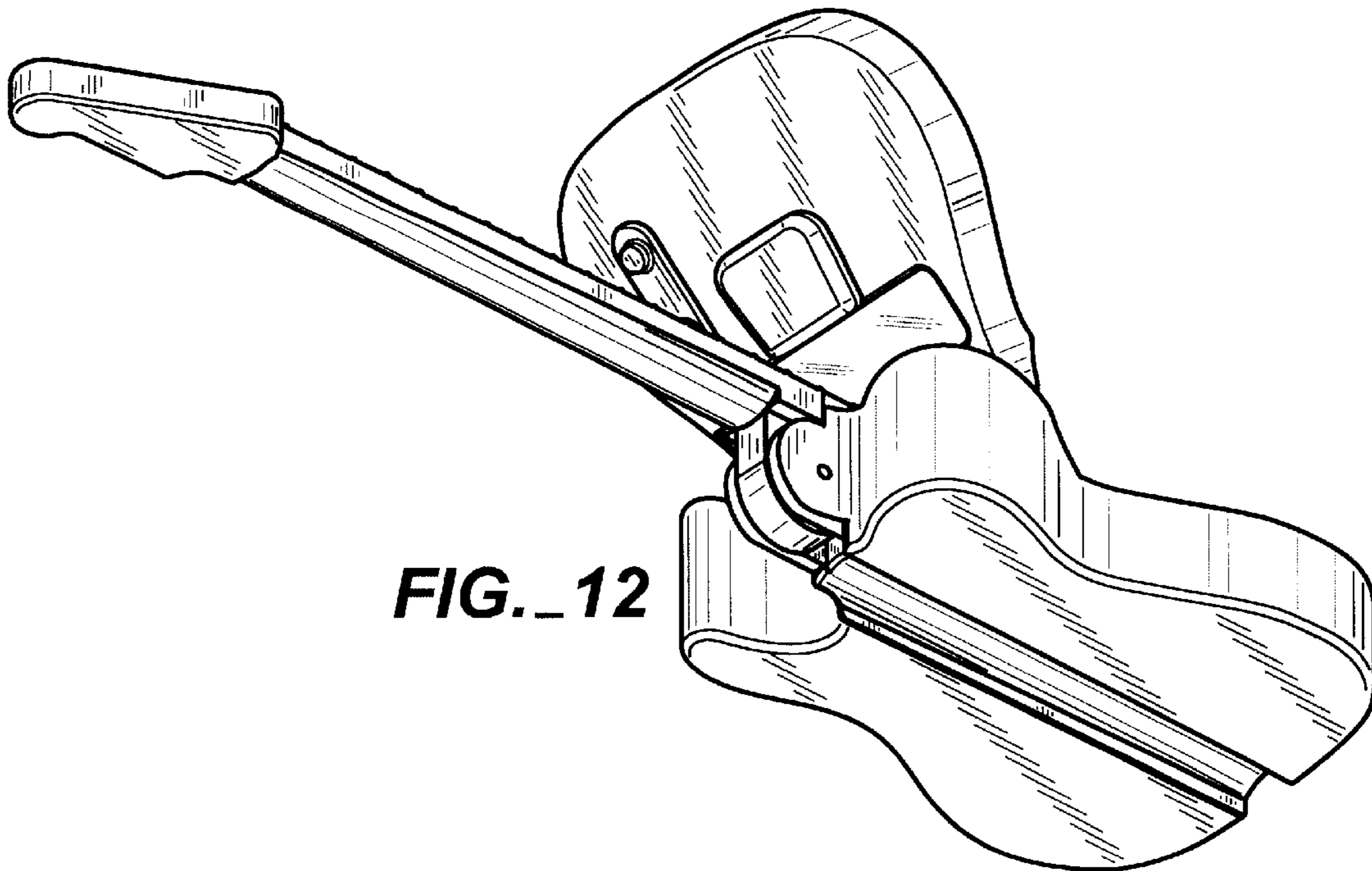


FIG. 12