



US00D526303S

(12) **United States Design Patent**  
**Kim et al.**

(10) **Patent No.:** **US D526,303 S**

(45) **Date of Patent:** **\*\* Aug. 8, 2006**

(54) **CELLULAR PHONE**

FOREIGN PATENT DOCUMENTS

(75) Inventors: **Jin-Soo Kim**, Seoul (KR); **Nam-Mi Kim**, Seoul (KR); **Chang-Hwan Hwang**, Goyang-si (KR)

JP 1088577 \* 10/2000

(73) Assignee: **Samsung Electronics Co., Ltd.** (KR)

OTHER PUBLICATIONS

(\*\*) Term: **14 Years**

“Samsung D428”, 2 pp including photo, [online], <URL:www.gsmarena.com/samsung\_d428-1005.php>, site visited Mar. 12, 2006.\*

(21) Appl. No.: **29/226,978**

“Siemens CF110”, 3 pp including photo, [online], <URL:www.gsmarena.com/siemens\_cf110-1248.php>, site visited Mar. 12, 2006.\*

(22) Filed: **Apr. 5, 2005**

“LG V9000”, 2 pp including photo, [online], <URL:www.gsmarena.com/lg\_v9000-1469.php>, site visited Mar. 12, 2006.\*

(30) **Foreign Application Priority Data**

“Samsung Z130”, 3 pp including photo, [online], <URL:www.gsmarena.com/samsung\_z130-1051.php>, site visited Mar. 12, 2006.\*

Dec. 8, 2004 (KR) ..... 30-2004-0037610

“Siemens SK65”, 2 pp including photo, [online], <URL:www.gsmarena.com/siemens\_sk65-861.php>, site visited Mar. 12, 2006.\*

(51) **LOC (8) Cl.** ..... **14-03**

(52) **U.S. Cl.** ..... **D14/138**

(58) **Field of Classification Search** ..... D14/137, D14/138, 144, 147-148, 247-248, 341-347; D16/208; 379/433.01-433.13; 455/575.4, 455/566, 575.1, 556.1, 556.2, 90.3  
See application file for complete search history.

*Primary Examiner*—Jeffrey Asch

*Assistant Examiner*—Carla Jobe Wright

(74) *Attorney, Agent, or Firm*—Cantor Colburn LLP

(56) **References Cited**

U.S. PATENT DOCUMENTS

(57) **CLAIM**

D466,096 S	*	11/2002	Takada	.....	D14/138
6,822,871 B1	*	11/2004	Lee et al.	.....	361/727
D502,162 S	*	2/2005	Kim et al.	.....	D14/138
D502,932 S	*	3/2005	Minamide	.....	D14/138
D508,240 S	*	8/2005	Lee et al.	.....	D14/138
D508,473 S	*	8/2005	Lee et al.	.....	D14/138
D508,688 S	*	8/2005	Lee et al.	.....	D14/138
D509,202 S	*	9/2005	Lee et al.	.....	D14/138
D509,215 S	*	9/2005	Han et al.	.....	D14/343
D509,815 S	*	9/2005	Jang	.....	D14/138
D511,342 S	*	11/2005	Chien	.....	D14/346
D512,702 S	*	12/2005	Lee et al.	.....	D14/138
D513,741 S	*	1/2006	Jensfelt	.....	D14/138
D514,079 S	*	1/2006	Lai	.....	D14/138
D515,060 S	*	2/2006	Lee et al.	.....	D14/138
2002/0102946 A1	*	8/2002	SanGiovanni	.....	455/90
2004/0203535 A1	*	10/2004	Kim et al.	.....	455/90.3

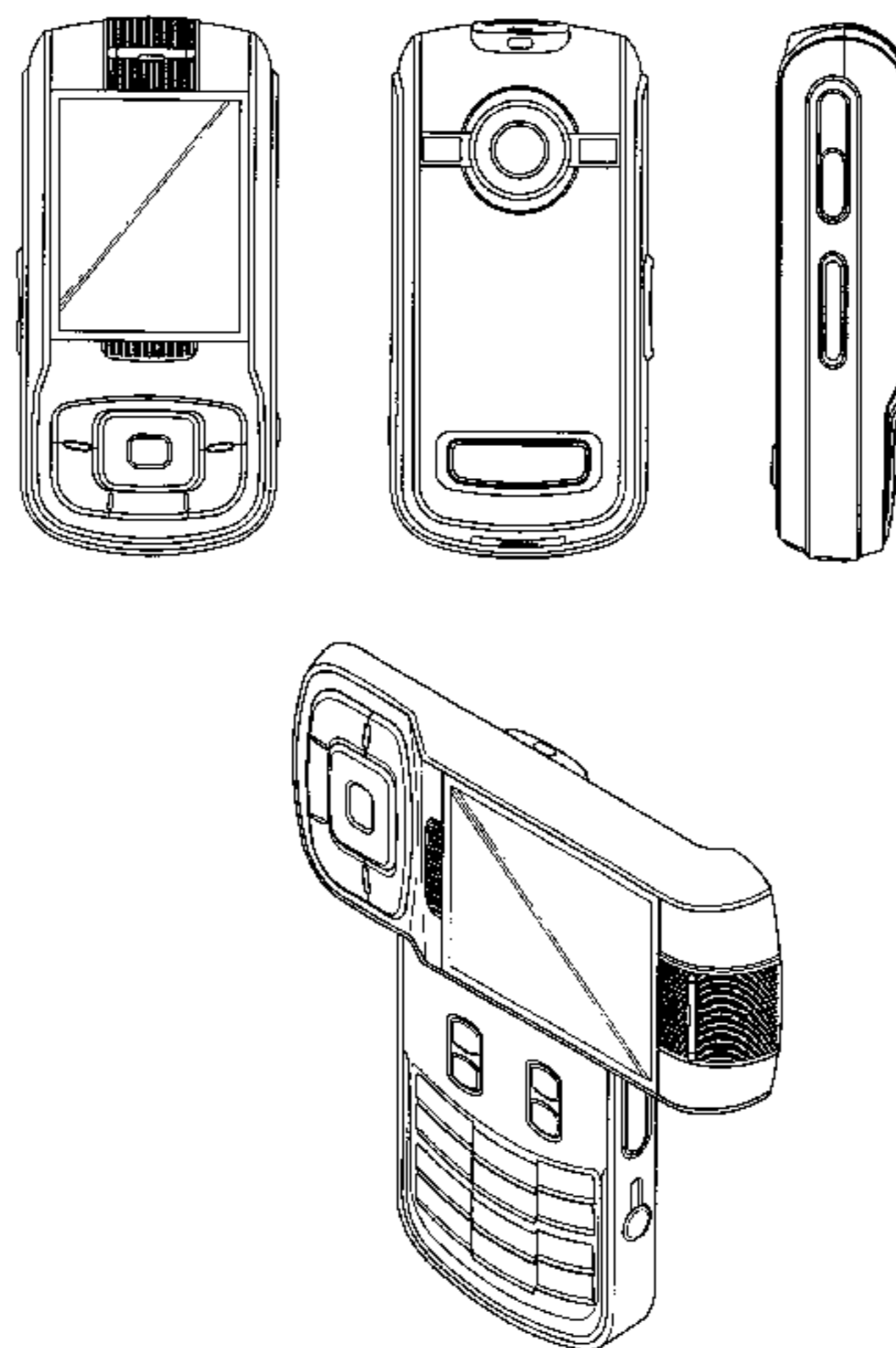
I claim, the ornamental design for a cellular phone, as shown and described.

**DESCRIPTION**

FIG. 1 is a top and front perspective view of a cellular phone, showing our new design;  
FIG. 2 is a front elevational view thereof;  
FIG. 3 is a rear elevational view thereof;  
FIG. 4 is a left side elevational view thereof;  
FIG. 5 is a right side elevational view thereof;  
FIG. 6 is a top plan view thereof;  
FIG. 7 is a bottom plan view thereof; and,  
FIG. 8 is a top and front perspective view of the cellular phone in an alternate position.

(Continued)

**1 Claim, 4 Drawing Sheets**



# US D526,303 S

Page 2

---

## U.S. PATENT DOCUMENTS

2005/0107126	A1 *	5/2005	Kim .....	455/565	2005/0250532	A1 *	11/2005	Hwang et al. ....	455/550.1
2005/0137001	A1 *	6/2005	Bell et al. ....	455/575.4	2005/0255897	A1 *	11/2005	Lee et al. ....	455/575.4
2005/0202856	A1 *	9/2005	Park et al. ....	455/575.1	2006/0019728	A1 *	1/2006	Sakamoto et al. ....	455/575.3
2005/0245295	A1 *	11/2005	Lee et al. ....	455/575.1	2006/0025184	A1 *	2/2006	Cho et al. ....	455/575.4
2005/0245297	A1 *	11/2005	Lee et al. ....	455/575.4	2006/0030380	A1 *	2/2006	Pentinpuro .....	455/575.3

\* cited by examiner

FIG. 1

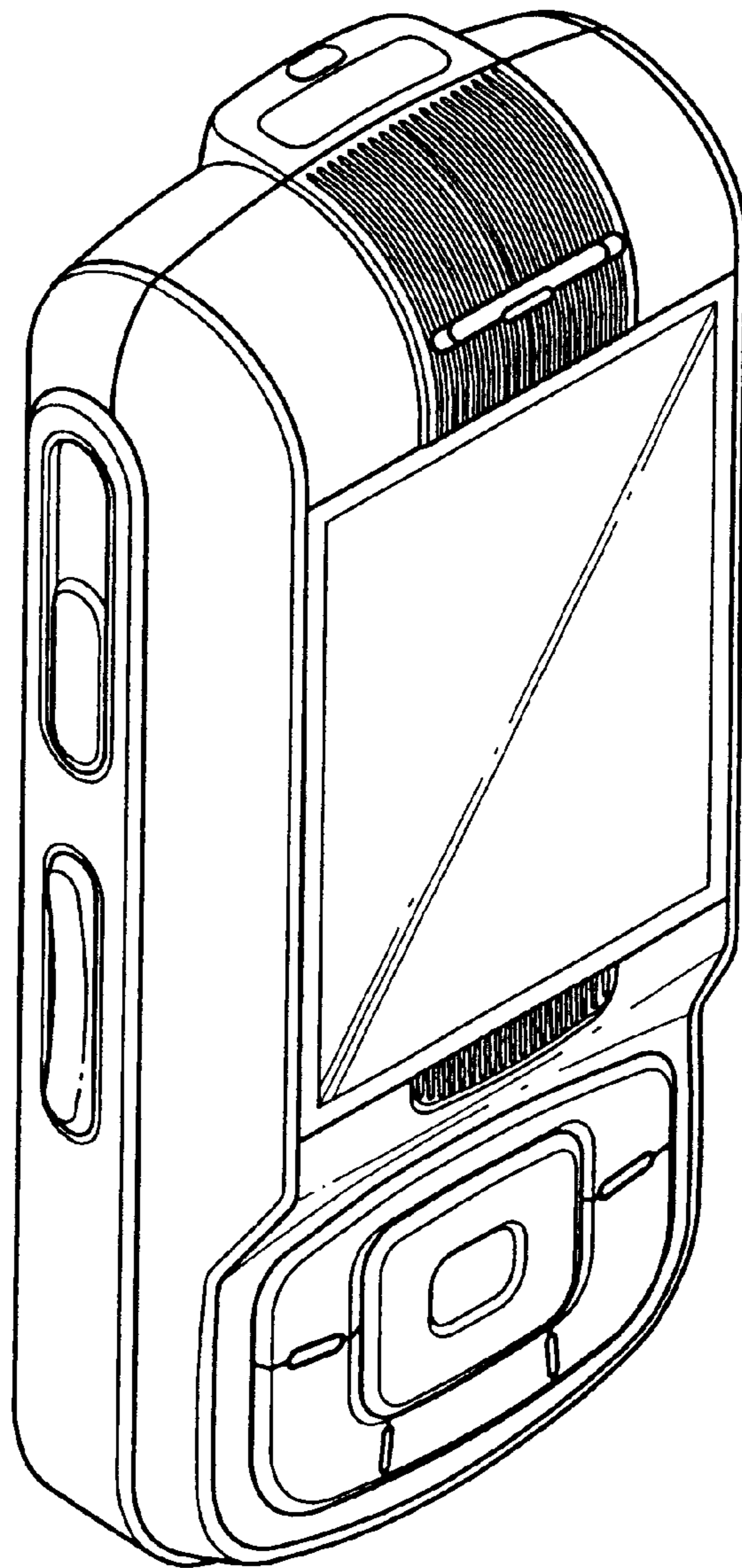


FIG.2

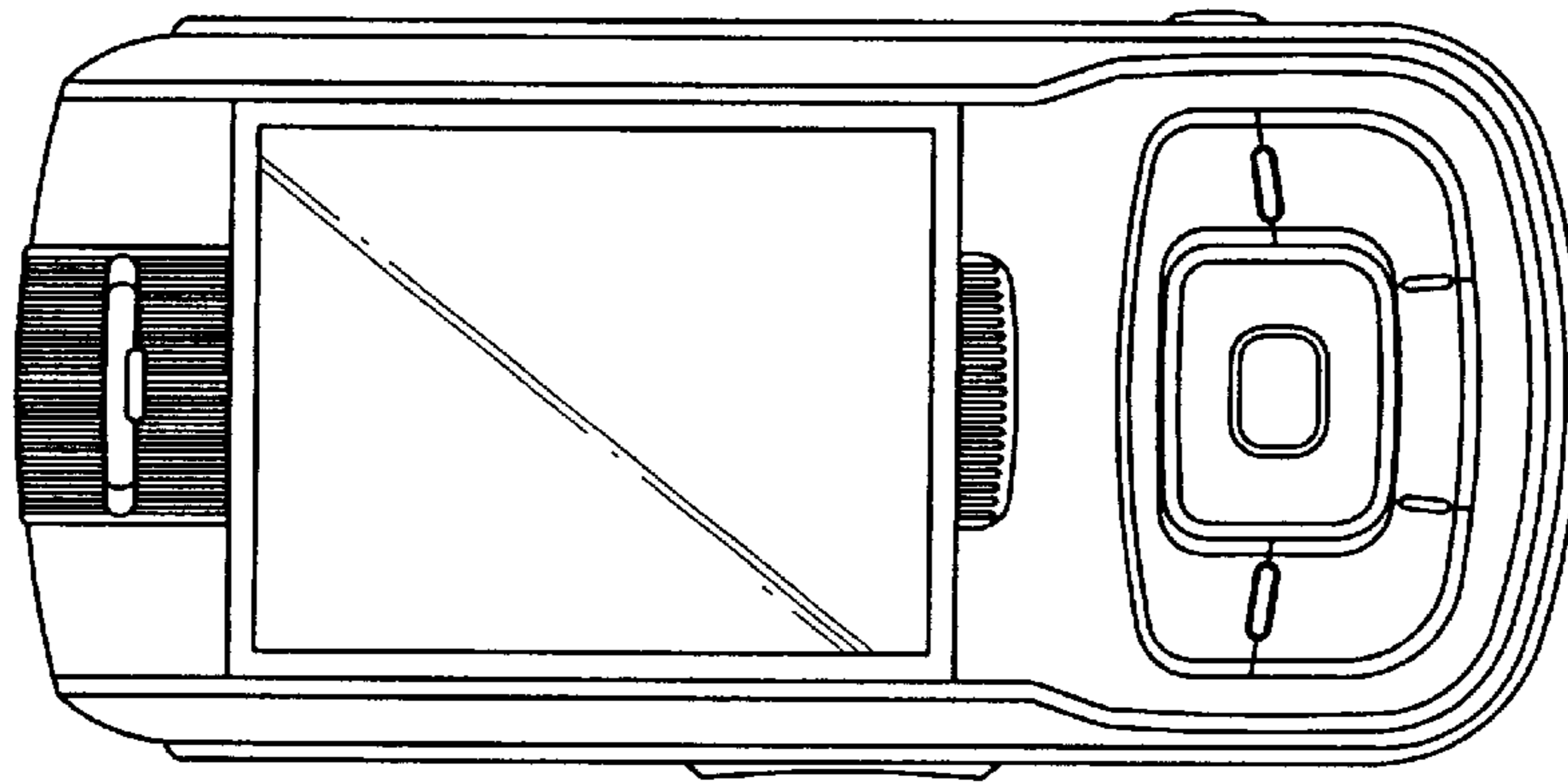


FIG.3

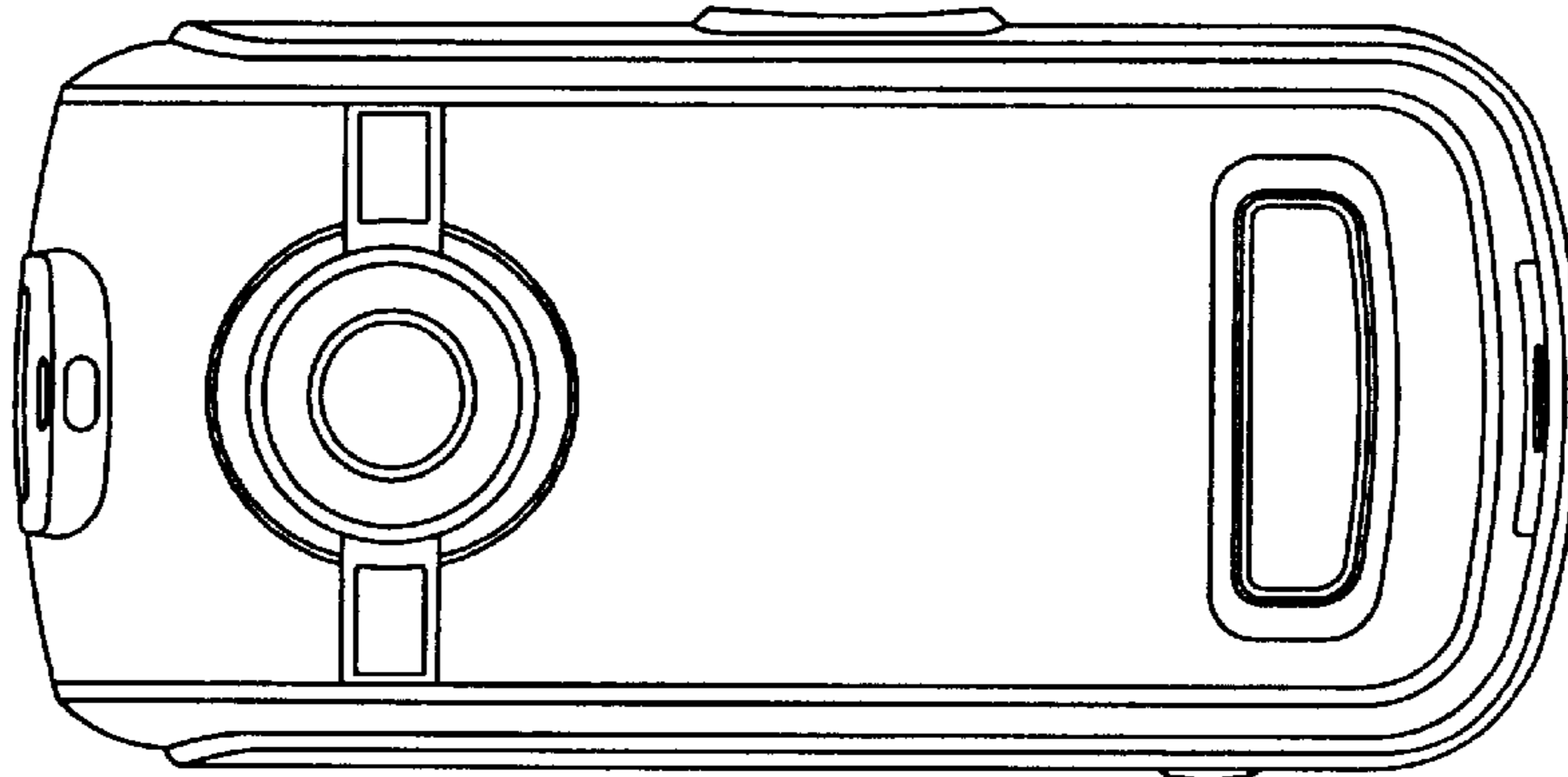


FIG.4

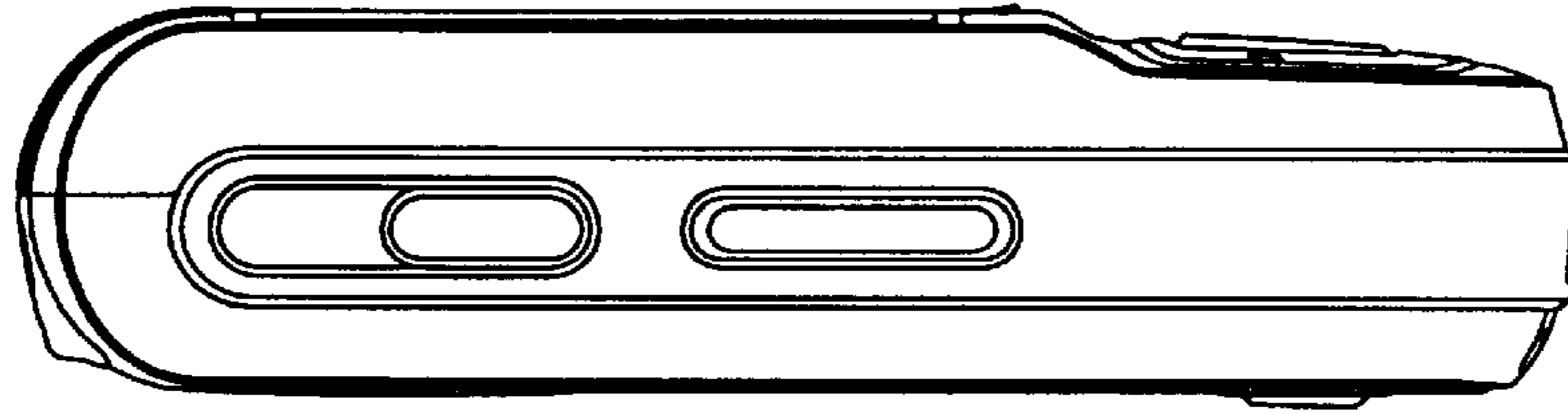


FIG.5

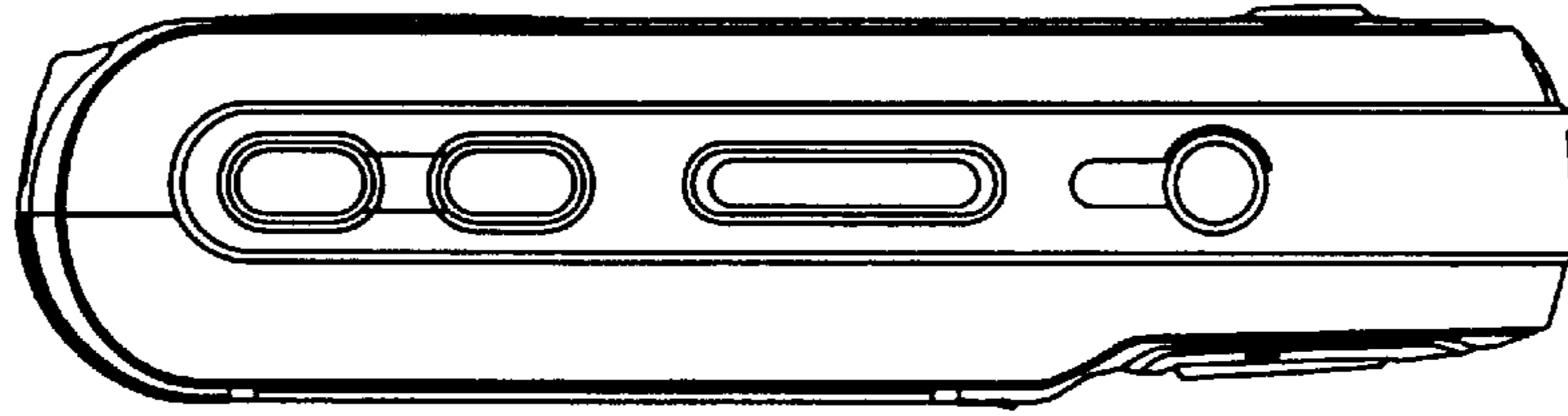


FIG. 6

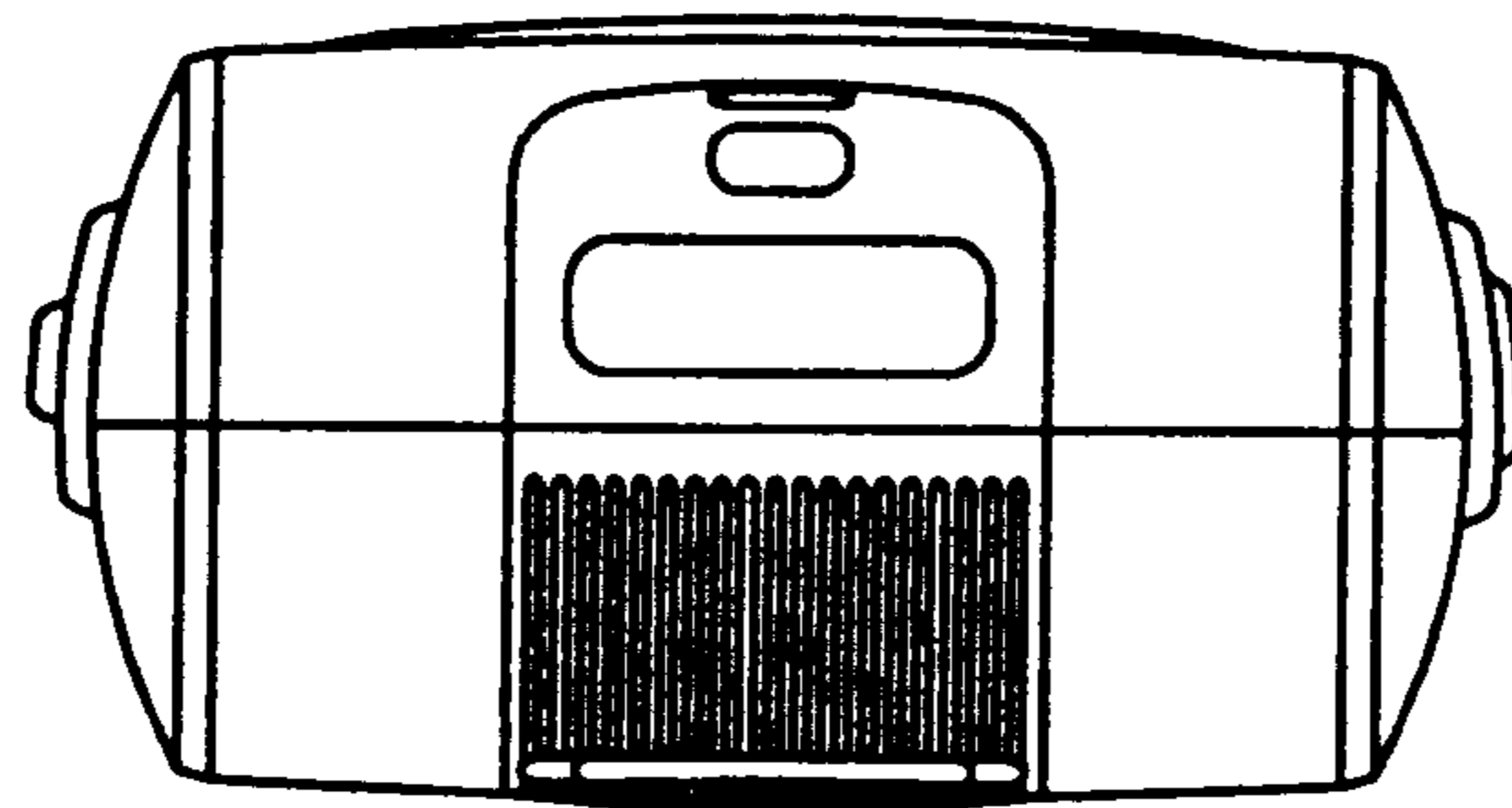


FIG. 7

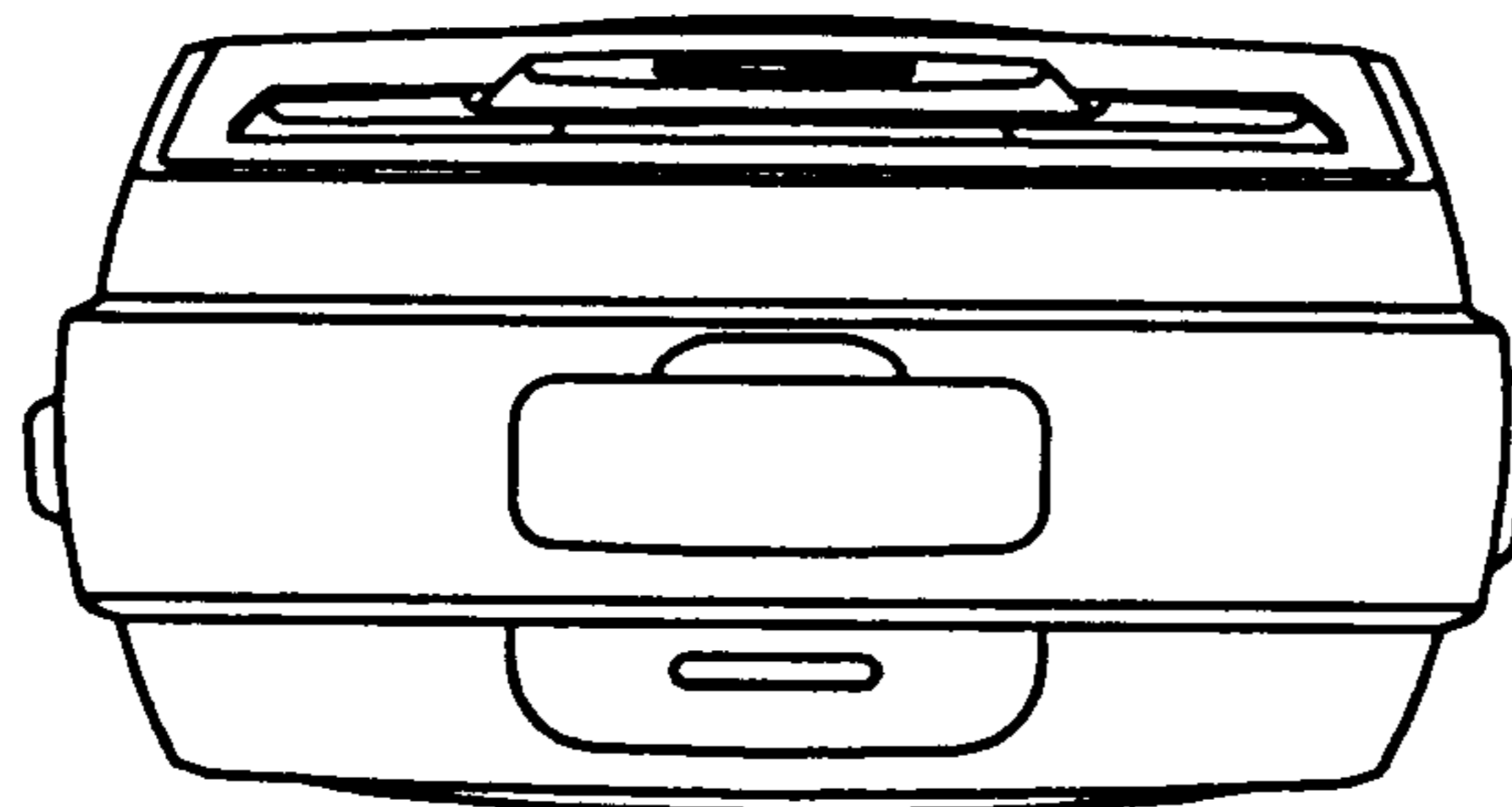


FIG. 8

